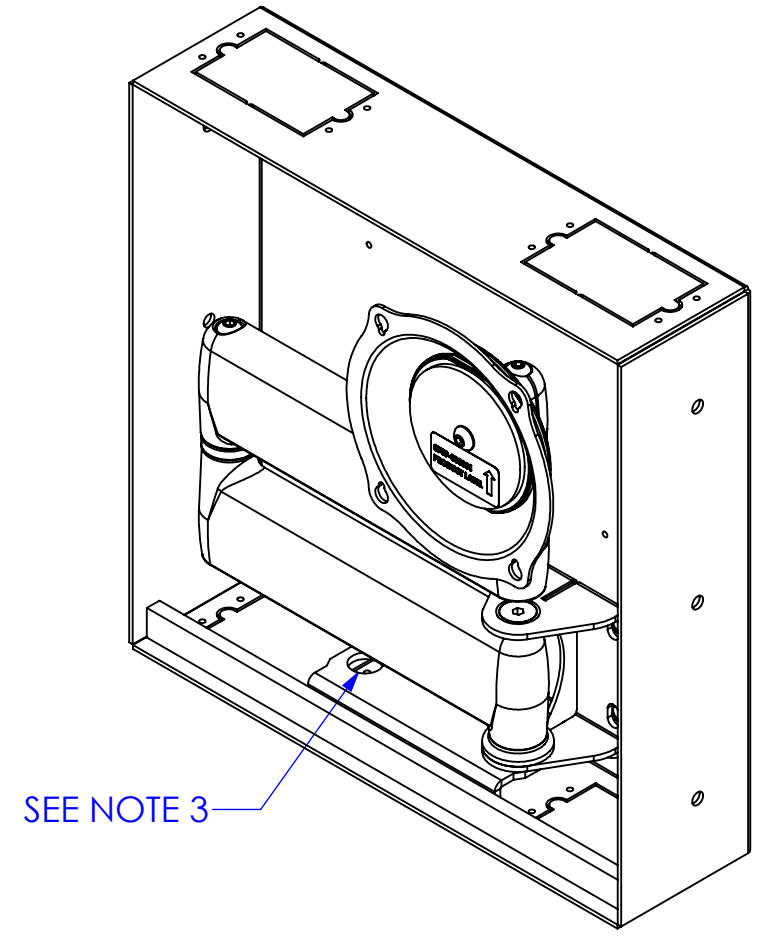
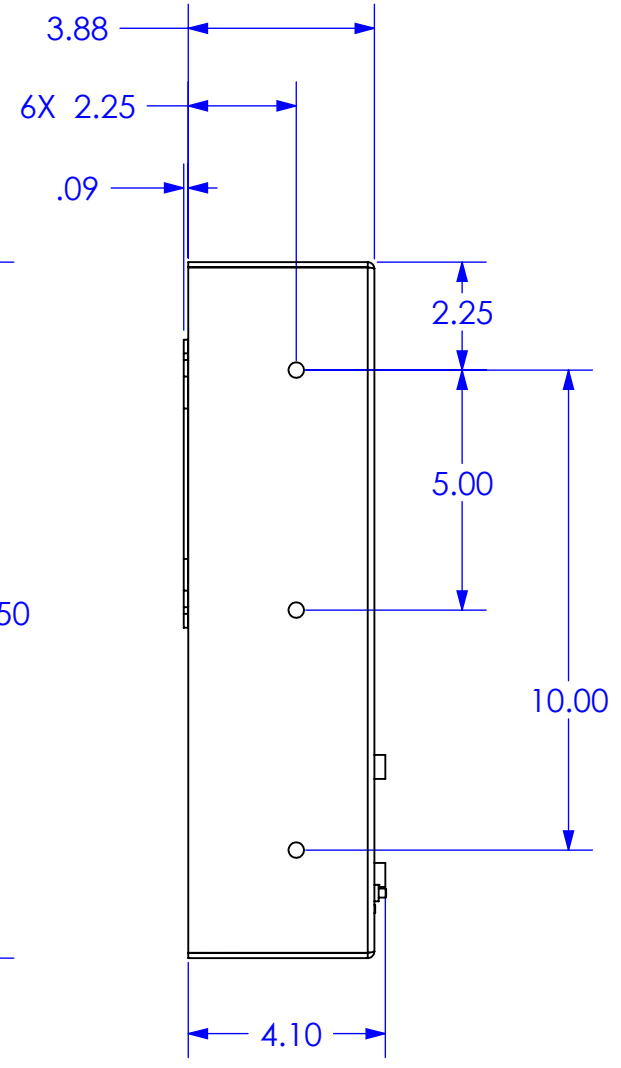
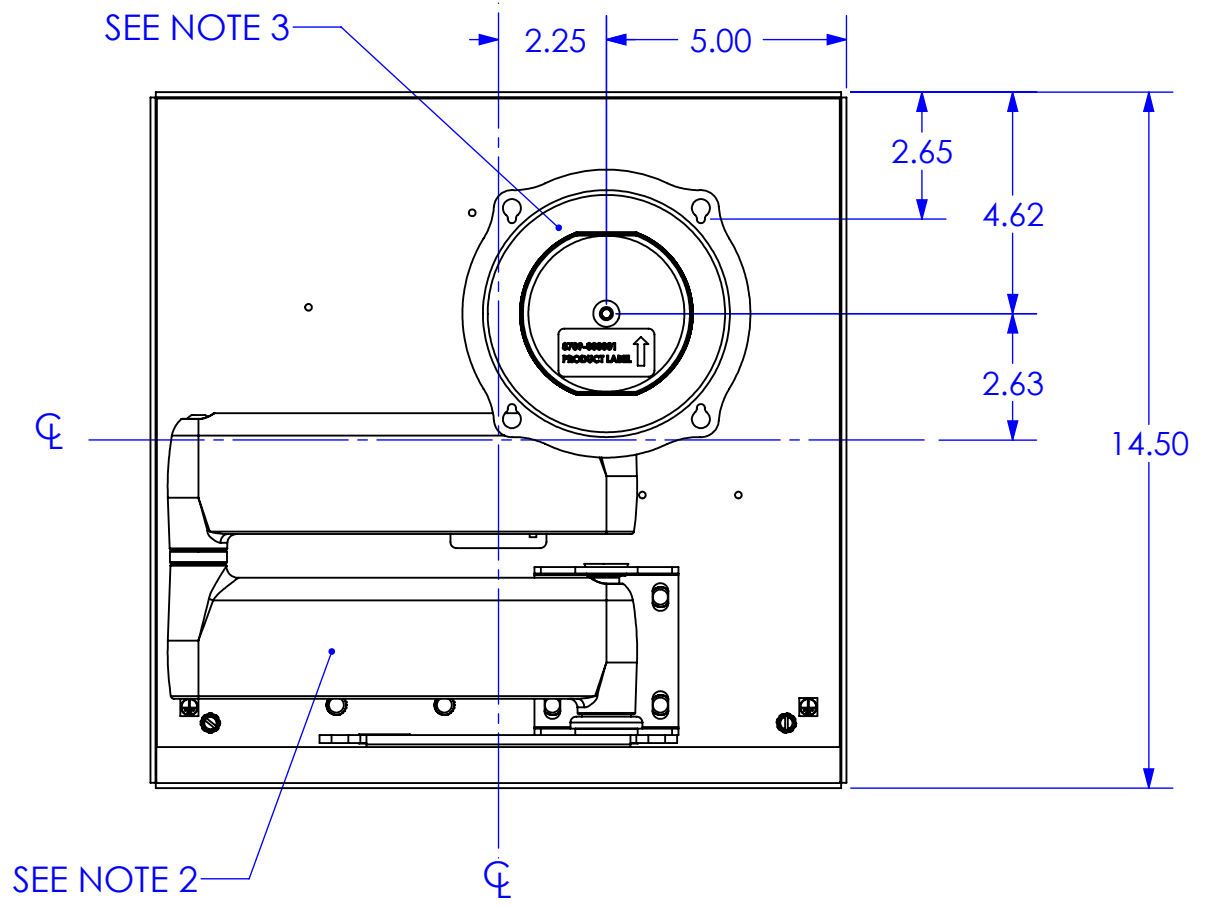
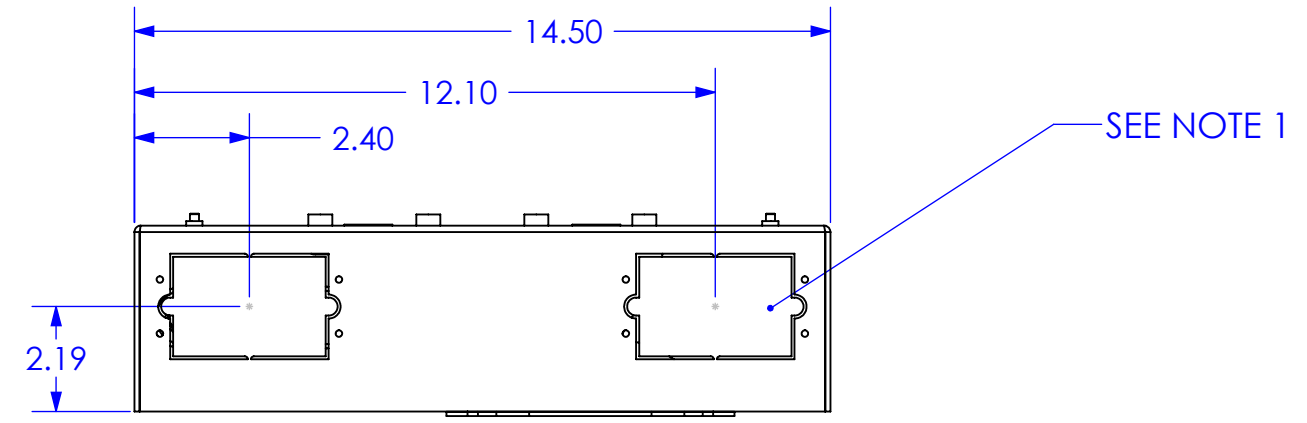


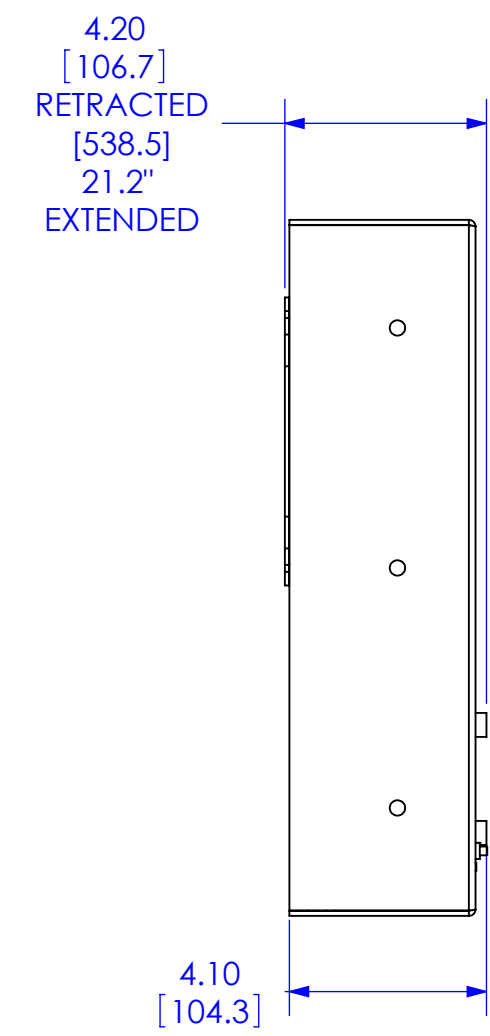
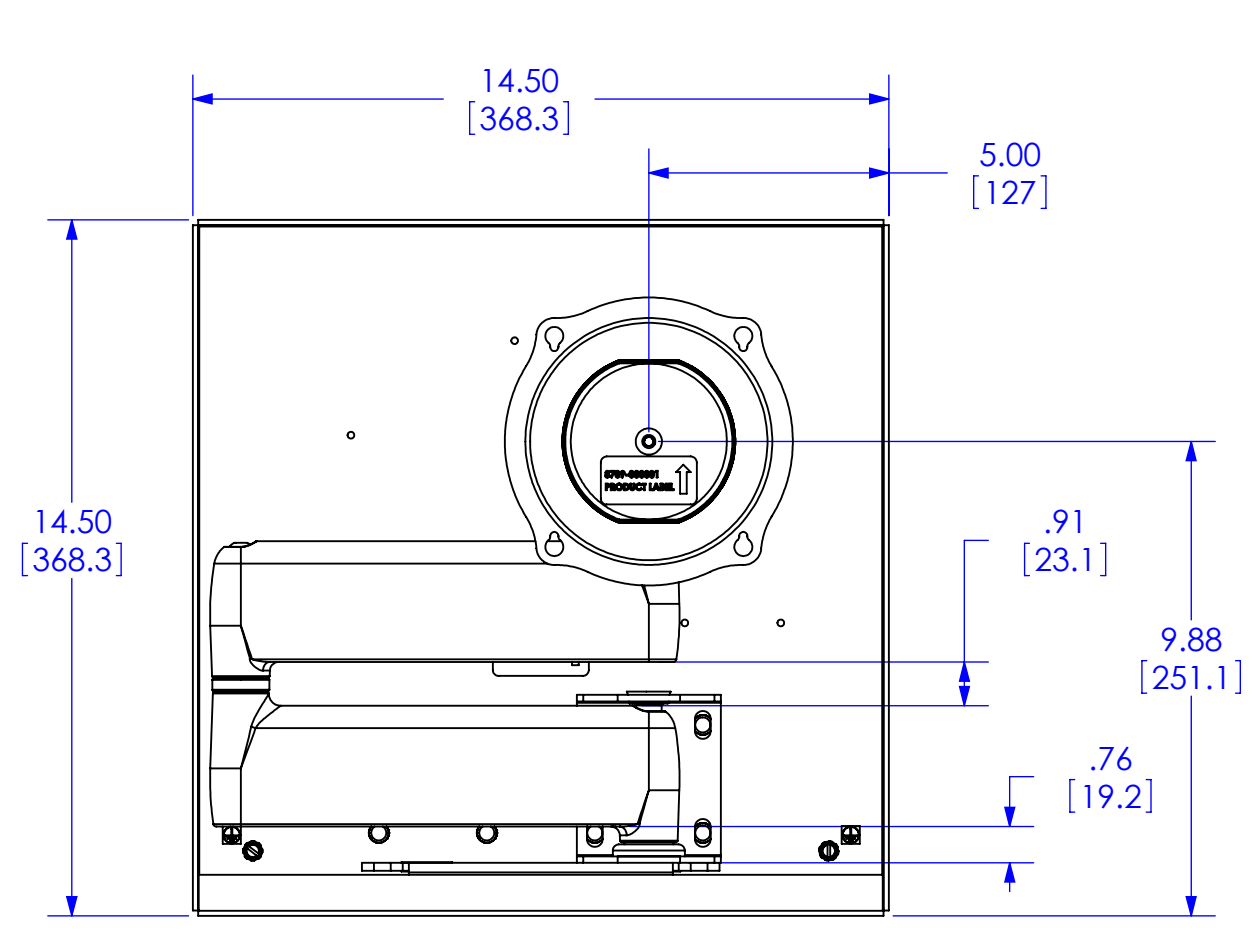
NOTES:

1. ELECTRICAL CUTOUTS DESIGNED TO FIT A SINGLE GANG RACO 590 STEEL CITY CY 1/2 OR SIMILAR STYLE ELECTRICAL BOX.
2. JWDIW SHOWN INSTALLED FOR CLARITY. JWDIW MUST BE PURCHASED SEPERATELY.
3. MOUNT CENTER OFFSET SHOWN IS 2.25" RIGHT, 2.63" UP. ALTERNATE MOUNTING LOCATION FOR JWDIW WILL RESULT IN A CENTER OFFSET 2.25"LEFT, 2.63" UP.



THE INFORMATION AND DESIGNS CONTAINED IN THIS DRAWING ARE CONFIDENTIAL AND THE PROPRIETARY PROPERTY OF MILESTONE AV TECHNOLOGIES NEITHER THIS DESIGN NOR ANY INFORMATION CONTAINED IN THIS DRAWING MAY BE REPRODUCED OR DISCLOSED TO OTHERS WITHOUT THE EXPRESS WRITTEN CONSENT OF MILESTONE AV TECHNOLOGIES.

CAD GENERATED DRAWING, DO NOT MANUALLY UPDATE.			<p>6436 CITY WEST PKWY EDEN PRAIRIE MN, 55344 PHONE: 866-977-3901 FAX: 877-894-6918</p>
DRAWN BY	MM	4/24/2015	
ENG APPROVAL			DESCRIPTION <b>J-Series In-Wall Swing Arm Accessory</b>
MFG APPROVAL			
QA APPROVAL			
SHEET 1 OF 2			MODEL NO. <b>MAC501</b>
SCALE	1:4	SIZE	DWG. NO. <b>TECH-000689</b>
			REV. <b>00</b>



THE INFORMATION AND DESIGNS CONTAINED IN THIS DRAWING ARE CONFIDENTIAL AND THE PROPRIETARY PROPERTY OF MILESTONE AV TECHNOLOGIES NEITHER THIS DESIGN NOR ANY INFORMATION CONTAINED IN THIS DRAWING MAY BE REPRODUCED OR DISCLOSED TO OTHERS WITHOUT THE EXPRESS WRITTEN CONSENT OF MILESTONE AV TECHNOLOGIES.

CAD GENERATED DRAWING, DO NOT MANUALLY UPDATE.			6436 CITY WEST PKWY EDEN PRAIRIE MN, 55344 PHONE: 866-977-3901 FAX: 877-894-6918
DRAWN BY	MM	4/24/2015	
ENG APPROVAL			DESCRIPTION <b>J-Series In-Wall Swing Arm Accessory</b>
MFG APPROVAL			
QA APPROVAL			
SHEET 2 OF 2			MODEL NO. <b>MAC501</b>
SCALE	1:4	SIZE	DWG. NO. <b>B TECH-000689</b>
			REV. <b>00</b>