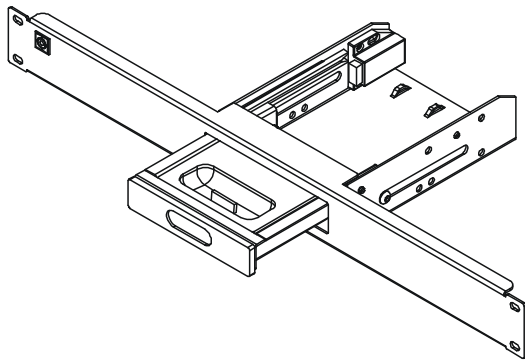
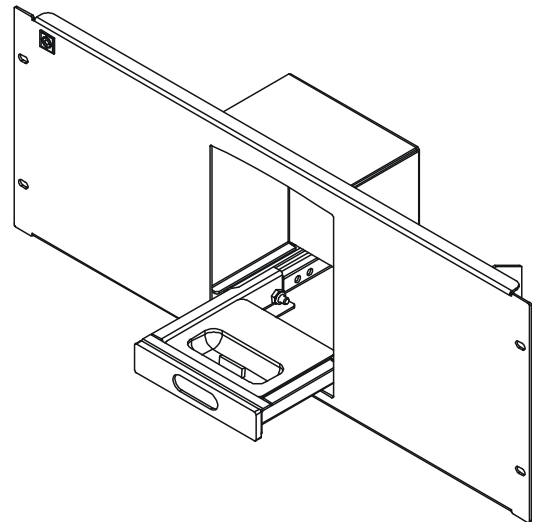

INSTALLATION INSTRUCTIONS



NAID1B



NAID4B

iPod® Dock

Touchboards

205 Westwood Ave, Long Branch, NJ 07740
Phone: 866-94 BOARDS (26273) / (732)-222-1511
Fax: (732)-222-7088 | E-mail: sales@touchboards.com

 **CHIEF**[®]
Our Mounts. Your Vision.

NAID1B, NAID4B

DISCLAIMER

Milestone AV Technologies and its affiliated corporations and subsidiaries (collectively "Milestone"), intend to make this manual accurate and complete. However, Milestone makes no claim that the information contained herein covers all details, conditions or variations, nor does it provide for every possible contingency in connection with the installation or use of this product. The information contained in this document is subject to change without notice or obligation of any kind. Milestone makes no representation of warranty, expressed or implied, regarding the information contained herein. Milestone assumes no responsibility for accuracy, completeness or sufficiency of the information contained in this document.

Chief® is a registered trademark of Milestone AV Technologies. All rights reserved.

DEFINITIONS

MOUNTING SYSTEM: A MOUNTING SYSTEM is the primary Chief product to which an accessory and/or component is attached.

ACCESSORY: AN ACCESSORY is the secondary Chief product which is attached to a primary Chief product, and may have a component attached or setting on it.

COMPONENT: A COMPONENT is an audiovisual item designed to be attached or resting on an accessory or mounting system such as a video camera, CPU, screen, display, projector, etc.

WARNING: A WARNING alerts you to the possibility of serious injury or death if you do not follow the instructions.

CAUTION: A CAUTION alerts you to the possibility of damage or destruction of equipment if you do not follow the corresponding instructions.

IMPORTANT SAFETY INSTRUCTIONS!

WARNING: Failure to read, thoroughly understand, and follow all instructions can result in serious personal injury, damage to equipment, or voiding of factory warranty! It is the installer's responsibility to make sure all mounting systems are properly assembled and installed using the instructions provided.

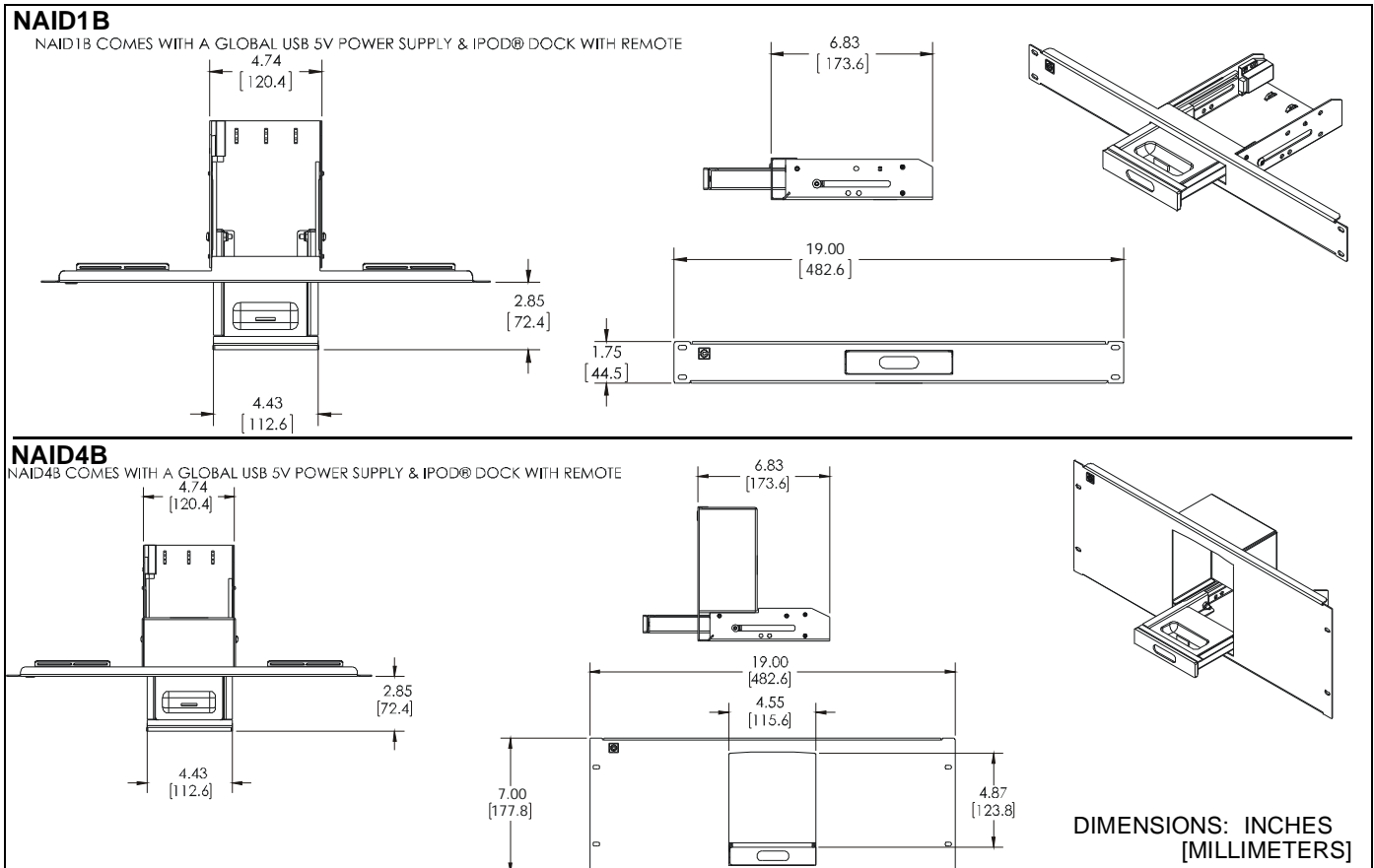
WARNING: Use this mounting system only for its intended use as described in these instructions. Do not use attachments not recommended by the manufacturer.

WARNING: Never operate this mounting system if it is damaged. Return the mounting system to a service center for examination and repair.

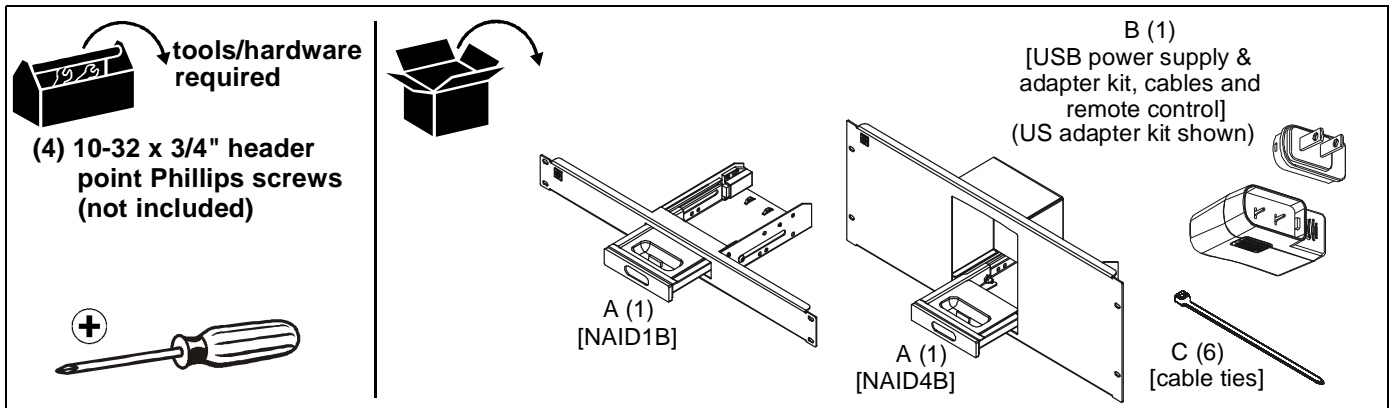
WARNING: Do not use this product outdoors.

--SAVE THESE INSTRUCTIONS--

DIMENSIONS



TOOLS / HARDWARE / PARTS



ASSEMBLY AND INSTALLATION

NOTE: The iPod® docks (NAID1B, NAID4B) are designed for use with 19" wide equipment racks. See the specific installation instructions provided with the rack for additional installation information.

1. Attach the dock (A) within the rack, using four 10-32 x 3/4" header point Phillips screws (not included). (See Figure 1)

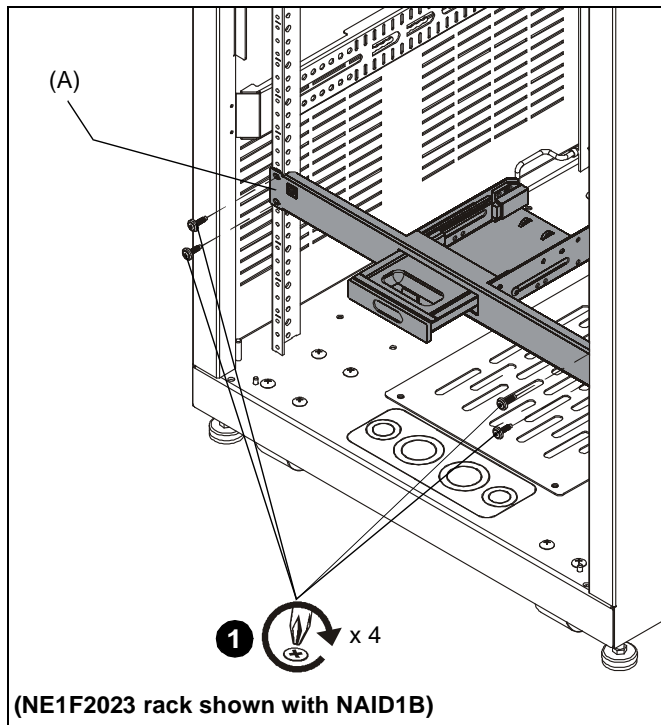


Figure 1

NOTE: Push iPod® dock drawer **IN** to both open and close drawer.

2. Plug iPod® into 30 pin connector in dock (A). (See Figure 2)
3. Plug cables into appropriate connection point. (See Figure 2)

NOTE: The iPod® may be charged through the USB jack on back of dock, or by using the USB power supply and adapter (B).

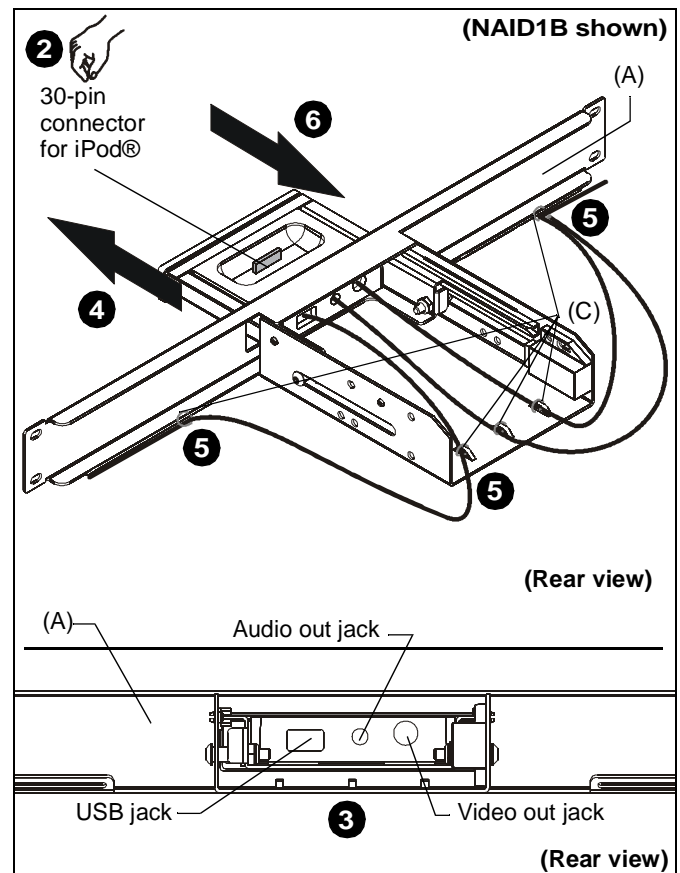


Figure 2

4. Fully extend drawer and leave it open. (See Figure 2)
5. Use cable tie loops (C) as desired for strain relief and to manage cables. (See Figure 2)

IMPORTANT ! : If cables are tied down while the drawer is shut, cables may be disconnected or damaged when drawer is opened! Make sure drawer is fully extended when securing cables in order to provide a proper length and unhindered operation.

6. Close drawer and complete the installation following the rack installation instructions.

Installing an IR Emitter (Optional)

NOTE: For a discrete, clean look, a space was designed in front of the dock yet behind the IR window to allow for a third party IR emitter to be installed. Emitter wire may be routed along the side and out the back.

1. With drawer closed, remove iPod® dock from drawer. (See Figure 3)

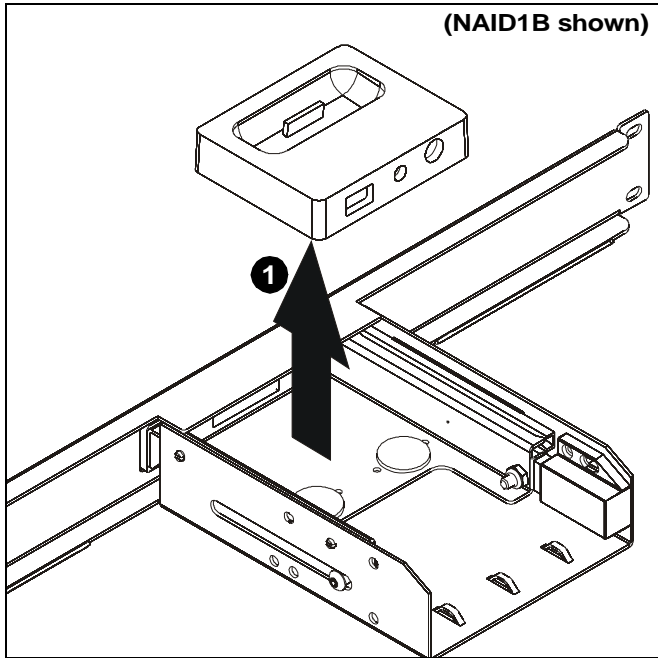


Figure 3

2. Open drawer and install IR Emitter (not included) to front of drawer or on front of iPod® dock sensor as per IR Emitter's manufacturer's instructions. (See Figure 4)
3. Use cable ties (C) as desired to manage IR Emitter cable. (See Figure 4)

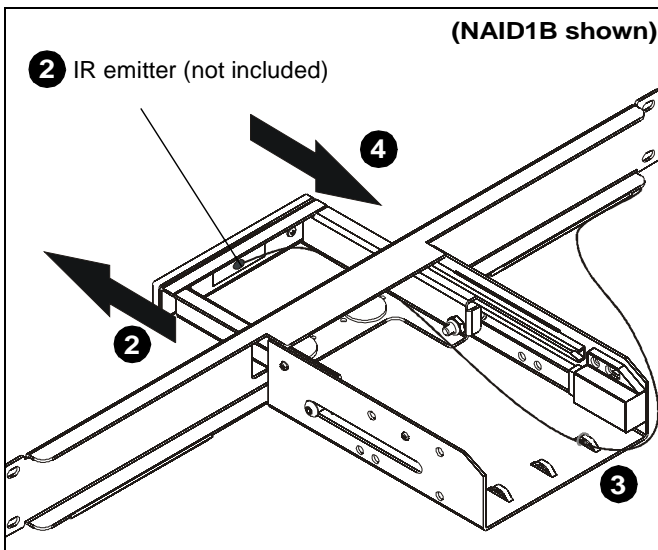


Figure 4

4. Close drawer and reinstall iPod® dock to drawer. (See Figure 5)

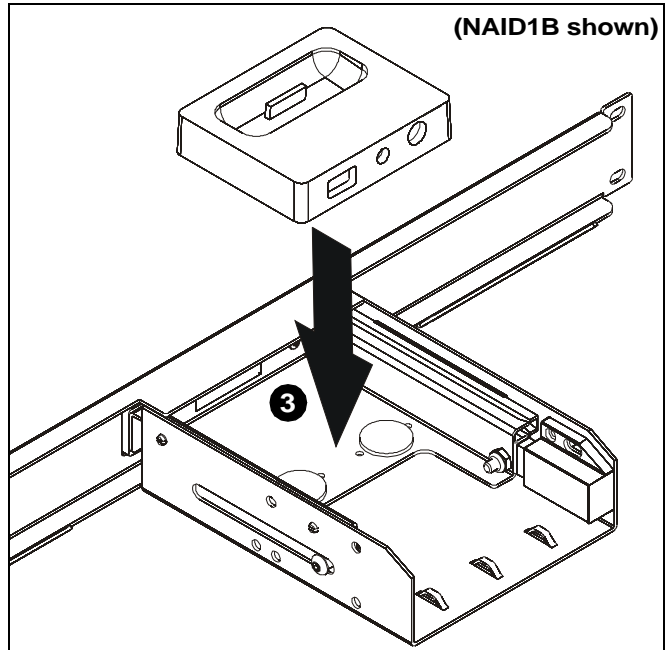


Figure 5



Our Mounts. **Your Vision.**

Chief, a products division of
Milestone AV Technologies

8800-002206 Rev01
©2016 Milestone AV Technologies
www.milestone.com
10/16

USA/International	A 6436 City West Parkway, Eden Prairie, MN 55344
	P 800.582.6480 / 952.225.6000
	F 877.894.6918 / 952.894.6918
Europe	A Franklinstraat 14, 6003 DK Weert, Netherlands
	P +31 (0) 495 580 852
	F +31 (0) 495 580 845
Asia Pacific	A Office No. 918 on 9/F, Shatin Galleria 18-24 Shan Mei Street Fotan, Shatin, Hong Kong
	P 852 2145 4099
	F 852 2145 4477

