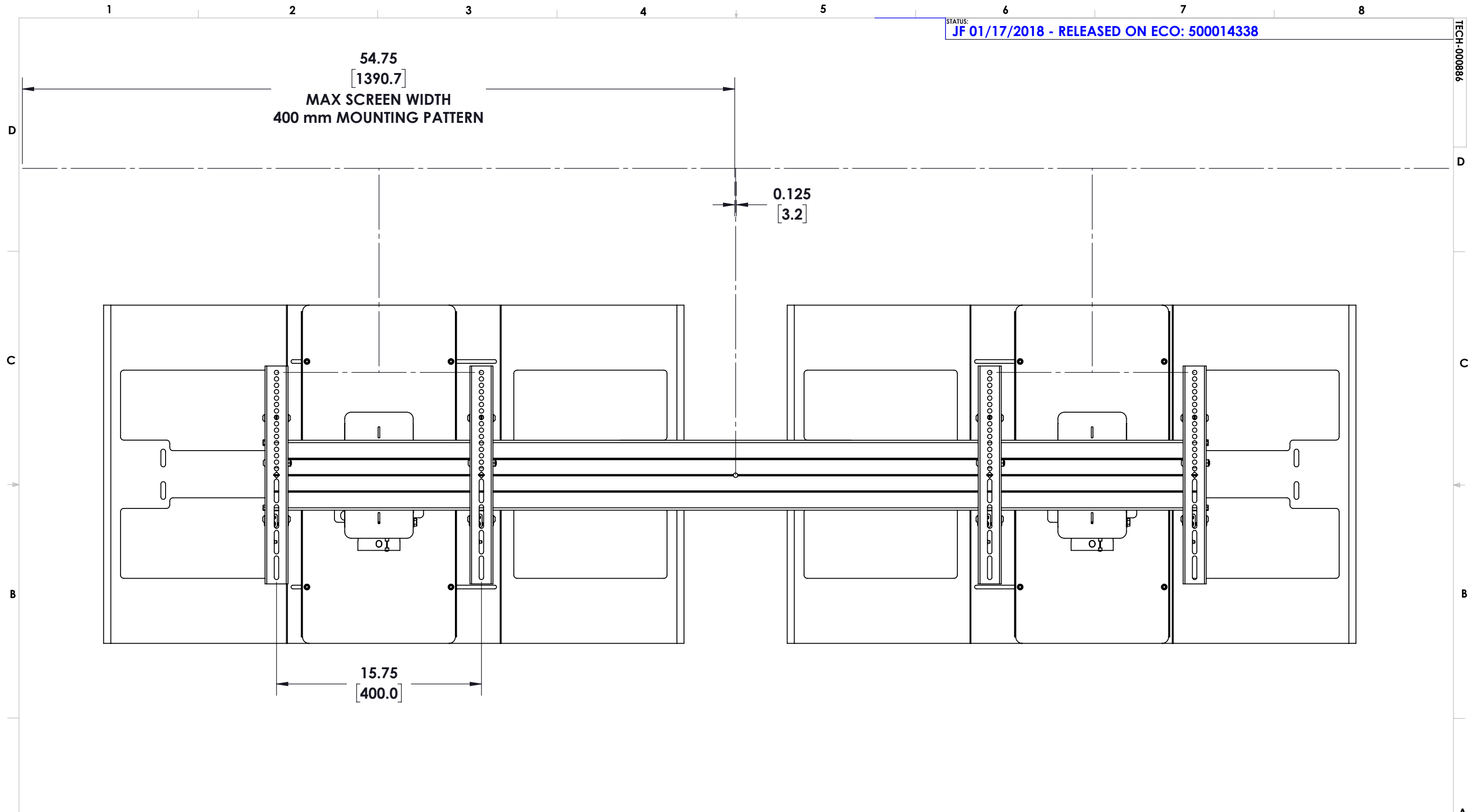


APPROXIMATE WEIGHT:
92 LBS

THE INFORMATION AND DESIGNS CONTAINED IN THIS DRAWING ARE CONFIDENTIAL AND THE PROPRIETARY PROPERTY OF MILESTONE AV TECHNOLOGIES NEITHER THIS DESIGN NOR ANY INFORMATION CONTAINED IN THIS DRAWING MAY BE REPRODUCED OR DISCLOSED TO OTHERS WITHOUT THE EXPRESS WRITTEN CONSENT OF MILESTONE AV TECHNOLOGIES.

CAD GENERATED DRAWING, DO NOT MANUALLY UPDATE.		CHIEF 6436 CITY WEST PKWY EDEN PRAIRIE MN, 55344 PHONE: 866-977-3901 FAX: 877-894-6918
DRAWN BY	JF 1/4/2018	
ENG APPROVAL		DESCRIPTION ODM LFP CEILING 2X1 MOUNT
MFG APPROVAL		MODEL NO. OLCM2X1U
QA APPROVAL		SIZE DWG. NO. REV. B TECH-000886 00
SHEET 1 OF 6		SCALE 1:8



THE INFORMATION AND DESIGNS CONTAINED IN THIS DRAWING ARE CONFIDENTIAL AND THE PROPRIETARY PROPERTY OF MILESTONE AV TECHNOLOGIES NEITHER THIS DESIGN NOR ANY INFORMATION CONTAINED IN THIS DRAWING MAY BE REPRODUCED OR DISCLOSED TO OTHERS WITHOUT THE EXPRESS WRITTEN CONSENT OF MILESTONE AV TECHNOLOGIES.


CAD GENERATED DRAWING, DO NOT MANUALLY UPDATE.			6436 CITY WEST PKWY EDEN PRAIRIE MN, 55344 PHONE: 866-977-3901 FAX: 877-894-6918	
DRAWN BY	JF	1/4/2018	DESCRIPTION	
ENG APPROVAL			ODM LFP CEILING 2X1 MOUNT	
MFG APPROVAL			MODEL NO.	
QA APPROVAL			OLCM2X1U	
SHEET 2 OF 6		SCALE	SIZE	DWG. NO.
		1:7	B	TECH-000886
				REV.
				00

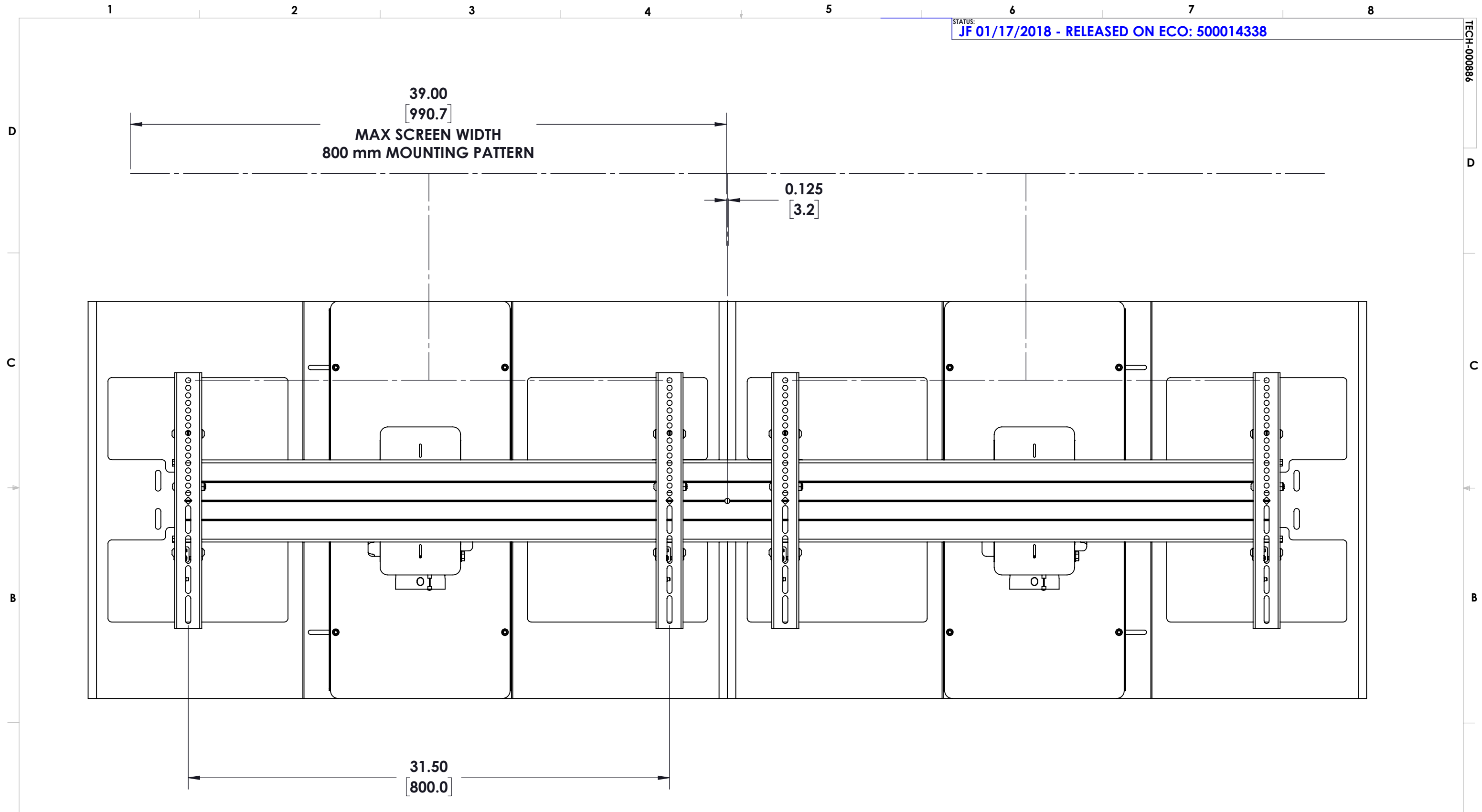
43.43
[1103.2]
MAX SCREEN WIDTH
600 mm MOUNTING PATTERN

0.125
[3.2]

23.62
[600.0]

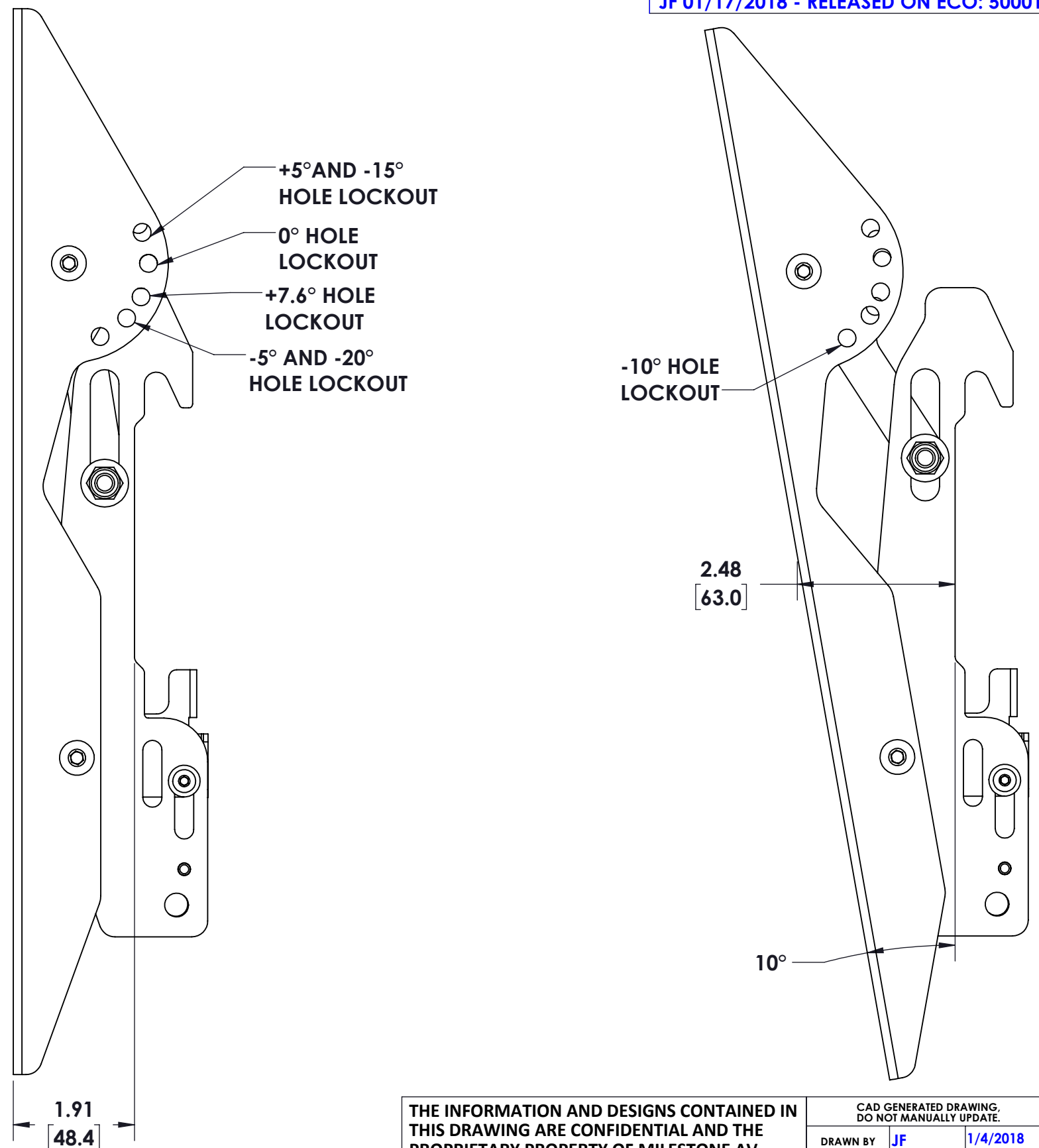
THE INFORMATION AND DESIGNS CONTAINED IN THIS DRAWING ARE CONFIDENTIAL AND THE PROPRIETARY PROPERTY OF MILESTONE AV TECHNOLOGIES NEITHER THIS DESIGN NOR ANY INFORMATION CONTAINED IN THIS DRAWING MAY BE REPRODUCED OR DISCLOSED TO OTHERS WITHOUT THE EXPRESS WRITTEN CONSENT OF MILESTONE AV TECHNOLOGIES.

CAD GENERATED DRAWING, DO NOT MANUALLY UPDATE.				 6436 CITY WEST PKWY EDEN PRAIRIE MN, 55344 PHONE: 866-977-3901 FAX: 877-894-6918	
DRAWN BY	JF	1/4/2018	DESCRIPTION		
ENG APPROVAL			ODM LFP CEILING 2X1 MOUNT		
MFG APPROVAL			MODEL NO.		
QA APPROVAL			OLCM2X1U		
SHEET 3 OF 6		SCALE	SIZE	DWG. NO.	REV.
		1:6	B	TECH-000886	00



THE INFORMATION AND DESIGNS CONTAINED IN THIS DRAWING ARE CONFIDENTIAL AND THE PROPRIETARY PROPERTY OF MILESTONE AV TECHNOLOGIES NEITHER THIS DESIGN NOR ANY INFORMATION CONTAINED IN THIS DRAWING MAY BE REPRODUCED OR DISCLOSED TO OTHERS WITHOUT THE EXPRESS WRITTEN CONSENT OF MILESTONE AV TECHNOLOGIES.

CAD GENERATED DRAWING, DO NOT MANUALLY UPDATE.			6436 CITY WEST PKWY EDEN PRAIRIE MN, 55344 PHONE: 866-977-3901 FAX: 877-894-6918
DRAWN BY	JF	1/4/2018	
ENG APPROVAL			DESCRIPTION
MFG APPROVAL			ODM LFP CEILING 2X1 MOUNT
QA APPROVAL			MODEL NO.
SHEET 4 OF 6			OLCM2X1U
SCALE	1:6	SIZE	DWG. NO.
		B	TECH-000886
			REV.
			00



THE INFORMATION AND DESIGNS CONTAINED IN THIS DRAWING ARE CONFIDENTIAL AND THE PROPRIETARY PROPERTY OF MILESTONE AV TECHNOLOGIES NEITHER THIS DESIGN NOR ANY INFORMATION CONTAINED IN THIS DRAWING MAY BE REPRODUCED OR DISCLOSED TO OTHERS WITHOUT THE EXPRESS WRITTEN CONSENT OF MILESTONE AV TECHNOLOGIES.

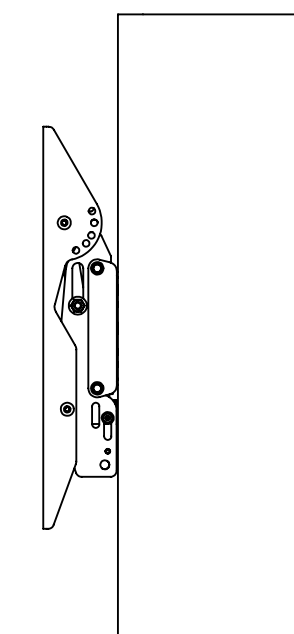
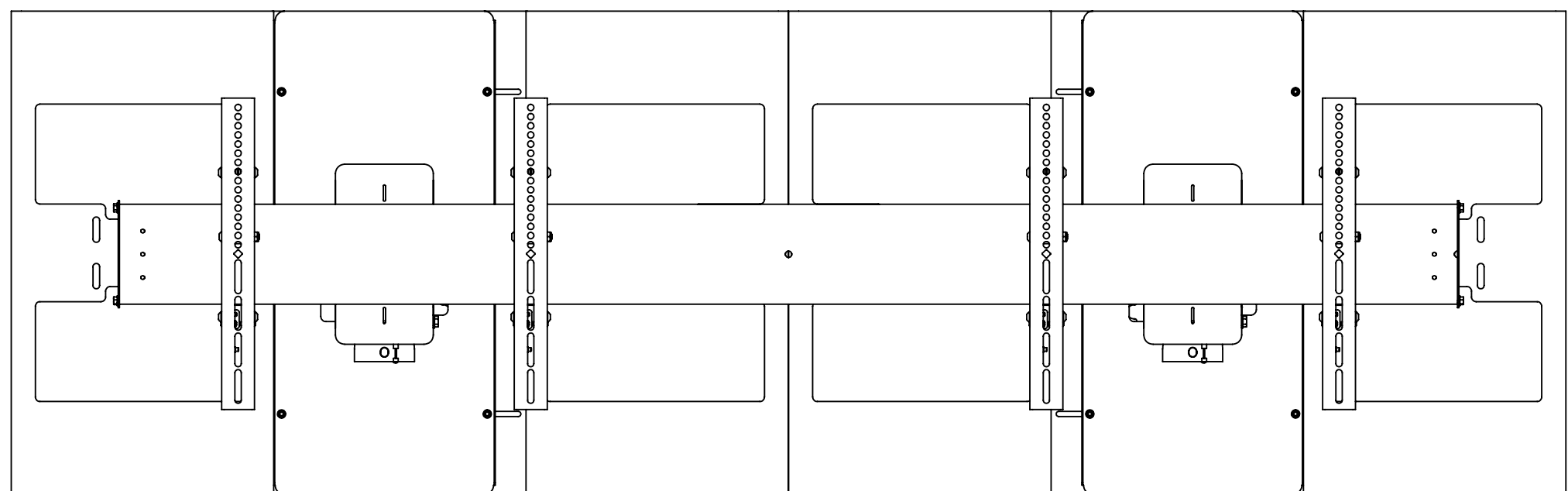
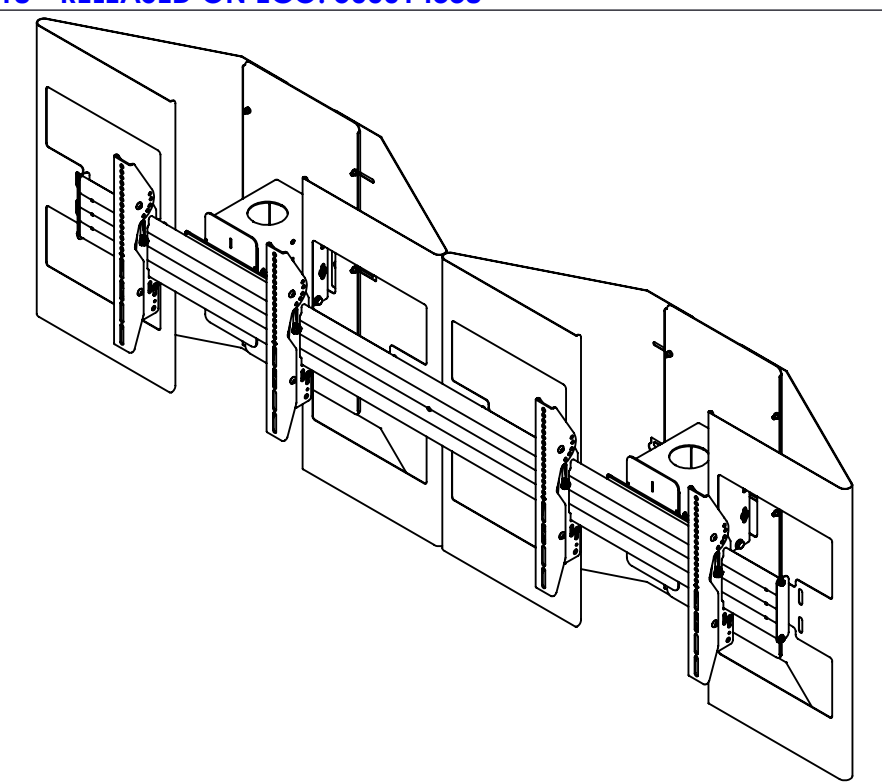
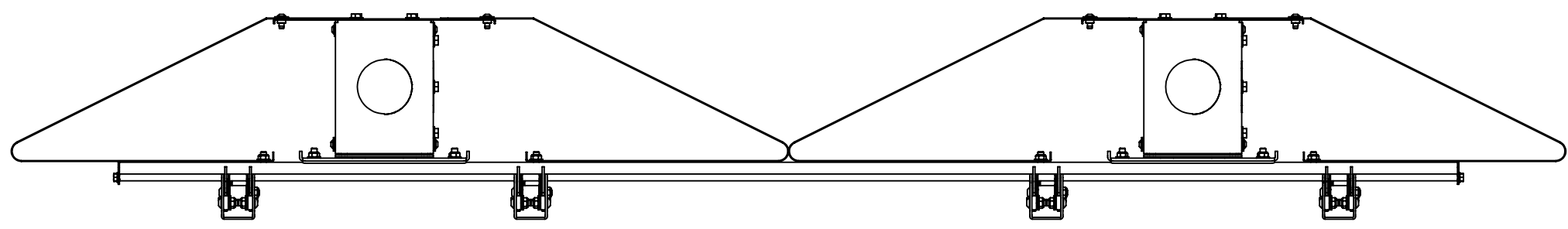
CAD GENERATED DRAWING, DO NOT MANUALLY UPDATE.		6436 CITY WEST PKWY EDEN PRAIRIE MN, 55344 PHONE: 866-977-3901 FAX: 877-894-6918	
DRAWN BY	JF	DATE	1/4/2018
ENG APPROVAL		DESCRIPTION ODM LFP CEILING 2X1 MOUNT	
MFG APPROVAL		MODEL NO. OLCM2X1U	
QA APPROVAL		SIZE	DWG. NO. B TECH-000886
SHEET 5 OF 6		SCALE	REV. 00
		1:2	

1 2 3 4 5 6 7 8


D
C
B
A

D
C
B
A

1 2 3 4 5 6 7 8



THE INFORMATION AND DESIGNS CONTAINED IN THIS DRAWING ARE CONFIDENTIAL AND THE PROPRIETARY PROPERTY OF MILESTONE AV TECHNOLOGIES NEITHER THIS DESIGN NOR ANY INFORMATION CONTAINED IN THIS DRAWING MAY BE REPRODUCED OR DISCLOSED TO OTHERS WITHOUT THE EXPRESS WRITTEN CONSENT OF MILESTONE AV TECHNOLOGIES.

CAD GENERATED DRAWING, DO NOT MANUALLY UPDATE.				 6436 CITY WEST PKWY EDEN PRAIRIE MN, 55344 PHONE: 866-977-3901 FAX: 877-894-6918	
DRAWN BY	JF	1/4/2018	DESCRIPTION		
ENG APPROVAL			ODM LFP CEILING 2X1 MOUNT		
MFG APPROVAL			MODEL NO.		
QA APPROVAL			OLCM2X1U		
SHEET 6 OF 6		SCALE	SIZE	DWG. NO.	REV.
		1:8	B	TECH-000886	00