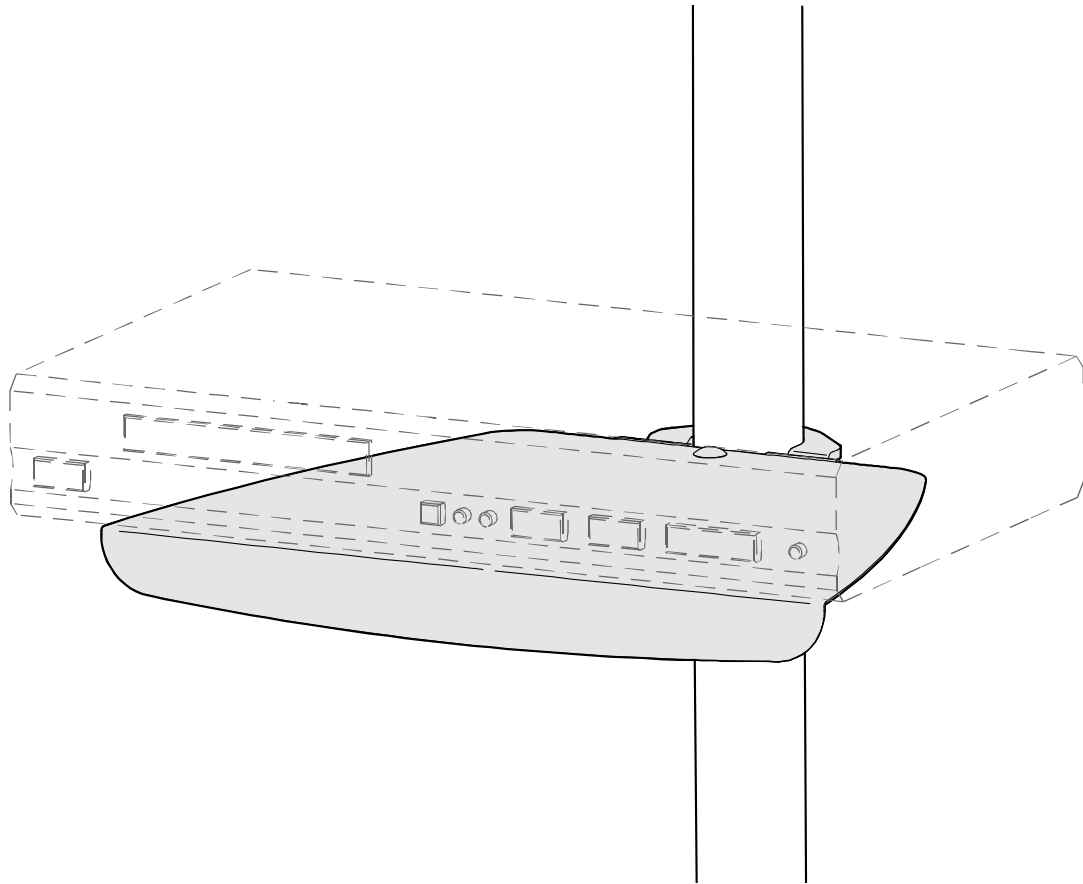

INSTALLATION INSTRUCTIONS



Shelf Accessory

DISCLAIMER

Milestone AV Technologies and its affiliated corporations and subsidiaries (collectively "Milestone"), intend to make this manual accurate and complete. However, Milestone makes no claim that the information contained herein covers all details, conditions or variations, nor does it provide for every possible contingency in connection with the installation or use of this product. The information contained in this document is subject to change without notice or obligation of any kind. Milestone makes no representation of warranty, expressed or implied, regarding the information contained herein. Milestone assumes no responsibility for accuracy, completeness or sufficiency of the information contained in this document.

Chief® is a registered trademark of Milestone AV Technologies. All rights reserved.

DEFINITIONS

MOUNTING SYSTEM: A MOUNTING SYSTEM is the primary Chief product to which an accessory and/or component is attached.

ACCESSORY: AN ACCESSORY is the secondary Chief product which is attached to a primary Chief product, and may have a component attached or setting on it.

COMPONENT: A COMPONENT is an audiovisual item designed to be attached or resting on an accessory or mounting system such as a video camera, CPU, screen, display, projector, etc.



WARNING: A WARNING alerts you to the possibility of serious injury or death if you do not follow the instructions.



CAUTION: A CAUTION alerts you to the possibility of damage or destruction of equipment if you do not follow the corresponding instructions.



IMPORTANT SAFETY INSTRUCTIONS



WARNING: Failure to read, thoroughly understand, and follow all instructions can result in serious personal injury, damage to equipment, or voiding of factory warranty! It is the installer's responsibility to make sure all accessories are properly assembled and installed using the instructions provided.



WARNING: Failure to provide adequate structural strength for this accessory can result in serious personal injury or damage to equipment! It is the installer's responsibility to make sure the structure to which this accessory is attached can support five times the combined weight of all equipment. Reinforce the structure as required before installing the accessory. The wall to which the accessory is being attached may have a maximum drywall thickness of 5/8" (1.6cm). Do not install drywall anchors into the seam between drywall pieces.



WARNING: Exceeding the weight capacity can result in serious personal injury or damage to equipment! It is the installer's responsibility to make sure the combined weight of all components attached to accessory does not exceed 20 lbs (9.1 kg).



WARNING: Use this accessory only for its intended use as described in these instructions. Do not use attachments not recommended by the manufacturer.



WARNING: Never operate this accessory if it is damaged. Return the accessory to a service center for examination and repair.



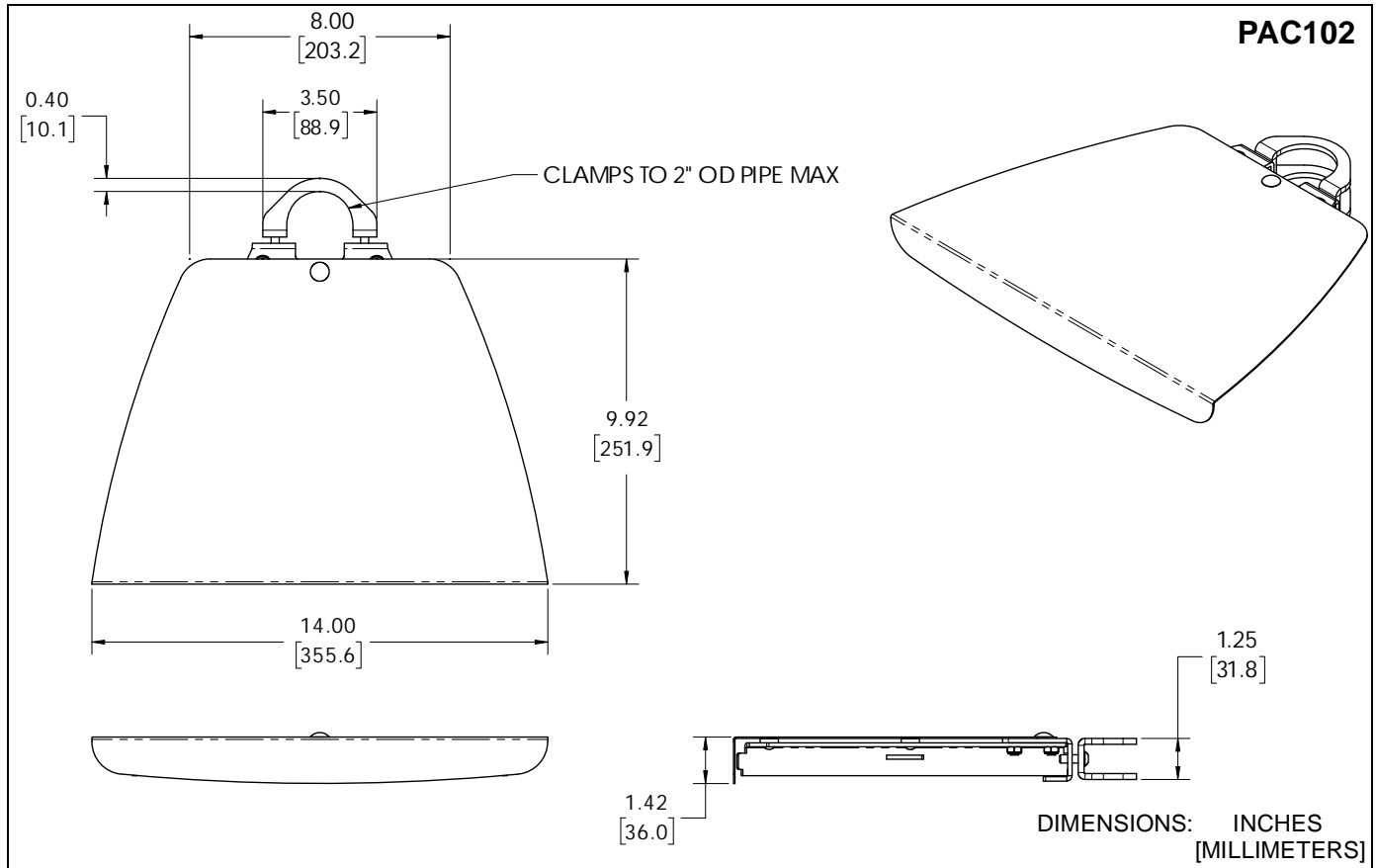
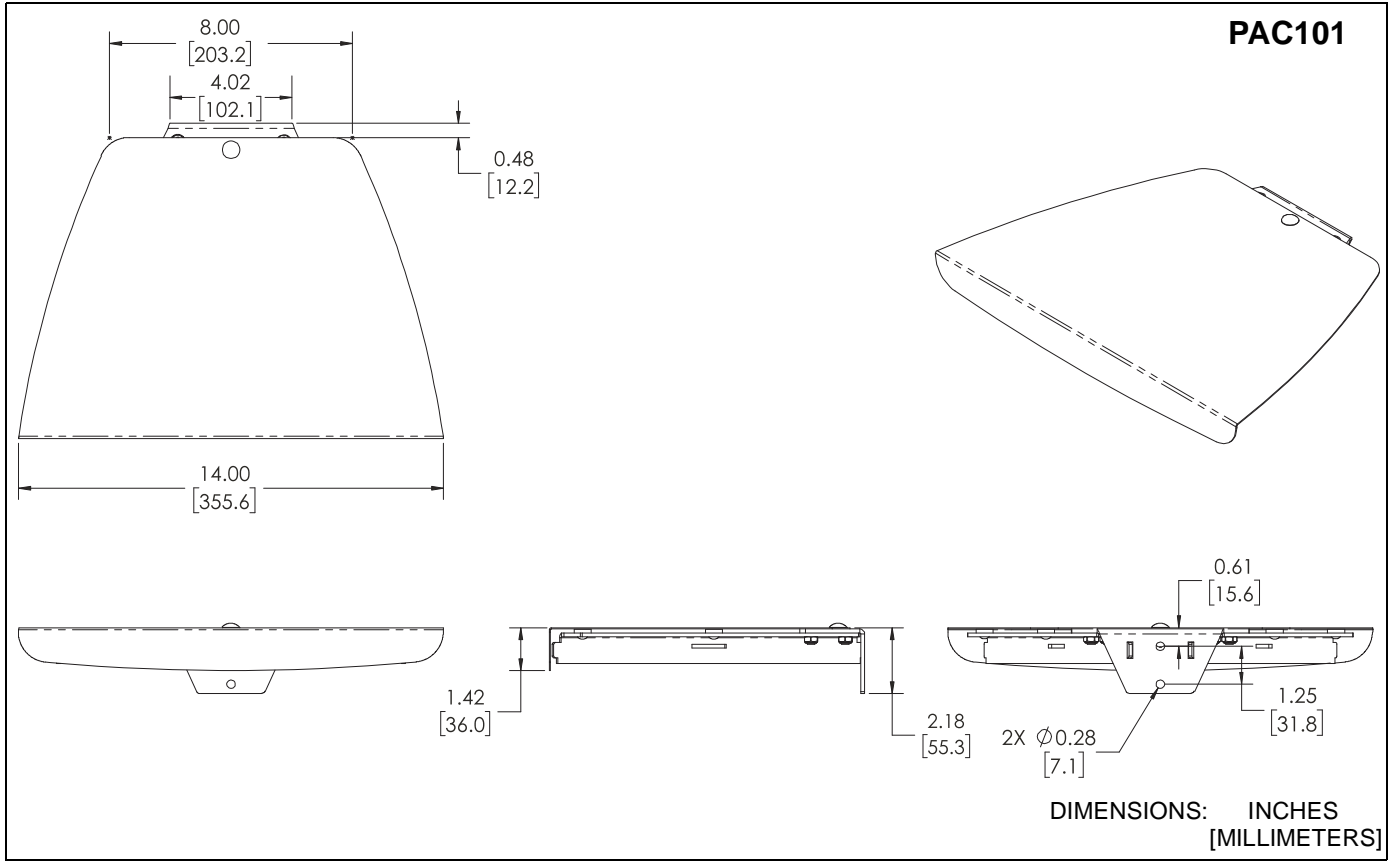
WARNING: Do not use this accessory outdoors.

IMPORTANT ! : The accessory is designed to be mounted to:








- **PAC101** - a 2" x 4" wood stud wall, covered with drywall with a maximum thickness of 5/8";
- **PAC102** - a 1-1/2" NPT pipe

--SAVE THESE INSTRUCTIONS--

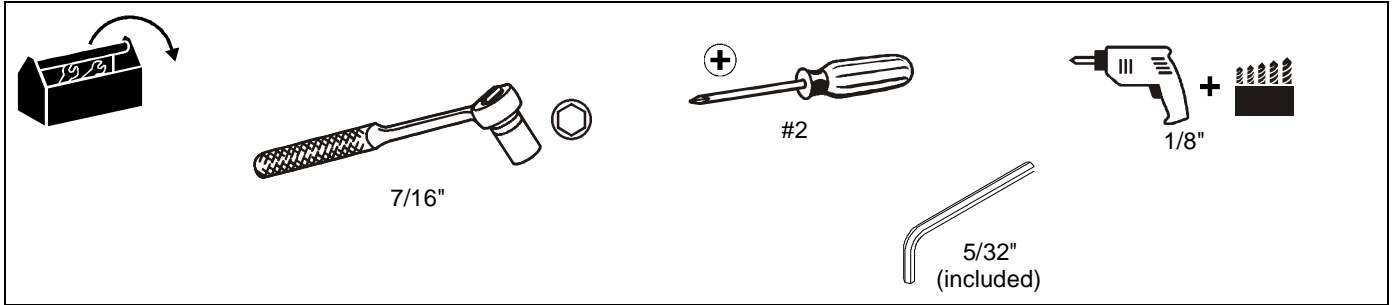
DIMENSIONS



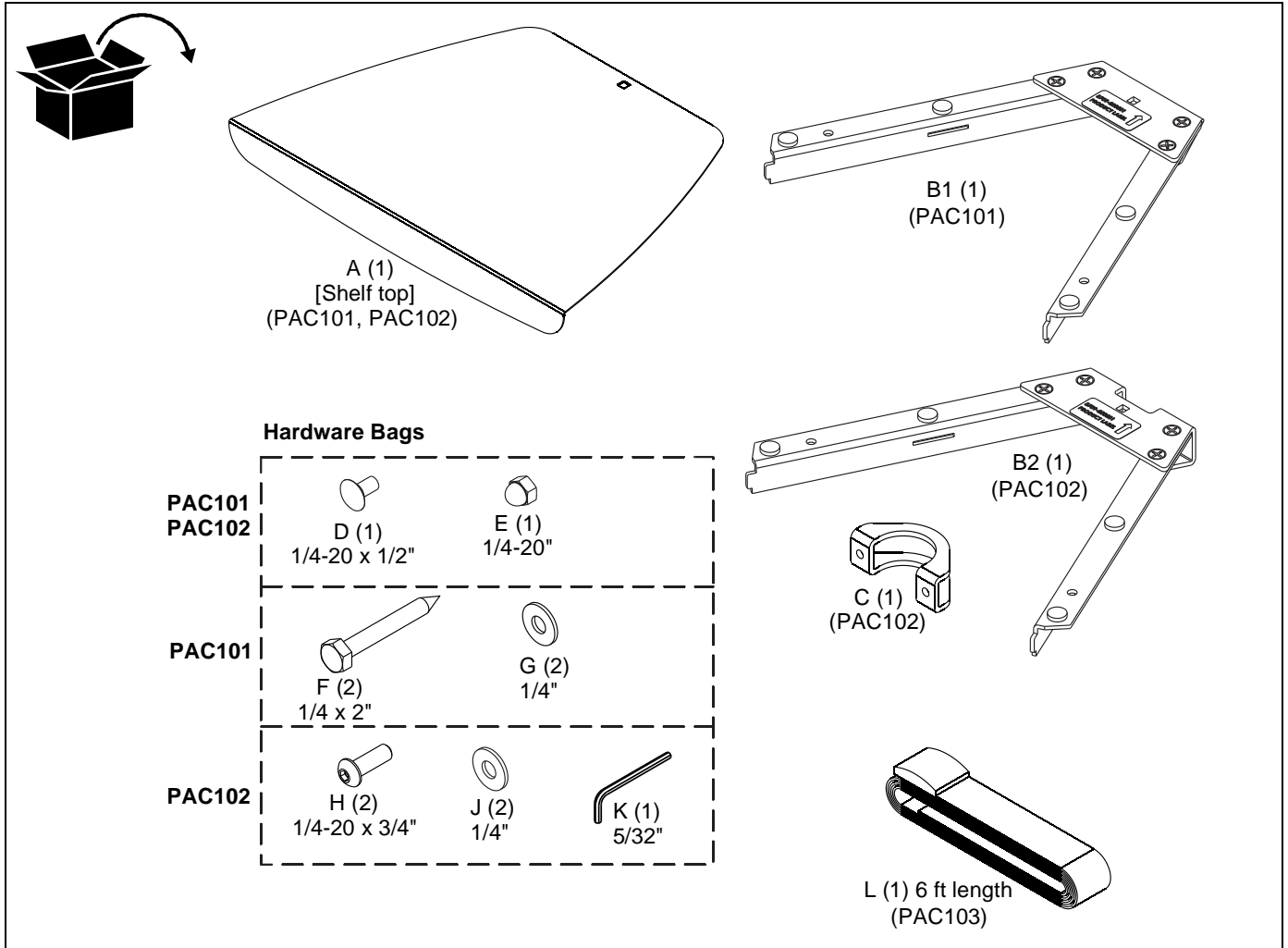
LEGEND

	<p>Tighten Fastener</p> <p>Apretar elemento de fijación</p> <p>Befestigungsteil festziehen</p> <p>Apertar fixador</p> <p>Serrare il fissaggio</p> <p>Bevestiging vastdraaien</p> <p>Serrez les fixations</p>		<p>Pencil Mark</p> <p>Marcar con lápiz</p> <p>Stiftmarkierung</p> <p>Marcar com lápis</p> <p>Segno a matita</p> <p>Potloodmerkteken</p> <p>Marquage au crayon</p>
	<p>Loosen Fastener</p> <p>Aflojar elemento de fijación</p> <p>Befestigungsteil lösen</p> <p>Desapertar fixador</p> <p>Allentare il fissaggio</p> <p>Bevestiging losdraaien</p> <p>Desserrez les fixations</p>		<p>Drill Hole</p> <p>Perforar</p> <p>Bohrloch</p> <p>Fazer furo</p> <p>Praticare un foro</p> <p>Gat boren</p> <p>Percez un trou</p>
	<p>Phillips Screwdriver</p> <p>Destornillador Phillips</p> <p>Kreuzschlitzschraubendreher</p> <p>Chave de fendas Phillips</p> <p>Cacciavite a stella</p> <p>Kruiskopschroevendraaier</p> <p>Tournevis à pointe cruciforme</p>		<p>Hex-Head Wrench</p> <p>Llave de cabeza hexagonal</p> <p>Sechskantschlüssel</p> <p>Chave de cabeça sextavada</p> <p>Chiave esagonale</p> <p>Zeskantsleutel</p> <p>Clé à tête hexagonale</p>
	<p>Open-Ended Wrench</p> <p>Llave de boca</p> <p>Gabelschlüssel</p> <p>Chave de bocas</p> <p>Chiave a punte aperte</p> <p>Steeksleutel</p> <p>Clé à fourche</p>		

TOOLS REQUIRED FOR INSTALLATION



PARTS



INSTALLATION



WARNING: IMPROPER INSTALLATION CAN LEAD TO EQUIPMENT FALLING CAUSING SERIOUS PERSONAL INJURY OR DAMAGE TO EQUIPMENT! DO NOT substitute hardware! Use only hardware provided by manufacturer.

PAC101 Shelf Base Installation

The PAC101 is designed to be installed into a wood stud.

To install the PAC101:

1. Place shelf base (B1) in desired mounting location.
2. Level shelf base. (See Figure 1)
3. Mark and drill two 1/8" pilot holes into center of stud.
4. Secure shelf base to wood stud using two 1/4" flat washers (G) and two 1/4 x 2" hex head lag screws (F). (See Figure 1)

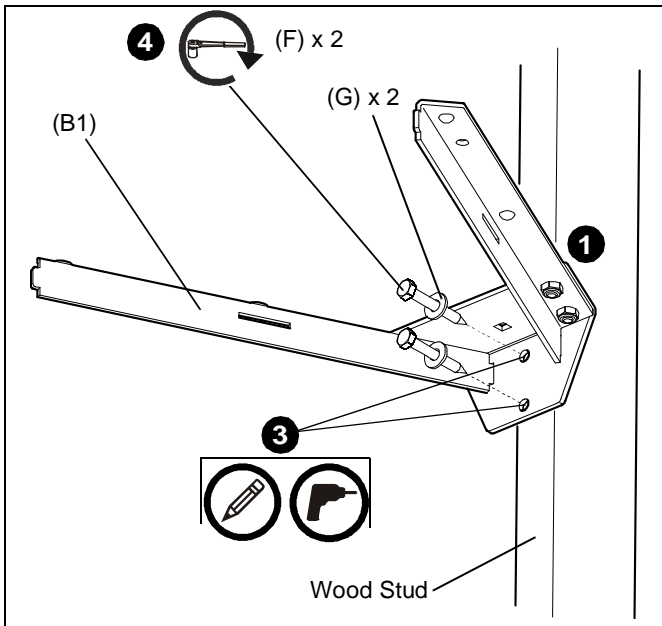


Figure 1

PAC-102 Shelf Base Installation

The PAC-102 is designed to be mounted onto a 1-1/2" NPT steel pipe.

To install the PAC-102:

1. Place shelf base (B2) in desired mounting location on pole.
2. Align pole mount bracket (C) with shelf base (B2).
3. Secure pole mount bracket (C) to shelf base (B2) using two 1/4" flat washers (J) and two 1/4-20 x 3/4" button head cap screws (H). (See Figure 2)

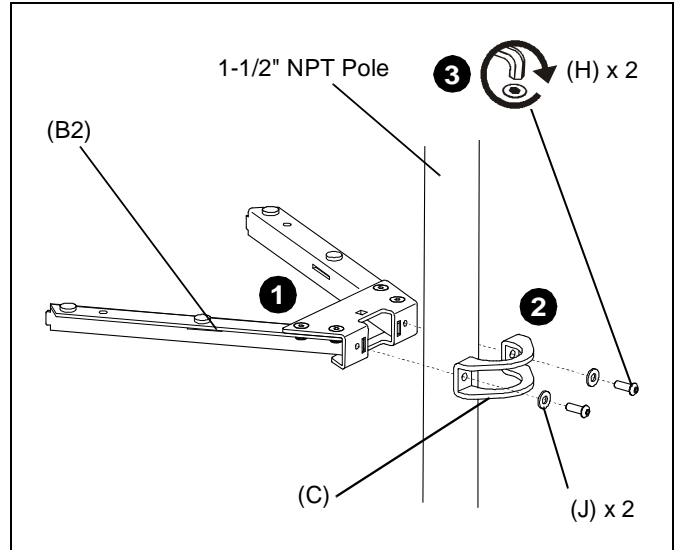


Figure 2

Attach Shelf to Shelf Base (PAC101, PAC102)

1. Align square mounting hole in shelf (A) with mounting hole in top of shelf base (B1 or B2). (See Figure 3)
2. Secure shelf (A) to shelf base (B1 or B2) using one carriage bolt (D) and one lock nut (E). (See Figure 3)

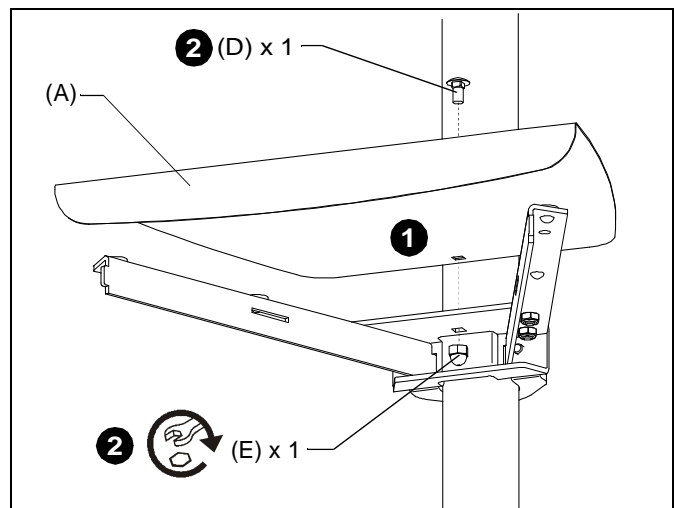


Figure 3

PAC-103 Installation

To install the optional PAC-103 Strap:

1. Place equipment on shelf (A). (See Figure 4)

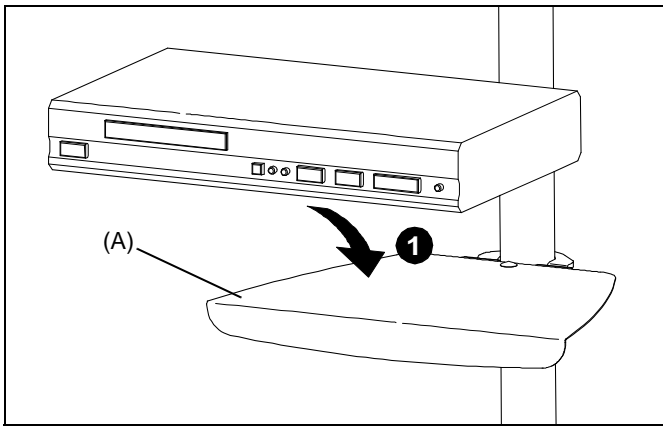


Figure 4

2. Thread PAC103 (L) through slots in shelf base (B1 or B2). (See Figure 5)

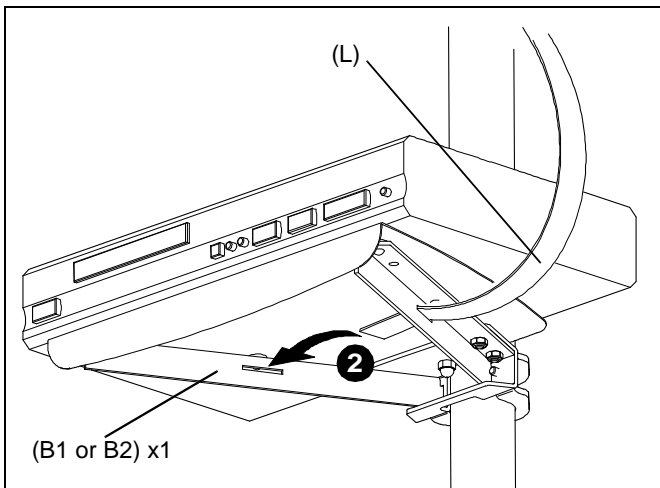


Figure 5

3. Loop strap (L) over top of equipment and slide strap end into clasp. (See Figure 6)

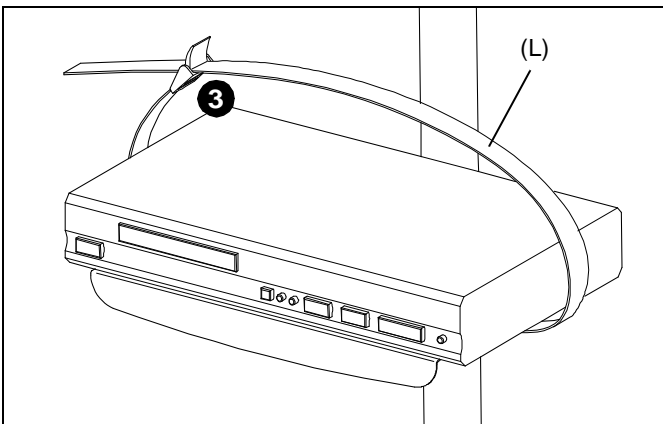


Figure 6

4. Pull strap (L) until tight around equipment and press clasp closed to secure. (See Figure 7)

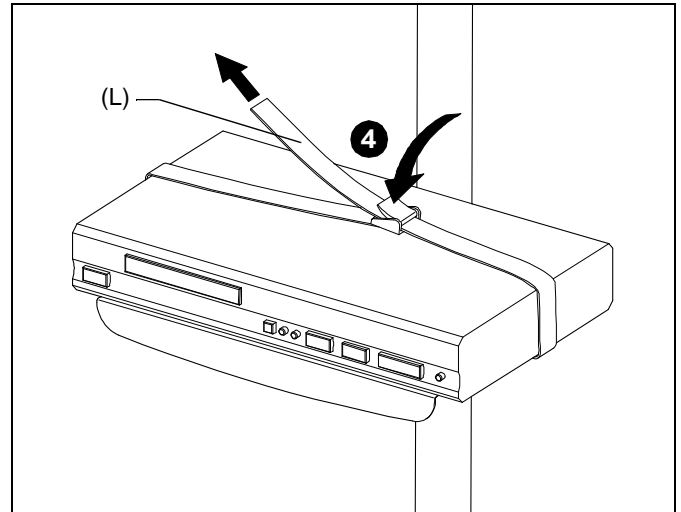


Figure 7



Our Mounts. **Your Vision.**

Chief, a products division of
Milestone AV Technologies

8800-002901 Rev00
©2017 Milestone AV Technologies
www.milestone.com
05/17

USA/International	A 6436 City West Parkway, Eden Prairie, MN 55344
	P 800.582.6480 / 952.225.6000
	F 877.894.6918 / 952.894.6918
Europe	A Franklinstraat 14, 6003 DK Weert, Netherlands
	P +31 (0) 495 580 852
	F +31 (0) 495 580 845
Asia Pacific	A Office No. 918 on 9/F, Shatin Galleria 18-24 Shan Mei Street Fotan, Shatin, Hong Kong
	P 852 2145 4099
	F 852 2145 4477

