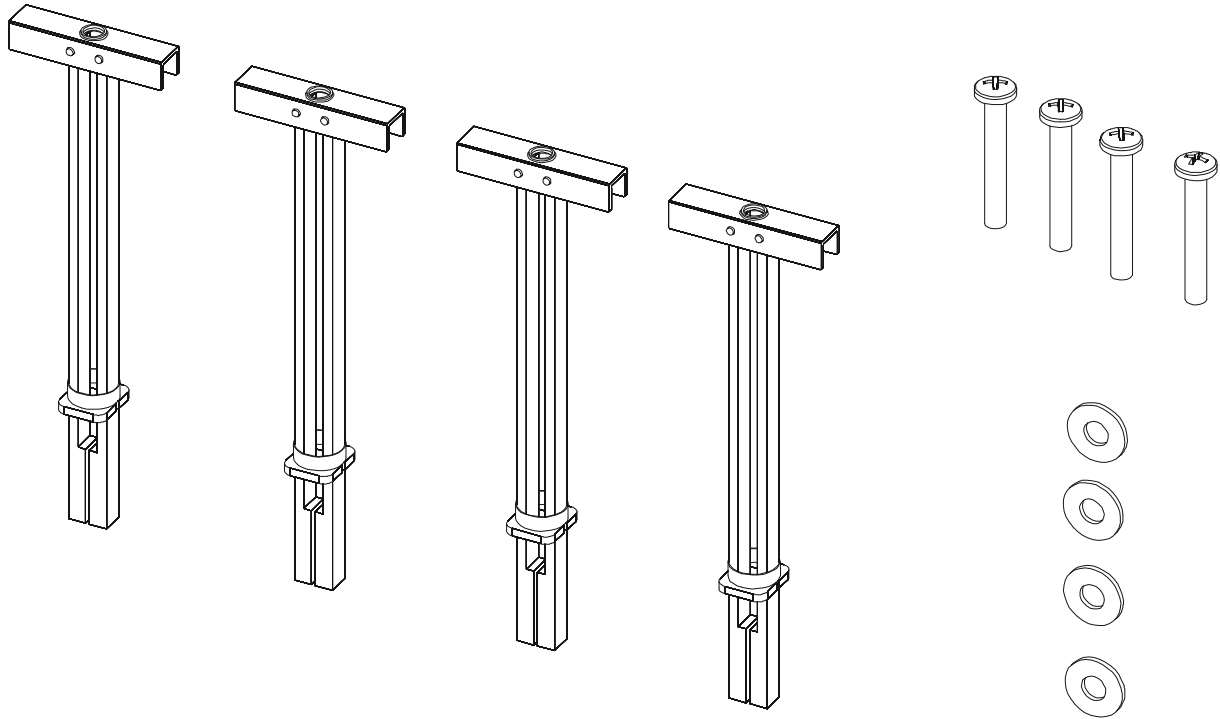


INSTALLATION INSTRUCTIONS



205 Westwood Ave, Long Branch, NJ 07740
Phone: 866-94 BOARDS (26273) / (732)-222-1511
Fax: (732)-222-7088 | E-mail: sales@touchboards.com




Steel Stud Anchor Kits


DISCLAIMER


Milestone AV Technologies and its affiliated corporations and subsidiaries (collectively "Milestone"), intend to make this manual accurate and complete. However, Milestone makes no claim that the information contained herein covers all details, conditions or variations, nor does it provide for every possible contingency in connection with the installation or use of this product. The information contained in this document is subject to change without notice or obligation of any kind. Milestone makes no representation of warranty, expressed or implied, regarding the information contained herein. Milestone assumes no responsibility for accuracy, completeness or sufficiency of the information contained in this document.


Chief® is a registered trademark of Milestone AV Technologies. All rights reserved.


IMPORTANT SAFETY INSTRUCTIONS


 **WARNING:** A WARNING alerts you to the possibility of serious injury or death if you do not follow the instructions.


 **CAUTION:** A CAUTION alerts you to the possibility of damage or destruction of equipment if you do not follow the corresponding instructions.


 **WARNING:** Failure to read, thoroughly understand, and follow all instructions can result in serious personal injury, damage to equipment, or voiding of factory warranty! It is the installer's responsibility to make sure all components are properly assembled and installed using the instructions provided.

 **WARNING:** Failure to provide adequate structural strength for this component can result in serious personal injury or damage to equipment! It is the installer's responsibility to make sure the structure to which this component is attached can support five times the combined weight of all equipment. Reinforce the structure as required before installing the component. The wall to which the mount is being attached may have a maximum drywall thickness of 5/8" (1.6cm) over steel studs.


 **WARNING:** Exceeding the weight capacity can result in serious personal injury or damage to equipment! It is the installer's responsibility to make sure the combined weight of all components does not exceed the maximum weight capacity of the mount being installed. (See mount installation instructions for weight capacity information.) Consult Table 1 for Chief mount models which may use the PAC115/116/117 for installation to two steel studs.

 **WARNING:** Use this mounting system only for its intended use as described in these instructions. Do not use attachments not recommended by the manufacturer.

 **WARNING:** Never operate this mounting system if it is damaged. Return the mounting system to a service center for examination and repair.

 **WARNING:** Do not use this product outdoors.

IMPORTANT ! : The PAC115-116-117 kits may be used to fasten mounts to a 2" x 4"-25ga minimum steel stud wall.

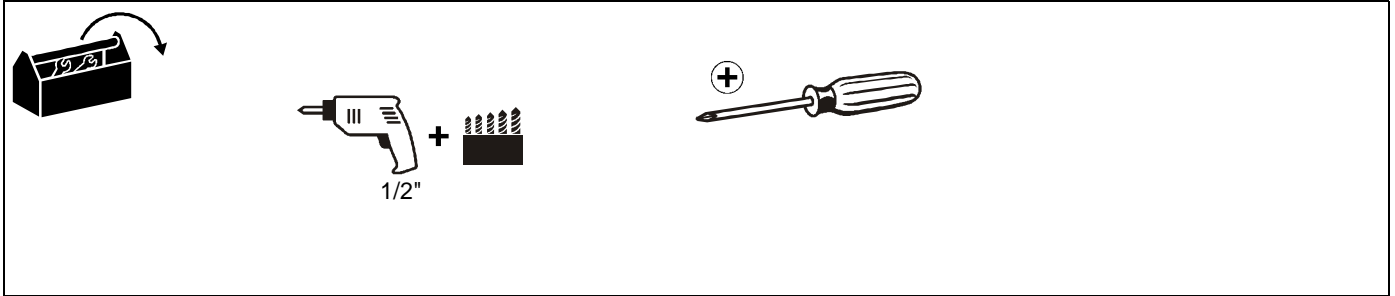
 **WARNING:** USING THIS PRODUCT INCORRECTLY MAY RESULT IN SERIOUS PERSONAL INJURY OR DAMAGE TO EQUIPMENT! Do NOT use the PAC115-116-117 to fasten a mount into only drywall!

--SAVE THESE INSTRUCTIONS--

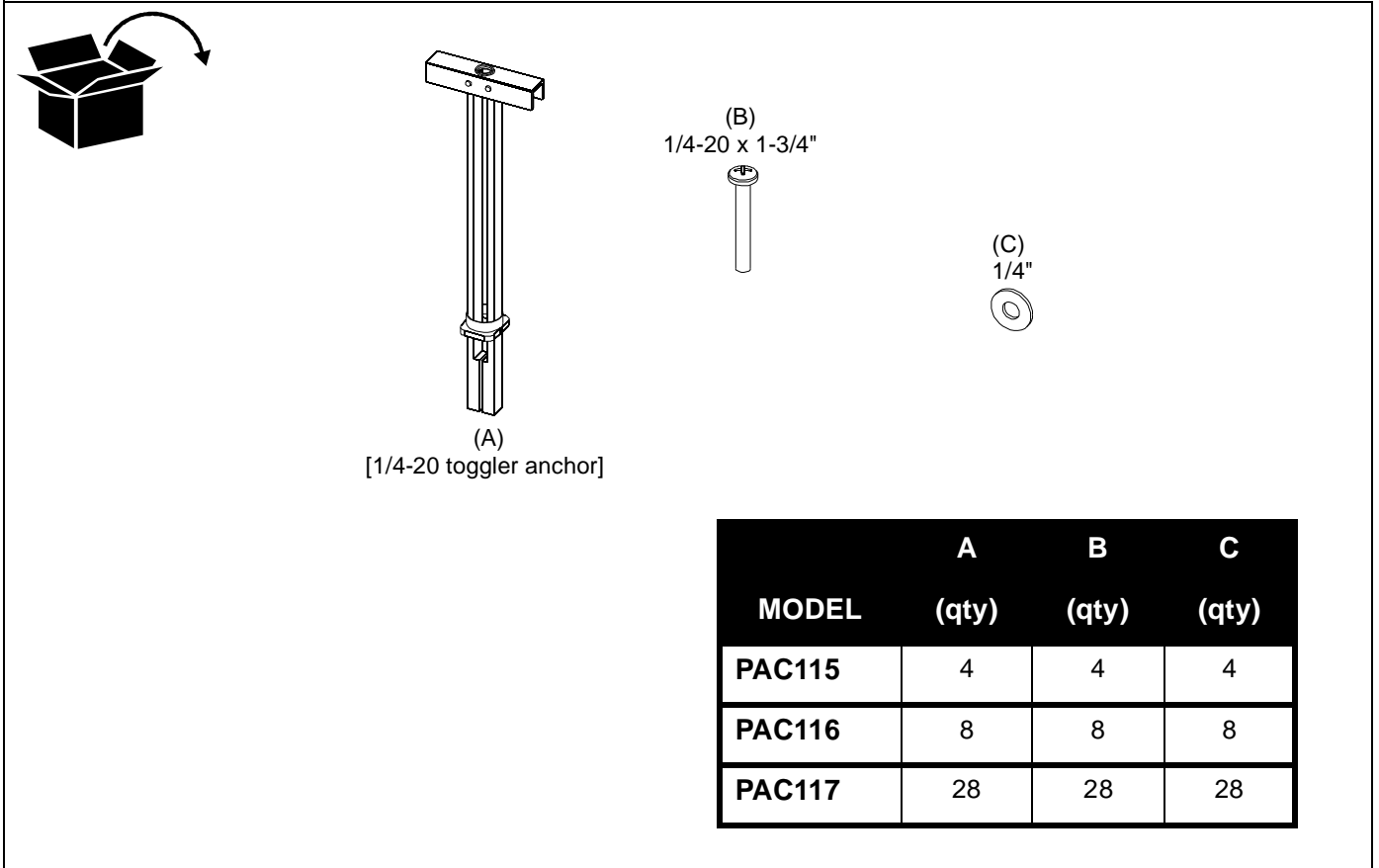
Table 1: MOUNT MODELS

MOUNT SERIES (securing mounts to two steel studs)		
iCMPFM2	MSA	RLF1
iCMPFM3	MSM	RLF2
iCMPTM2	MSMV	RMF1
iCMPTM3	MSR	RMF2
iCXPFM2	MTA	RMT1
iCXPFM3	MTM	RMT2
iCXPTM2	MTR	RST2
iCXPTM3	MWC	RXF2
LSA	PLP	TS318T
LSM	PRO	TS325T
LSMV	PSM	TS525T
LTA	PST	XSM
LTM	PWC	XTM

TOOLS



PARTS FOR INSTALLATION



	A	B	C
MODEL	(qty)	(qty)	(qty)
PAC115	4	4	4
PAC116	8	8	8
PAC117	28	28	28

INSTALLATION



WARNING: USING THIS PRODUCT INCORRECTLY MAY RESULT IN SERIOUS PERSONAL INJURY OR DAMAGE TO EQUIPMENT! Do NOT use the PAC115-116-117 to fasten a mount into only drywall!

1. Drill a 1/2" hole at the desired location.
2. Hold metal channel on anchor (A) flat alongside plastic straps and slide channel through hole. (See Figure 1)

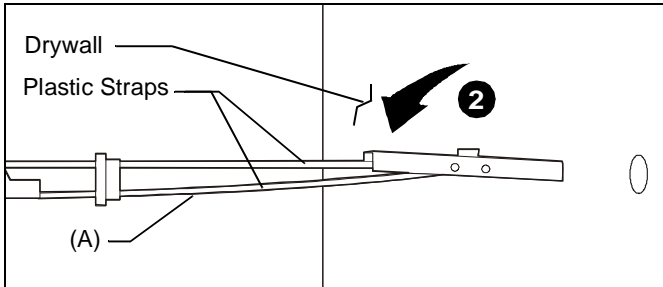


Figure 1

3. Holding plastic straps on anchor (A), pull anchor away from wall until channel rests flush behind wall making sure anchor channel is positioned vertically on stud. (See Figure 2)
4. Slide plastic cap on anchor (A) towards wall until flange of cap is flush with wall. (See Figure 2)

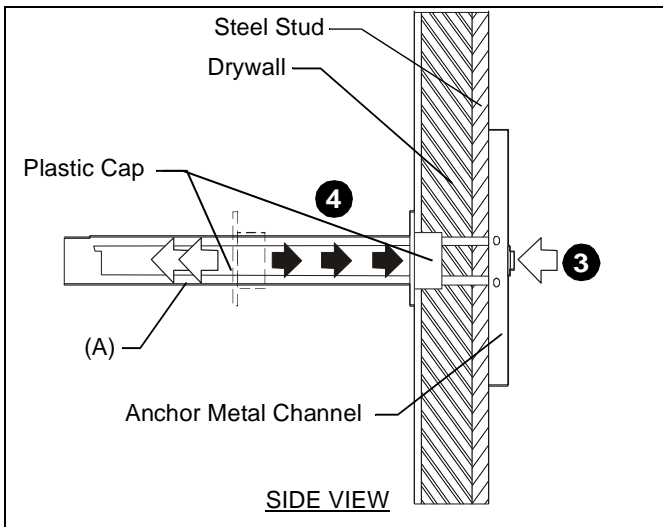


Figure 2

5. Snap off plastic straps on anchor at wall by pushing side to side, snapping off straps level with flange of plastic cap. (See Figure 3)
6. Repeat Steps 1 through 5 for each mounting hole.

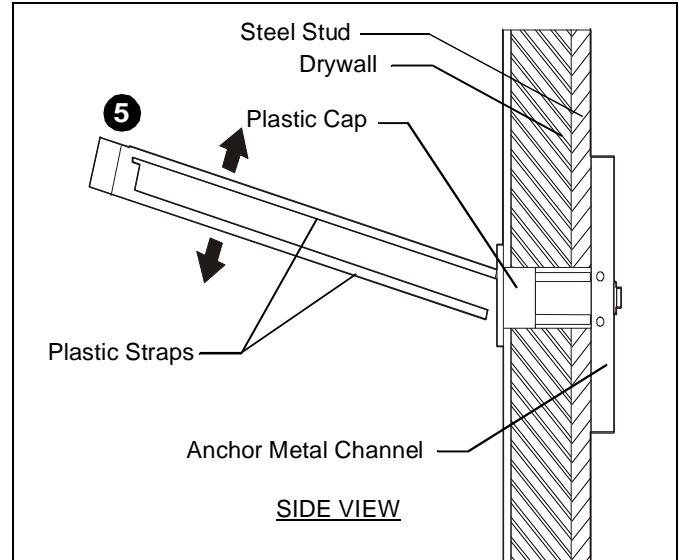


Figure 3

7. Place mount over anchors and align mounting holes in display mount with holes in anchors. (See Figure 4)



WARNING: IMPROPER INSTALLATION CAN LEAD TO EQUIPMENT FALLING CAUSING SERIOUS PERSONAL INJURY OR DAMAGE TO EQUIPMENT! Overtightening of mounting hardware can damage the steel studs. DO NOT overtighten mounting hardware!

8. Insert 1/4-20 x 1-3/4" Phillips pan head screw (B) through 1/4" washer (C), corresponding mounting hole on mount and into anchor (A) and tighten until flush against mount. DO NOT overtighten! (See Figure 4)
9. Repeat Steps 7 and 8 for remaining mounting holes.

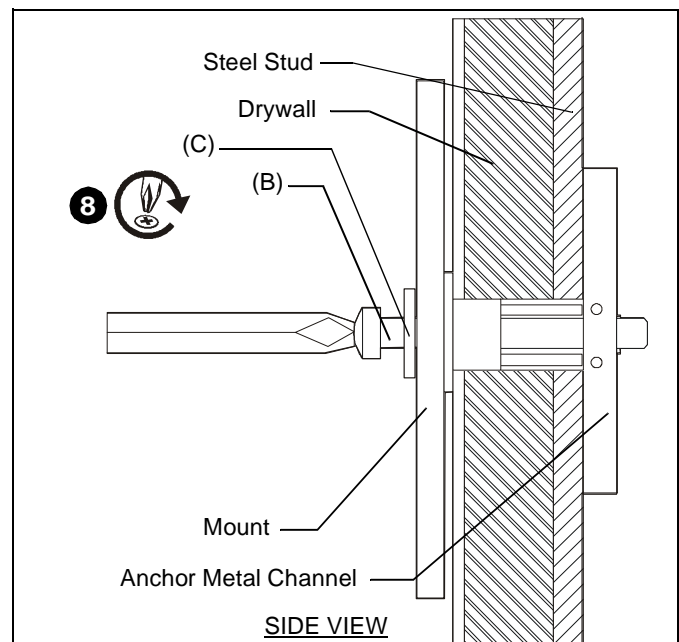


Figure 4



Our Mounts. **Your Vision.**

Chief Manufacturing, a products division
of Milestone AV Technologies

8809-002003 Rev01

©2013 Milestone AV Technologies, a
Duchossois Group Company

www.chiefmfg.com

02/13

USA/International	A 6436 City West Parkway, Eden Prairie, MN 55344
	P 800.582.6480 / 952.225.6000
	F 877.894.6918 / 952.894.6918
Europe	A Franklinstraat 14, 6003 DK Weert, Netherlands
	P +31 (0) 495 580 852
	F +31 (0) 495 580 845
Asia Pacific	A Office No. 1 on 12/F, Shatin Galleria 18-24 Shan Mei Street Fotan, Shatin, Hong Kong
	P 852 2145 4099
	F 852 2145 4477

