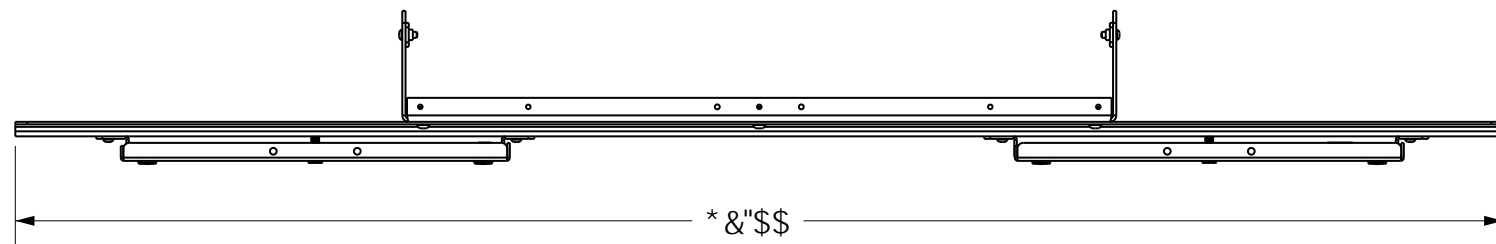


8



* &"\$\$

FACEPLATE MAY VARY IN STYLE

HC D'A CI BHB; '6I HC B'CB
DG6!LLLL '8F5K B; ; C 9G<9F9

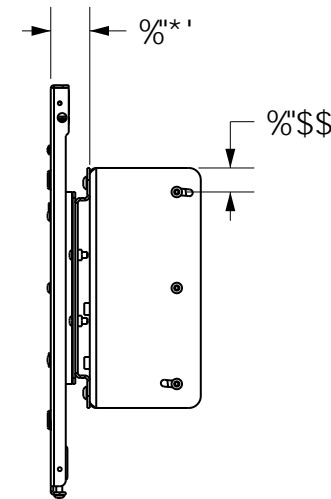
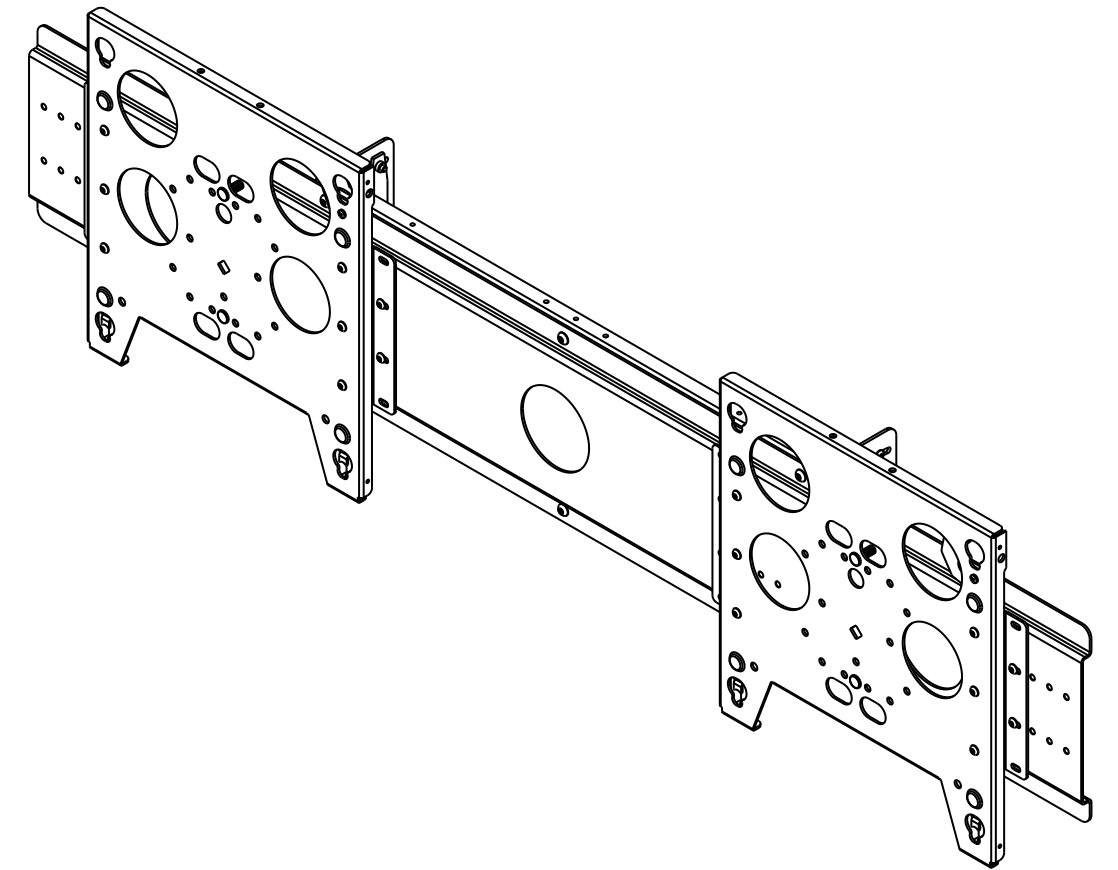
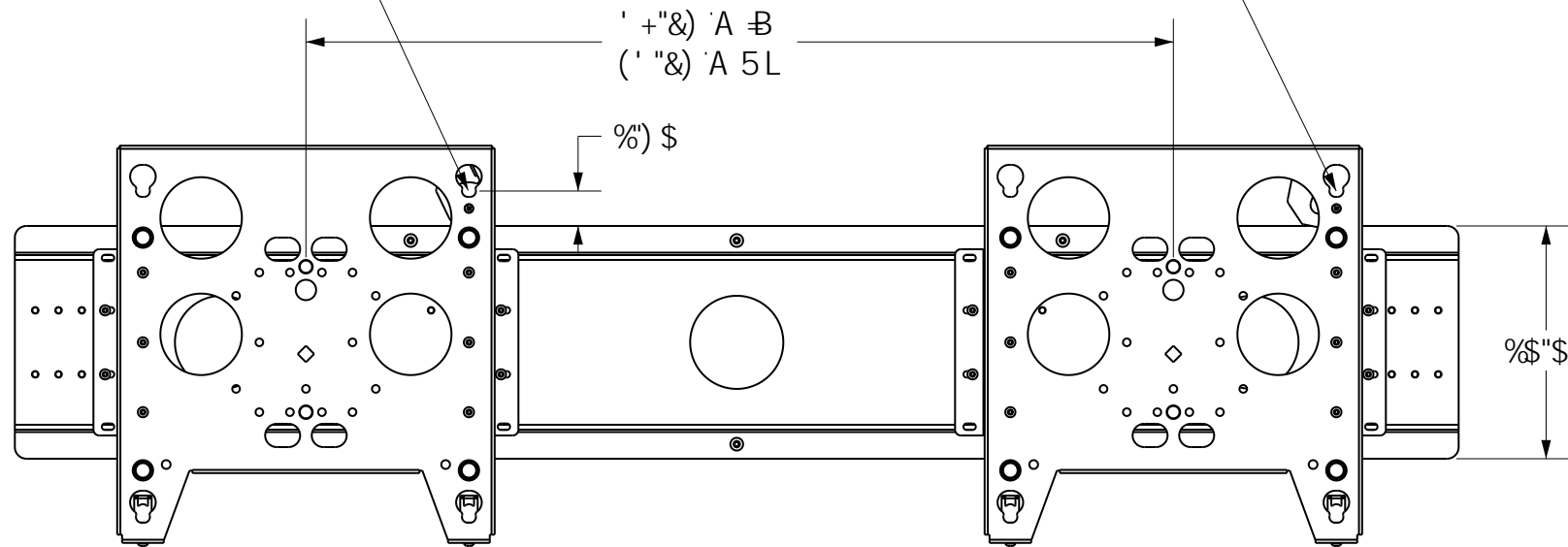
FACEPLATE MAY VARY IN STYLE

HC D'A CI BHB; '6I HC B'CB
DG6!LLLL '8F5K B; ; C 9G<9F9

' + "&' A B
(' "&' A 5L

%)" \$

%\$"\$



%"*'

%"\$

5



7<=> A 5BI : 57H F-B; 'B7"
A CI BHC F89' BI A 69F 'GD57!&\$\$
D<CB9.% , \$\$!), &* (, \$

G<99HG7 5 @'1 %,

H 9-B: CFA 5HCB '5B8 '89G< BG'7CBH5-B98
B' H-G'8F5K B; '5F97CB: -89BH5@5B8 H 9
DFC DF-9'5FMDFC D9'FMC: 7<=> 'A: ; 'Z-B7"
B9H 9' H-G'89G< B' BCF '5BM-B: CFA 5HCB
7CBH5-B98 B' H-G'8F5K B; 'A 5M69
F9DFC 8I 798'CF '8-67 @G98 HC CH 9FG
K H CI H 99LDF9GK F H B 7 CBG9BHC:
7<=> 'A: ; 'Z-B7"

CHIEF **7<=>:** A 5BI : 57H F-B; 'B7"
((\$%9S: @97 F997 D7K MG97'+S\$2G5J 5: 92A B '))' +,
%,\$\$), 8*(, \$ 1 : 5L %; ++; -(" - %

**71 GCA 9F DF-BH
D57!&\$\$**

G49' BK: "BC"
6 D57!&\$\$

8

7

6

5