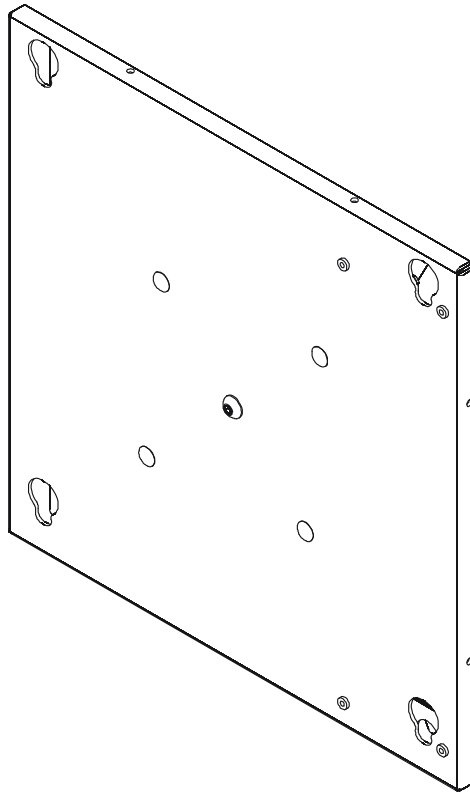

INSTALLATION INSTRUCTIONS



Large Flat Screen Rotation Accessory

Touchboards

205 Westwood Ave, Long Branch, NJ 07740
Phone: 866-94 BOARDS (26273) / (732)-222-1511
Fax: (732)-222-7088 | E-mail: sales@touchboards.com

 **CHIEF**[®]

Our Mounts. Your Vision.

PAC-400

DISCLAIMER

Milestone AV Technologies, Inc., and its affiliated corporations and subsidiaries (collectively, "Milestone"), intend to make this manual accurate and complete. However, Milestone makes no claim that the information contained herein covers all details, conditions or variations, nor does it provide for every possible contingency in connection with the installation or use of this product. The information contained in this document is subject to change without notice or obligation of any kind. Milestone makes no representation of warranty, expressed or implied, regarding the information contained herein. Milestone assumes no responsibility for accuracy, completeness or sufficiency of the information contained in this document.

! IMPORTANT WARNINGS AND CAUTIONS!

! WARNING: A WARNING alerts you to the possibility of serious injury or death if you do not follow the instructions.

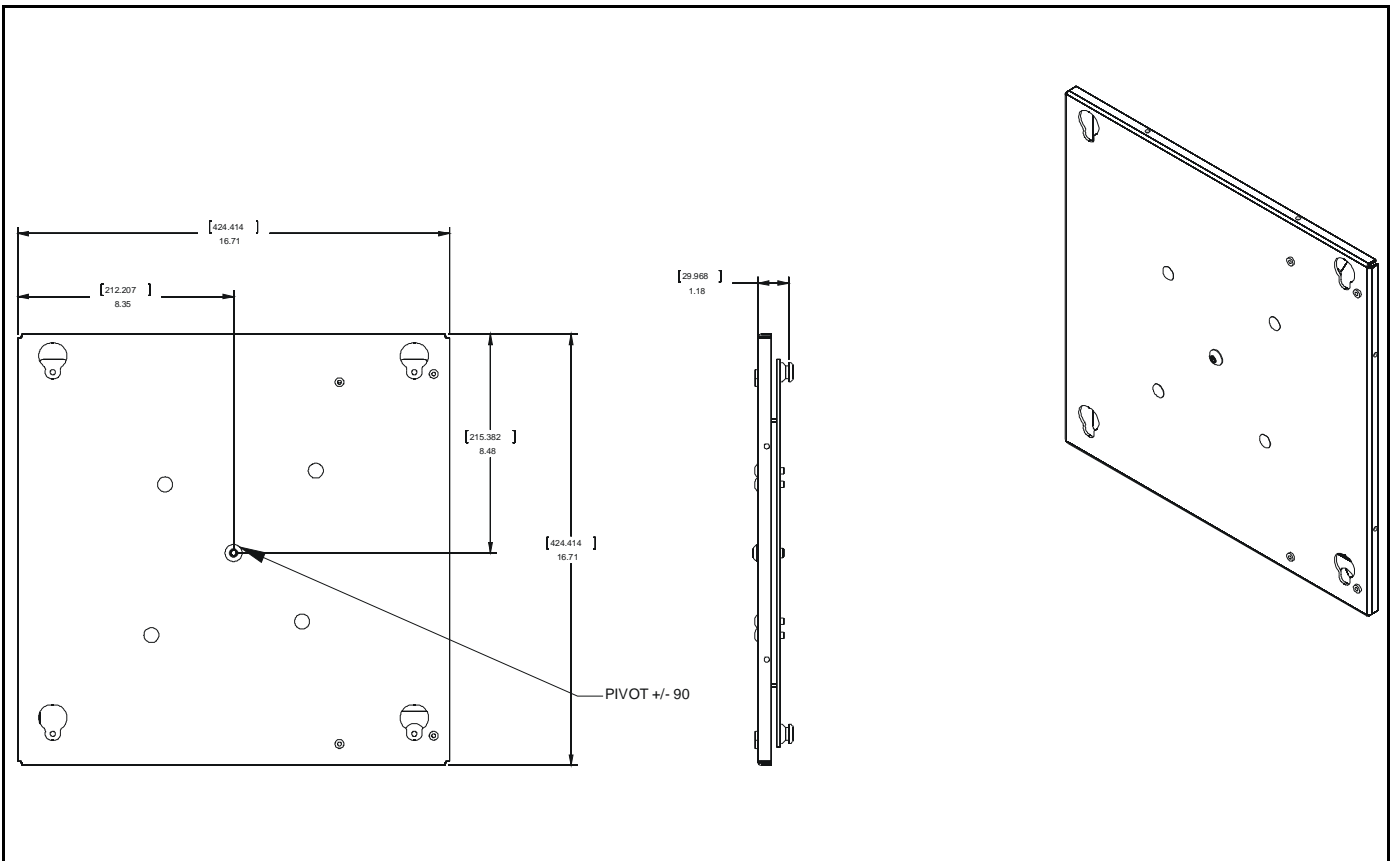
! CAUTION: A CAUTION alerts you to the possibility of damage or destruction of equipment if you do not follow the corresponding instructions.

! WARNING: Failure to read, thoroughly understand, and follow all instructions can result in serious personal injury, damage to equipment, or voiding of factory warranty! It is the installer's responsibility to make sure all components are properly assembled and installed using the instructions provided.

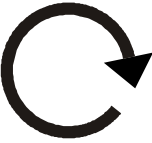
! WARNING: Failure to provide adequate structural strength for this component can result in serious personal injury or damage to equipment! It is the installer's responsibility to make sure the structure to which this component is attached can support five times the combined weight of all equipment. Reinforce the structure as required before installing the component.


! WARNING: Exceeding the weight capacity can result in serious personal injury or damage to equipment! It is the installer's responsibility to make sure the combined weight of all components does not exceed the maximum weight capacity of the mount to which this accessory is being installed.


DIMENSIONS





LEGEND


	Tighten Fastener
	Apretar elemento de fijación
	Befestigungsteil festziehen
	Apertar fixador
	Serrare il fissaggio
	Bevestiging vastdraaien
Serrez les fixations	


	Pencil Mark
	Marcar con lápiz
	Stiftmarkierung
	Marcar com lápis
	Segno a matita
	Potloodmerkten
Marquage au crayon	


	Loosen Fastener
	Aflojar elemento de fijación
	Befestigungsteil lösen
	Desapertar fixador
	Allentare il fissaggio
	Bevestiging losdraaien
Desserrez les fixations	


	Drill Hole
	Perforar
	Bohrloch
	Fazer furo
	Praticare un foro
	Gat boren
Percez un trou	

	Phillips Screwdriver
	Destornillador Phillips
	Kreuzschlitzschraubendreher
	Chave de fendas Phillips
	Cacciavite a stella
	Kruiskopschroevendraaier
Tournevis à pointe cruciforme	

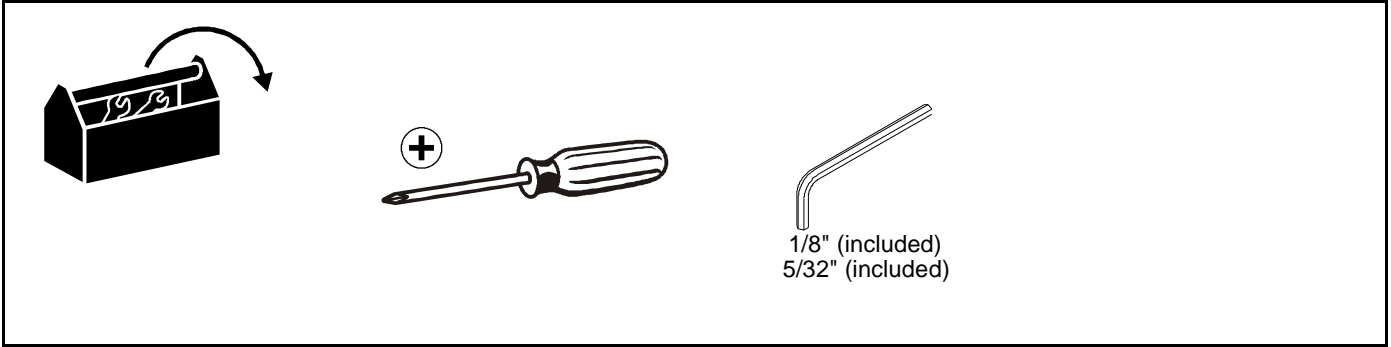
	Optional
	Opcional
	Optional
	Opcional
	Opzionale
	Optie
En option	

	Open-Ended Wrench
	Llave de boca
	Gabelschlüssel
	Chave de bocas
	Chiave a punte aperte
	Steeksleutel
Clé à fourche	

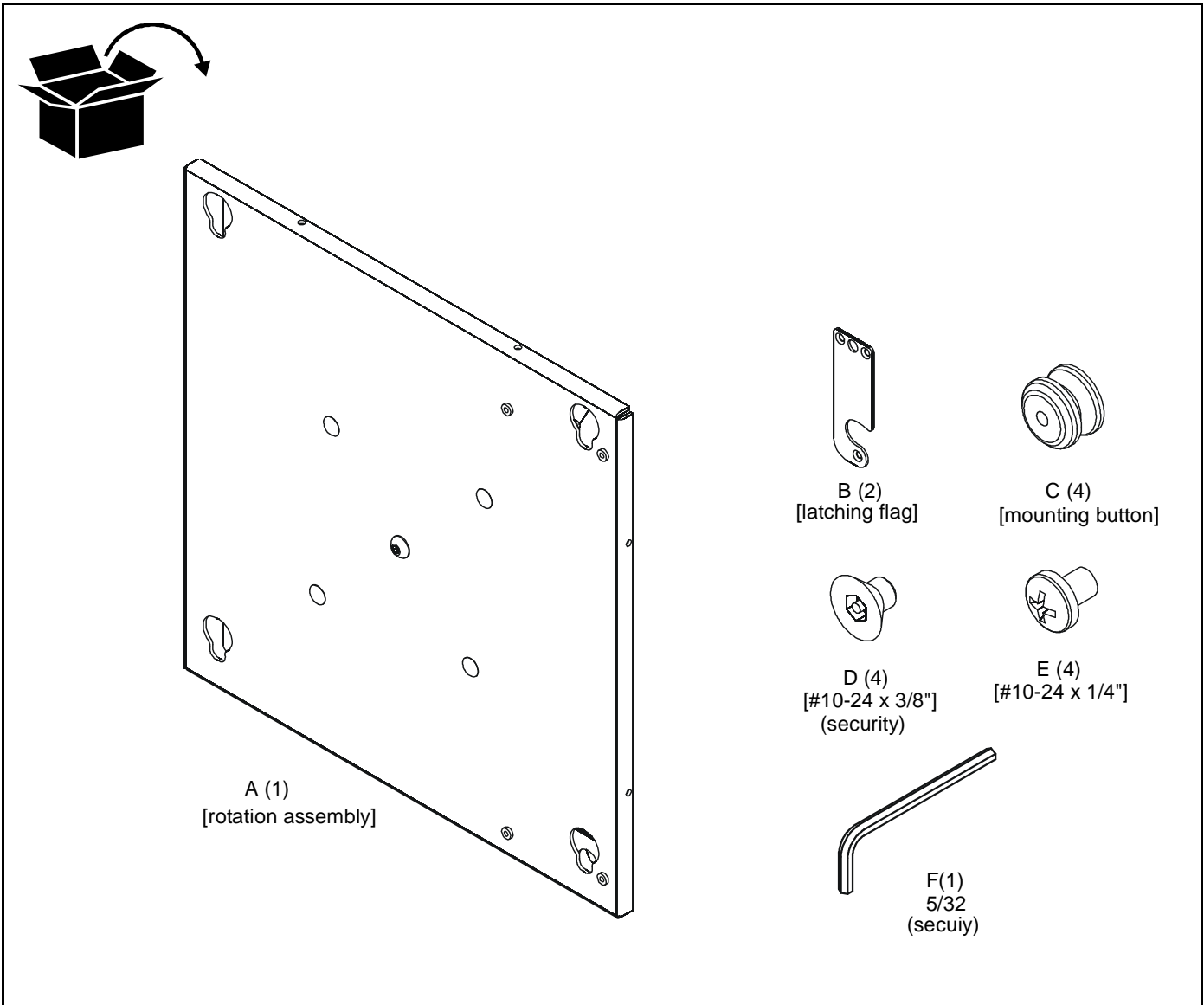
	Security Wrench
	Llave de seguridad
	Sicherheitsschlüssel
	Chave de segurança
	Chiave di sicurezza
	Veiligheidssleutel
Clé de sécurité	

	Hex-Head Wrench
	Llave de cabeza hexagonal
	Sechskantschlüssel
	Chave de cabeça sextavada
	Chiave esagonale
	Zeskantsleutel
Clé à tête hexagonale	

TOOLS REQUIRED FOR INSTALLATION



PARTS



Assembly And Installation

1. Remove screen from Chief mount or , if not installed, install PSB interface bracket to back of screen per instructions supplied with mount.
2. Attach mounting buttons to rotation assembly, making sure the buttons are securely fastened. (See Figure 2)

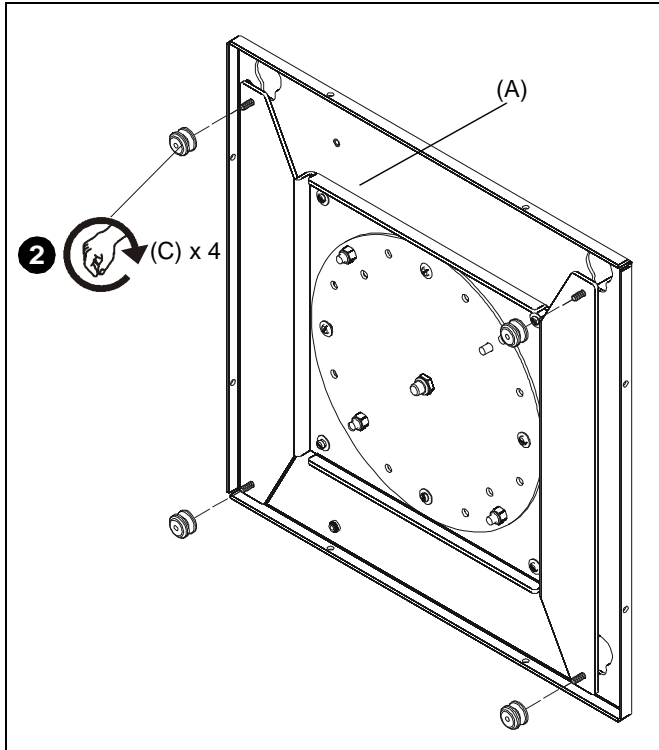


Figure 1

3. Attach to PSB interface bracket by placing the mounting buttons of PSB into the teardrop slots of PAC-400. Make sure the mounting buttons are placed securely in teardrop slots. (See Figure 2)

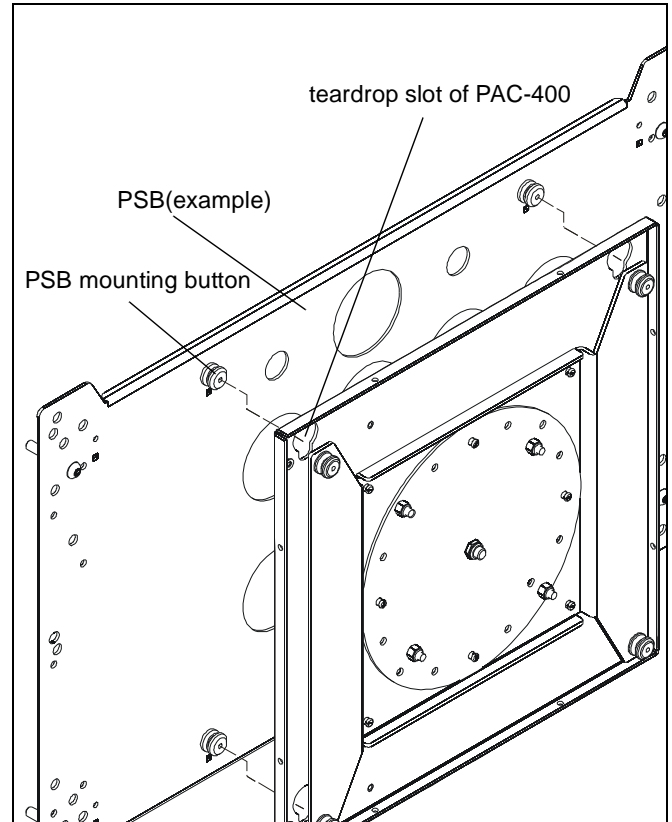


Figure 2

4. Place latching flags over buttons and secure using a 10-24 Phillips head cap screws.

NOTE: Use 10-24 x 1/4" Phillips security screws (D) and security hex key instead of Phillips screws for added security. (See Figure 3)

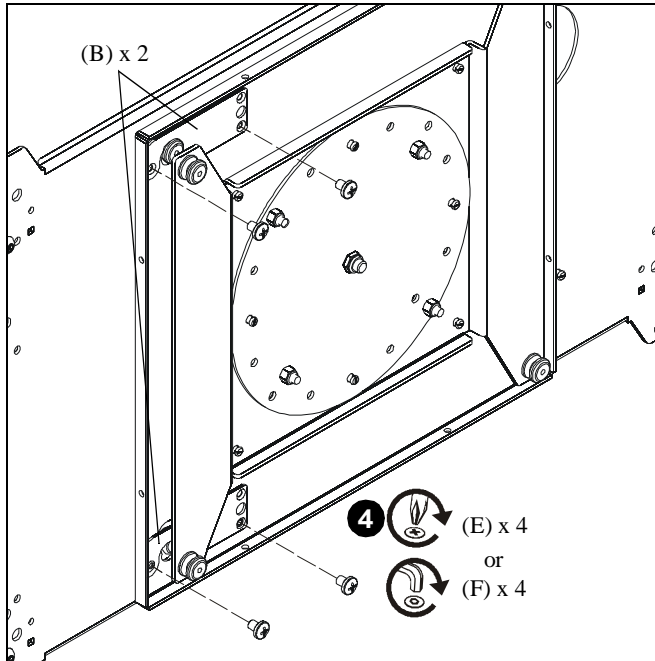


Figure 3

5. Set desired amount of friction for rotating screen by tightening or loosening nuts on back side of PAC-400. (See Figure 4)

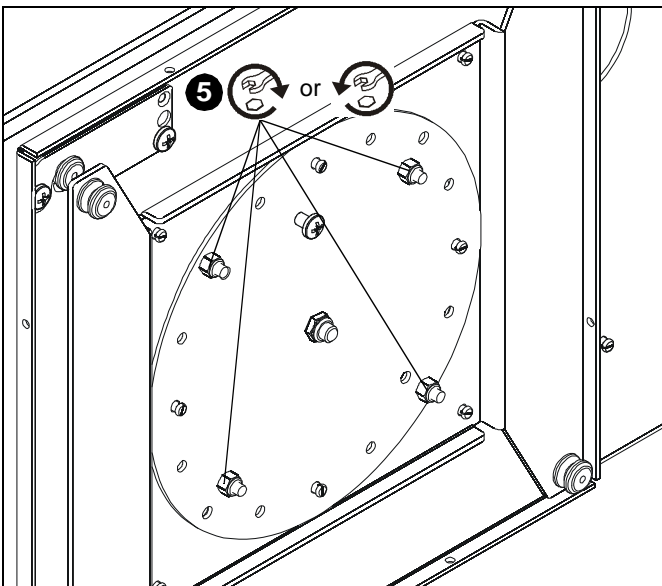


Figure 4

6. With the aid of another person, lift display and PAC-400 up to mount, aligning buttons of rotation accessory with slots in the Chief mount.
7. Raise safety latch on Chief mount to secure display, making sure latch is completely engaged.
8. To rotate screen the other way, take screen and rotation accessory from Chief mount and rotate the back plate of the PAC-400 by 90 degrees.
9. Install screen on Chief mount.

Cable Management (Optional)

1. Use holes on outside bends to tie wires for cable management. (See Figure 5)

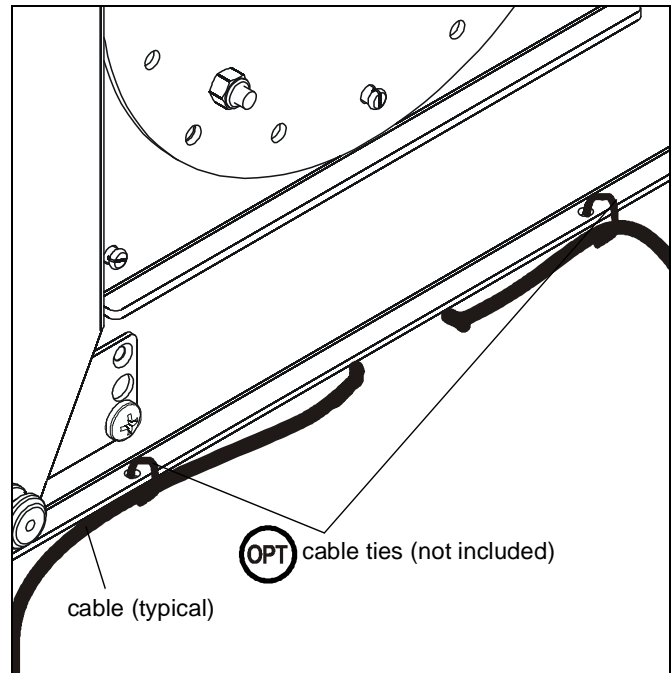


Figure 5

NOTE: On tilting mounts, it may be necessary to increase friction on tilting mechanism since PAC-400 adds depth to overall installation and roll adjustment on PDS mount may need tightening.



Our Mounts. **Your Vision.**

Chief Manufacturing, a products division
of Milestone AV Technologies

8809-000012 Rev 02

©2010 Milestone AV Technologies, a

Duchossois Group Company

www.chiefmfg.com

08/10

USA/International	A 8401 Eagle Creek Parkway, Savage, MN 55378
	P 800.582.6480 / 952.894.6280
	F 877.894.6918 / 952.894.6918
Europe	A Fellenoord 130 5611 ZB EINDHOVEN, The Netherlands
	P +31 (0)40 2668620
	F +31 (0)40 2668615
Asia Pacific	A Office No. 1 on 12/F, Shatin Galleria 18-24 Shan Mei Street Fotan, Shatin, Hong Kong
	P 852 2145 4099
	F 852 2145 4477

