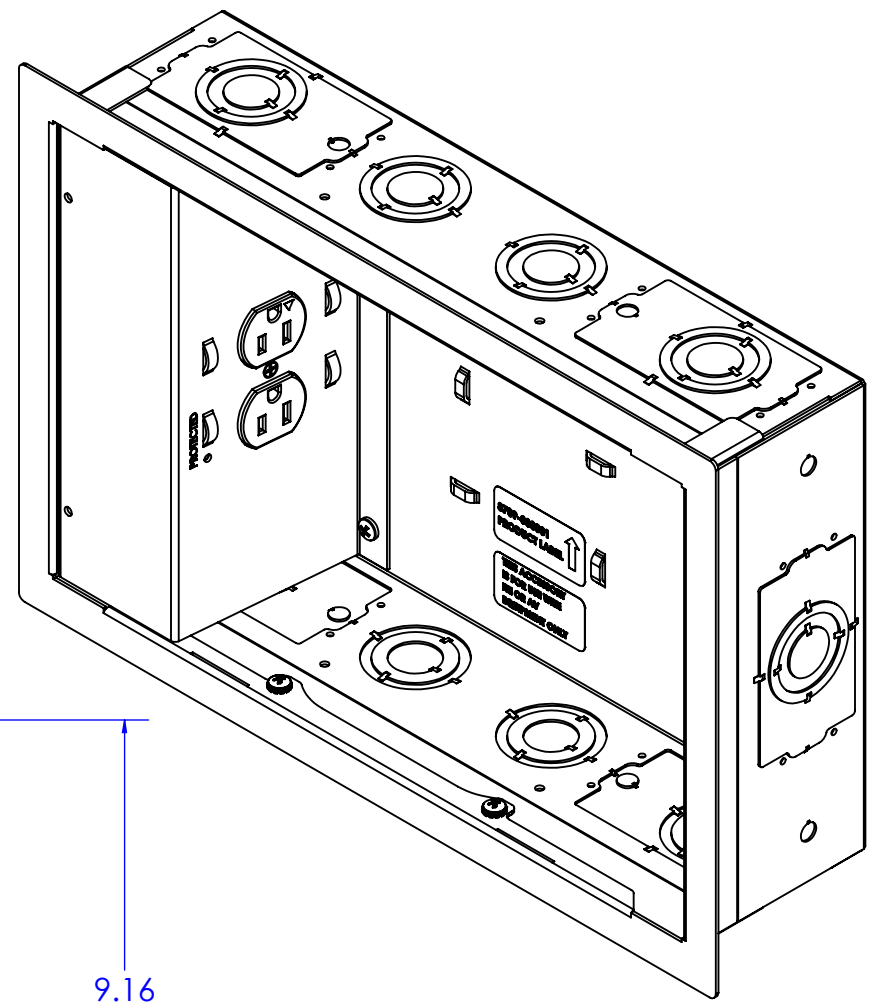
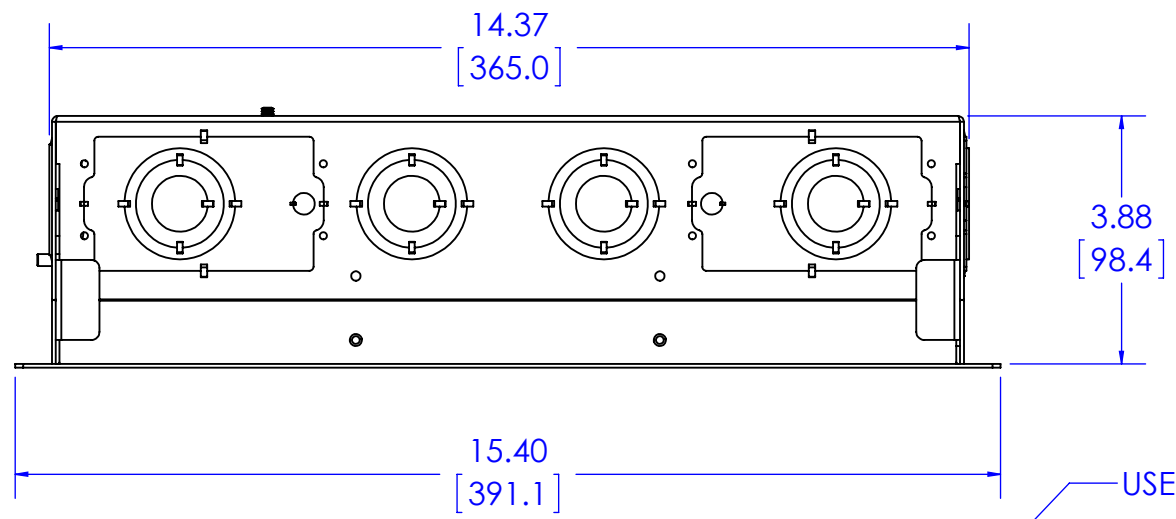
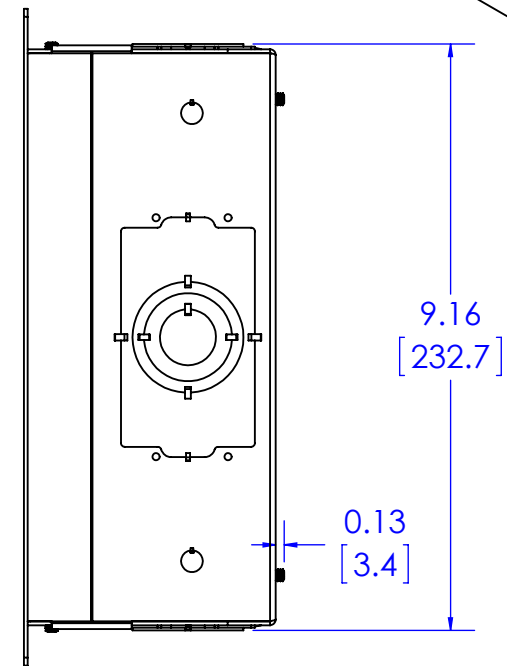
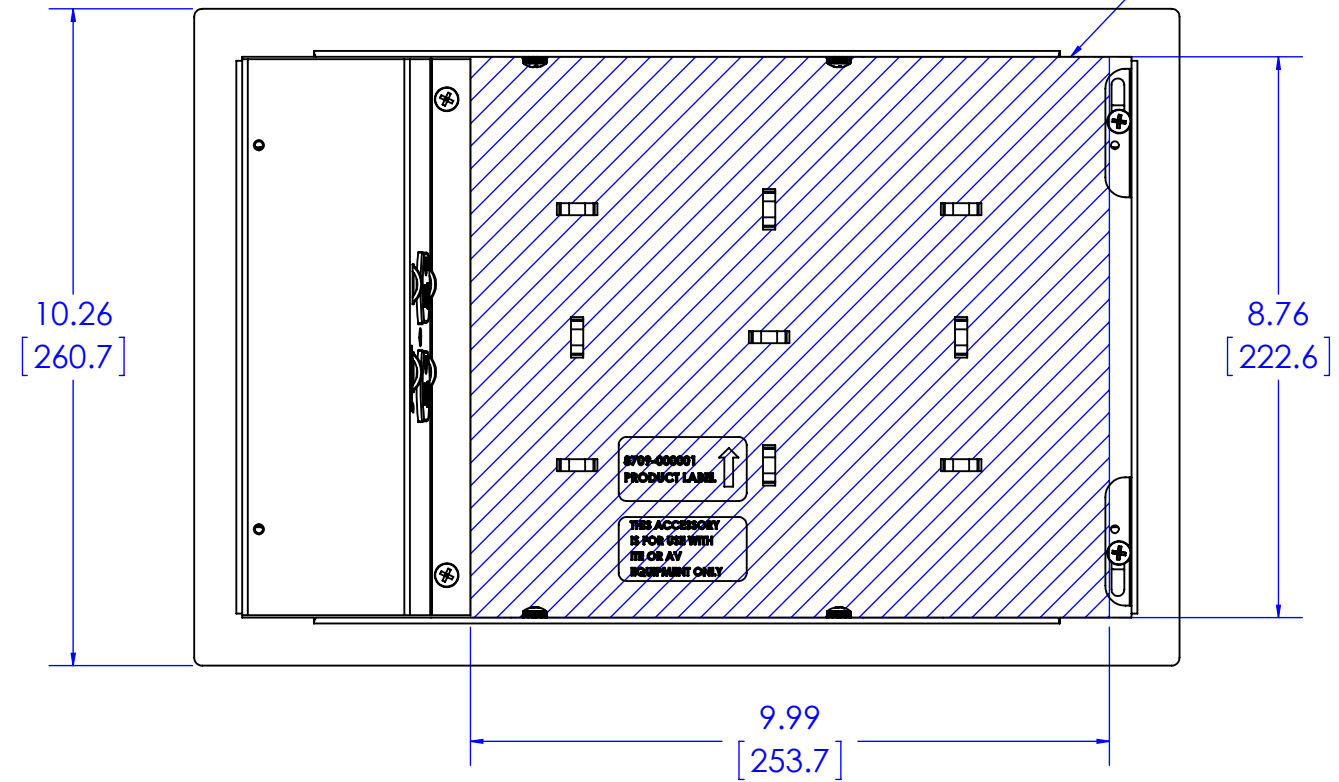


SEE PAC525 FOR ADDITIONAL IN-WALL BOX DIMENSIONS



USEABLE STORAGE SPACE



205 Westwood Ave, Long Branch, NJ 07740
 Phone: 866-94 BOARDS (26273) / (732)-222-1511
 Fax: (732)-222-7088 | E-mail: sales@touchboards.com

- AC LINE POWER CONDITIONER 125 V~, 60 Hz, 15 A**
- 4x14 AWG STRANDED WIRE W/ ISOLATED GROUND**
- SURGE PROTECTION**
- EMI/RFI FILTERING**
- POWER CONSUMPTION: <0.5 WATT**

THE INFORMATION AND DESIGNS CONTAINED IN THIS DRAWING ARE CONFIDENTIAL AND THE PROPRIETARY PROPERTY OF MILESTONE AV TECHNOLOGIES NEITHER THIS DESIGN NOR ANY INFORMATION CONTAINED IN THIS DRAWING MAY BE REPRODUCED OR DISCLOSED TO OTHERS WITHOUT THE EXPRESS WRITTEN CONSENT OF MILESTONE AV TECHNOLOGIES.

CAD GENERATED DRAWING, DO NOT MANUALLY UPDATE.			CHIEF 6436 CITY WEST PKWY EDEN PRAIRIE, MN, 55344 PHONE: 866-977-3901 FAX: 877-894-6918
DRAWN BY	MM	8/3/2015	
ENG APPROVAL			DESCRIPTION PAC525 SMALL IN-WALL BOX W/ POWER
MFG APPROVAL			MODEL NO. PAC525FxP2
QA APPROVAL			SIZE DWG. NO. B TECH-000725
SHEET 1 OF 1			REV. 01