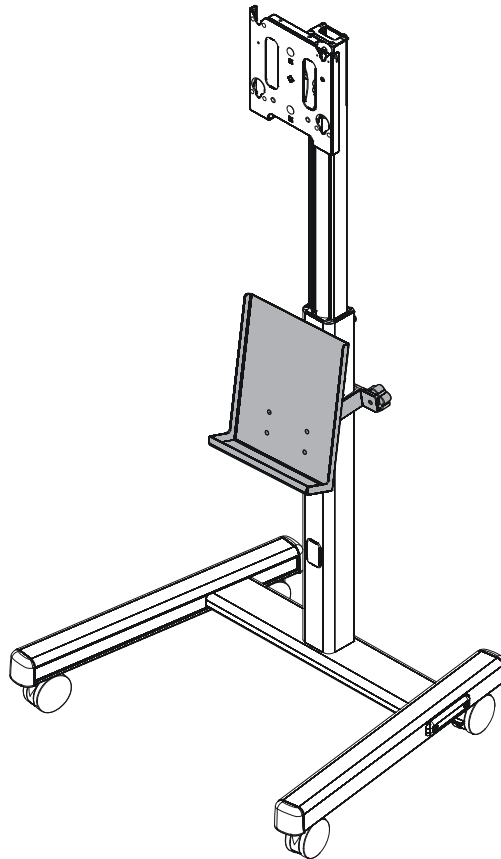

INSTALLATION INSTRUCTIONS



Literature Shelf

Touchboards

205 Westwood Ave, Long Branch, NJ 07740
Phone: 866-94 BOARDS (26273) / (732)-222-1511
Fax: (732)-222-7088 | E-mail: sales@touchboards.com

DISCLAIMER

Milestone AV Technologies and its affiliated corporations and subsidiaries (collectively "Milestone"), intend to make this manual accurate and complete. However, Milestone makes no claim that the information contained herein covers all details, conditions or variations, nor does it provide for every possible contingency in connection with the installation or use of this product. The information contained in this document is subject to change without notice or obligation of any kind. Milestone makes no representation of warranty, expressed or implied, regarding the information contained herein. Milestone assumes no responsibility for accuracy, completeness or sufficiency of the information contained in this document.

Chief® is a registered trademark of Milestone AV Technologies. All rights reserved.

! IMPORTANT WARNINGS AND CAUTIONS!

! WARNING: A WARNING alerts you to the possibility of serious injury or death if you do not follow the instructions.

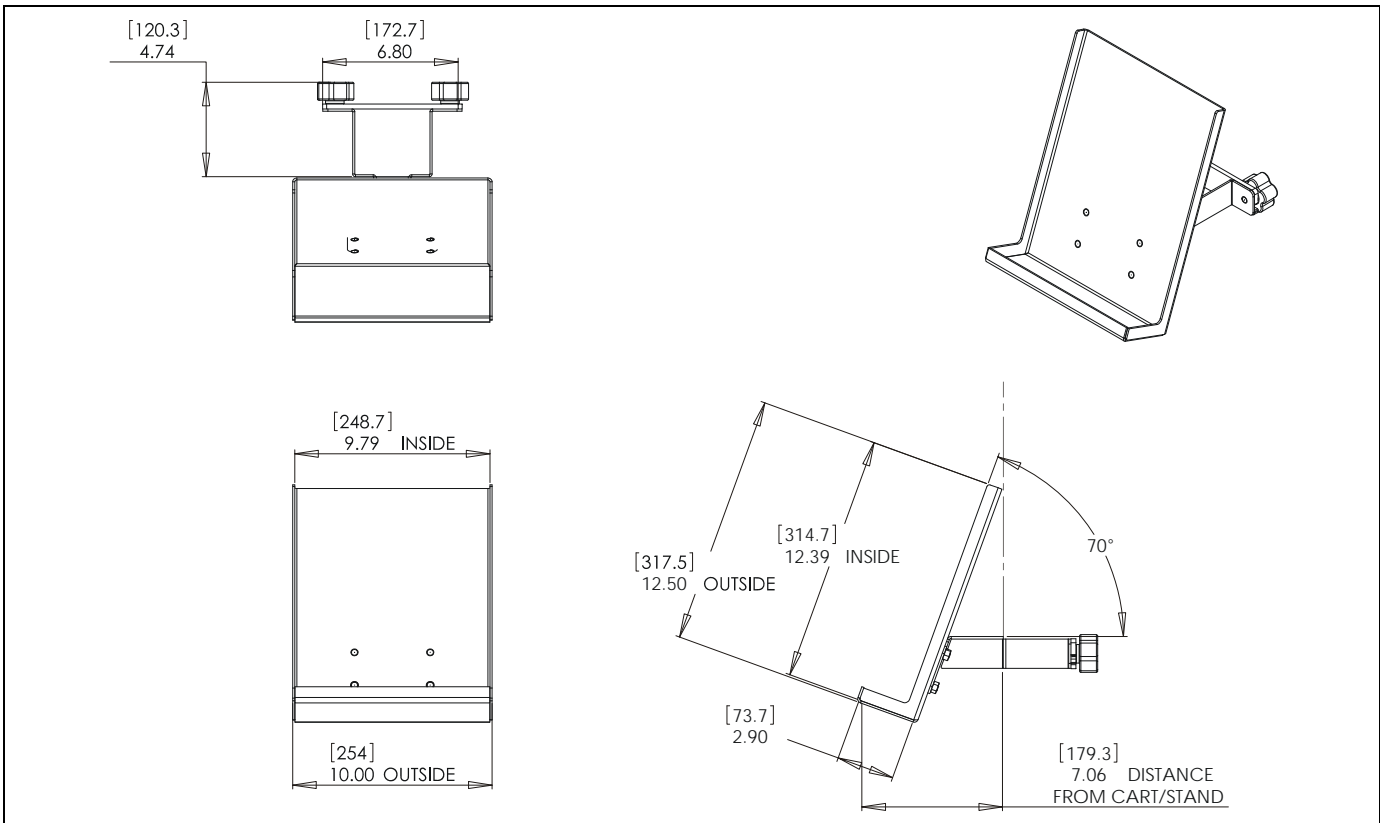
! CAUTION: A CAUTION alerts you to the possibility of damage or destruction of equipment if you do not follow the corresponding instructions.

! WARNING: Failure to read, thoroughly understand, and follow all instructions can result in serious personal injury, damage to equipment, or voiding of factory warranty! It is the installer's responsibility to make sure all components are properly assembled and installed using the instructions provided.

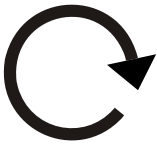

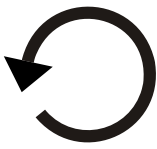









! WARNING: Failure to provide adequate structural strength for this component can result in serious personal injury or damage to equipment! It is the installer's responsibility to make sure the structure to which this component is attached can support five times the combined weight of all equipment. Reinforce the structure as required before installing the component.

! WARNING: Exceeding the weight capacity can result in serious personal injury or damage to equipment! It is the installer's responsibility to make sure the combined weight of all literature and accessories mounted on the PAC717 does not exceed 25 lbs (11.34 kg).

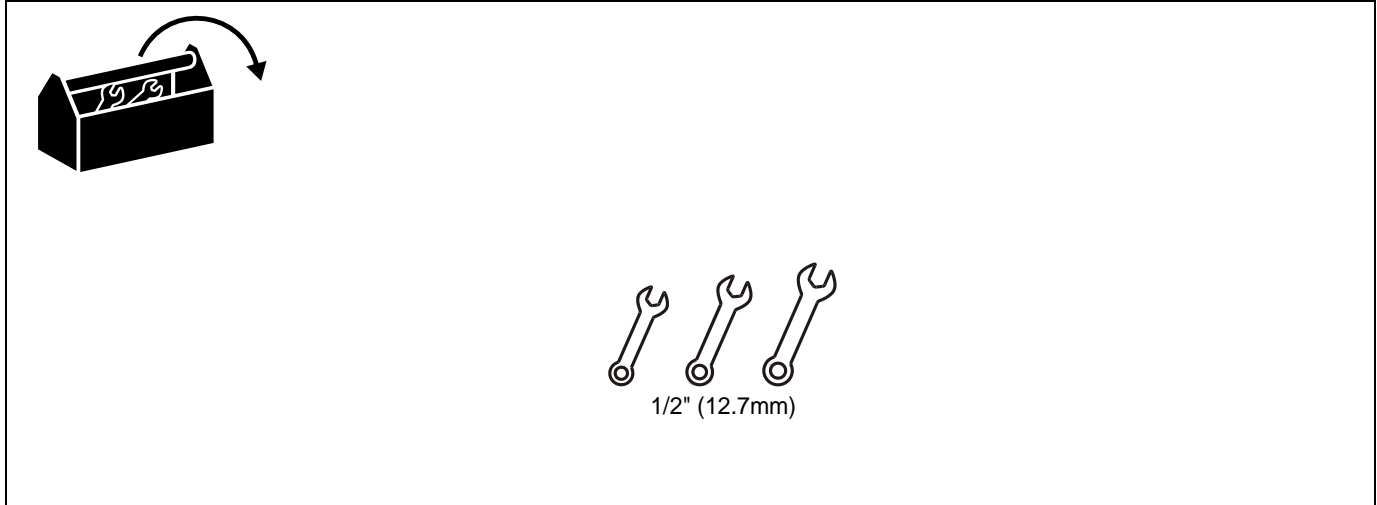
DIMENSIONS



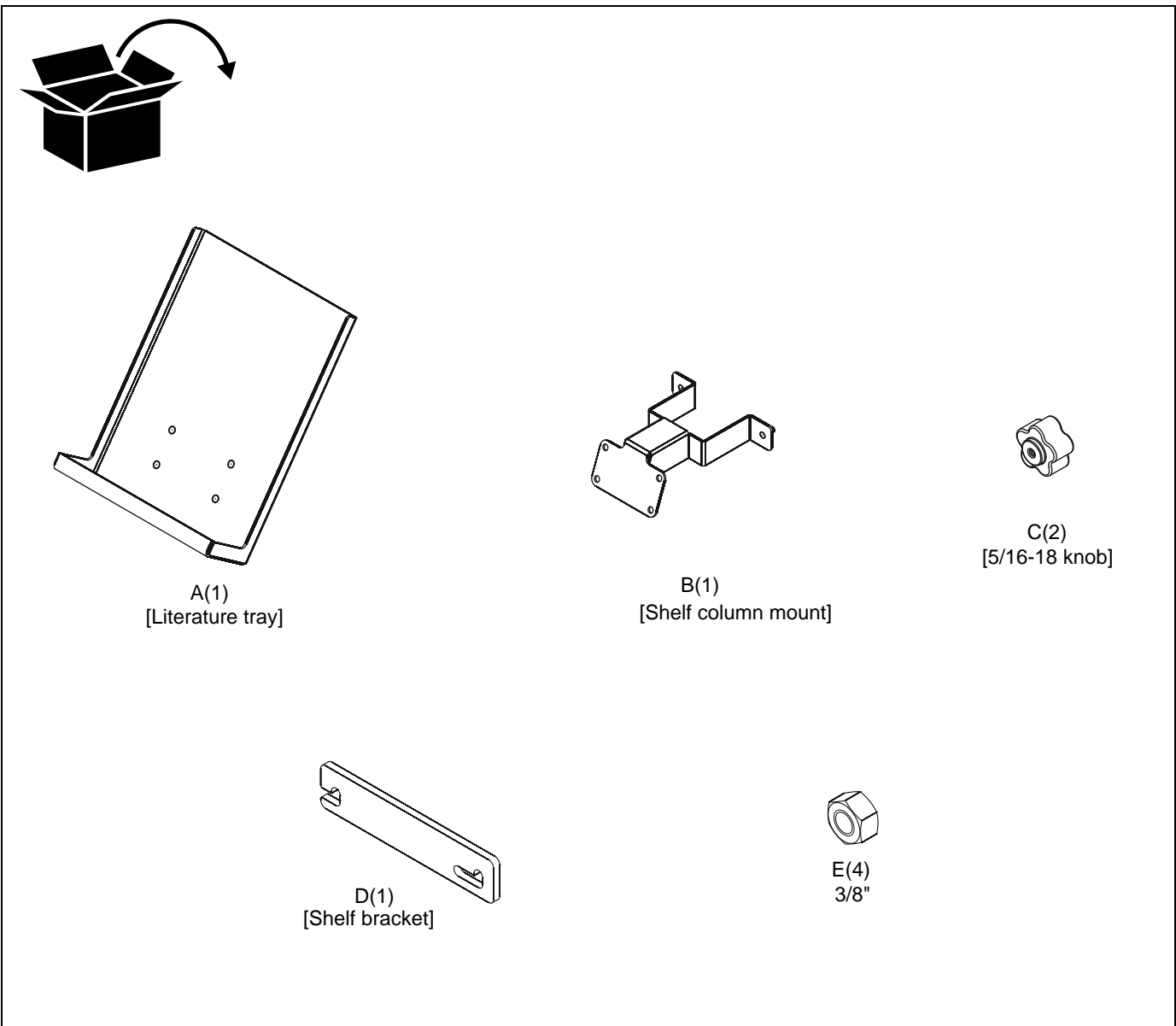
LEGEND

	<p>Tighten Fastener</p> <p>Apretar elemento de fijación</p> <p>Befestigungsteil festziehen</p> <p>Apertar fixador</p> <p>Serrare il fissaggio</p> <p>Bevestiging vastdraaien</p> <p>Serrez les fixations</p>		<p>Pencil Mark</p> <p>Marcar con lápiz</p> <p>Stiftmarkierung</p> <p>Marcar com lápis</p> <p>Segno a matita</p> <p>Potloodmerkten</p> <p>Marquage au crayon</p>
	<p>Loosen Fastener</p> <p>Afajar elemento de fijación</p> <p>Befestigungsteil lösen</p> <p>Desapertar fixador</p> <p>Allentare il fissaggio</p> <p>Bevestiging losdraaien</p> <p>Desserrez les fixations</p>		<p>Drill Hole</p> <p>Perforar</p> <p>Bohrloch</p> <p>Fazer furo</p> <p>Praticare un foro</p> <p>Gat boren</p> <p>Percez un trou</p>
	<p>Phillips Screwdriver</p> <p>Destornillador Phillips</p> <p>Kreuzschlitzschraubendreher</p> <p>Chave de fendas Phillips</p> <p>Cacciavite a stella</p> <p>Kruiskopschroevendraaier</p> <p>Tournevis à pointe cruciforme</p>		<p>Adjust</p> <p>Ajustar</p> <p>Einstellen</p> <p>Ajustar</p> <p>Regolare</p> <p>Afstellen</p> <p>Ajuster</p>
	<p>Open-Ended Wrench</p> <p>Llave de boca</p> <p>Gabelschlüssel</p> <p>Chave de bocas</p> <p>Chiave a punte aperte</p> <p>Steeksleutel</p> <p>Clé à fourche</p>		<p>Remove</p> <p>Quitar</p> <p>Entfernen</p> <p>Remover</p> <p>Rimuovere</p> <p>Verwijderen</p> <p>Retirez</p>
	<p>By Hand</p> <p>A mano</p> <p>Von Hand</p> <p>Com a mão</p> <p>A mano</p> <p>Met de hand</p> <p>À la main</p>		<p>Optional</p> <p>Opcional</p> <p>Optional</p> <p>Opcional</p> <p>Opzionale</p> <p>Optie</p> <p>En option</p>
	<p>Hex-Head Wrench</p> <p>Llave de cabeza hexagonal</p> <p>Sechskantschlüssel</p> <p>Chave de cabeça sextavada</p> <p>Chiave esagonale</p> <p>Zeskantsleutel</p> <p>Clé à tête hexagonale</p>		<p>Security Wrench</p> <p>Llave de seguridad</p> <p>Sicherheitsschlüssel</p> <p>Chave de segurança</p> <p>Chiave di sicurezza</p> <p>Veiligheidsleutel</p> <p>Clé de sécurité</p>

TOOLS REQUIRED FOR INSTALLATION



PARTS



Assembly And Installation

Assemble Literature Tray

1. Place shelf column mount (B) over bolts on back of literature tray (A). (See Figure 1)
2. Install four 3/8" hex nuts (E) to bolts on back of literature tray (A) to secure shelf column mount (B) to tray. (See Figure 1)

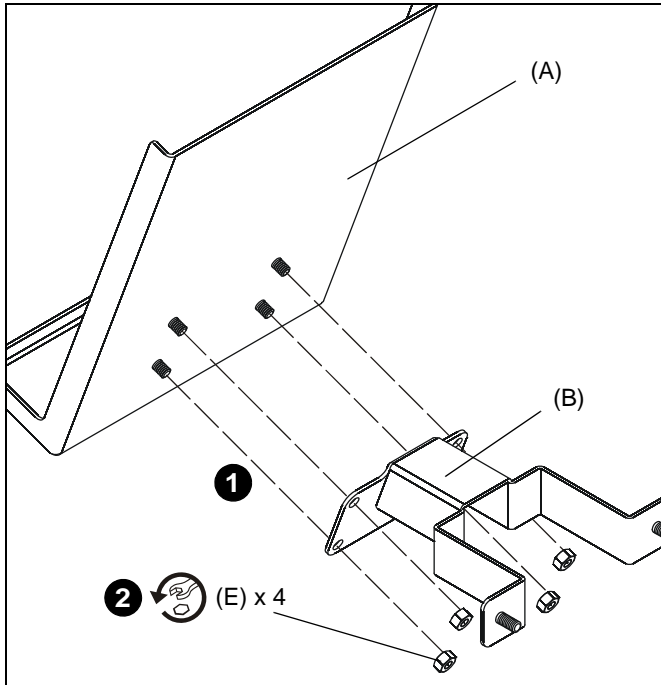


Figure 1

3. Place shelf bracket (D) over bolts on flanges of shelf column mount (B). (See Figure 2)
4. Thread two 5/16-18" knobs (C) onto bolts until shelf bracket is secured to shelf column mount. (See Figure 2)

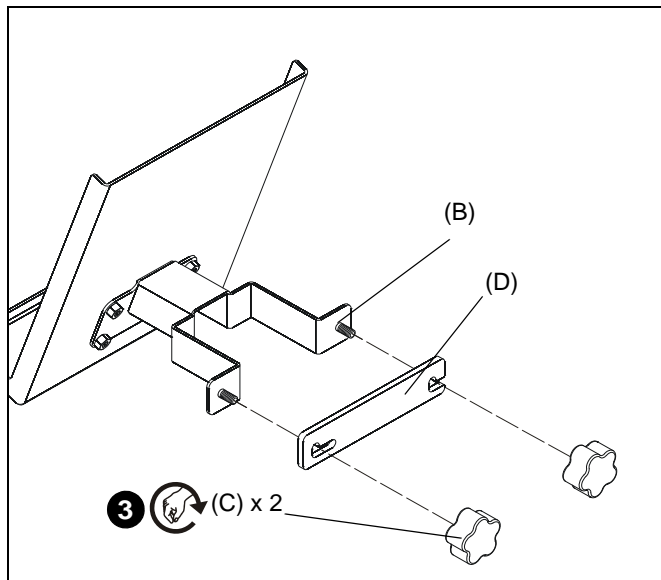


Figure 2

Attach Literature Tray to Cart/Stand

1. Loosen back bracket (D) by turning both knobs counterclockwise. Do NOT remove knobs. (See Figure 3)

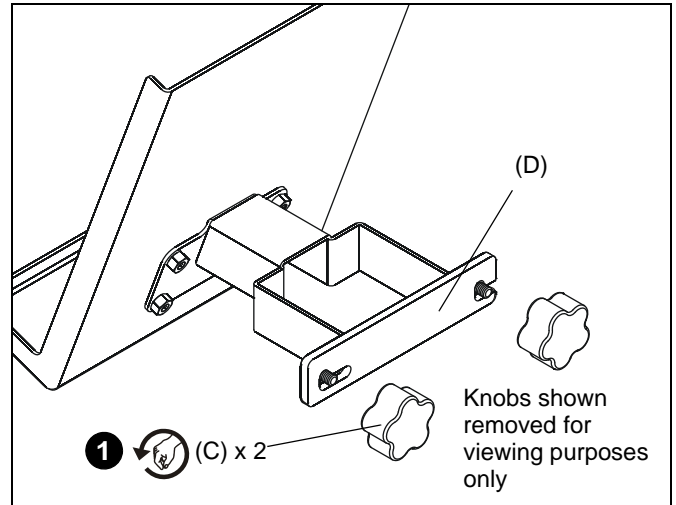


Figure 3

2. Slide bracket to the left until it disengages from the right stud. (See Figure 4)

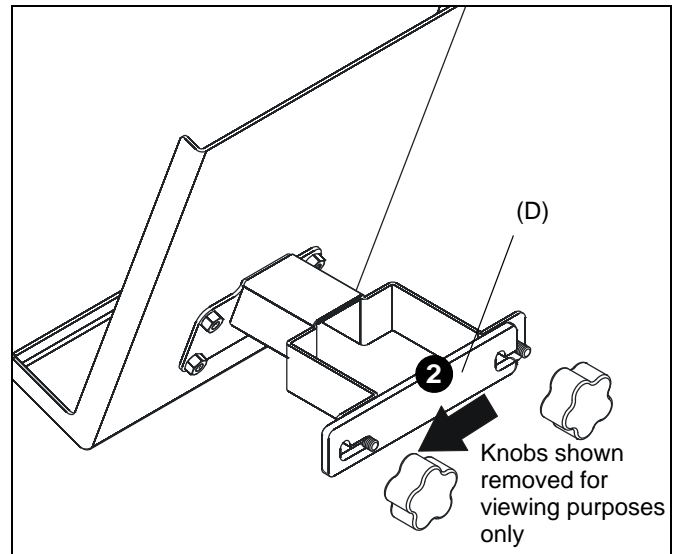


Figure 4

3. Let the bracket drop down and hang from the shelf's left stud. (See Figure 5)

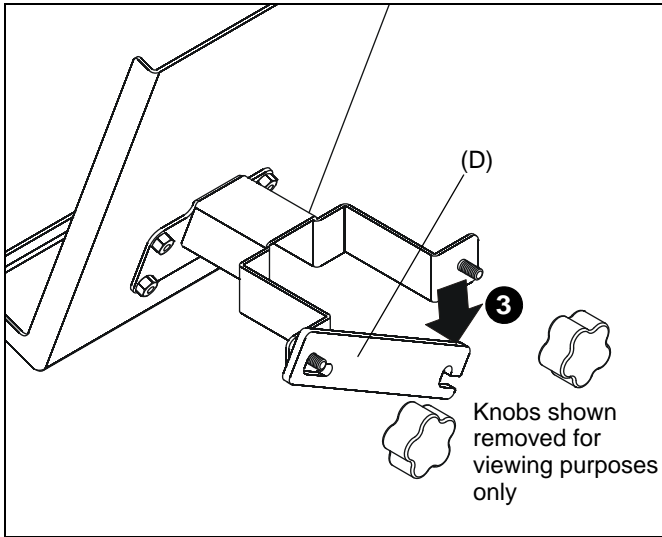


Figure 5

4. Position shelf column mount (B) around lower extrusion of cart/stand at desired mounting height. (See Figure 6)
5. Raise shelf bracket and hook over shelf's right stud. (See Figure 6)
6. Turn both knobs clockwise to tighten the shelf in place. (See Figure 6)

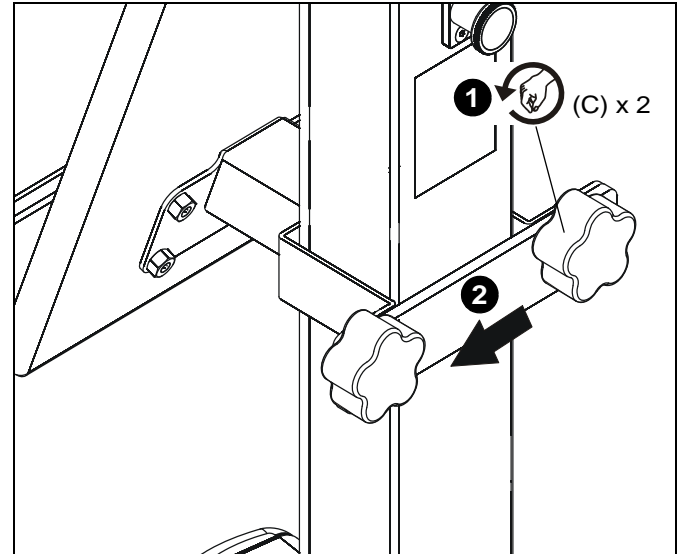


Figure 7

3. Let the bracket drop down and hang from the shelf's left stud. (See Figure 8)
4. Adjust literature tray to desired height. (See Figure 8)

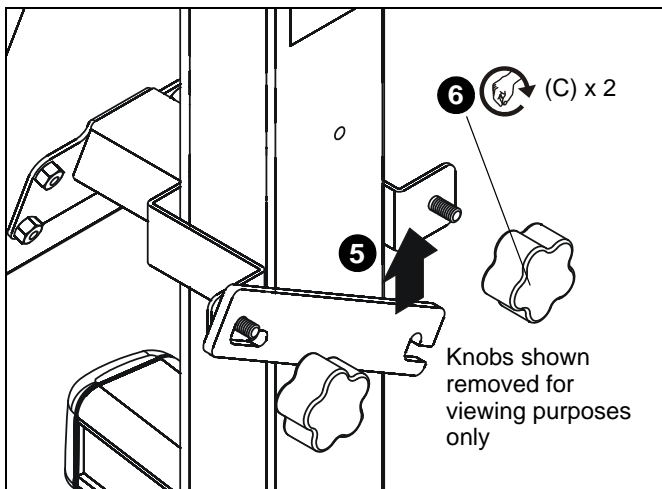


Figure 6

Adjustments

Height Adjustment

1. Loosen back bracket (D) by turning both knobs counterclockwise. Do NOT remove knobs. (See Figure 7)
2. Slide bracket to the left until it disengages from the right stud. (See Figure 7)

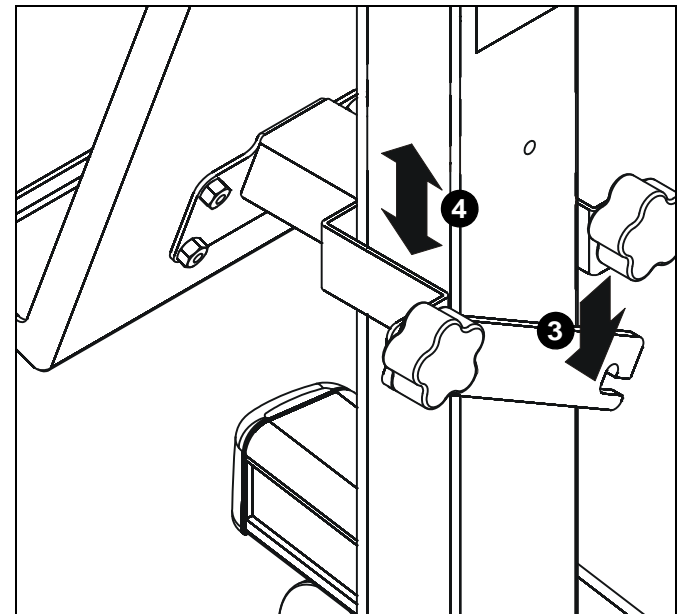


Figure 8

5. Raise shelf bracket and hook over shelf's right stud. (See Figure 9)
6. Turn both knobs clockwise to tighten the shelf in place. (See Figure 9)

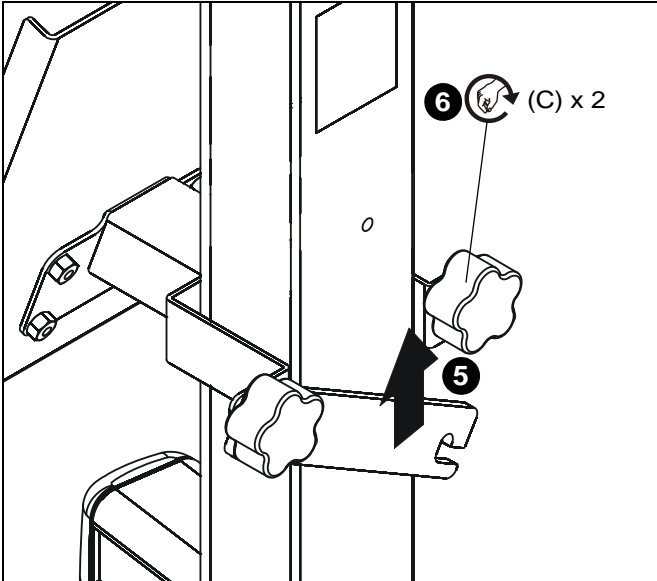


Figure 9



Our Mounts. **Your Vision.**

Chief Manufacturing, a products division
of Milestone AV Technologies

8807-002002 REV 01
©2009 Milestone AV Technologies, a
Duchossois Group Company
www.chiefmfg.com
05/09

USA/International **A** 8401 Eagle Creek Parkway, Savage, MN 55378
 P 800.582.6480 / 952.894.6280
 F 877.894.6918 / 952.894.6918

Europe **A** Fellenoord 130 5611 ZB EINDHOVEN, The Netherlands
 P +31 (0)40 2668620
 F +31 (0)40 2668615

Asia Pacific **A** Room 24F, Block D, Lily YinDu International Building
 LuoGang, BuJi Town, Shenzhen, CHINA.
 深圳市布吉罗岗村百合银都国际大厦D栋24F
 P +86-755-8996 9226
 F +86-755-8996 9217

