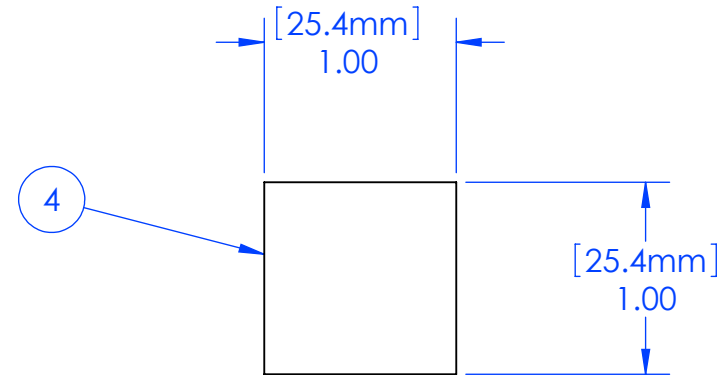
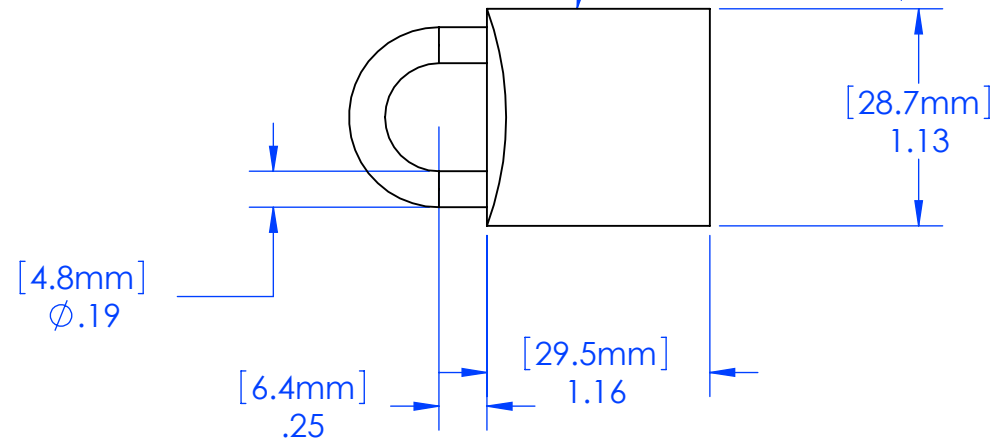
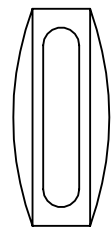
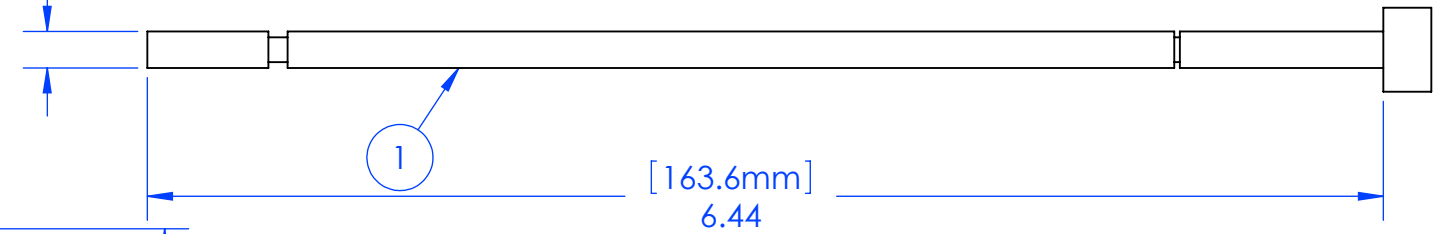
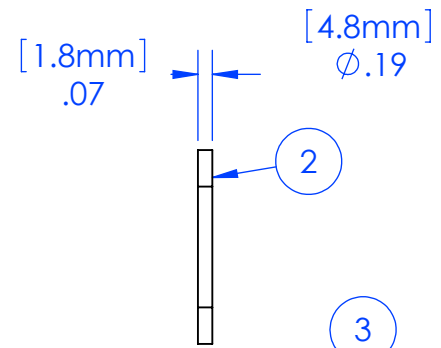
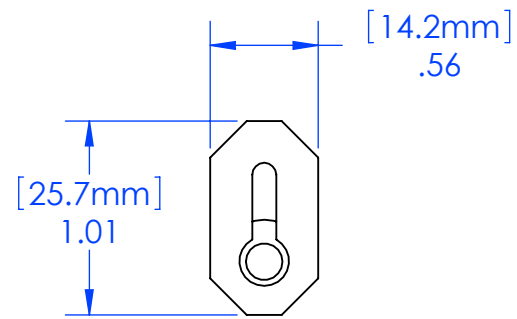
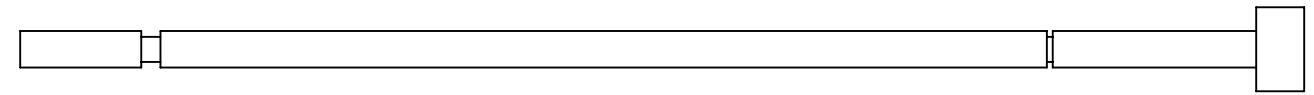
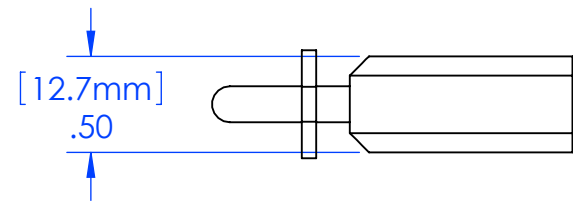


ITEM NO.	DESCRIPTION	QTY.
1	LB6.625inKS .125 x 6.625 coated cable + - .5in	1
2	KH86 Keyhole Lock Washer	1
3	M4130KA314 Master Lock Model 4130KA Padlock	1
4	1" Sq. Hook and Loop	1



THE INFORMATION AND DESIGNS CONTAINED IN THIS DRAWING ARE CONFIDENTIAL AND THE PROPRIETARY PROPERTY OF CHIEF MFG., INC. NEITHER THIS DESIGN NOR ANY INFORMATION CONTAINED IN THIS DRAWING MAY BE REPRODUCED OR DISCLOSED TO OTHERS WITHOUT THE EXPRESS WRITTEN CONSENT OF CHIEF MFG., INC.

CHIEF 8401 EAGLE CREEK PKY
SAVAGE, MN 55378
PHONE: 952-894-6280
FAX: 877-894-6918

TITLE
PAC-LK1 TECH

SIZE | DWG. NO.
B | PAC-LK1

0999-002035-XXX