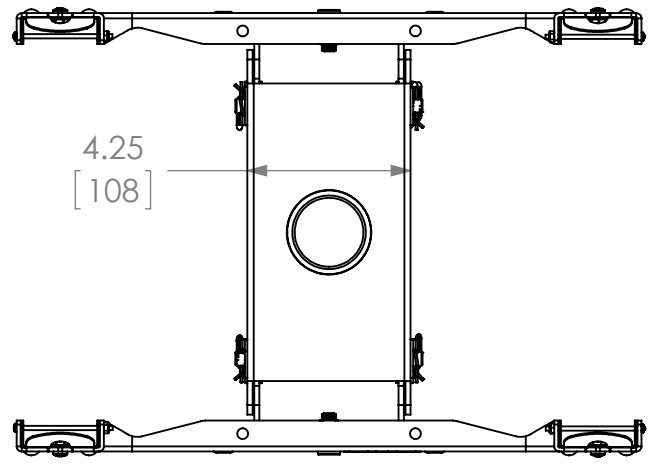


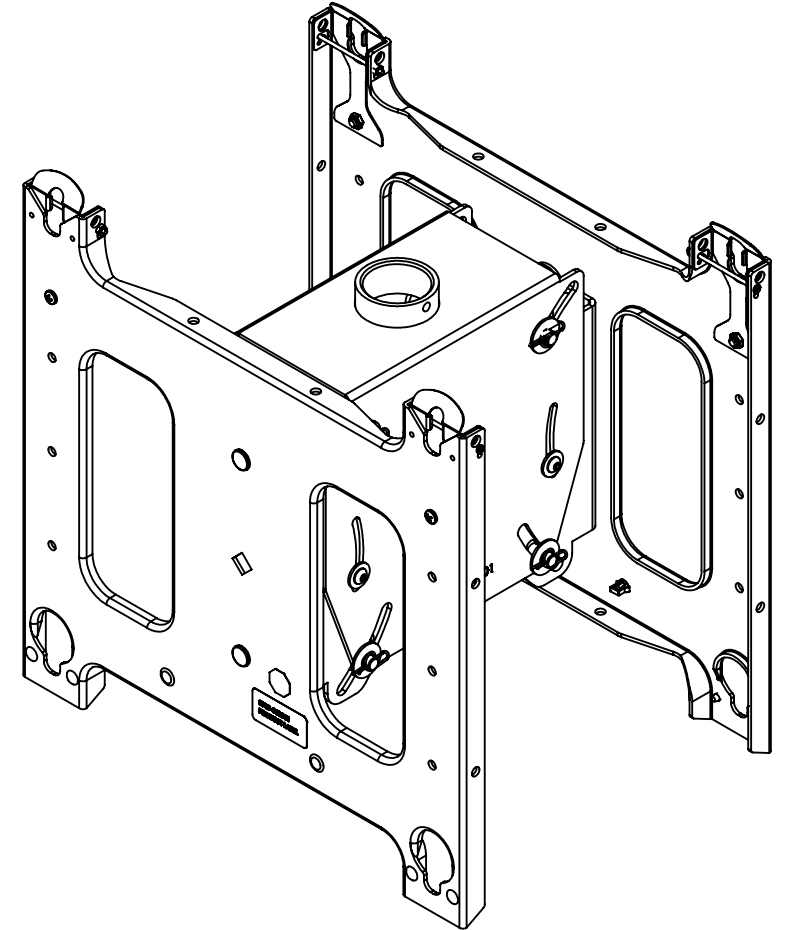
1 2 3 4 5 6 7 8

PDC2000

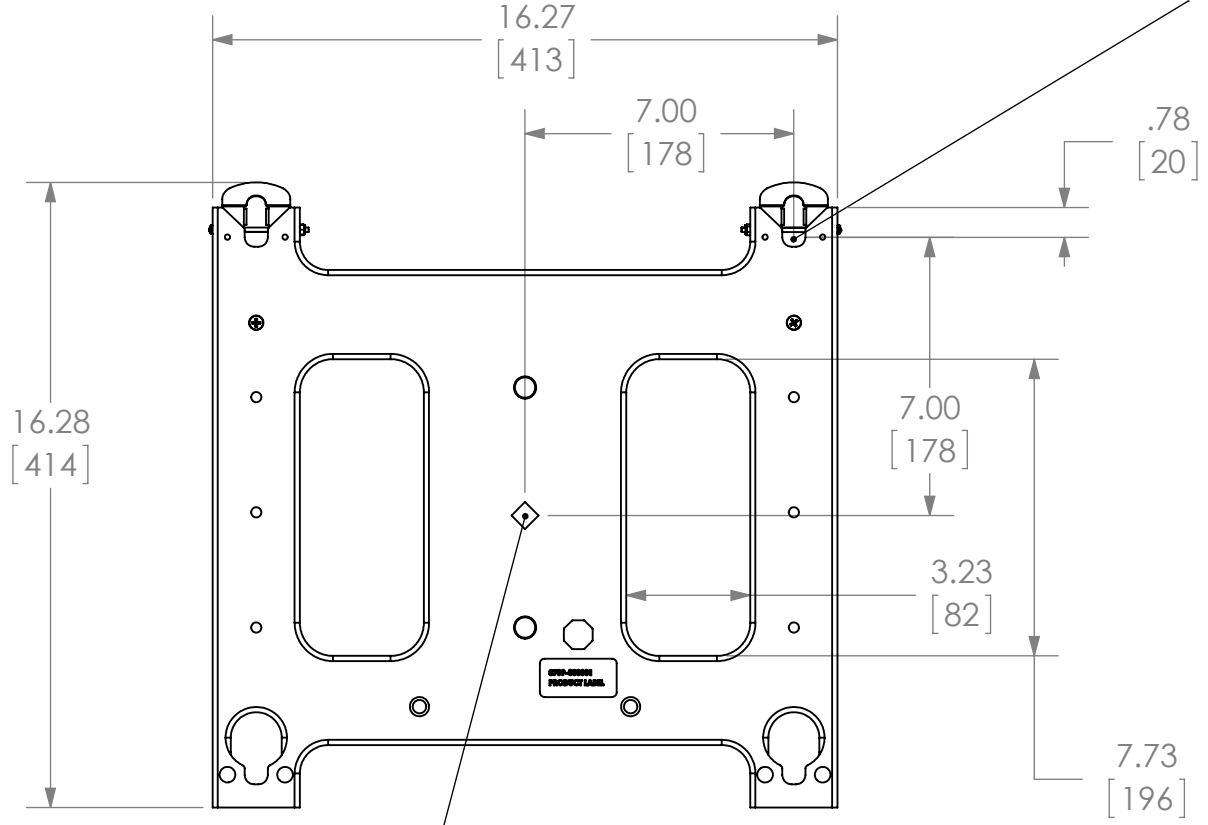


NOTE: CUSTOM INTERAFCE BRACKET NOT SHOWN. THE CUSTOM INTERFACE BRACKET NEEDED FOR YOUR DISPLAY WILL ADD BETWEEN 1/2" AND 2" IN DEPTH AND MAY AFFECT LOCATION OF DISPLAY ON THE MOUNT.

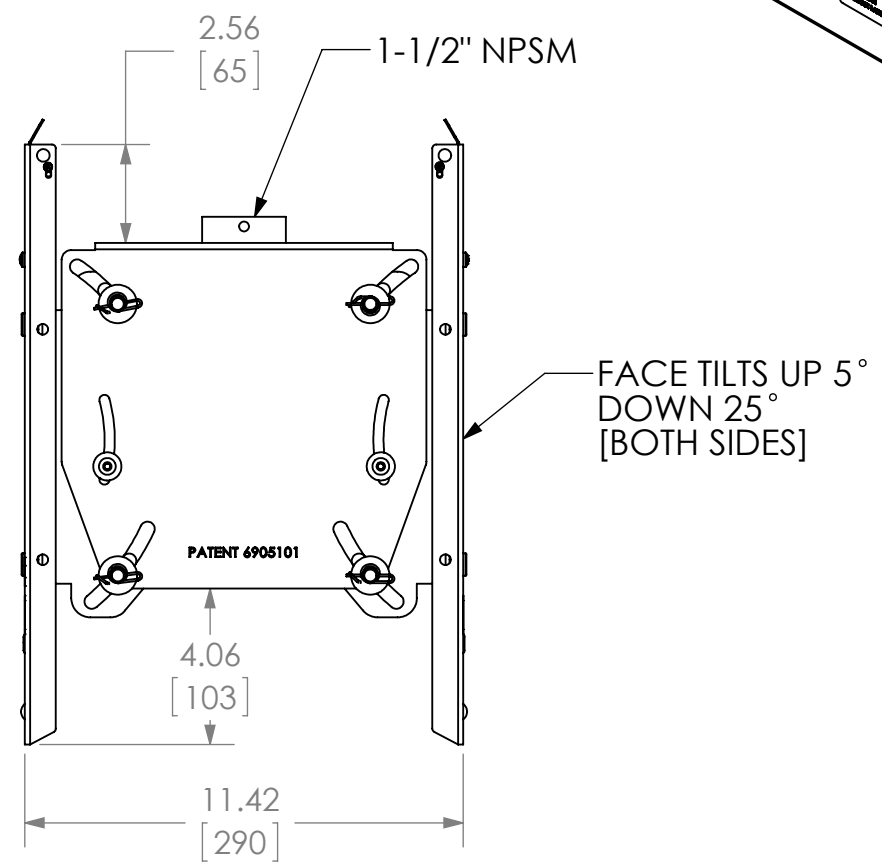
SEE PSB-XXXX DRAWING ALSO.



TOP MOUNTING BUTTON ON PSB-XXXX DRAWING GOES HERE



APPROXIMATE CENTER OF DISPLAY



FACE TILTS UP 5° DOWN 25° [BOTH SIDES]

THE INFORMATION AND DESIGNS CONTAINED IN THIS DRAWING ARE CONFIDENTIAL AND THE PROPRIETARY PROPERTY OF MILESTONE AV TECHNOLOGIES NEITHER THIS DESIGN NOR ANY INFORMATION CONTAINED IN THIS DRAWING MAY BE REPRODUCED OR DISCLOSED TO OTHERS WITHOUT THE EXPRESS WRITTEN CONSENT OF MILESTONE AV TECHNOLOGIES.



CHIEF MANUFACTURING INC.
 PRODUCT ORDER NUMBER IS: PDC2000
 PHONE: 1-800-582-6480

SHEET SCALE = 1:5



8401 EAGLE CREEK PKY
 SUITE #700
 SAVAGE, MN 55378
 PHONE: 952-894-6280
 FAX: 877-894-6918

TITLE
CUSTOMER PRINT
PDC2000

SIZE DWG. NO.
B PDC2000

REV
00

1 2 3 4 5 6 7 8