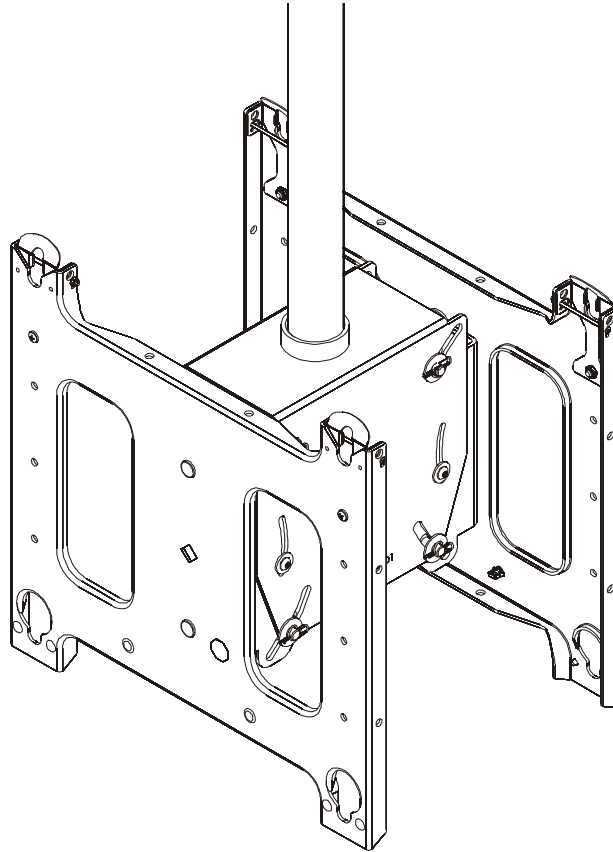

INSTALLATION INSTRUCTIONS





Large Dual Ceiling Mount


DISCLAIMER


Milestone AV Technologies, Inc., and its affiliated corporations and subsidiaries (collectively, "Milestone"), intend to make this manual accurate and complete. However, Milestone makes no claim that the information contained herein covers all details, conditions or variations, nor does it provide for every possible contingency in connection with the installation or use of this product. The information contained in this document is subject to change without notice or obligation of any kind. Milestone makes no representation of warranty, expressed or implied, regarding the information contained herein. Milestone assumes no responsibility for accuracy, completeness or sufficiency of the information contained in this document.


IMPORTANT SAFETY INSTRUCTIONS

 **WARNING:** A WARNING alerts you to the possibility of serious injury or death if you do not follow the instructions.


 **CAUTION:** A CAUTION alerts you to the possibility of damage or destruction of equipment if you do not follow the corresponding instructions.


 **WARNING:** Failure to read, thoroughly understand, and follow all instructions can result in serious personal injury, damage to equipment, or voiding of factory warranty! It is the installer's responsibility to make sure all components are properly assembled and installed using the instructions provided.


 **WARNING:** Failure to provide adequate structural strength for this component can result in serious personal injury or damage to equipment! It is the installer's responsibility to make sure the structure to which this component is attached can support five times the combined weight of all equipment. Reinforce the structure as required before installing the component.

 **WARNING:** Exceeding the weight capacity can result in serious personal injury or damage to equipment! It is the installer's responsibility to make sure the combined weight of all components located between the supporting structure and the PDC does not exceed 400 lbs (181.44 kg) [200 lbs (90.72 kg) each faceplate].

- The weight capacity of the PDC may be LIMITED to the lowest weight capacity of any other component located between the PDC and the supporting structure!

 **WARNING:** Use this mounting system only for its intended use as described in these instructions. Do not use attachments not recommended by the manufacturer.

 **WARNING:** Never operate this mounting system if it is damaged. Return the mounting system to a service center for examination and repair.

 **WARNING:** Do not use this product outdoors.

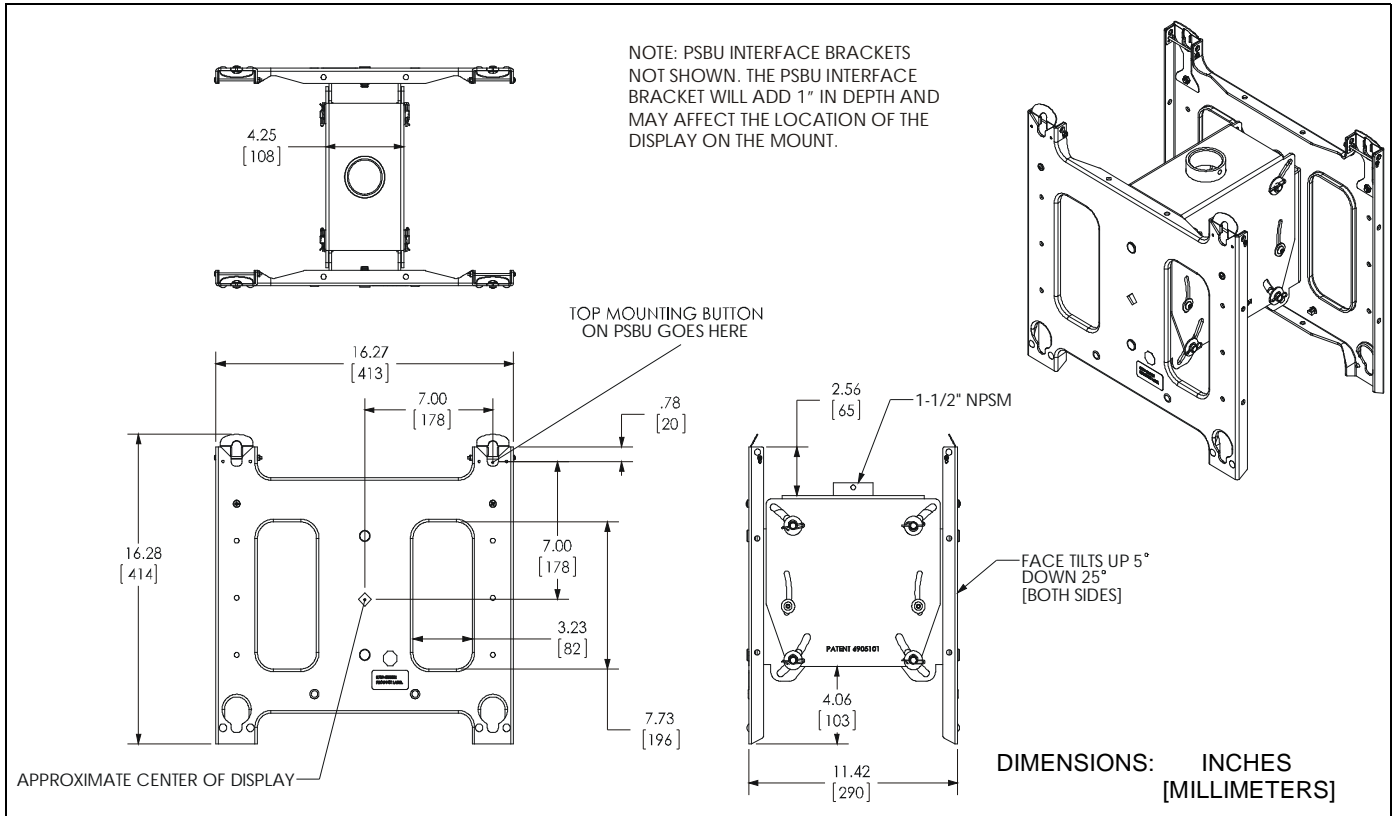
IMPORTANT ! : The PDC Series mounts are designed to be mounted to a 1-1/2" NPT or NPSM following ANSI/ASME B1.20.1 (Schedule 40, 0.154" minimum thickness steel or aluminum - ASTM B221) threaded extension column (not included)

NOTE: The PDC Series includes:

- Accessory Model PDC2000 (to be used with two Listed Chief accessory PSBU interface brackets--not included).

--SAVE THESE INSTRUCTIONS--

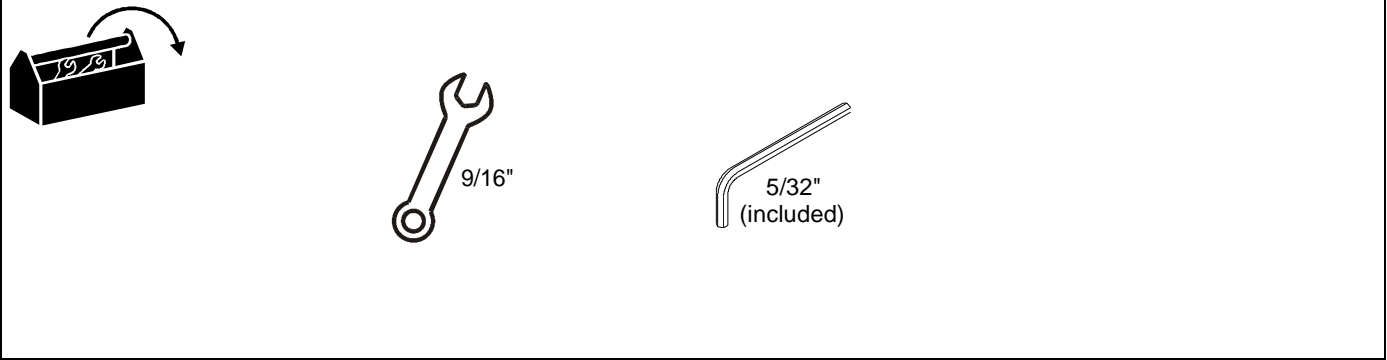
DIMENSIONS



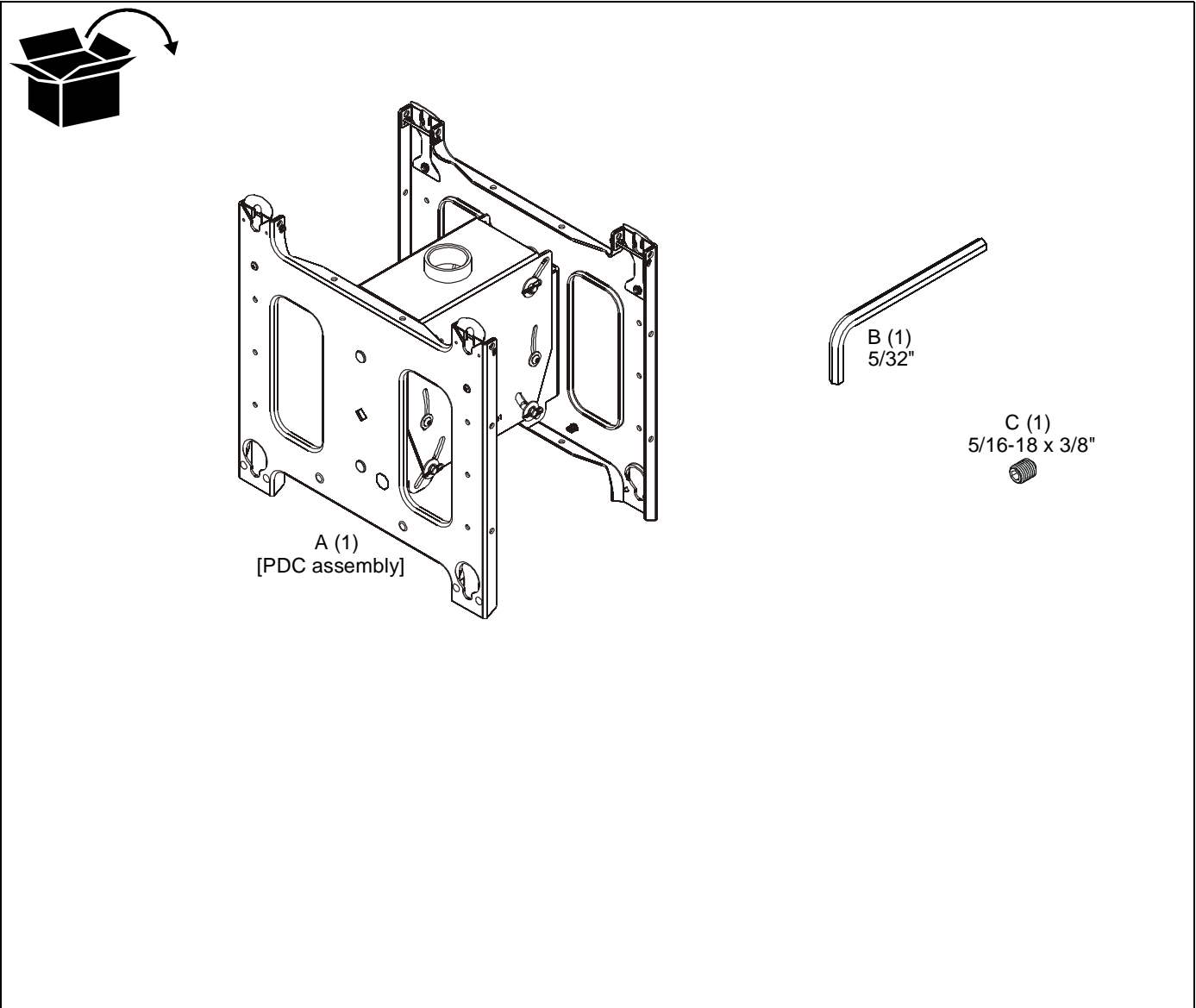
LEGEND

	Tighten Fastener
	Apretar elemento de fijación
	Befestigungsteil festziehen
	Apertar fixador
	Serrare il fissaggio
	Bevestiging vastdraaien
Serrez les fixations	
	Loosen Fastener
	Aflojar elemento de fijación
	Befestigungsteil lösen
	Desapertar fixador
	Allentare il fissaggio
	Bevestiging losdraaien
Desserrez les fixations	
	Hex-Head Wrench
	Llave de cabeza hexagonal
	Sechskantschlüssel
	Chave de cabeça sextavada
	Chiave esagonale
	Zeskantsleutel
Clé à tête hexagonale	
	Open-Ended Wrench
	Llave de boca
	Gabelschlüssel
	Chave de bocas
	Chiave a punte aperte
	Steeksleutel
Clé à fourche	
	Adjust
	Ajustar
	Einstellen
	Ajustar
	Regolare
	Afstellen
Ajuster	

TOOLS REQUIRED FOR INSTALLATION



PARTS



INSTALLATION



WARNING: FAILURE TO PROVIDE ADEQUATE STRUCTURAL STRENGTH FOR THIS COMPONENT CAN RESULT IN SERIOUS PERSONAL INJURY OR DAMAGE TO EQUIPMENT! It is the installer's responsibility to make sure the structure to which this component is attached can support five times the combined weight of all equipment. Reinforce the structure as required before installing the component.

Attaching PDC to Extension Column



CAUTION: Watch for pinch points. Do not place fingers between movable parts.

IMPORTANT ! : These installation instructions assume that a 1-1/2" NPT or NPSM (Schedule 40, 0.154" minimum thickness steel or aluminum - ASTM B221) extension column (not included) has been properly installed and is in place.

1. Thread the PCD mount (A) onto the existing 1-1/2" NPT or NPSM extension column (not included) until tight, with a minimum of four threads engaged. (See Figure 1)

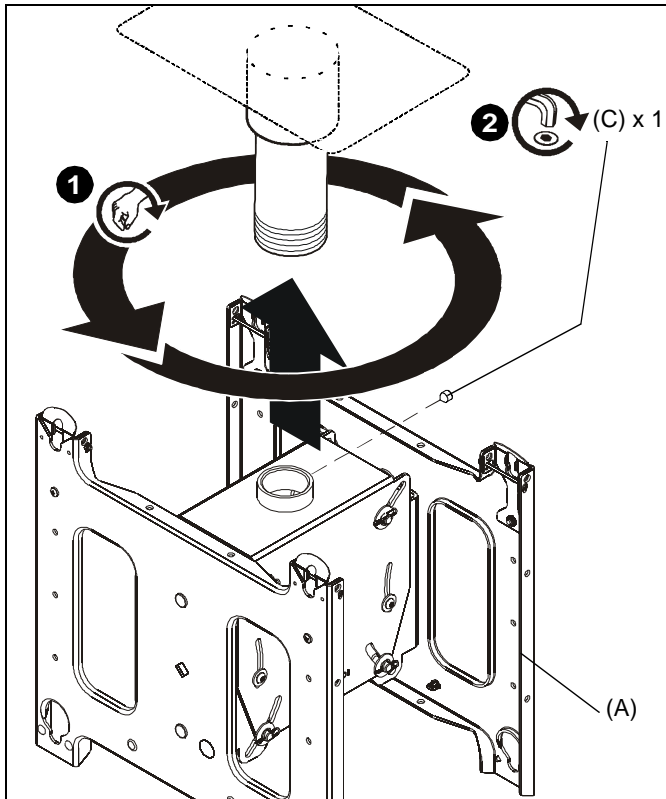


Figure 1

2. Install and tighten the 5/16-18 x 3/8" set screw (C). (See Figure)

Attaching Interface Bracket to Displays

1. Attach PSBU interface brackets to displays following instructions included with interface brackets.

Installing Displays on PDC



WARNING: EXCEEDING MAXIMUM WEIGHT CAPACITY CAN LEAD TO SERIOUS PERSONAL INJURY OR DAMAGE TO EQUIPMENT! It is the installers responsibility to ensure the total amount of weight placed on the mount does not exceed 400 lbs (181.44 kg) [200 lbs (90.72 kg) each faceplate].



WARNING: DISPLAY MAY WEIGH IN EXCESS OF 40 LBS (18.14 KG)! Always use two people and proper lifting techniques when installing or positioning display.

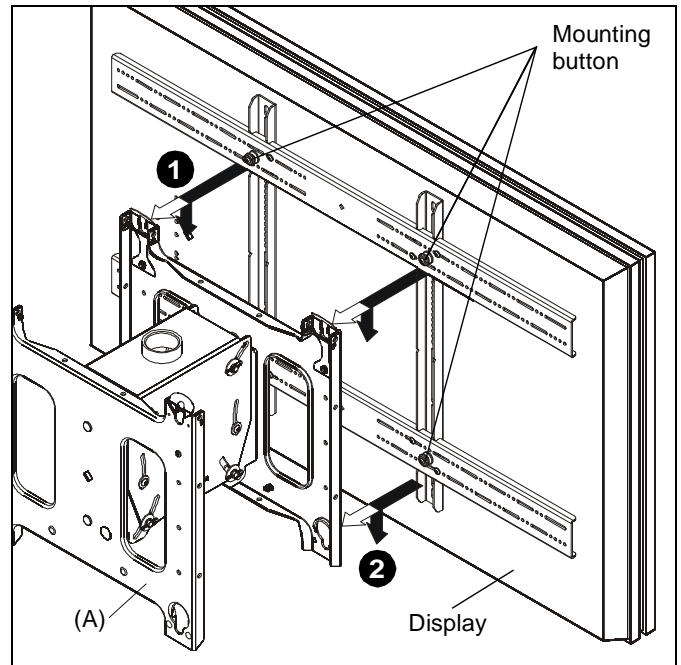


Figure 2

1. While supporting each side of display, align four mounting buttons on interface bracket with four mounting holes on PDC. (See Figure 2) and (See Figure 3)

- Lower each display into place listening for audible "click" to ensure recessed area of mounting buttons are properly seated in lower area of mounting holes. (See Figure 2) and (See Figure 3)

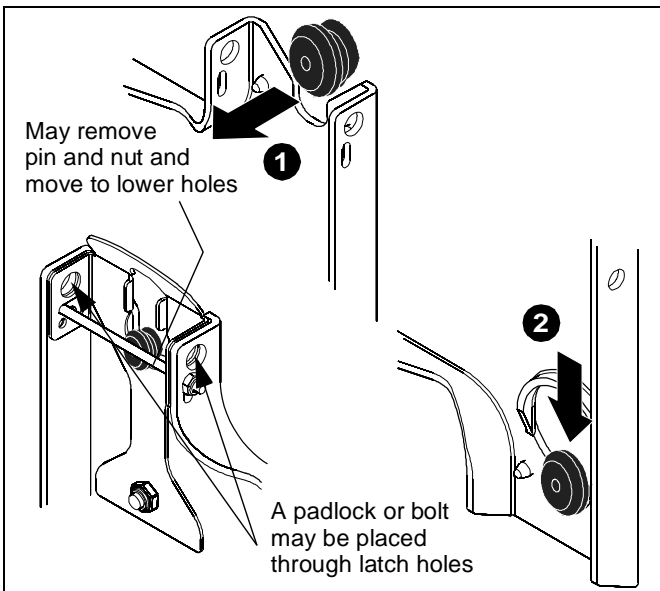


Figure 3



WARNING: IMPROPER INSTALLATION CAN LEAD TO DISPLAY FALLING CAUSING SERIOUS PERSONAL INJURY OR DAMAGE TO EQUIPMENT! Ensure mounting buttons are completely engaged in mounting holes.

NOTE: Holes are provided in the faceplate for use with a padlock or similar locking device, if desired. In addition, the pin and nut may be removed from the upper holes and moved to the lower holes for use as a more permanent locking device. (See Figure)

- Connect and secure power, audio and video cables.

Removing Displays from PDC

- Disconnect all power/audio/video cables.
- Remove bolt or padlock from faceplate (if used). (See Figure 4)

NOTE: The pin may have been used as a more permanent locking device. If so, remove nut and pin and move from the lower holes to the upper holes.

- Pull back on flags on upper mounting holes and press pins down into "Open" position. (See Figure 4)

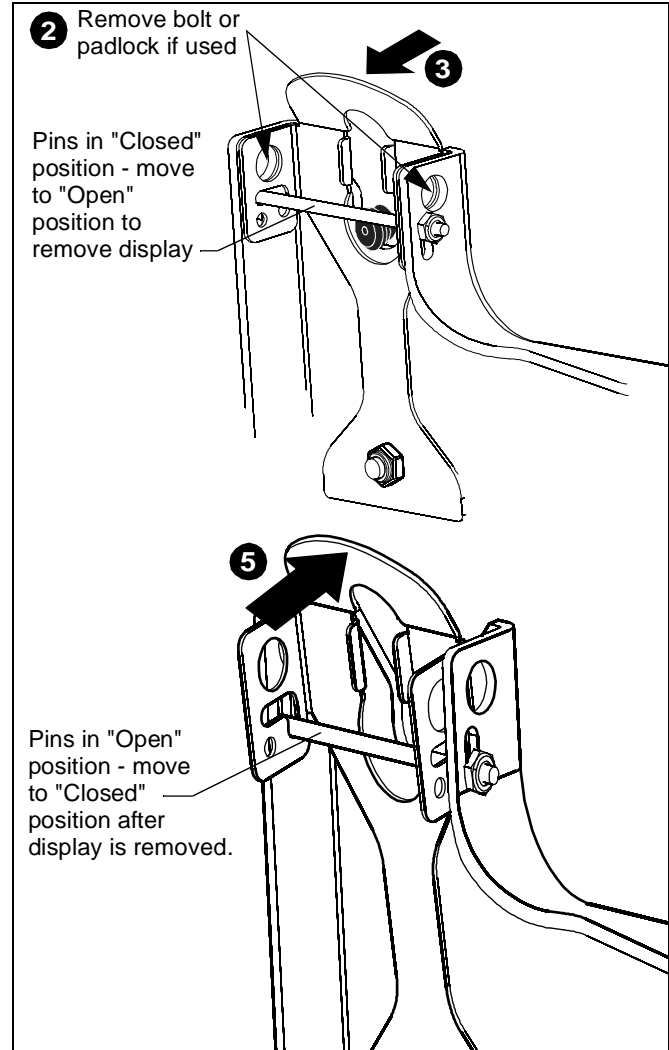


Figure 4



WARNING: EACH DISPLAY MAY WEIGH IN EXCESS OF 40 LBS EACH! Always use two people and proper lifting techniques when installing or positioning displays on PDC.

- Carefully lift displays from PDC.
- Lift up on pins and place flags back against faceplate to return it to "Closed" position. (See Figure 4)

Adjustments

Roll Adjustment

1. Loosen two Nylock nuts inside the PDC. (See Figure 5)
2. Using the slotted holes, adjust the roll, or horizontal movement.
3. Tighten two Nylock nuts.

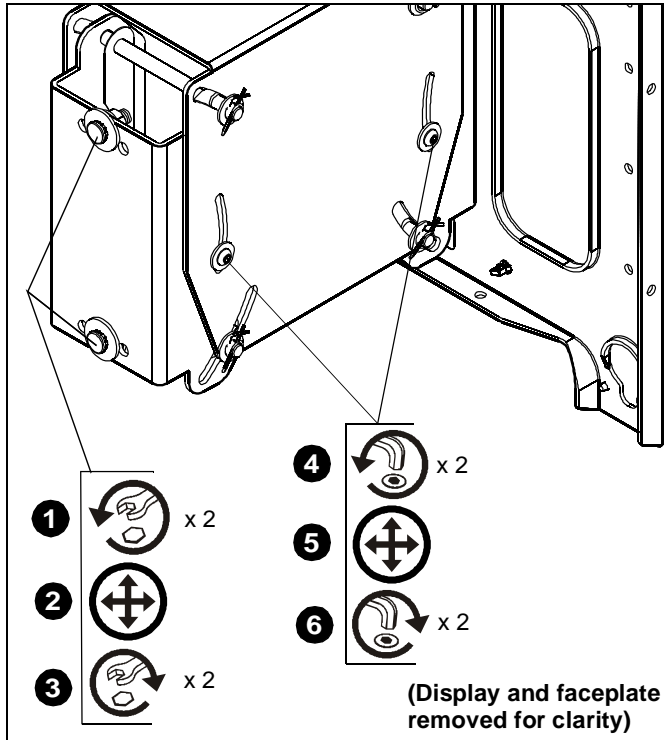


Figure 5

Pitch Adjustment

4. Loosen two screws on side of PDC. (See Figure 5)
5. Adjust to desired pitch, or vertical movement.
6. Tighten the screws on side of PDC.



Our Mounts. **Your Vision.**

Chief, a products division of
Milestone AV Technologies

8800-002607 Rev00
©2014 Milestone AV Technologies
www.chiefmfg.com
05/14

USA/International	A 6436 City West Parkway, Eden Prairie, MN 55344
	P 800.582.6480 / 952.225.6000
	F 877.894.6918 / 952.894.6918
Europe	A Franklinstraat 14, 6003 DK Weert, Netherlands
	P +31 (0) 495 580 852
	F +31 (0) 495 580 845
Asia Pacific	A Office No. 918 on 9/F, Shatin Galleria 18-24 Shan Mei Street Fotan, Shatin, Hong Kong
	P 852 2145 4099
	F 852 2145 4477

