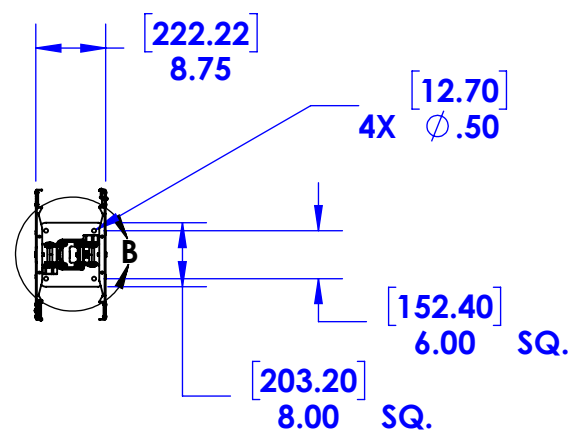
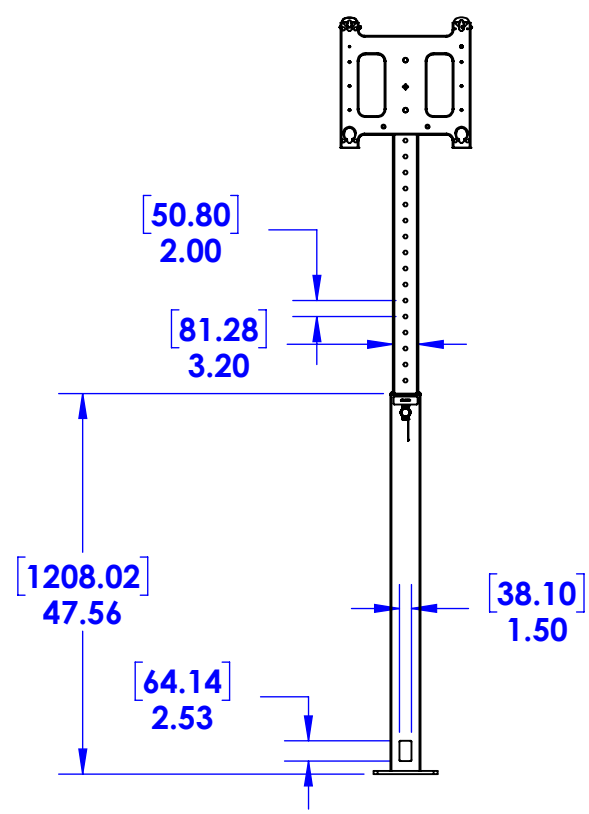
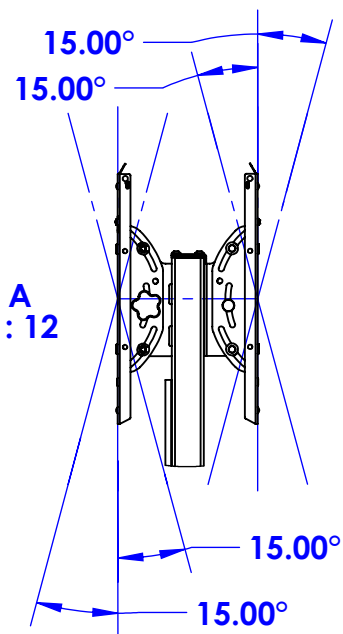
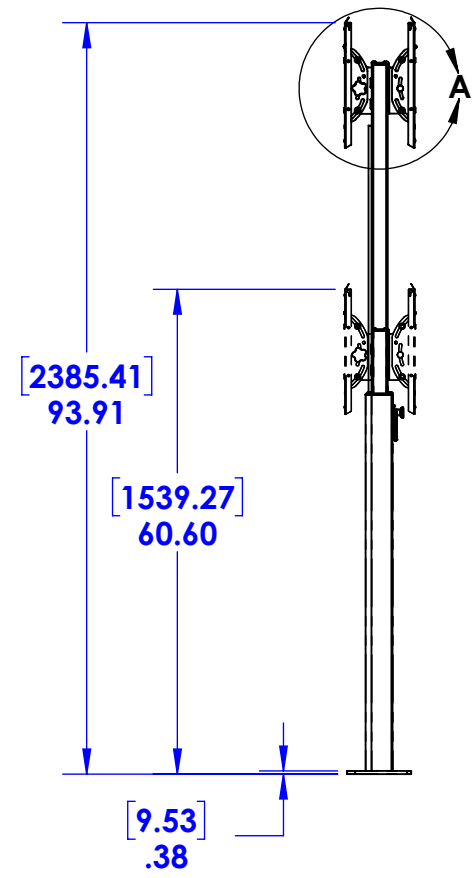
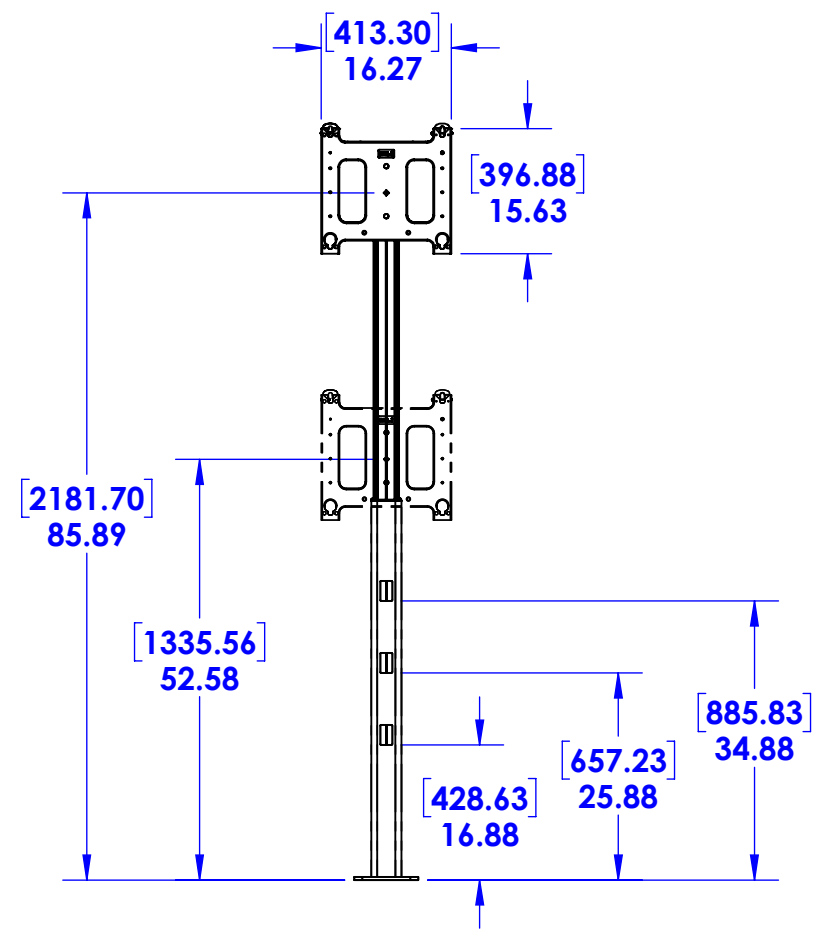
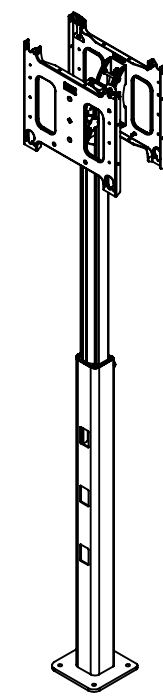


DETAIL B  
SCALE 1 : 12



DETAIL A  
SCALE 1 : 12



NOTE: SEE PSB DRAWING ALSO

THE INFORMATION AND DESIGNS CONTAINED IN THIS DRAWING ARE CONFIDENTIAL AND THE PROPRIETARY PROPERTY OF MILESTONE AV TECHNOLOGIES NEITHER THIS DESIGN NOR ANY INFORMATION CONTAINED IN THIS DRAWING MAY BE REPRODUCED OR DISCLOSED TO OTHERS WITHOUT THE EXPRESS WRITTEN CONSENT OF MILESTONE AV TECHNOLOGIES.

CAD GENERATED DRAWING, DO NOT MANUALLY UPDATE.			6436 CITY WEST PKWY EDEN PRAIRIE MN, 55344 PHONE: 866-977-3901 FAX: 877-894-6918			
DRAWN BY	PJO	5/9/2018				
ENG APPROVAL			DESCRIPTION CUSTOMER PRINT PFB2UB			
MFG APPROVAL						
QA APPROVAL			MODEL NO. PFB2UB			
SHEET 1 OF 1			SCALE 1:24	SIZE B	DWG. NO. TECH-000915	REV. 00