






**FEATURES**

- 1 CENTRIS® FINGERTIP TILT**  
Effortlessly adjust display using Centris fingertip tilt technology. Screen angle stays set until you decide to readjust.
- 2 TELESCOPING HEIGHT ADJUSTMENT**  
Integrated knob provides tool-less telescoping adjustment from 4 ft (122 cm) to 6 ft (180 cm).
- 3 CLICKCONNECT® LATCHING**  
Hear an audible click when the screen engages with the mount. Easy to connect/disconnect - no tools needed!
- 4 PORTRAIT/LANDSCAPE CAPABILITY**  
Mounts in either portrait or landscape position.
- 5 CABLE MANAGEMENT**  
Flexible covers hide cables for a clean installation.

**WHAT YOU NEED TO KNOW**

**OTHER PRODUCT OPTIONS**

-  **MFC**  
Mobile Cart  
Height: 4 - 6' (122 - 180 cm), Tilt: ±15°
-  **PFM**  
Confidence Monitor Cart  
Height: 3 - 4' (91 - 122 cm), Tilt: +15°/+45°
-  **PFQ**  
Confidence Monitor Cart  
Height: 2 - 2.5' (61 - 76 cm), Tilt: +15°/+45°

**SPECIFICATIONS**

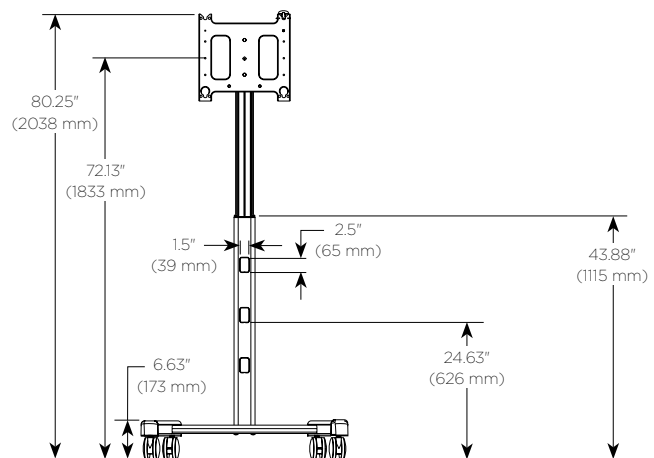
Dimensions*	80.25" x 37.13" x 32.13" (HxWxD) (204 x 94.3 x 81.6 cm)
Height	4 - 6' (122 - 180 cm)
Tilt	±15°
Weight Capacity	200 lbs (90.7 kg)
Colors	Black, Silver

\* Dimensions do not include interface bracket

**RECOMMENDED ACCESSORIES**

-  **PAC710** □ Accessory Shelf
-  **PAC720** □ Dual Display Accessory
-  **PAC730** □ Secure Storage Shelf

**TECHNICAL DRAWINGS**



For a complete list of cart & stand accessories see pages 93 - 94.