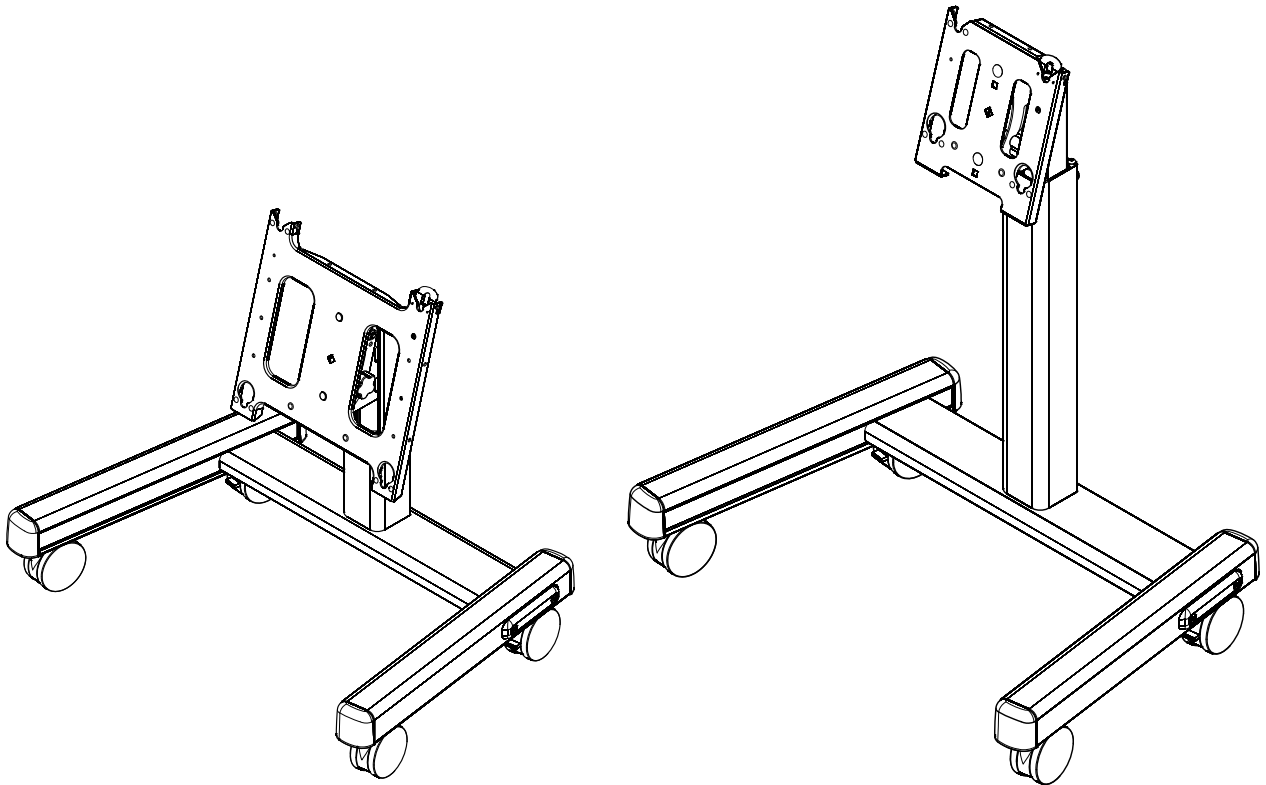

INSTALLATION INSTRUCTIONS



Confidence Carts




205 Westwood Ave, Long Branch, NJ 07740
Phone: 866-94 BOARDS (26273) / (732)-222-1511
Fax: (732)-222-7088 | E-mail: sales@touchboards.com


CHIEF® MFM, PFM, MFQ, PFQ


DISCLAIMER


CSAV, Inc., and its affiliated corporations and subsidiaries (collectively, "CSAV"), intend to make this manual accurate and complete. However, CSAV makes no claim that the information contained herein covers all details, conditions or variations, nor does it provide for every possible contingency in connection with the installation or use of this product. The information contained in this document is subject to change without notice or obligation of any kind. CSAV makes no representation of warranty, expressed or implied, regarding the information contained herein. CSAV assumes no responsibility for accuracy, completeness or sufficiency of the information contained in this document.


IMPORTANT WARNINGS AND CAUTIONS!

 **WARNING:** A WARNING alerts you to the possibility of serious injury or death if you do not follow the instructions.

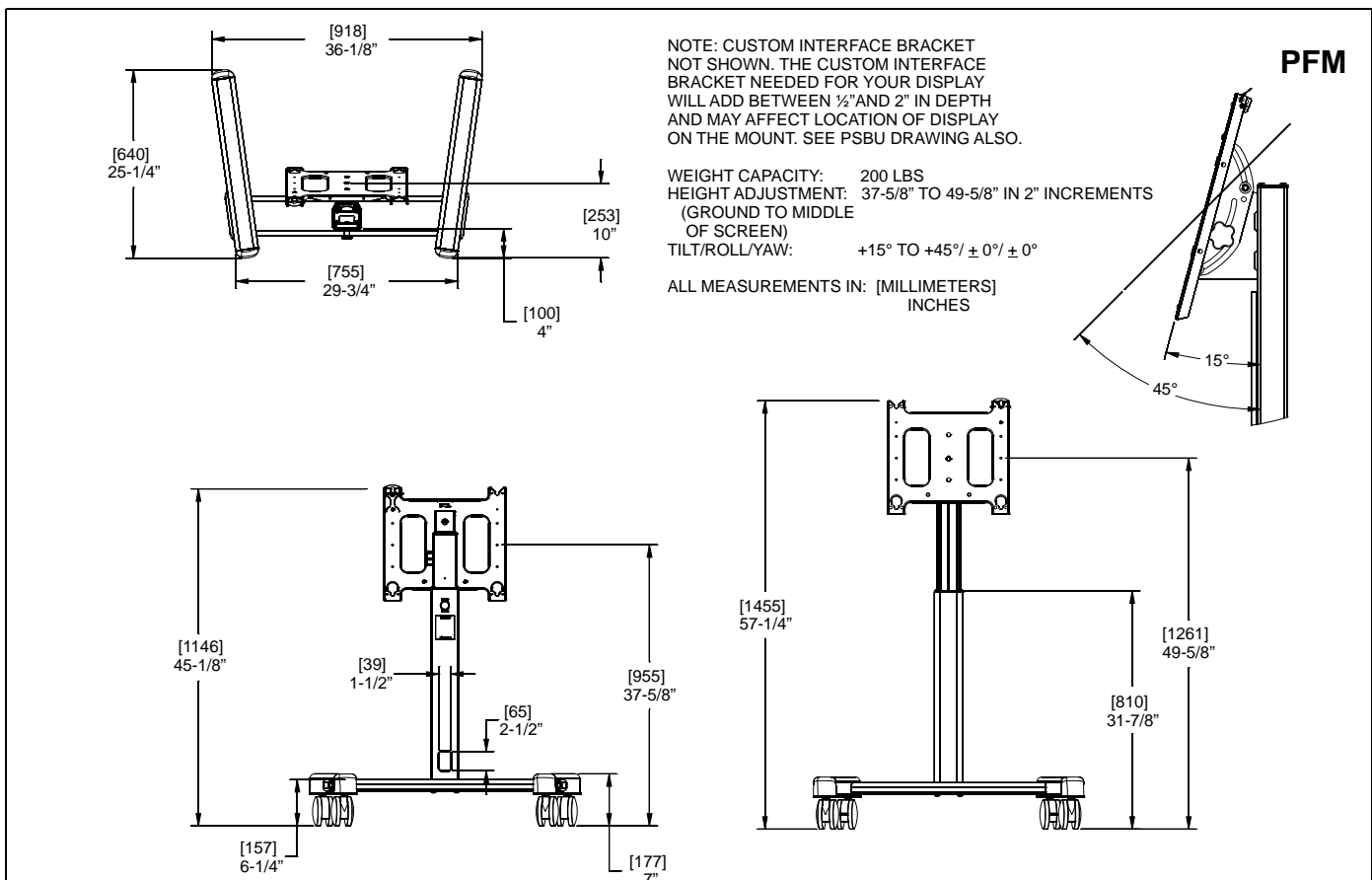
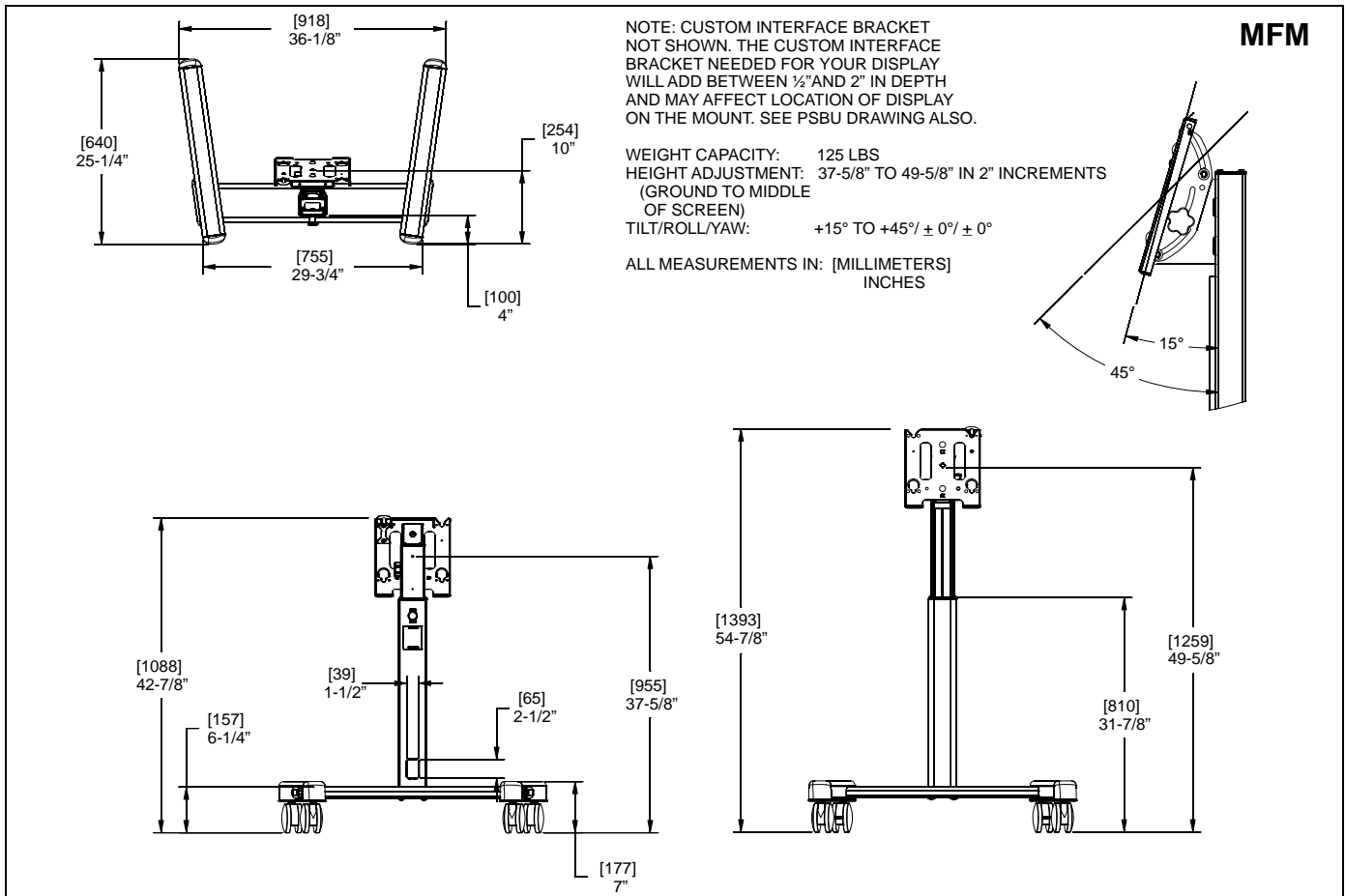
 **CAUTION:** A CAUTION alerts you to the possibility of damage or destruction of equipment if you do not follow the corresponding instructions.

 **WARNING:** Failure to read, thoroughly understand, and follow all instructions can result in serious personal injury, damage to equipment, or voiding of factory warranty! It is the installer's responsibility to make sure all components are properly assembled and installed using the instructions provided.

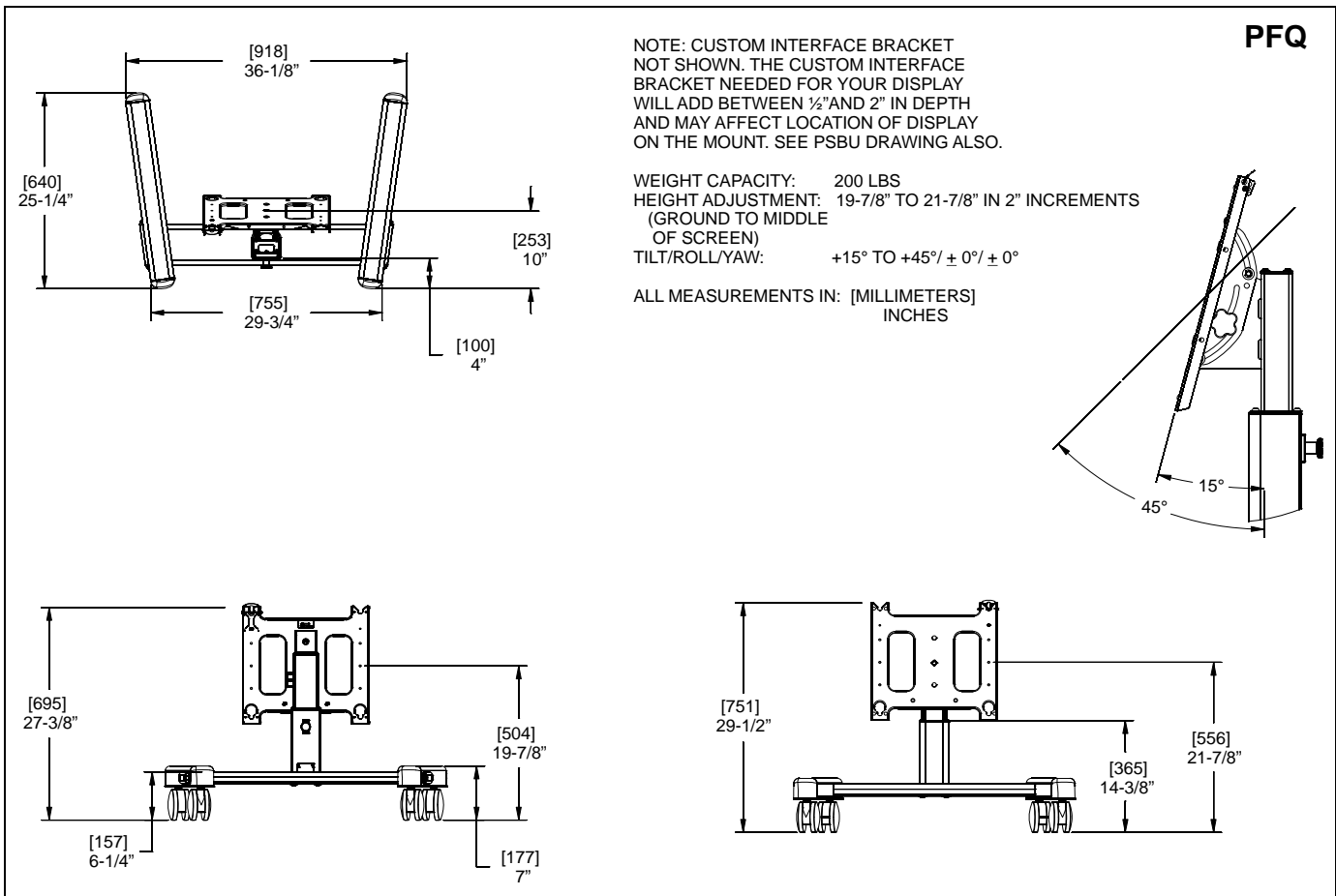
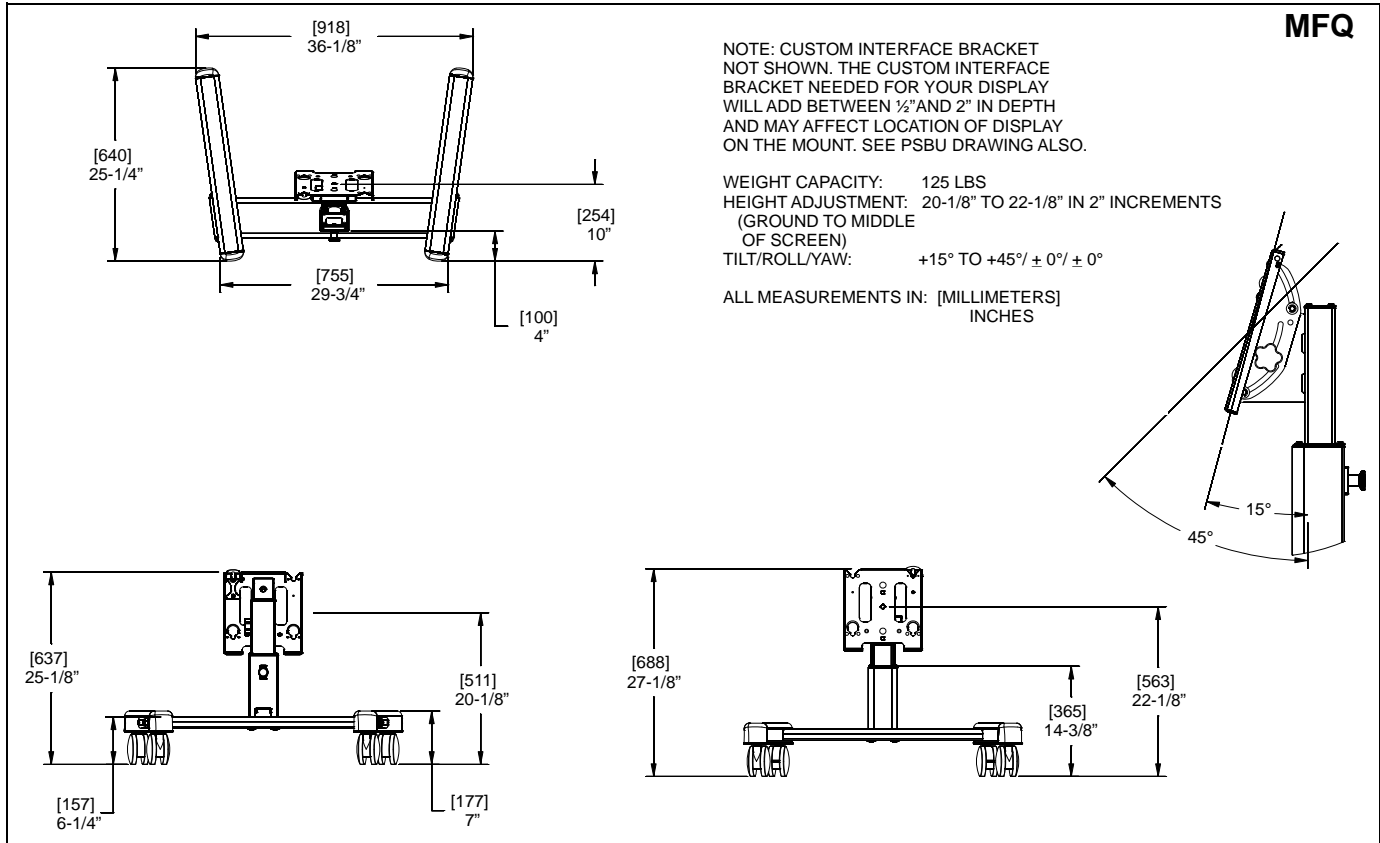
 **WARNING:** Failure to provide adequate structural strength for this component can result in serious personal injury or damage to equipment! It is the installer's responsibility to make sure the structure to which this component is attached can support five times the combined weight of all equipment. Reinforce the structure as required before installing the component.

 **WARNING:** Exceeding the weight capacity can result in serious personal injury or damage to equipment! It is the installer's responsibility to make sure the combined weight of all components on the cart does not exceed 125 lbs (56.70 kg) for the MFM and MFQ, and 200 lbs (90.72 kg) for the PFM and PFQ.

DIMENSIONS



DIMENSIONS



LEGEND

	Tighten Fastener
	Apretar elemento de fijación
	Befestigungsteil festziehen
	Apertar fixador
	Serrare il fissaggio
	Bevestiging vastdraaien
Serrez les fixations	

	Pencil Mark
	Marcar con lápiz
	Stiftmarkierung
	Marcar com lápis
	Segno a matita
	Potloodmerkten
Marquage au crayon	

	Loosen Fastener
	Aflojar elemento de fijación
	Befestigungsteil lösen
	Desapertar fixador
	Allentare il fissaggio
	Bevestiging losdraaien
Desserrez les fixations	

	Drill Hole
	Perforar
	Bohrloch
	Fazer furo
	Praticare un foro
	Gat boren
Percez un trou	

	Phillips Screwdriver
	Destornillador Phillips
	Kreuzschlitzschraubendreher
	Chave de fendas Phillips
	Cacciavite a stella
	Kruiskopschroevendraaier
Tournevis à pointe cruciforme	

	Adjust
	Ajustar
	Einstellen
	Ajustar
	Regolare
	Afstellen
Ajuster	

	Open-Ended Wrench
	Llave de boca
	Gabelschlüssel
	Chave de bocas
	Chiave a punte aperte
	Steeksleutel
Clé à fourche	

	Remove
	Quitar
	Entfernen
	Remover
	Rimuovere
	Verwijderen
Retirez	

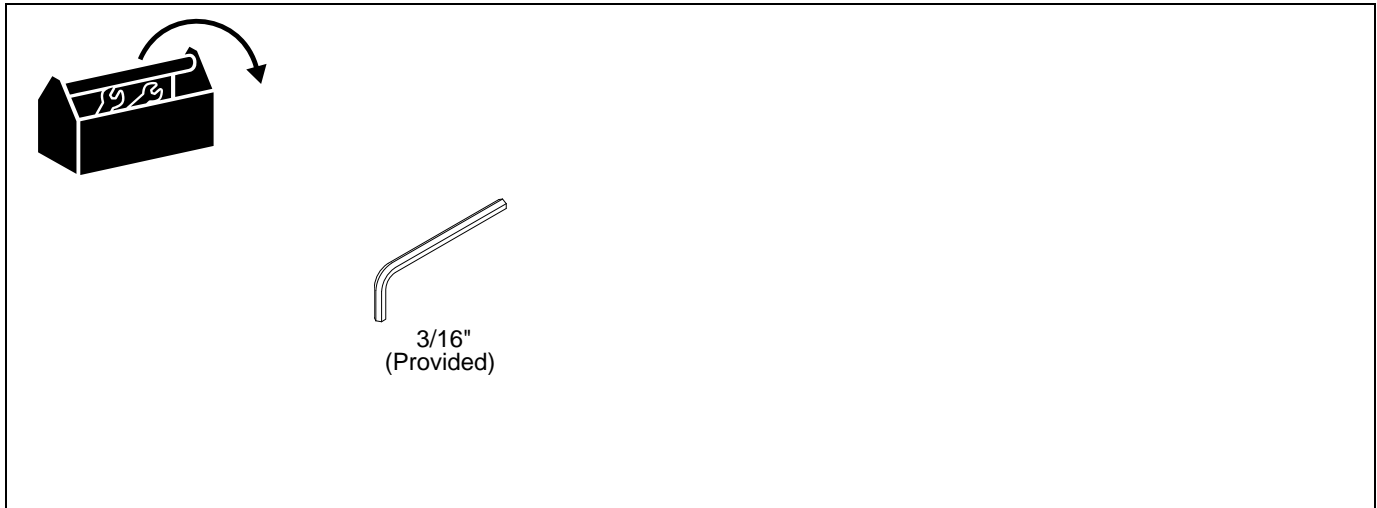
	By Hand
	A mano
	Von Hand
	Com a mão
	A mano
	Met de hand
À la main	

	Optional
	Opcional
	Optional
	Opcional
	Opzionale
	Optie
En option	

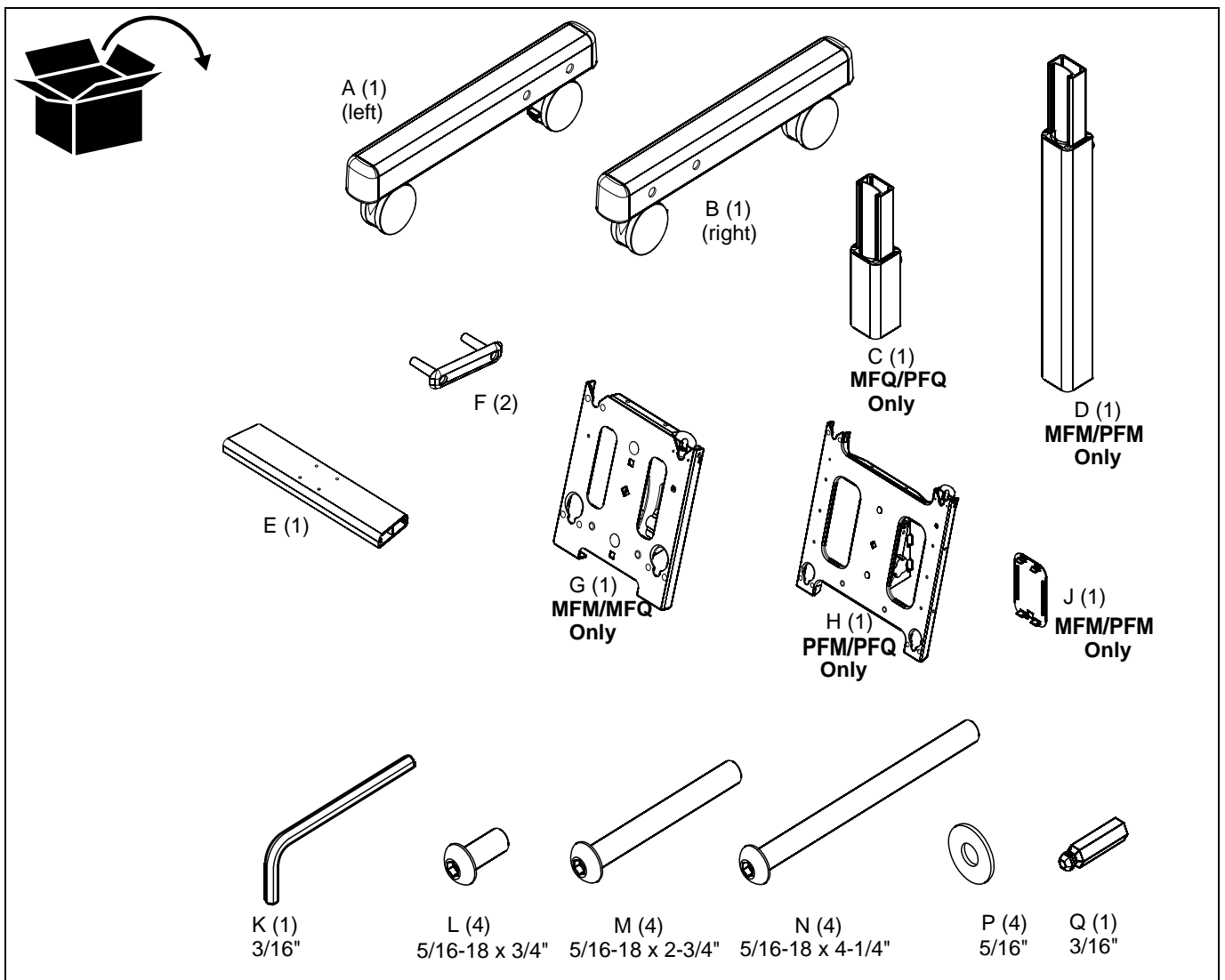
	Hex-Head Wrench
	Llave de cabeza hexagonal
	Sechskantschlüssel
	Chave de cabeça sextavada
	Chiave esagonale
	Zeskantsleutel
Clé à tête hexagonale	

	Security Wrench
	Llave de seguridad
	Sicherheitsschlüssel
	Chave de segurança
	Chiave di sicurezza
	Veiligheidssleutel
Clé de sécurité	

TOOLS REQUIRED FOR INSTALLATION



PARTS



ASSEMBLY



CAUTION: Attachment holes may be damaged if a power drill is used to insert button head cap screws. Screws should first be inserted and turned **BY HAND** with the hex key or with a handheld screwdriver **BEFORE** using the hex head drill bit (Q) and power drill to complete the attachment.

Assembling Cart

1. Assemble two legs (A) and (B) to the cart cross bracket (E) using two 5/16-18x4-1/4" button head cap screws (N) and one end cap (F) per leg. (See Figure 1)

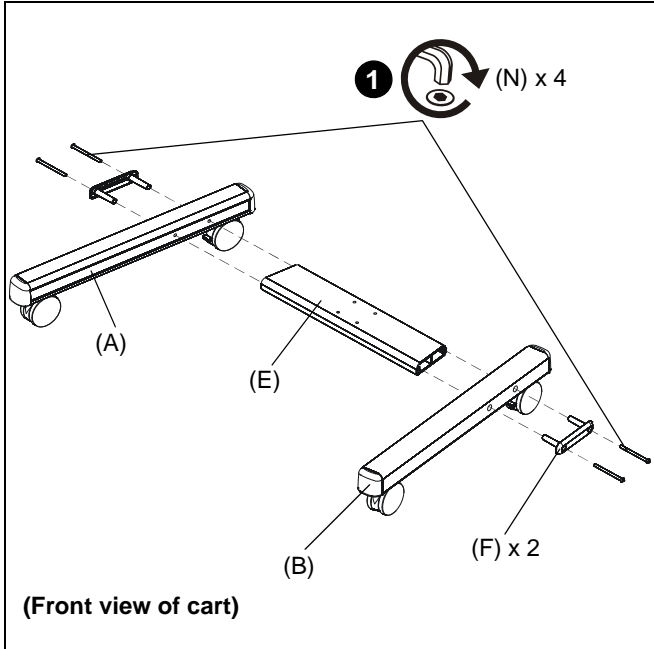


Figure 1



CAUTION: Attachment holes may be damaged if a power drill is used to insert button head cap screws. Screws should first be inserted and turned **BY HAND** with the hex key or with a handheld screwdriver **BEFORE** using the hex head drill bit (Q) and power drill to complete the attachment.

NOTE: Insert and turn screws in order shown (1, 2, 3, 4) in Figure 2.

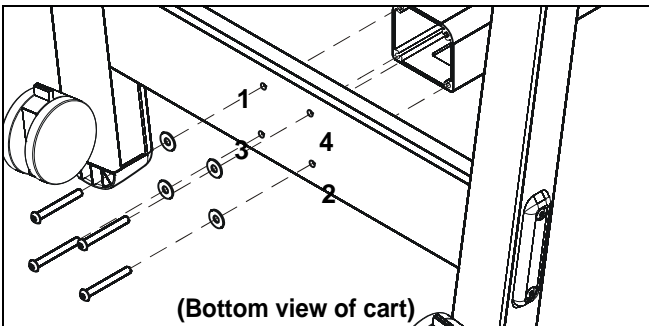


Figure 2

2. Attach center post (C or D) to leg assembly using four 5/16-18 x 2-3/4" button head cap screws (M) and four 5/16" washers (P). (See Figures 2 and 3)

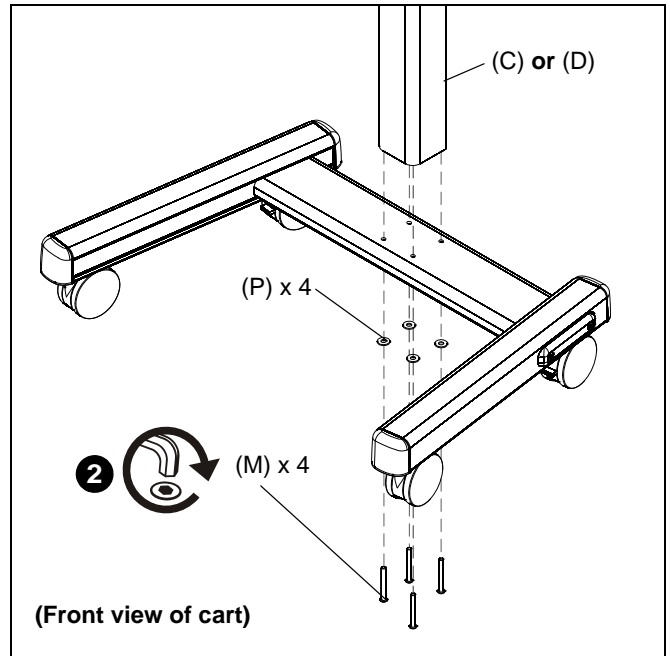


Figure 3

3. Attach head assembly (G) or (H) to the cart assembly using four 5/16-18 x 3/4" button head cap screws (L). (See Figure 4)

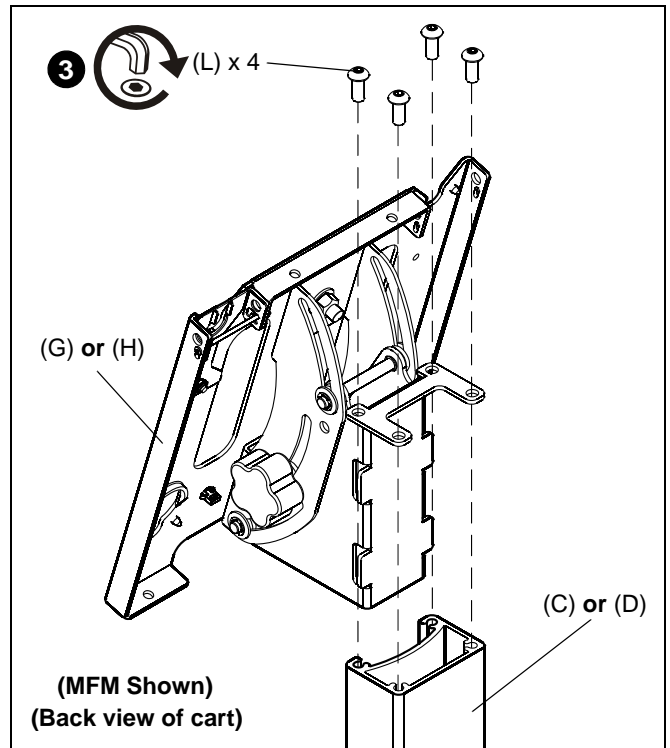


Figure 4

Attaching Display to Cart

⚠ WARNING: EXCEEDING MAXIMUM WEIGHT CAPACITY MAY LEAD TO SERIOUS PERSONAL INJURY OR DAMAGE TO EQUIPMENT! It is the installer's responsibility to ensure the total amount of weight placed on the cart does not exceed 125 lbs (56.70 kg) for the MFM and MFQ, and 200 lbs (90.72 kg) for the PFM and PFQ.

⚠ WARNING: Before attaching display to cart set the brakes on the back wheels by pressing down on the tab. (See Figure 5)

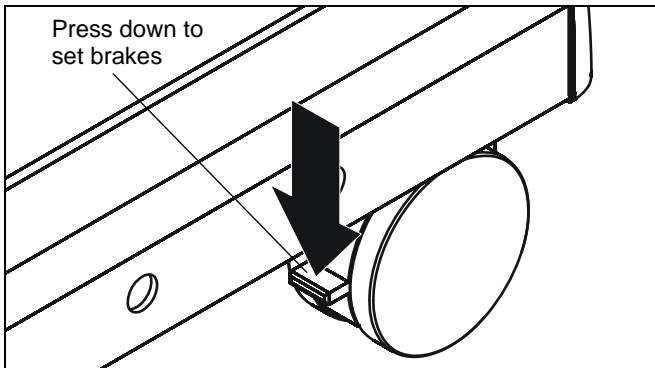


Figure 5

1. Adjust the cart to the desired height by holding the top part of the post, pulling out knob on the center post and turning 90° in either direction to disengage the locking mechanism.
2. Raise or lower the center post, then turn the knob 90° either direction to engage the knob and lock the cart at desired height. (See Figure 6)

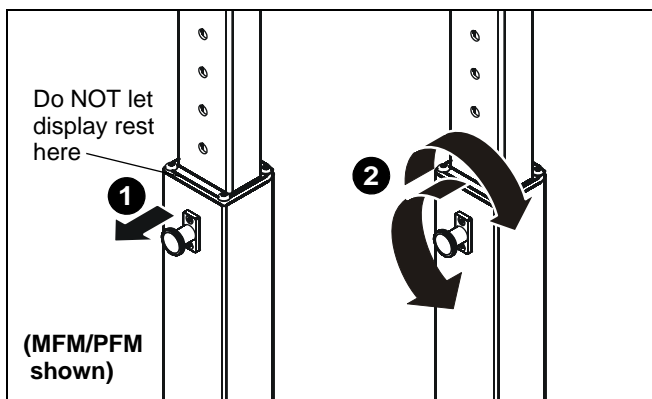


Figure 6

IMPORTANT ! : Set the height of the cart so the display does NOT rest on the lower part of the center post. (See Figure 6.) Always set the height so the knob is engaged in a hole in the center post.

3. Attach a PSBU or MSBU interface bracket to the display following the instructions included with the bracket.
4. While supporting both sides of display, align four mounting buttons on display or interface bracket with four mounting holes in head assembly. (See Figures 7 and 8)

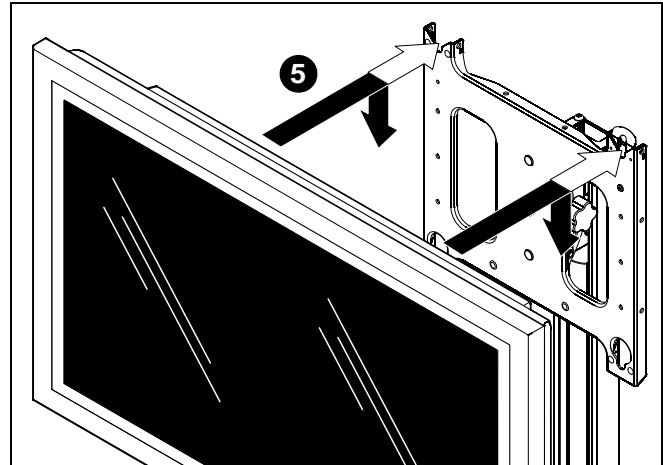


Figure 7

⚠ WARNING: DISPLAY MAY WEIGH IN EXCESS OF 40 LBS! Always use two people and proper lifting techniques when installing or positioning display on cart.

5. Lower display into place listening for audible "click" to ensure recessed area of mounting buttons are properly seated in lower area of mounting holes. (See Figures 7 & 8)

⚠ WARNING: IMPROPER INSTALLATION CAN LEAD TO CART OR DISPLAY FALLING CAUSING SERIOUS PERSONAL INJURY OR DAMAGE TO EQUIPMENT! Ensure mounting buttons are completely engaged in mounting holes.

NOTE: Holes are provided in the faceplate for use with a padlock or similar locking device, if desired. In addition, the pin and nut may be removed from the upper holes and moved to the lower holes for use as a more permanent locking device. (See Figure 8).

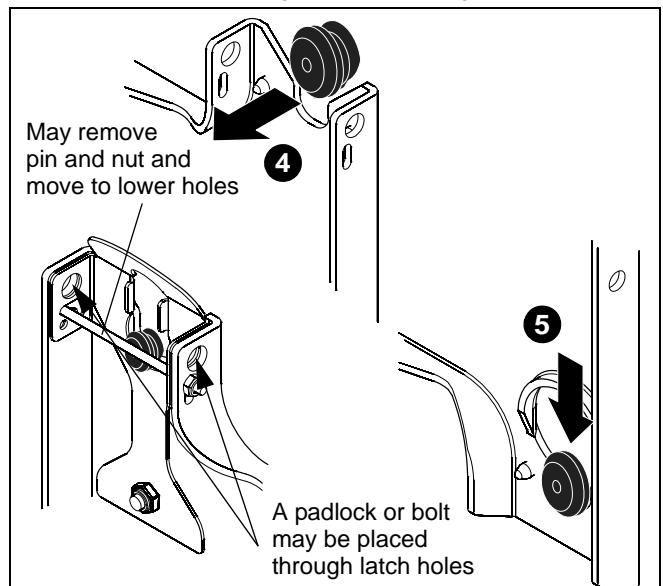


Figure 8

Tilting Display

The display can be tilted from 15° to 45°.

1. Turn knob counterclockwise on back of head assembly to loosen the tilt. (See Figure 9)

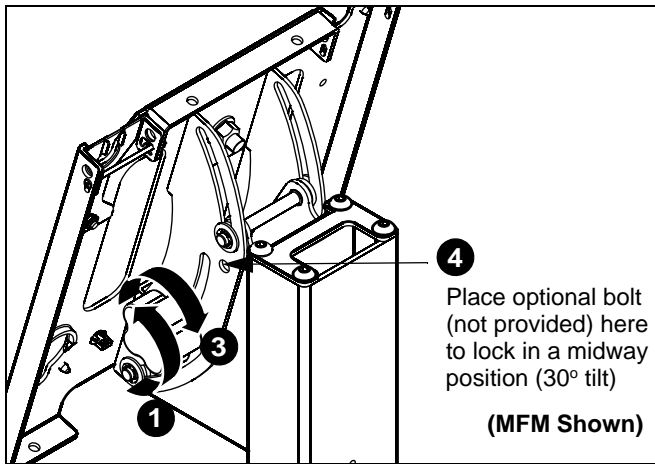


Figure 9

2. Tilt display as desired, to a maximum of 45° either forward or backward.
3. Turn knob clockwise to tighten display on head assembly. (See Figure 9)



CAUTION: Tighten knob on back of head assembly to prevent damage when moving the cart and display.

4. If leaving the display in a midway position (30° tilt), it is recommended that a bolt (not provided) be placed through the head assembly (see Figure 9) to lock the display into the midway position.

Cable Management

MFM/PFM Models Only

1. Signal cables and display power cord can be run through the top and down through the post to exit out the back. (See Figure 10)
2. Any accessory power cords can be run through the front and down through the post to exit out the back. (See Figure 10)

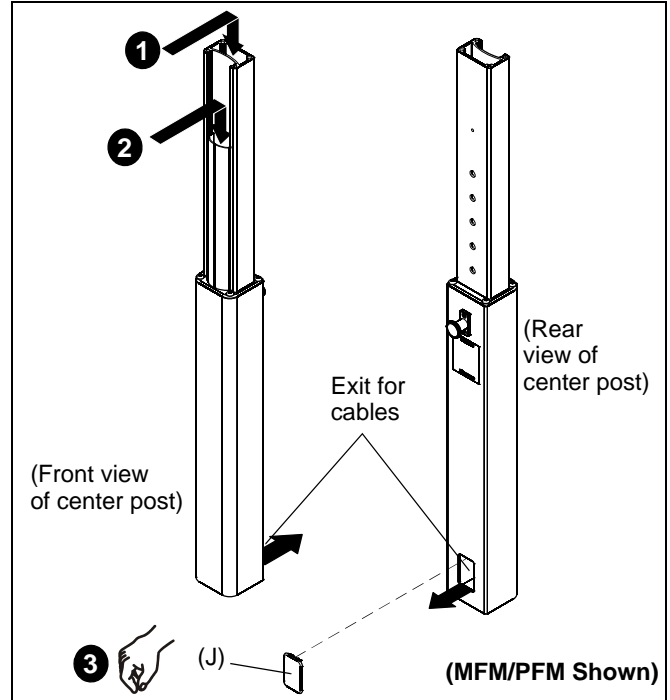


Figure 10

3. Install the snap-on covers to any opening that is not being used. (See Figure 10)
4. To remove the snap-on covers, grip the sides of the cover in the middle and pull off. They can also be removed by inserting a flat-blade screwdriver into the bottom slot and rotating the screwdriver.
5. Proceed to **Cart Use and Maintenance**.

MFQ/PFQ Models Only

1. Signal cables and display/accessory power cords can be run through the top and down through the post to exit out the back. (See Figure 11)

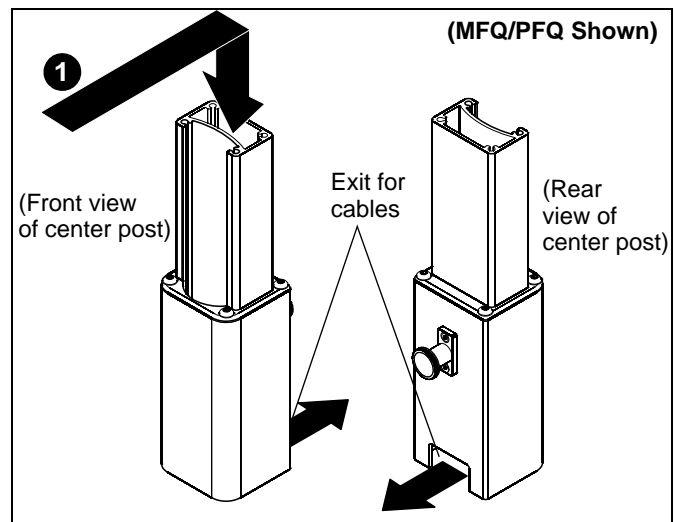


Figure 11

Cart Use and Maintenance



CAUTION: This cart is intended for use only with the products and maximum weights indicated (125 lbs (56.70 kg) for the MFM and MFQ, and 200 lbs (90.72 kg) for the PFM and PFQ). Use with other products or products heavier than the maximum weights indicated may result in instability causing possible injury.



WARNING: CART CAN TIP OVER RESULTING IN RISK OF INJURY. Do not allow children under 16 to move cart. Only adults should move this cart. Move cart slowly. Apply moving force on narrow dimension. Never apply force at top - always push near middle. Push, don't pull.

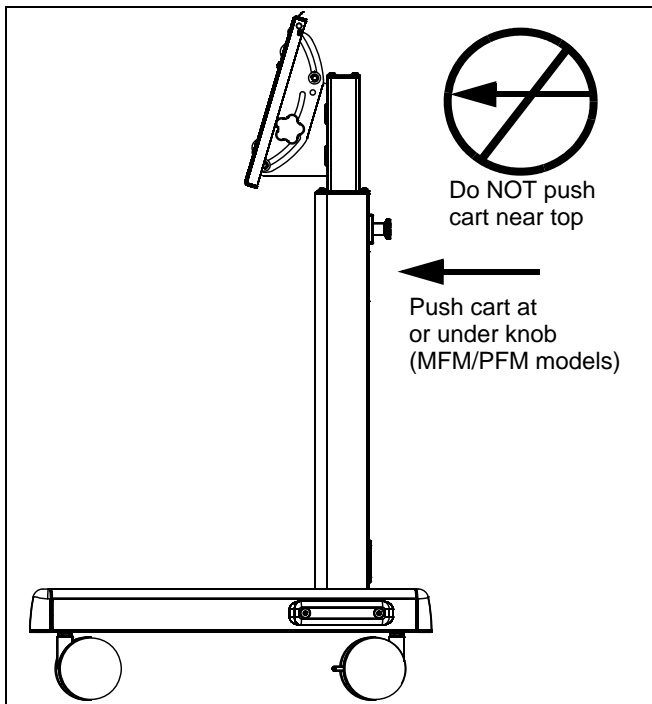


Figure 12

1. Always place cart on level surface.
2. Always lock the wheels when the cart is not moving.
3. Check and tighten the hex nuts on the casters occasionally. (See Figure 12) These should be checked especially after use on uneven ground.

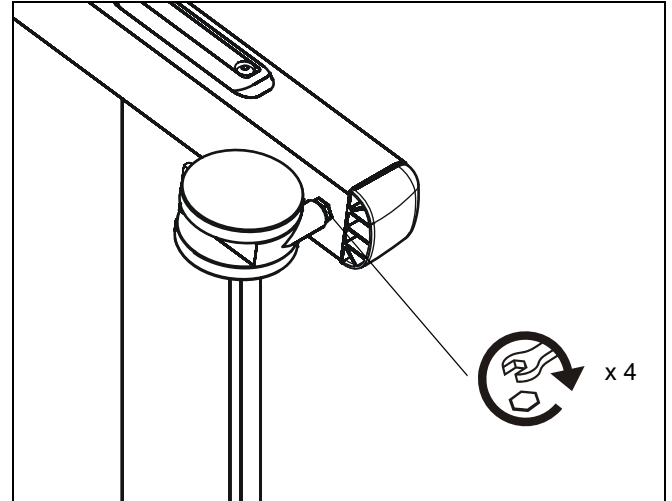


Figure 13

Removing Display from Cart

1. Remove bolt or padlock from faceplate (if used). (See Figure 13)

NOTE: The pin may have been used as a more permanent locking device. If so, remove nut and pin and move from the lower holes to the upper holes.

2. Pull back on flag on upper mounting hole and press pin down into "Open" position. (See Figure 13)



WARNING: EACH DISPLAY MAY WEIGH IN EXCESS OF 40 LBS! Always use two people and proper lifting techniques when installing or positioning display on stand.

3. Carefully lift display from cart.
4. Lift up on pin and place flag back against faceplate to return it to "Closed" position. (See Figure 13)

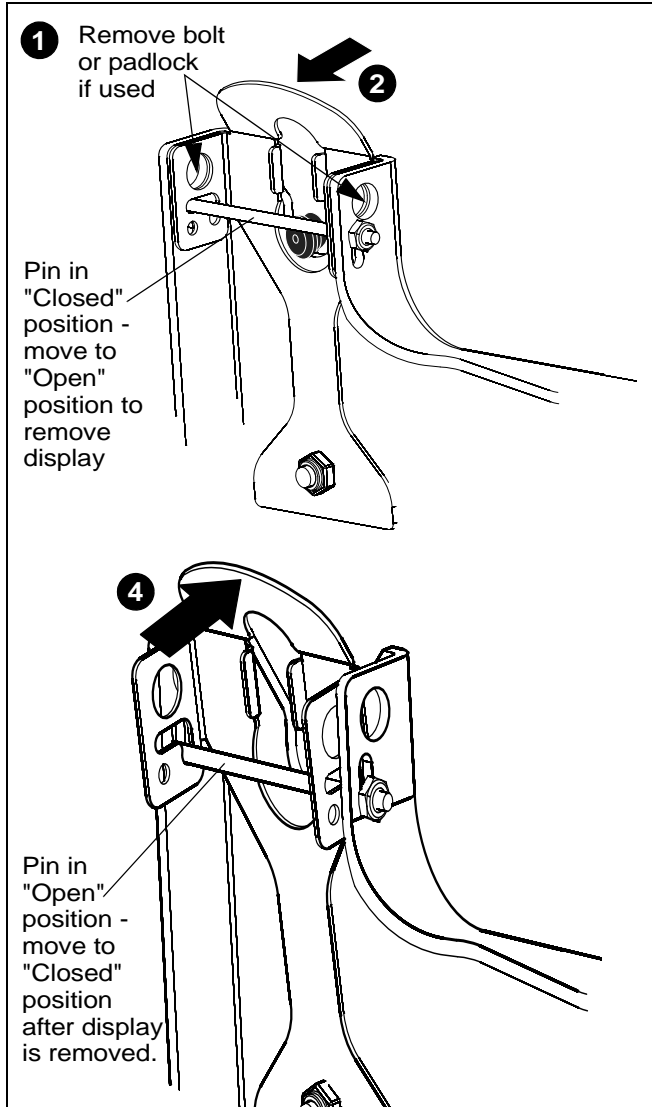


Figure 14



8809-000042
©2007 Chief Manufacturing
www.chiefmfg.com
08/07

USA/International	A 8401 Eagle Creek Parkway, Savage, MN 55378 P 800.582.6480 / 952.894.6280 F 877.894.6918 / 952.894.6918
Europe	A Fellenoord 130 5611 ZB EINDHOVEN, The Netherlands P +31 (0)40 2668620 F +31 (0)40 2668615
Asia Pacific	A Room 30I, Block D, Lily YinDu International Building LuoGang, BuJi Town, Shenzhen, CHINA. Post Code: 518112 深圳市布吉罗岗百合银都国际大厦D栋30I P +86-755-8996 9226 ; 8996 9236 ; 8996 9220 F +86-755-8996 9217

