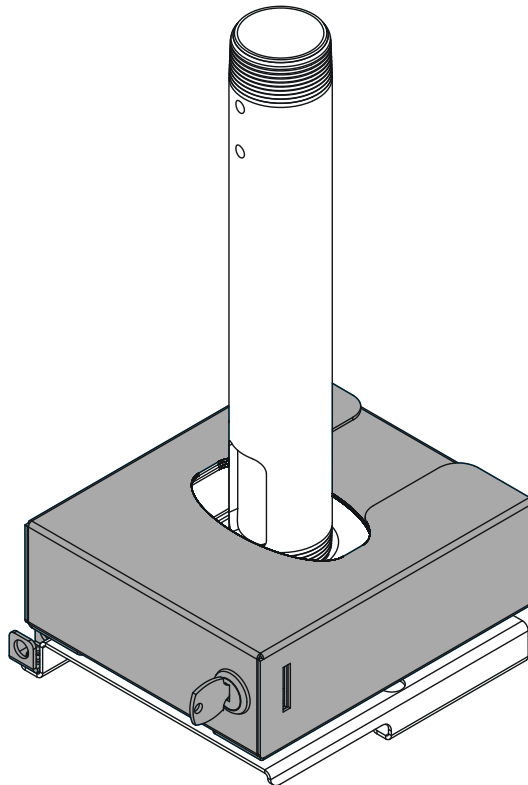


INSTALLATION INSTRUCTIONS

Instrucciones de instalación
Installationsanleitung
Instruções de Instalação

Istruzioni di installazione
Installatie-instructies
Instructions d'installation



Projector Lock


Touchboards


205 Westwood Ave, Long Branch, NJ 07740
Phone: 866-94 BOARDS (26273) / (732)-222-1511
Fax: (732)-222-7088 | E-mail: sales@touchboards.com


DISCLAIMER

CSAV, Inc., and its affiliated corporations and subsidiaries (collectively, "CSAV"), intend to make this manual accurate and complete. However, CSAV makes no claim that the information contained herein covers all details, conditions or variations, nor does it provide for every possible contingency in connection with the installation or use of this product. The information contained in this document is subject to change without notice or obligation of any kind. CSAV makes no representation of warranty, expressed or implied, regarding the information contained herein. CSAV assumes no responsibility for accuracy, completeness or sufficiency of the information contained in this document.


IMPORTANT WARNINGS AND CAUTIONS!


 **WARNING:** A WARNING alerts you to the possibility of serious injury or death if you do not follow the instructions.


 **CAUTION:** A CAUTION alerts you to the possibility of damage or destruction of equipment if you do not follow the corresponding instructions.

 **WARNING:** Failure to read, thoroughly understand, and follow all instructions can result in serious personal injury, damage to equipment, or voiding of factory warranty! It is the installer's responsibility to make sure all components are properly assembled and installed using the instructions provided.


¡AVISOS y PRECAUCIONES IMPORTANTES!


 **AVISO:** Un AVISO llama su atención sobre la posibilidad de sufrir lesiones de gravedad o incluso mortales si no sigue las instrucciones.


 **PRECAUCIÓN:** Una nota de PRECAUCIÓN llama su atención sobre la posibilidad de dañar o destruir el equipo si no sigue las instrucciones.

 **AVISO:** Si no lee, comprende perfectamente y sigue todas las instrucciones, podría causar daños graves personales y materiales o anular la garantía de fábrica. El instalador es el responsable de asegurarse de que todos los componentes están correctamente montados e instalados siguiendo las instrucciones indicadas.


WICHTIGE WARN- und VORSICHTSHINWEISE!


 **WARNUNG:** Ein WARNHINWEIS macht auf mögliche schwere oder tödliche Verletzungen aufmerksam, die bei Nichtbefolgung der Anweisungen eintreten können.


 **VORSICHT:** Ein VORSICHTSHINWEIS macht auf Schäden oder mögliche Zerstörung des Geräts aufmerksam, die bei Nichtbefolgung der Anweisungen eintreten können.

 **WARNUNG:** Falls nicht alle Anweisungen gelesen und gut verstanden werden, kann dies zu schweren Körperverletzungen, Schaden an den Geräten führen und die Werksgarantie nichtig machen! Der Monteur ist dafür verantwortlich, dass alle Komponenten unter Einhaltung der mitgelieferten Anweisungen korrekt zusammengebaut und eingebaut werden.


ADVERTÊNCIAS e AVISOS IMPORTANTES!


 **ADVERTÊNCIA:** Os alertas de ADVERTÊNCIA avisam-no para a possibilidade de ocorrência de graves lesões ou morte no caso de incumprimento das instruções.

 **AVISO:** Os alertas de AVISO avisam-no para a possibilidade de danos ou destruição do equipamento no caso de incumprimento das instruções.

 **ADVERTÊNCIA:** Se não ler, compreender completamente e seguir todas as instruções podem ocorrer graves lesões pessoais, danos no equipamento e a garantia de fábrica pode ser anulada! É da responsabilidade do instalador certificar-se de que todos os componentes são correctamente montados e instalados de acordo com as instruções fornecidas.

AVVERTENZE e PRECAUZIONI IMPORTANTI!

 **AVVERTENZA:** Un'AVVERTENZA mette in guardia in merito alla possibilità di gravi infortuni, anche letali, qualora non si osservino le istruzioni.

 **ATTENZIONE:** Un'ATTENZIONE indica la possibilità di gravi danni all'attrezzatura qualora non ci si attiene alle istruzioni al riguardo.



AVVERTENZA: La mancata comprensione e ottemperanza alle istruzioni fornite può provocare gravi lesioni personali, danni all'apparecchiatura o annullare la garanzia fornita dal produttore. Spetta all'installatore verificare che tutti i componenti siano assemblati correttamente e installati secondo le istruzioni fornite.



BELANGRIJKE AANWIJZINGEN en WAARSCHUWINGEN!



WAARSCHUWING: Een WAARSCHUWING vestigt uw aandacht op de mogelijkheid van ernstig of dodelijk letsel als u de instructies niet opvolgt.



VOORZICHTIG: De aanwijzing VOORZICHTIG vestigt uw aandacht op de mogelijkheid van beschadiging of onherstelbare beschadiging van de apparatuur als u de betreffende instructies niet opvolgt.



WAARSCHUWING: Door niet alle instructies te lezen, volledig te begrijpen en op te volgen, riskeert u ernstig persoonlijk letsel, beschadiging van de apparatuur en het vervallen van de fabrieksgarantie. Degene die het product

installeert is ervoor verantwoordelijk dat alle onderdelen aan de hand van de meegeleverde handleiding op de juiste wijze worden samengebouwd en gemonteerd.



IMPORTANT AVERTISSEMENTS et PRÉCAUTIONS!



AVERTISSEMENT: Un AVERTISSEMENT vous met en garde contre les possibilités de blessures graves ou de danger de mort si vous ne suivez pas les instructions.

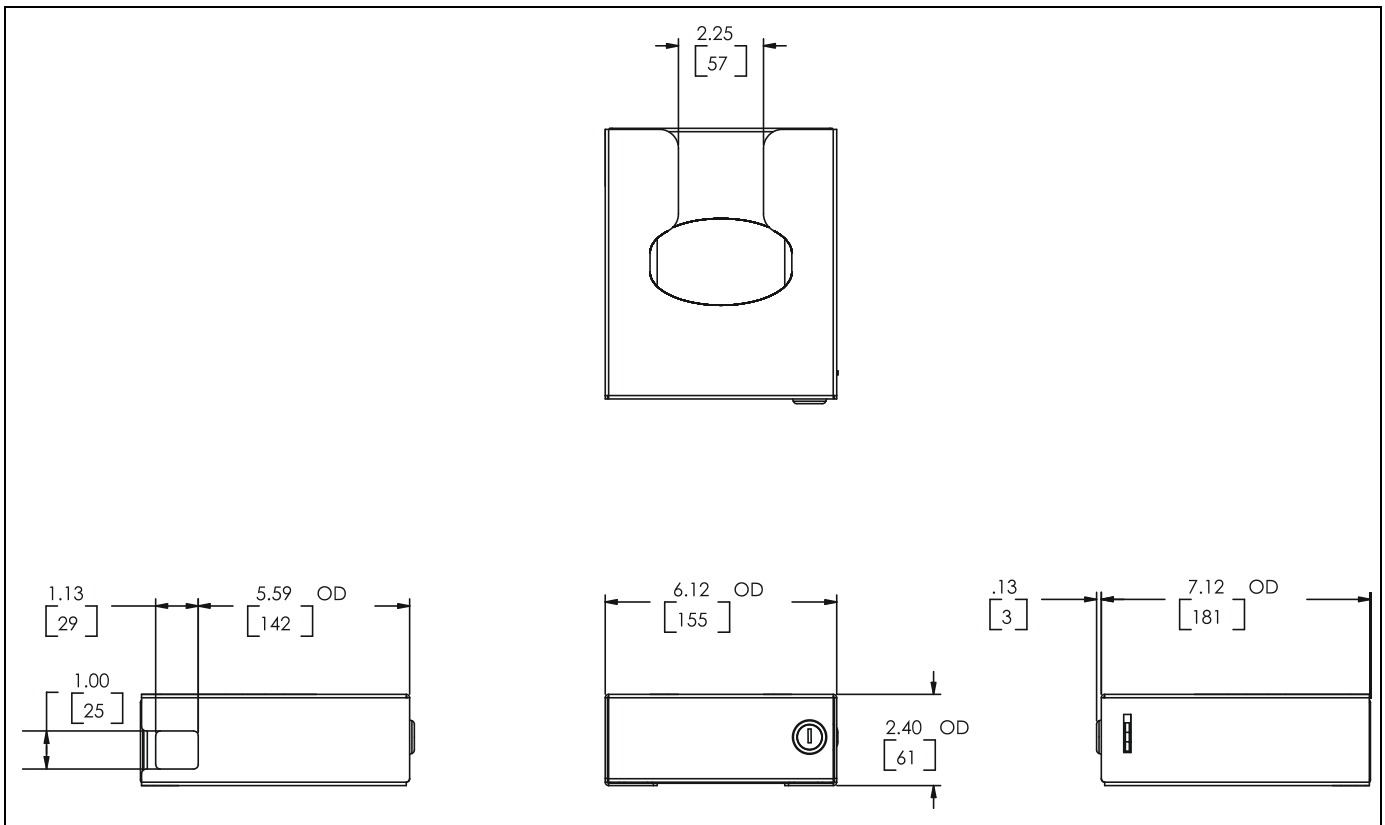


PRÉCAUTION: Une PRÉCAUTION vous met en garde contre les possibilités d'endommagements et de destruction de l'équipement si vous ne suivez pas les instructions correspondantes.

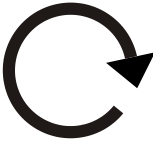



AVERTISSEMENT: Le manque de la lecture, de la compréhension et du respect total de toutes les instructions, peut entraîner des blessures corporelles graves, endommager l'équipement ou annuler la garantie d'usine. Il incombe à l'installateur de s'assurer que tous les composants sont correctement assemblés et installés à l'aide des instructions fournies.


DIMENSIONS





LEGEND


	Tighten Fastener
	Apretar elemento de fijación
	Befestigungsteil festziehen
	Apertar fixador
	Serrare il fissaggio
	Bevestiging vastdraaien
Serrez les fixations	

	Optional
	Opcional
	Optional
	Opcional
	Opzionale
	Optie
En option	

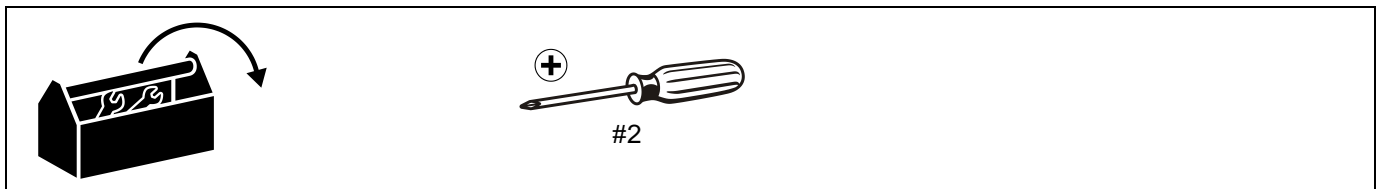
	Phillips Screwdriver
	Destornillador Phillips
	Kreuzschlitzschraubendreher
	Chave de fendas Phillips
	Cacciavite a stella
	Kruiskopschroevendraaier
Tournevis à pointe cruciforme	

	Lock
	Fijar
	Sichern
	Fixar
	Bloccare
	Vergrendelen
Verrouiller	

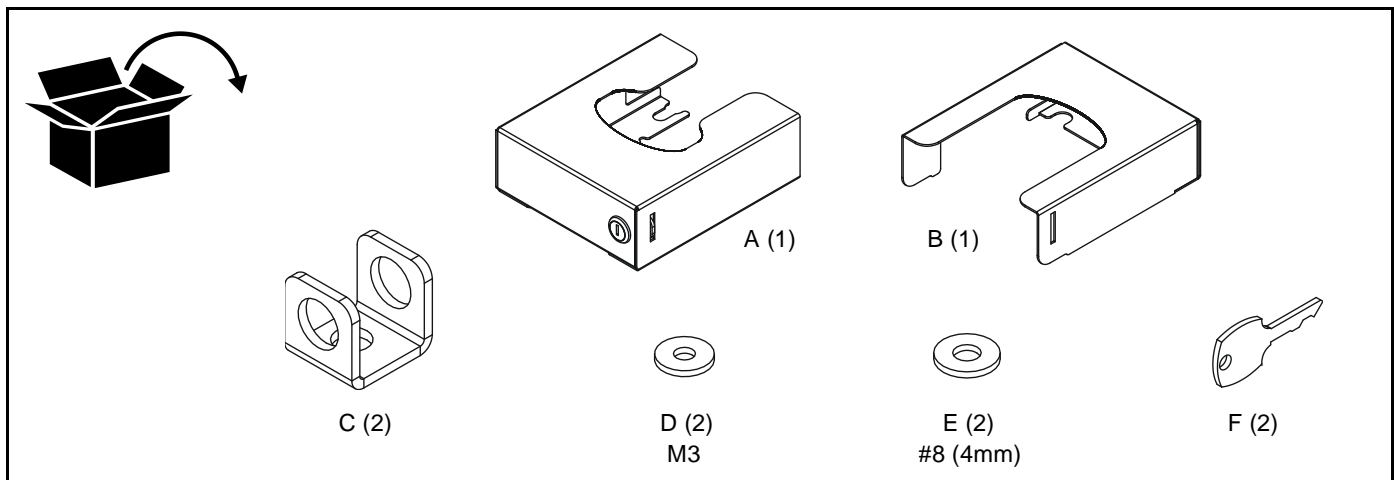
	By Hand
	A mano
	Von Hand
	Com a mão
	A mano
	Met de hand
À la main	

	Remove
	Quitar
	Entfernen
	Remover
	Rimuovere
	Verwijderen
Retirez	

TOOLS REQUIRED FOR INSTALLATION



PARTS



INSTALLATION

SECURITY COVERS FOR INTERFACE



WARNING: Failure to adequately support projector may allow projector to fall, resulting in serious personal injury or damage to equipment! Place projector and interface on secure surface or take other actions to ensure projector does not fall during installation of security covers!

1. Remove projector *and* interface from RPA mount and place on secure surface.

NOTE: If desired, entire projector mount assembly may be removed by disconnecting at top or bottom of extension column.

NOTE: Projector, interface, RPA mount, and extension column not included.

2. Remove one screw attaching interface to projector (See Figure 1).

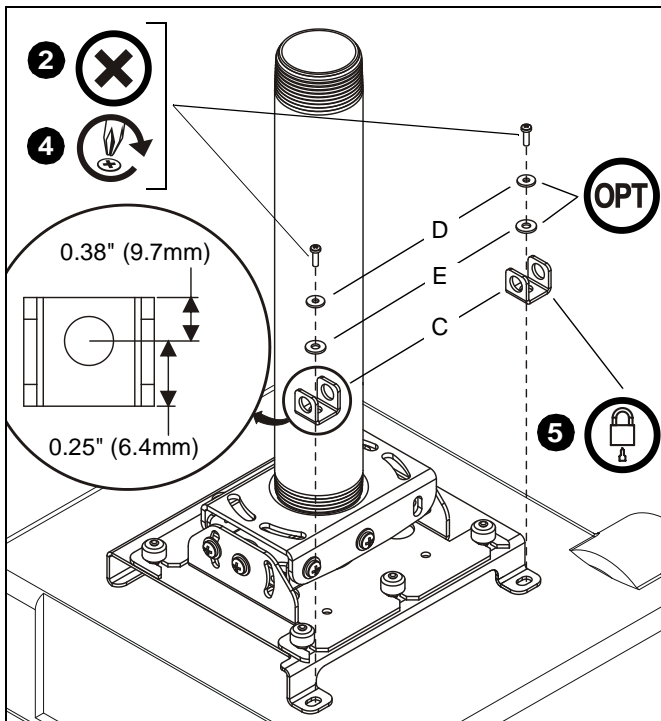


Figure 1

3. Determine washer requirements using following table:

IF diameter of screw removed in step 2 is:	THEN use washer(s):
M3 or smaller	D and E
M4	E
M5 or larger	No washer required



WARNING: Use of screws that are too long may result in damage to internal components of projector, and use of screws that are too short may allow projector to fall. Failure to use screws of proper length may result in serious personal injury or damage to equipment!

4. Install security cover (C), washer (E, if required), washer (D, if required), and screw. (See Figure 1)

NOTE: Screw hole in cover (C) is off center and may be rotated as required to provide adequate clearance to interface.

IMPORTANT ! : If using washers (D and/or E) then longer screw may be necessary. Screw **MUST** engage threaded hole in projector a distance equal to or greater than the diameter of the screw (See Figure 2)! Longer screw(s) not included.

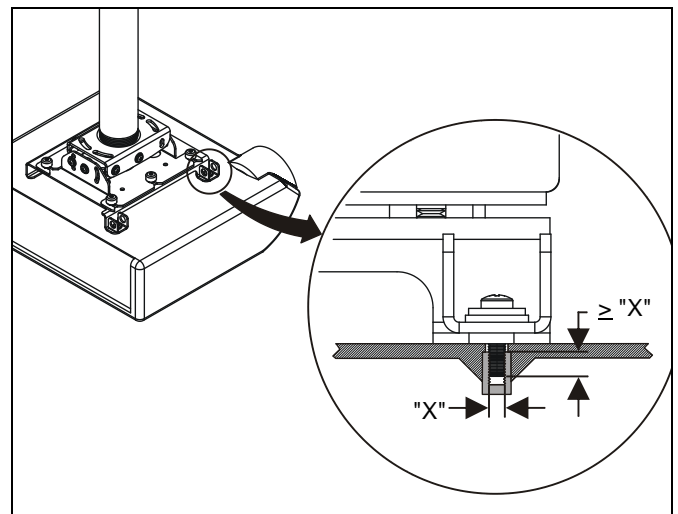


Figure 2

5. Install padlock through holes in cover (C) (See Figure 1).

NOTE: Padlock not included.

6. If desired, repeat steps 2-5 for second cover (C).

7. Reinstall projector and interface to RPA mount. See instructions included with interface.

NOTE: If projector mount assembly was disconnected at top or bottom of extension column, then accomplish the following:

- Reinstall projector mount assembly as required. See instructions included with mount and/or extension column.
- Verify and/or adjust projector image as required. See instructions included with projector.

SECURITY ENCLOSURE FOR MOUNT

NOTE: Projector not shown in Figures 3-6 for clarity.

1. If cables exit extension column *below* RPA mount, then route cables to *left* side of mount as shown (See Figure 3).

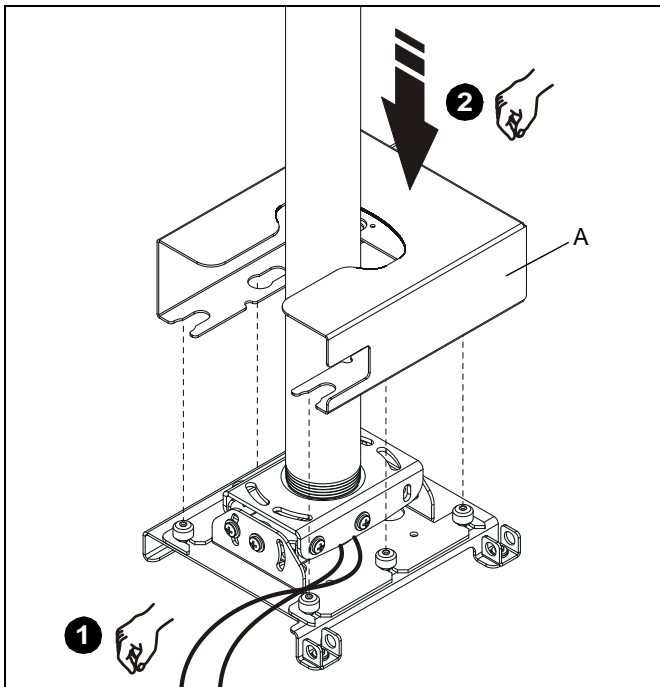


Figure 3

2. Align thumb nut slots in enclosure (A) with thumb nuts on interface (See Figure 3). Lower enclosure (A) into place. Ensure open end of enclosure (A) faces toward cables (if applicable).
3. Slide enclosure (A) towards center of mount and lock into position beneath interface thumb nuts (See Figure 4).

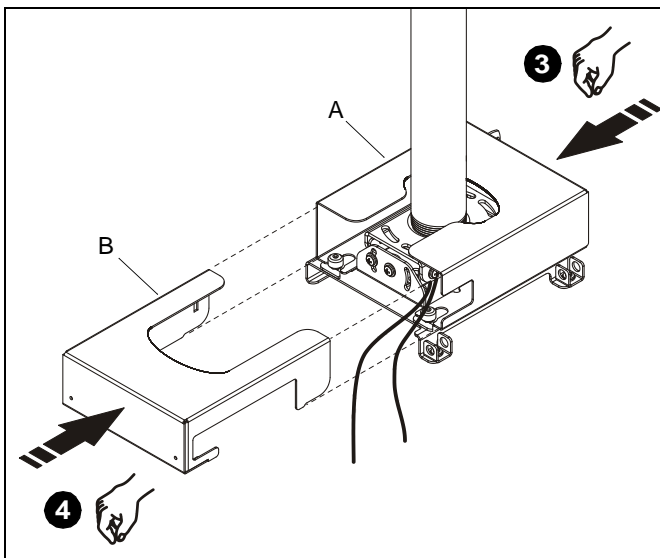


Figure 4

4. Slide enclosure (B) *partially* into enclosure (A) (See Figure 4).
5. Lift cables into opening in enclosure (B), then slide enclosure (B) *fully* into enclosure (A) (See Figure 5).

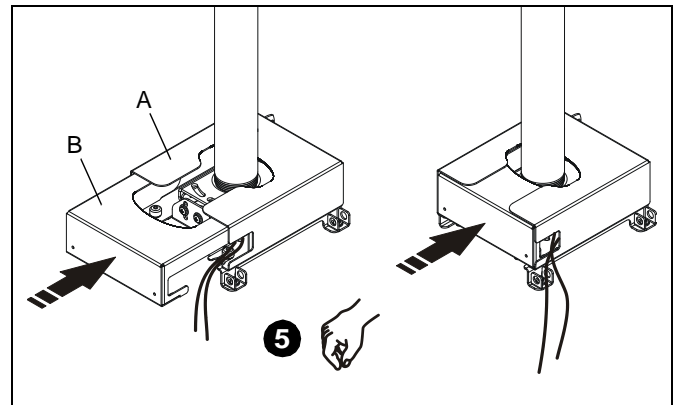


Figure 5

6. Insert key (F) into lock in enclosure (A) (See Figure 6). Rotate 1/4 turn to secure enclosure (A) to enclosure (B).

NOTE: If key (F) will not rotate, ensure key (F) is fully inserted into lock, and that locking slots in enclosures (A, B) are aligned.

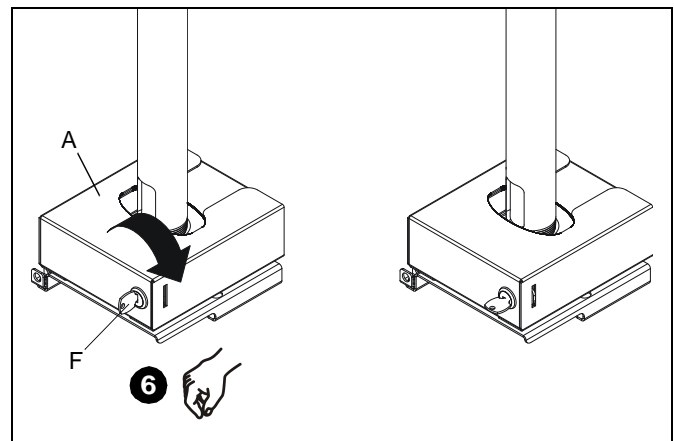


Figure 6



CHIEF | SANUS AUDIO VISUAL



**MANUFACTURERS
DECLARATION OF CONFORMITY**
For

Product identification:

Model/type : PL2
 Category (description) : Mounting devices, Stands and other Accessories, to be used with entertainment electronics
 Brand : Chief

Manufacturer: CSAV Inc.
 8401 Eagle Creek Parkway
 Savage, MN 55378

EU Representative: CSAV Inc.
 Fellennoord 130 5611
 ZB Eindhoven
 The Netherlands
 31 (0)40 2668620

Concerning				
	EMC	Safety		
A sample of the product has been tested by:	Not Applicable	CSAV Inc.		
Test report reference	.			
Applied standards		EN 60065 :2002		

Means of conformity

We declare under our sole responsibility that this product is in conformity with Directive 93/68/EEC (Marking), 98/37/EC (Machinery) 2001/95/EC (Safety) and/or complies to the essential requirements and all other relevant provisions of the based on test results using (non)harmonized standards in accordance with the Directives mentioned



8807-000052
©2006 Chief Manufacturing
www.chiefmfg.com
07/06

USA/International	A 8401 Eagle Creek Parkway, Savage, MN 55378 P 800.582.6480 / 952.894.6280 F 877.894.6918 / 952.894.6918
Europe	A Fellenoord 130 5611 ZB EINDHOVEN, The Netherlands P 31 (0)40 2668620 F 31 (0)40 2668615
Asia Pacific	A Room 30I, Block D, Lily YinDu International Building LuoGang, BuJi Town, Shenzhen, CHINA. Post Code: 518112 深圳市布吉罗岗百合银都国际大厦D栋30I P +86-755-8996 9226 ; 8996 9236 ; 8996 9220 F +86-755-8996 9217