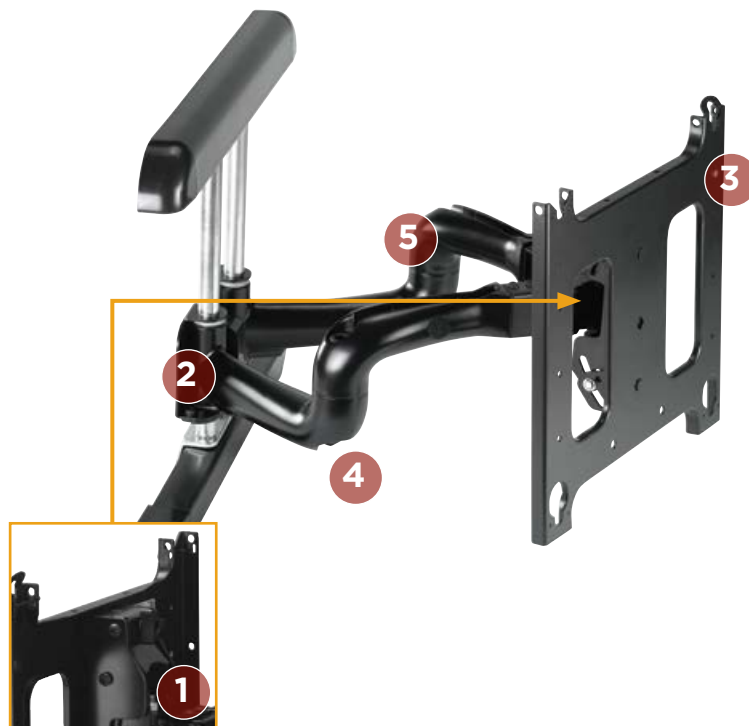




FEATURES

- 1 CENTRIS® FINGERTIP TILT**
Select the perfect tension for your screen's center of gravity to achieve smooth fingertip tilt. Screen angle stays set until you decide to readjust.
- 2 POST-INSTALLATION HEIGHT ADJUSTMENT**
Adjust height up to 1" (25 mm) after mount is installed for ultimate flexibility.
- 3 CLICKCONNECT® LATCHING**
Hear an audible click when the screen engages with the mount. Easy to connect/disconnect - no tools needed!
- 4 EXTENDS UP TO 256"**
Extends up to 25" (635 mm) for viewing from any angle!
- 5 CABLETRAC™ SYSTEM**
Channeled cable management provides quick and easy routing of cables.



SPECIFICATIONS

Extension	25" (635 mm)
Tilt/Roll	-15°, +5° / ±2.5°
Height Adjustment	1" (25 mm)
Dimensions* (HxWxD)	22.04" x 27.06" x 3.5" (560 x 687 x 89 mm)
Color	Black, Silver
Weight Capacity	200 lbs (90.7 kg)

* Dimensions do not include interface bracket

WHAT YOU NEED TO KNOW

ORDERING OPTIONS

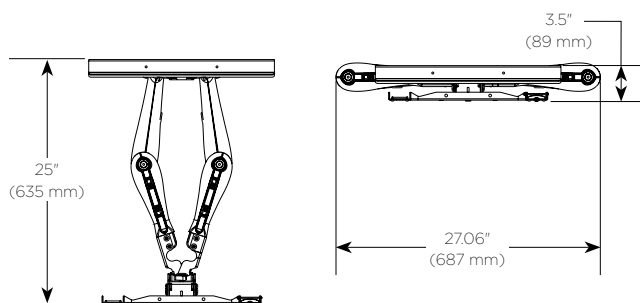
Available in custom and universal.

- PNRU = Universal 42 - 71"
- PNRXXXX = Custom (see MountFinder Pro at chiefmfg.com)



205 Westwood Ave, Long Branch, NJ 07740
Phone: 866-94 BOARDS (26273) / (732)-222-1511
Fax: (732)-222-7088 | E-mail: sales@touchboards.com

TECHNICAL DRAWINGS



RECOMMENDED ACCESSORIES



PACCC1 ■ Center Channel Speaker Adapter



PACLRI ■ Left/Right Speaker Adapter



PAC715 ■ VC Camera Shelf (above)

For a complete list of TV mount accessories see page 86.