

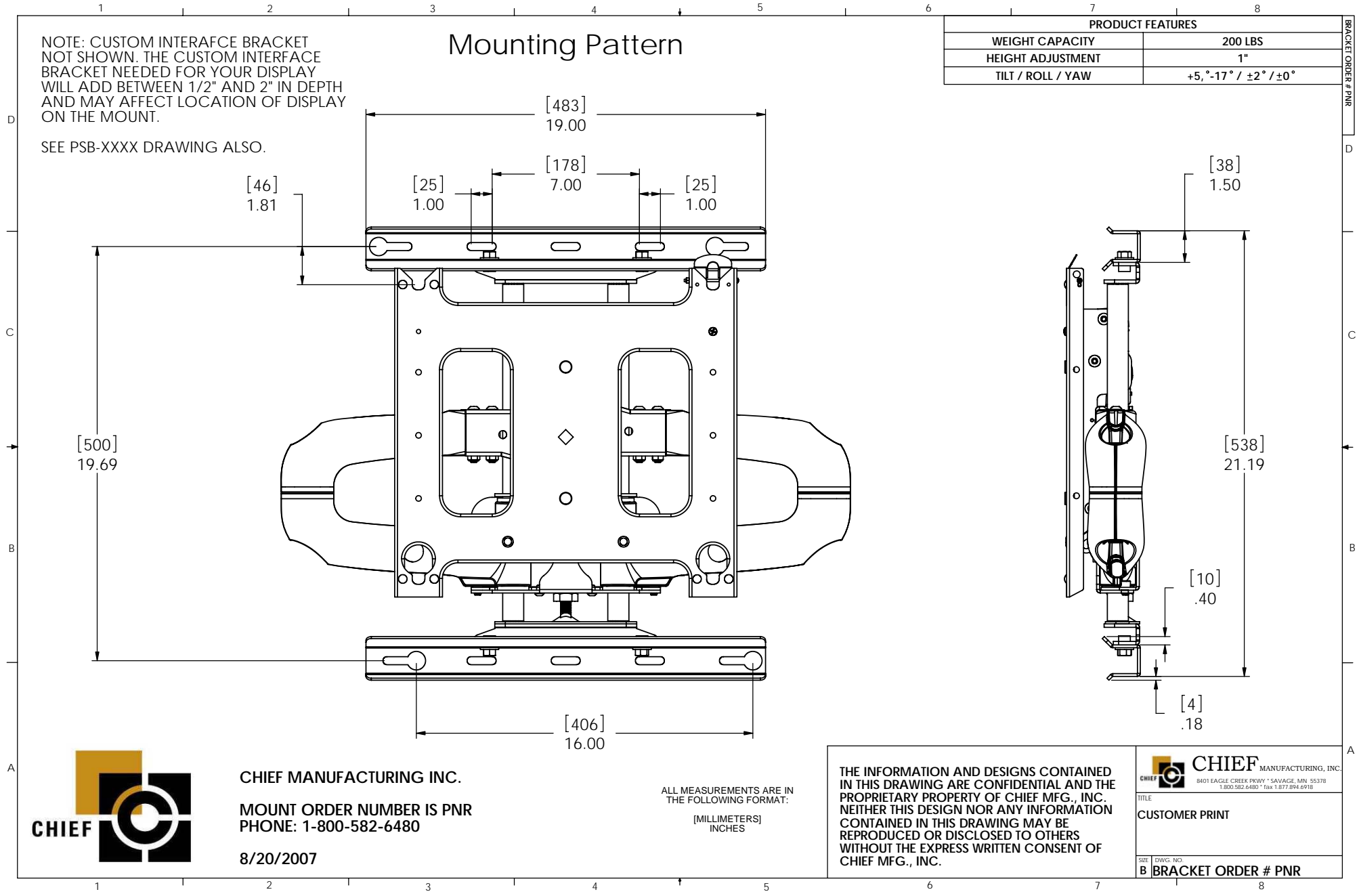
NOTE: CUSTOM INTERAFCE BRACKET NOT SHOWN. THE CUSTOM INTERFACE BRACKET NEEDED FOR YOUR DISPLAY WILL ADD BETWEEN 1/2" AND 2" IN DEPTH AND MAY AFFECT LOCATION OF DISPLAY ON THE MOUNT.

SEE PSB-XXXX DRAWING ALSO.

# Mounting Pattern

## PRODUCT FEATURES

WEIGHT CAPACITY	200 LBS
HEIGHT ADJUSTMENT	1"
TILT / ROLL / YAW	+5, °-17° / ±2° / ±0°



CHIEF MANUFACTURING INC.

MOUNT ORDER NUMBER IS PNR  
PHONE: 1-800-582-6480

8/20/2007

ALL MEASUREMENTS ARE IN THE FOLLOWING FORMAT:

[MILLIMETERS]  
INCHES

THE INFORMATION AND DESIGNS CONTAINED IN THIS DRAWING ARE CONFIDENTIAL AND THE PROPRIETARY PROPERTY OF CHIEF MFG., INC. NEITHER THIS DESIGN NOR ANY INFORMATION CONTAINED IN THIS DRAWING MAY BE REPRODUCED OR DISCLOSED TO OTHERS WITHOUT THE EXPRESS WRITTEN CONSENT OF CHIEF MFG., INC.

**CHIEF** MANUFACTURING, INC.  
8401 EAGLE CREEK PKWY • SAVAGE, MN 55378  
1.800.582.6480 • FAX 1.877.894.6918

TITLE  
CUSTOMER PRINT

SEE DWG. NO.  
B BRACKET ORDER # PNR

BRACKET ORDER # PNR

D

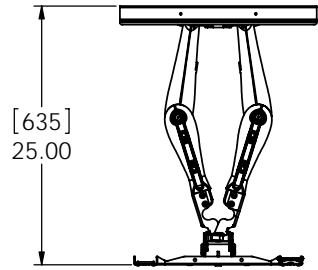
C

B

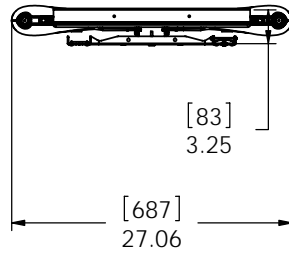
A

Unit Depth

Extended

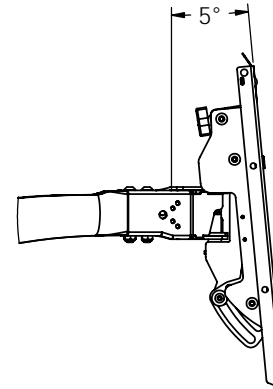


Retracted

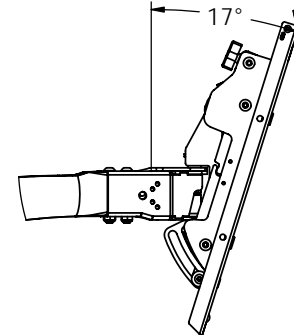


Tilt Adjustment \*

Tilted Up

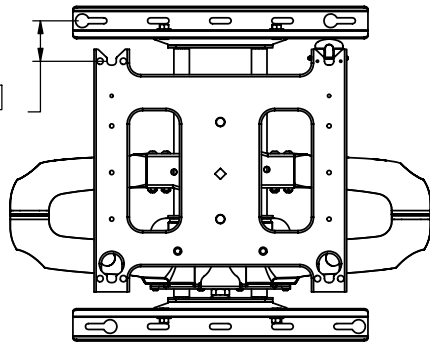


Tilted Down



\*The range of adjustment will vary with different size screens

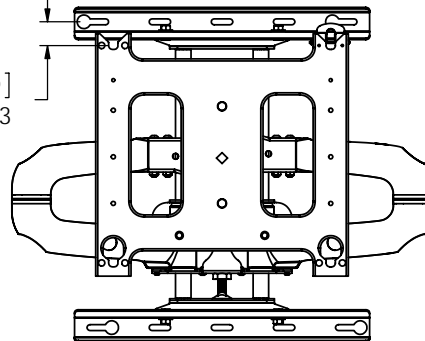
[66]  
2.61



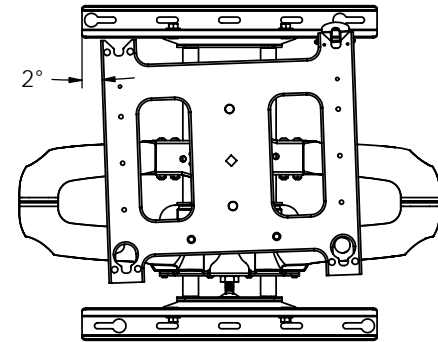
Lowest Height Setting

Highest Height Setting

[39]  
1.53



2°



Roll Adjustment

THE INFORMATION AND DESIGNS CONTAINED IN THIS DRAWING ARE CONFIDENTIAL AND THE PROPRIETARY PROPERTY OF CHIEF MFG., INC. NEITHER THIS DESIGN NOR ANY INFORMATION CONTAINED IN THIS DRAWING MAY BE REPRODUCED OR DISCLOSED TO OTHERS WITHOUT THE EXPRESS WRITTEN CONSENT OF CHIEF MFG., INC.

**CHIEF** MANUFACTURING, INC.  
12800 HWY 13 SOUTH STE. 500 • SAVAGE, MN 55378  
1.800.582.6480 • FAX 1.877.894.6918

TITLE  
CUSTOMER PRINT

SEE DWG. NO.  
B BRACKET ORDER # PNR

BRACKET ORDER # PNR

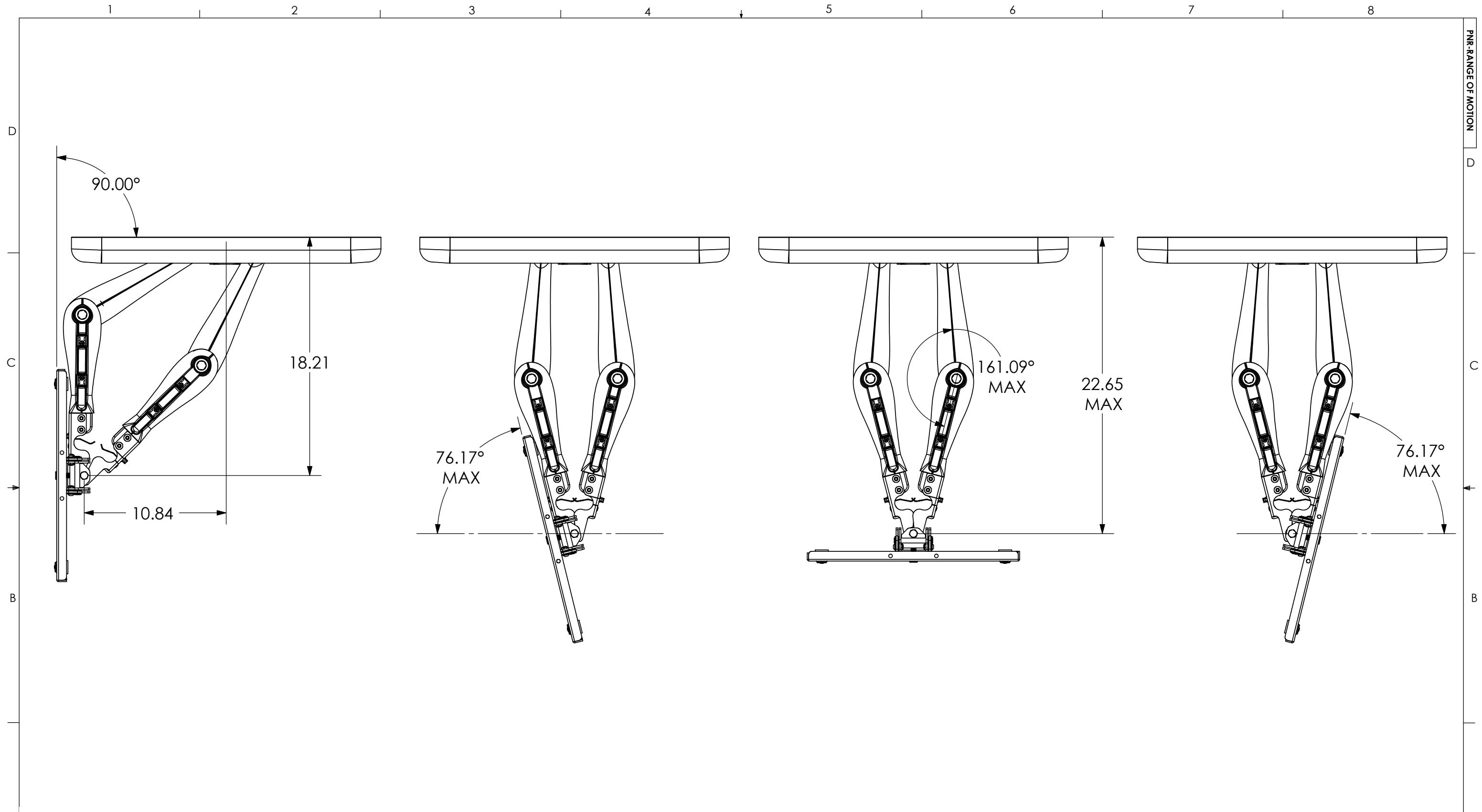
D

C

B

A

1 2 3 4 5 6 7 8



**CHIEF MANUFACTURING INC.**  
**MOUNT ORDER NUMBER IS PNR-RANGE OF MOTION**  
**PHONE: 1-800-582-6480**

SHEET SCALE = 1:7

THE INFORMATION AND DESIGNS CONTAINED  
 IN THIS DRAWING ARE CONFIDENTIAL AND THE  
 PROPRIETARY PROPERTY OF CHIEF MFG., INC.  
 NEITHER THIS DESIGN NOR ANY INFORMATION  
 CONTAINED IN THIS DRAWING MAY BE  
 REPRODUCED OR DISCLOSED TO OTHERS  
 WITHOUT THE EXPRESS WRITTEN CONSENT OF  
 CHIEF MFG., INC.

 <b>CHIEF</b> MANUFACTURING, INC. <small>8401 EAGLE CREEK PKWY STE. 700, SAVAGE, MN 55378        1.800.582.6480 * FAX 1.877.894.6918</small>	
TITLE	
<b>CUSTOMER PRINT</b>	
<b>PNR-RANGE OF MOTION</b>	
SIZE	DWG. NO.
<b>B</b>	<b>PNR-RANGE OF MOTION</b>