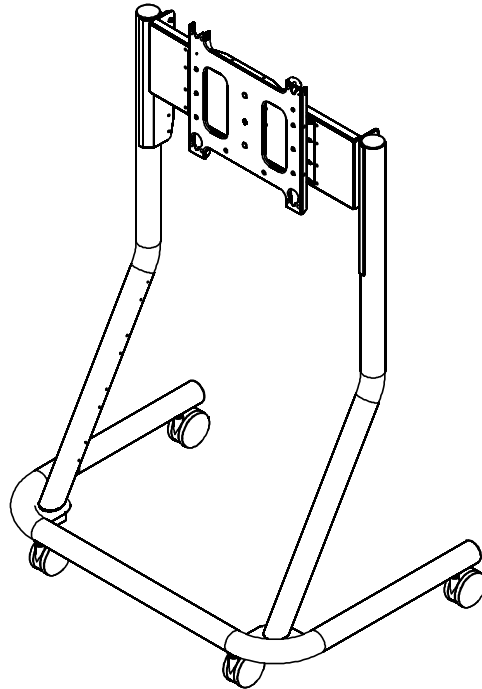

INSTRUCTION MANUAL

Plasma Presenters Cart (PPC-2000)

The Plasma Presenters Cart (PPC) is designed to assist the presenter in showrooms, boardrooms, and trade show exhibits. The PPC provides agile mobility for screens weighing up to 200 pounds while furnishing safe, stable support.

The attractive cart base is constructed of rugged 2.5" diameter steel tubing with optional smoked acrylic accessory shelves. Access holes, to conceal unsightly equipment cords or cables, are provided at several locations in the base. The standard two 4" twin wheel casters and two locking casters make movement easy yet prevent accidental movement of the screen.

The universal mounting plate accepts all Chief PSB mounting brackets. The 2" incremental height adjustment facilitates optimum viewing for most settings.



BEFORE YOU BEGIN

- **CAUTION:** To prevent damage to the Plasma Presenters Cart, which could affect or void the Factory warranty, thoroughly study all instructions and illustrations before you begin to install or operate the unit.
- The maximum weight to be installed on the PPC is 200 pounds (90.7 Kg).

Touchboards

205 Westwood Ave, Long Branch, NJ 07740
Phone: 866-94 BOARDS (26273) / (732)-222-1511
Fax: (732)-222-7088 | E-mail: sales@touchboards.com

CHIEF

Our Mounts. Your Vision.

Chief Manufacturing, a division of Milestone AV Technologies
8401 Eagle Creek Parkway, Savage, MN 55378
P: 800.582.6480 / 952.894.6280 F: 877.894.6918 / 952.894.6918

8809-000001 Rev. I
©2008 Milestone AV Technologies
www.chiefmfg.com

10/08



IMPORTANT WARNINGS and CAUTIONS!

WARNING: A **WARNING** alerts you to the possibility of serious injury or death if you do not follow the instructions.

CAUTION: A **CAUTION** alerts you to the possibility of damage or destruction of equipment if you do not follow the corresponding instructions.

- **WARNING:** Do not attempt to hang the Plasma Display Panel onto the cart alone. Always use two people to hang the display.
- **WARNING:** Always park the cart on a level surface. The locking wheels of the cart are not designed to hold the cart on an inclined surface.
- **WARNING:** Do not use the cart to transport your Plasma Display Panel on ramps or steep angles. The cart is designed to move on smooth, flat surfaces.
- **CAUTION:** Inspect the unit for shipping damage.
- **CAUTION:** Do not use cleanser or harsh cleaning agents on acrylic shelves.

TOOLS REQUIRED FOR INSTALLATION

- 7/16", 1/2", and 3/4" wrench
- Allen wrenches
- Socket set with extension
- Phillips screw driver

NOTE: Other tools may be required depending on the method of installation.

CONTENTS

INSPECT PARTS BEFORE ASSEMBLY	2
Inspect The Cart	2
ASSEMBLE CART	3
MOUNT FLAT PANEL DISPLAY ON CART...	4
REMOVE DISPLAY FROM MOUNT.....	5

INSPECT PARTS BEFORE ASSEMBLY

Inspect The Cart

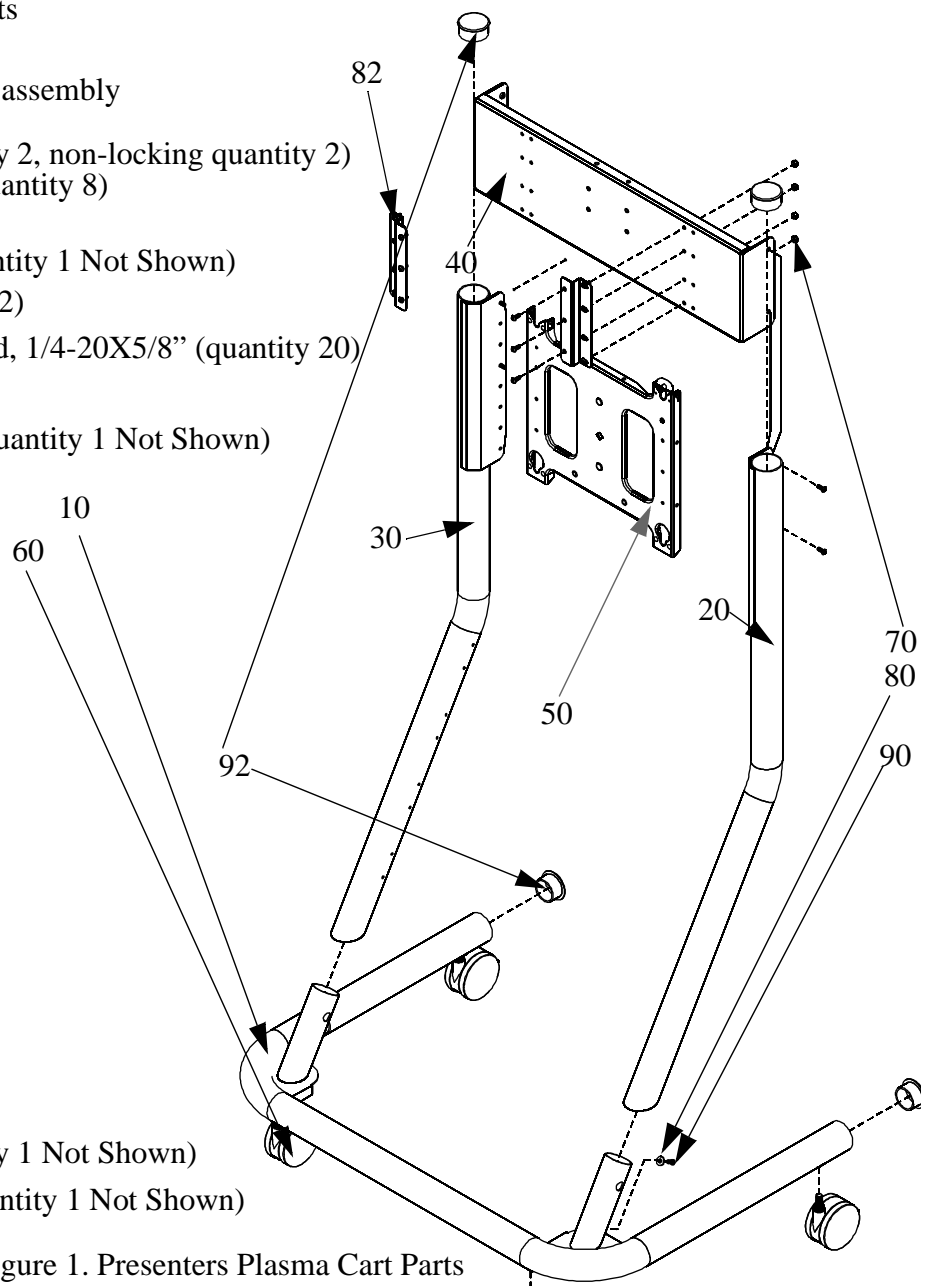
1. Carefully inspect the cart for shipping damage. If any damage is apparent, call your carrier claims agent and do not continue with the assembly procedure until the carrier has reviewed the damage.

NOTE: Read all assembly instructions before starting assembly.

2. Carefully inspect the Plasma Presenters Cart (PPC) components for damage (See Figure 1).

Item

- 10. BASE with corner supports
- 20. LEG, right hand
- 30. LEG, left hand
- 40. HEAD, mounting, plasma assembly
- 50. PLATE, face
- 60. CASTER (locking quantity 2, non-locking quantity 2)
- 70. NUTS, Nylock 1/4-20 (quantity 8)
- 80. WASHERS, (quantity 2)
- 81. NUT, Nylock, 10-24 (quantity 1 Not Shown)
- 82. BRACKET, side (quantity 2)
- 90. SCREWS, cap, button head, 1/4-20X5/8" (quantity 20)
- 92. PLUG, cap (quantity 4)
- 93. WRENCH, Allen, 5/32" (quantity 1 Not Shown)



- 100. WASHER, Nylon (quantity 1 Not Shown)
- 200. SCREW, 10-24X1/2" (quantity 1 Not Shown)

Figure 1. Presenters Plasma Cart Parts

ASSEMBLE CART

Numbers in () refer to parts shown in Figure 1 and Figure 2. Assemble cart as follows:

1. Place base (10) upside down and thread two locking casters and two regular casters (60) into base (see Figure 3).
2. Place base upright on casters. Install right leg (20) and left leg (30), making sure the mounting tabs face inward (see Figure 4). Secure legs using two 1/4" fender washers (80), two lock washers (81), and two 1/4-20X5/8" screws (90).
3. Using eight 1/4-20X5/8" screws (90) and 1/4-20 Nylock nuts (70), secure each side bracket (82) to the mounting head (40) (see Figure 5).
4. Using six 1/4-20X5/8" screws (90) secure the face plate (50) to the side brackets (82) (see Figure 5).
5. Using four 1/4-20X5/8" buttonhead cap screws, two per side, secure the mounting head (40) to the top of the legs of the cart (see Figure 7).
6. Install cap plugs in base (see Figure 4) and on top of each leg (see Figure 6).

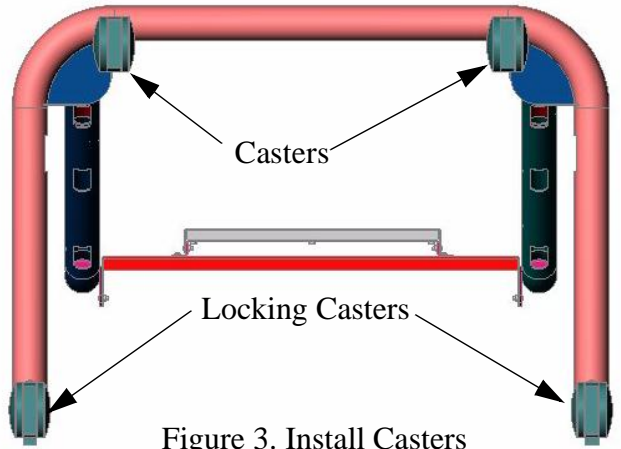


Figure 3. Install Casters

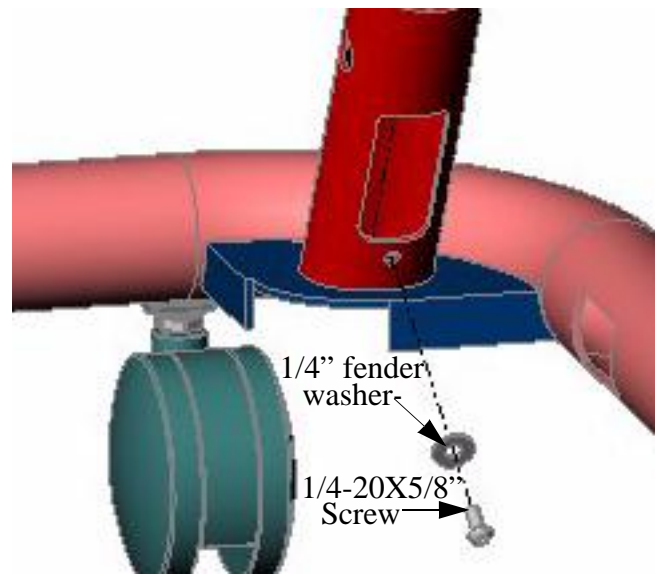


Figure 4. Install Legs

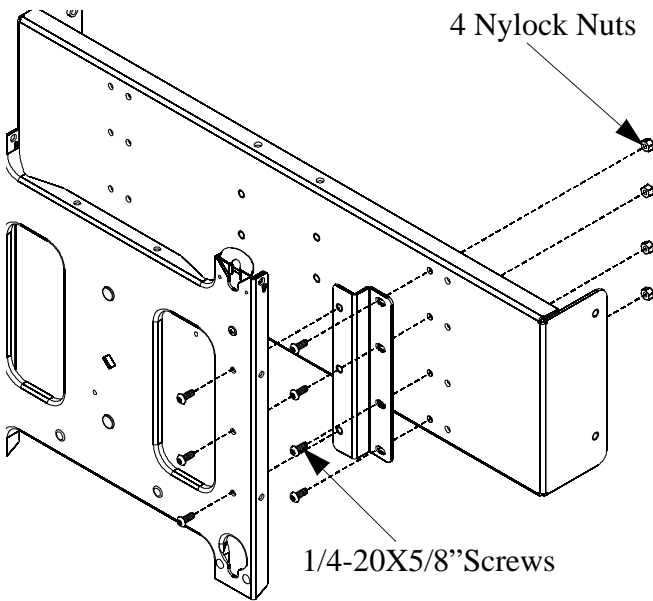


Figure 5. Face Plate and Mounting Head

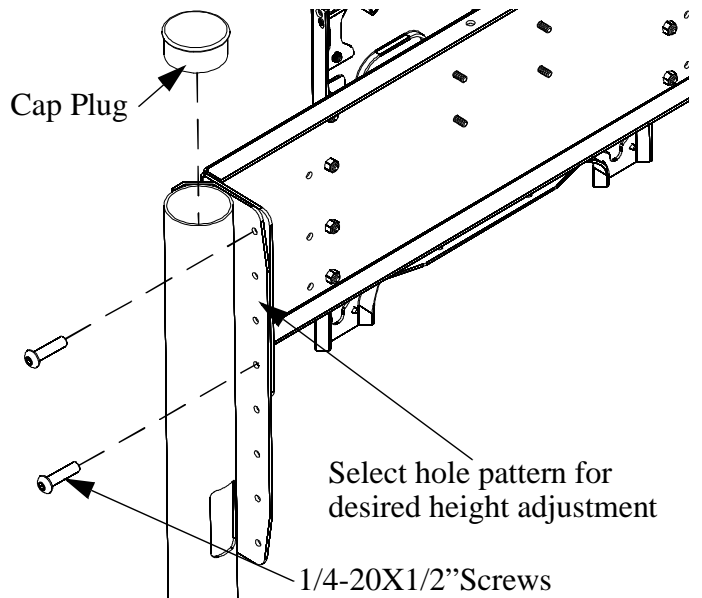


Figure 6. Install Mounting Head and Cap Plugs

MOUNT PLASMA DISPLAY ON CART

1. Install PSB bracket (not included) on plasma display according to instructions supplied with bracket.

WARNING: Do not attempt to hang the plasma display onto the cart with one person.

2. With the cart rolled up against a stable vertical surface, make sure the casters are locked.
3. While supporting both sides of display, align four mounting buttons on display or interface bracket with four mounting holes in head assembly. (See Figures 7 and 8)

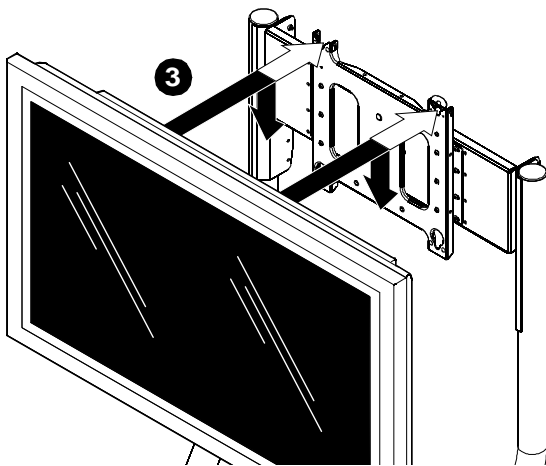


Figure 7

WARNING: DISPLAY MAY WEIGH IN EXCESS OF 40 LBS!
Always use two people and proper lifting techniques when installing or positioning display on stand.

4. Lower display into place listening for audible "click" to ensure recessed area of mounting buttons are properly seated in lower area of mounting holes. (See Figures 7 and 8)

WARNING: IMPROPER INSTALLATION CAN LEAD TO DISPLAY FALLING CAUSING SERIOUS PERSONAL INJURY OR DAMAGE TO EQUIPMENT! Ensure mounting buttons are completely engaged in mounting holes.

NOTE: Holes are provided in the faceplate for use with a padlock or similar locking device, if desired. In addition, the pin and nut may be removed from the upper holes and moved to the lower holes for use as a more permanent locking device. (See Figure 8)

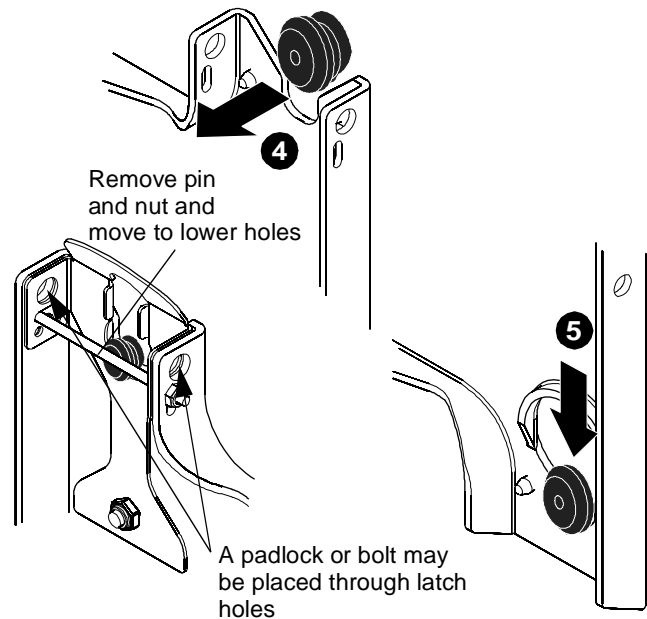


Figure 8.

REMOVING DISPLAY FROM MOUNT

1. Remove bolt or padlock from faceplate (if used).

NOTE: The pin may have been used as a more permanent locking device. If so, remove nut and pin and move from the lower holes to the upper holes.

2. Pull back on flag on upper mounting hole and press pin down into "Open" position. (See Figure 9)

WARNING: DISPLAY MAY WEIGH IN EXCESS OF 40 LBS!
Always use two people and proper lifting techniques when installing or positioning display on mount.

3. Carefully lift display from mount.
4. Lift up on pin and place flag back against faceplate to return it to "Closed" position.

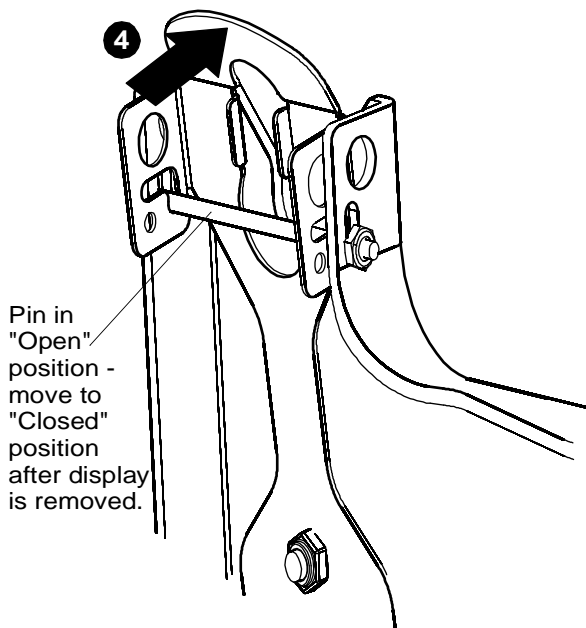
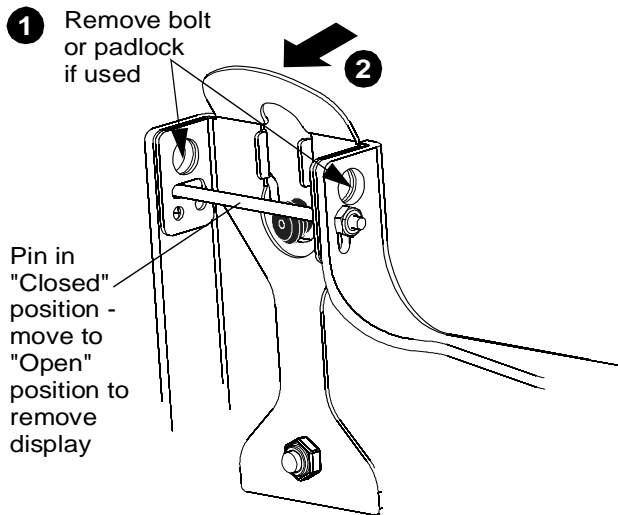


Figure 9.

