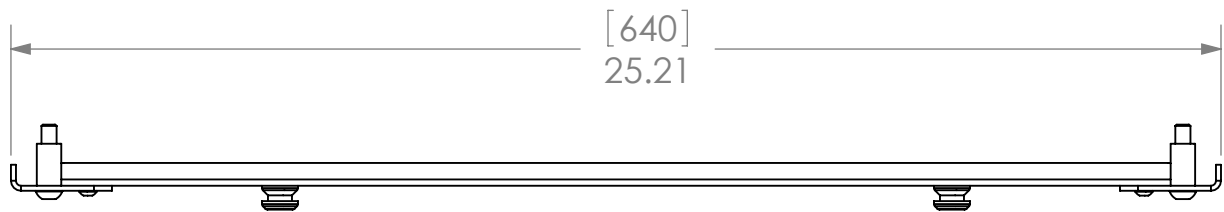


1 2 3 4 5 6 7 8

PSB-2534



MOUNTING HOLE IN BACK OF DISPLAY

MOUNTING BUTTONS FIT INTO TEARDROP SLOTS ON MOUNT

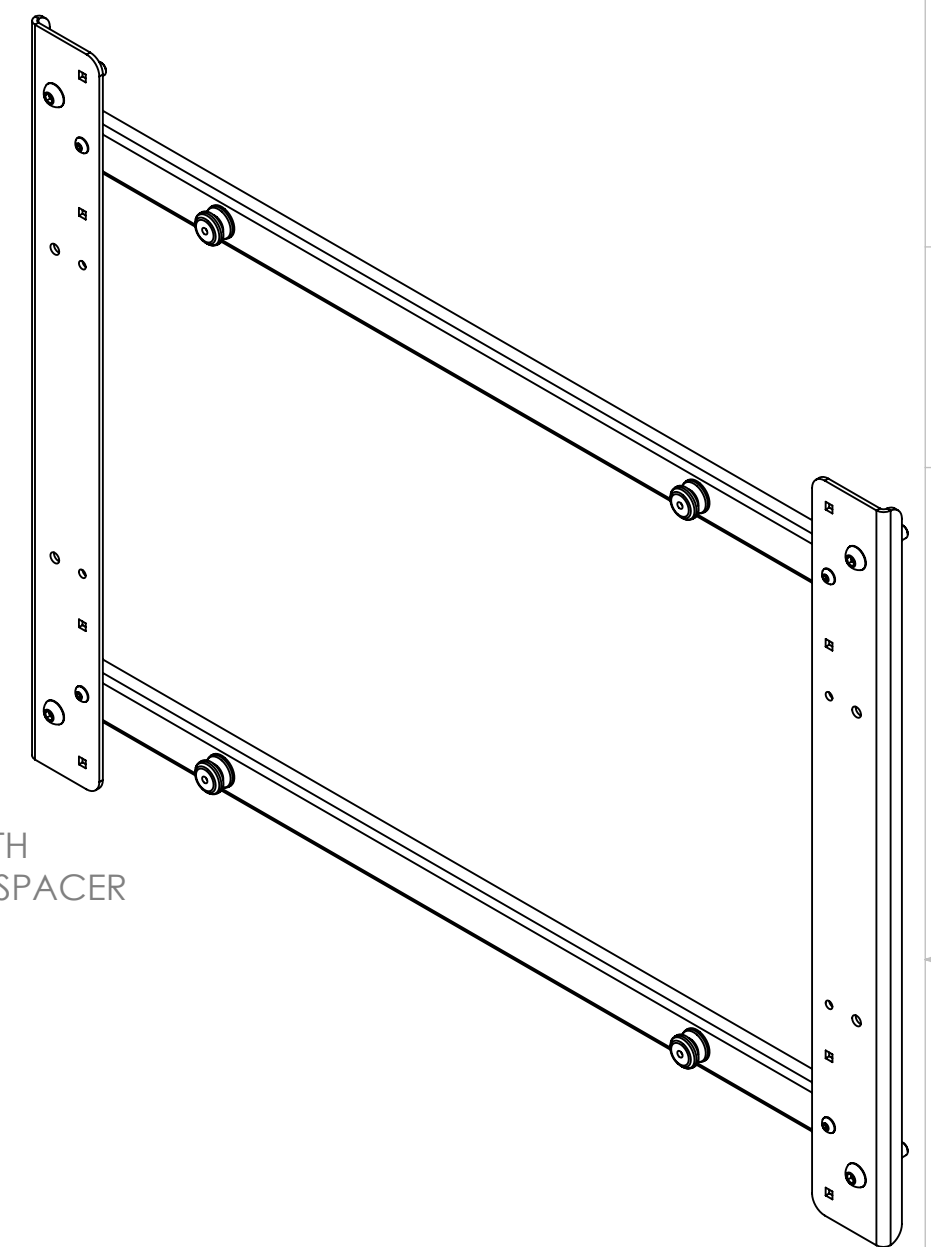
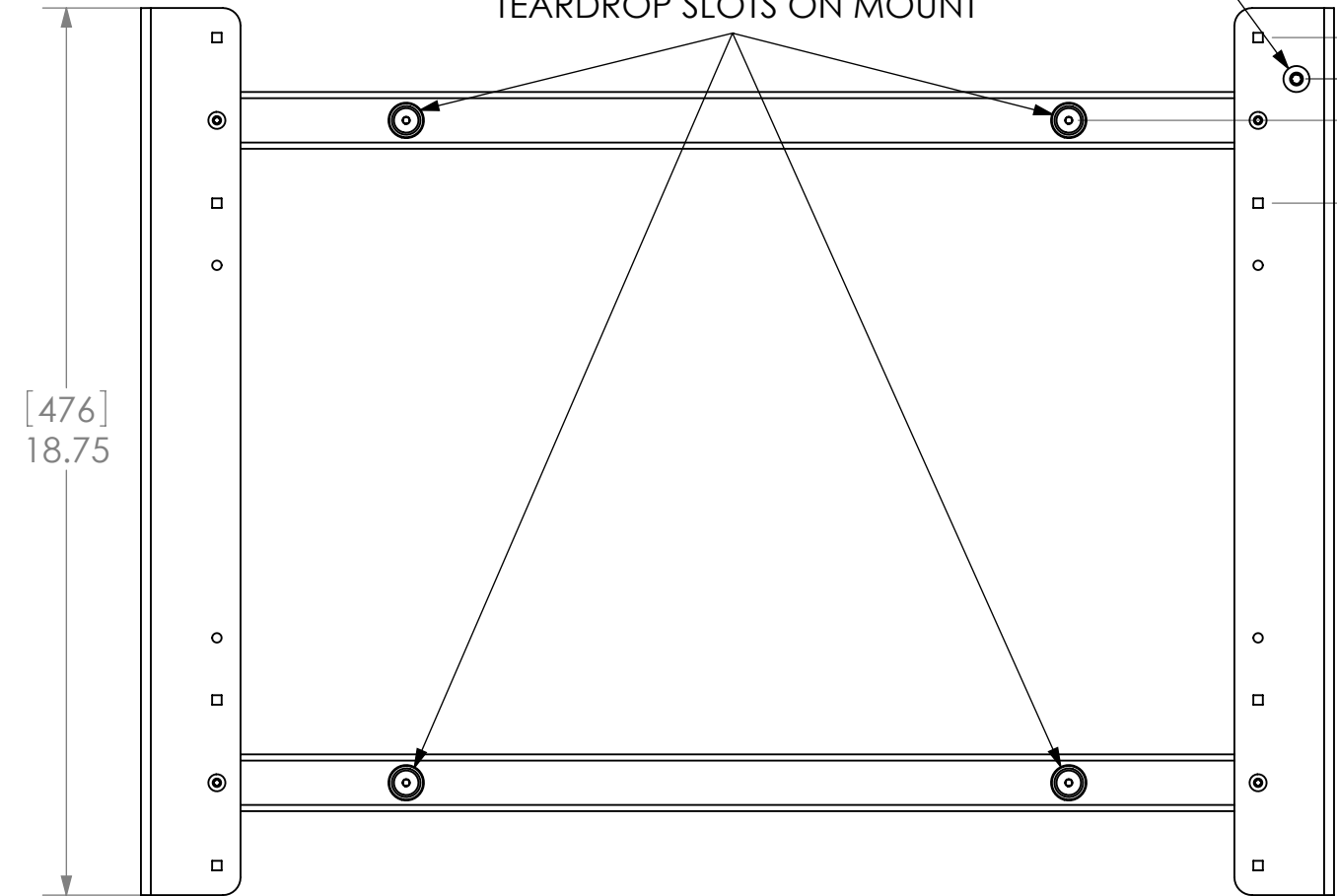
[22]  
.88  
TOP OFFSET

[22]  
.87

[67]  
2.62  
BOTTOM OFFSET

[27]  
1.08  
ADDED DEPTH

[43]  
1.70  
ADDED DEPTH  
WITH EXTRA SPACER



**CHIEF MANUFACTURING INC.**  
**MOUNT ORDER NUMBER IS PSB-2534**  
**PHONE: 1-800-582-6480**

SHEET SCALE = 1:4

THE INFORMATION AND DESIGNS CONTAINED IN THIS DRAWING ARE CONFIDENTIAL AND THE PROPRIETARY PROPERTY OF CHIEF MFG., INC. NEITHER THIS DESIGN NOR ANY INFORMATION CONTAINED IN THIS DRAWING MAY BE REPRODUCED OR DISCLOSED TO OTHERS WITHOUT THE EXPRESS WRITTEN CONSENT OF CHIEF MFG., INC.

<b>CHIEF</b> MANUFACTURING, INC. <small>8401 EAGLE CREEK PKWY STE. 700, SAVAGE, MN 55378        1.800.582.6480 * FAX 1.877.894.6918</small>	
TITLE	
<b>CUSTOMER PRINT</b>	
<b>PSB-2534</b>	
SIZE	DWG. NO.
<b>B</b>	<b>PSB-2534</b>

1 2 3 4 5 6 7 8

A