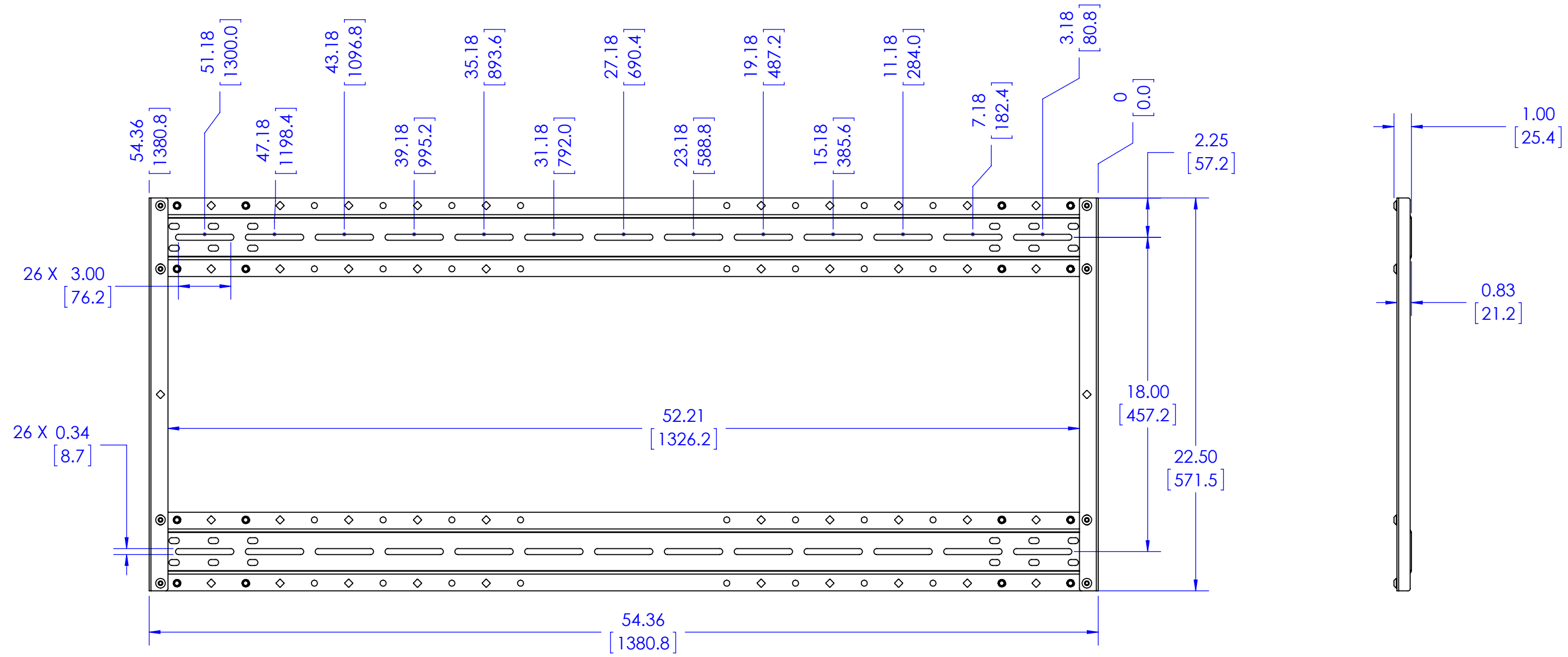


SHOWN SET UP FOR A SCREEN WITH A MOUNTING PATTERN OF 1200 mm WIDE X 600 mm TALL

Touchboards
 205 Westwood Ave, Long Branch, NJ 07740
 Phone: 866-94 BOARDS (26273) / (732)-222-1511
 Fax: (732)-222-7088 | E-mail: sales@touchboards.com

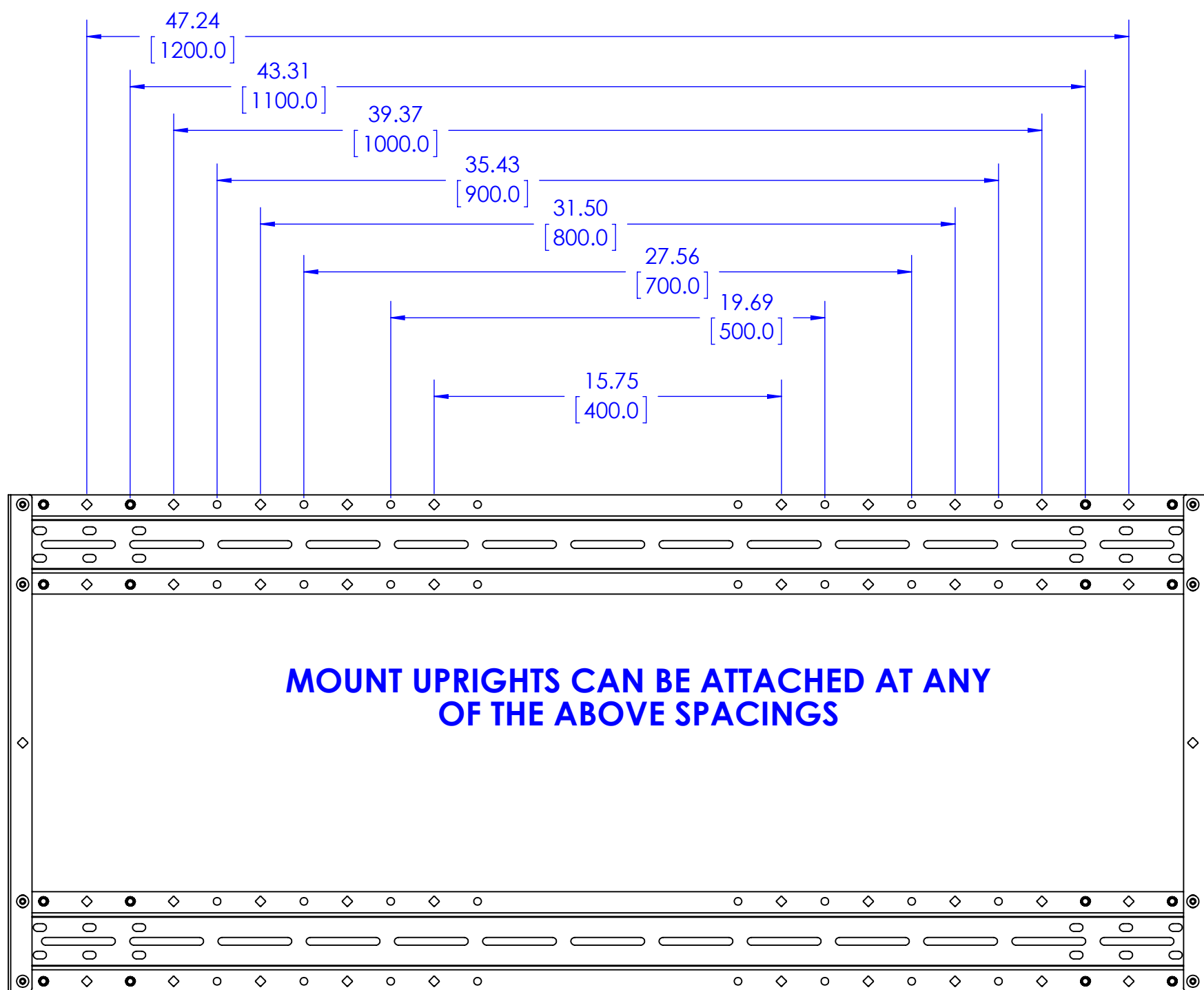
THE INFORMATION AND DESIGNS CONTAINED IN THIS DRAWING ARE CONFIDENTIAL AND THE PROPRIETARY PROPERTY OF MILESTONE AV TECHNOLOGIES NEITHER THIS DESIGN NOR ANY INFORMATION CONTAINED IN THIS DRAWING MAY BE REPRODUCED OR DISCLOSED TO OTHERS WITHOUT THE EXPRESS WRITTEN CONSENT OF MILESTONE AV TECHNOLOGIES.

CAD GENERATED DRAWING, DO NOT MANUALLY UPDATE.				6436 CITY WEST PKWY EDEN PRAIRIE MN, 55344 PHONE: 866-977-3901 FAX: 877-894-6918	
DRAWN BY	JAB	8/10/2015		DESCRIPTION	EXTRA LARGE STATIC WALL MOUNT
ENG APPROVAL			MODEL NO.	PSMH2079	
MFG APPROVAL			SCALE	1:8	REV. 00
QA APPROVAL			SIZE	B	DWG. NO. TECH-000745
SHEET 1 OF 4					



THE INFORMATION AND DESIGNS CONTAINED IN THIS DRAWING ARE CONFIDENTIAL AND THE PROPRIETARY PROPERTY OF MILESTONE AV TECHNOLOGIES NEITHER THIS DESIGN NOR ANY INFORMATION CONTAINED IN THIS DRAWING MAY BE REPRODUCED OR DISCLOSED TO OTHERS WITHOUT THE EXPRESS WRITTEN CONSENT OF MILESTONE AV TECHNOLOGIES.

CAD GENERATED DRAWING, DO NOT MANUALLY UPDATE.			<p>6436 CITY WEST PKWY EDEN PRAIRIE MN, 55344 PHONE: 866-977-3901 FAX: 877-894-6918</p>
DRAWN BY	JAB	8/10/2015	
ENG APPROVAL			
MFG APPROVAL			
QA APPROVAL			DESCRIPTION EXTRA LARGE STATIC WALL MOUNT
SHEET 2 OF 4			MODEL NO. PSMH2079
SCALE	1:8	SIZE	DWG. NO. B TECH-000745
			REV. 00

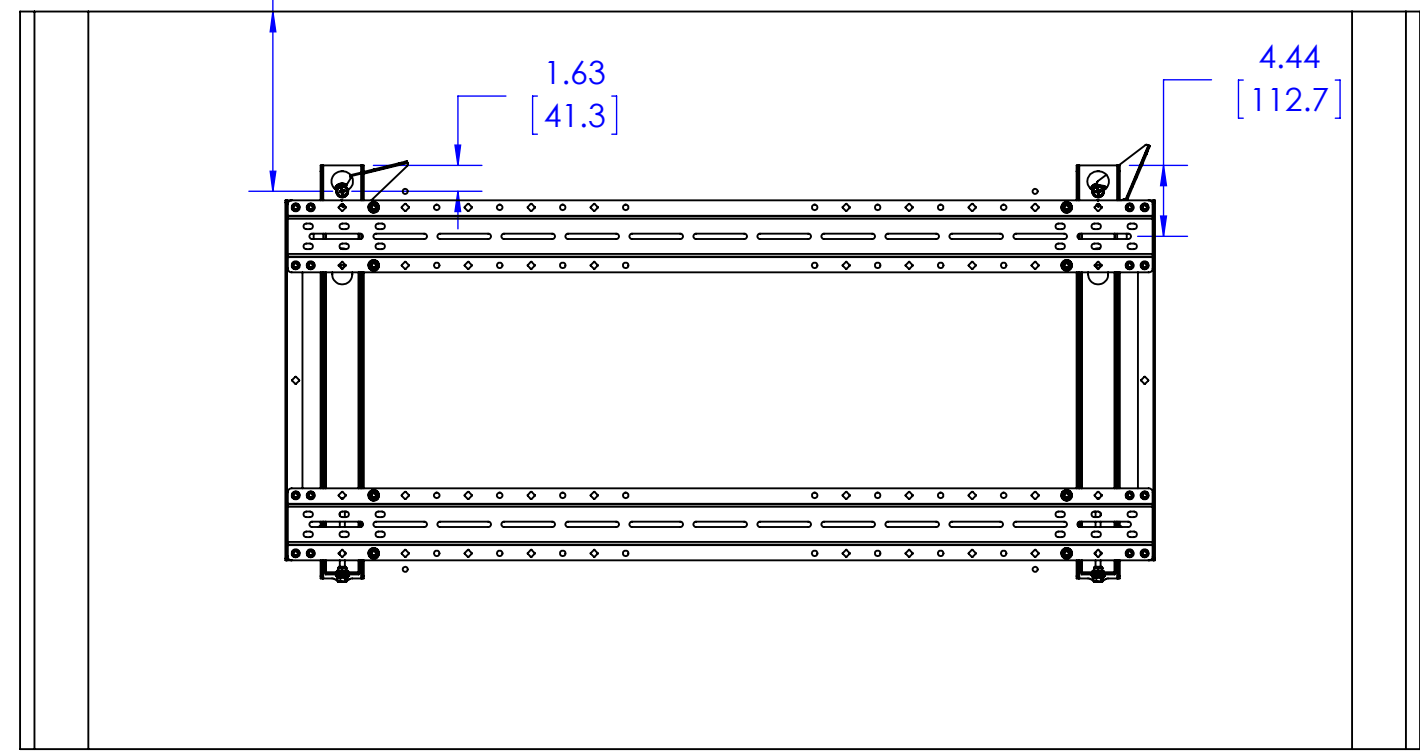


MOUNT UPRIGHTS CAN BE ATTACHED AT ANY OF THE ABOVE SPACINGS

THE INFORMATION AND DESIGNS CONTAINED IN THIS DRAWING ARE CONFIDENTIAL AND THE PROPRIETARY PROPERTY OF MILESTONE AV TECHNOLOGIES NEITHER THIS DESIGN NOR ANY INFORMATION CONTAINED IN THIS DRAWING MAY BE REPRODUCED OR DISCLOSED TO OTHERS WITHOUT THE EXPRESS WRITTEN CONSENT OF MILESTONE AV TECHNOLOGIES.

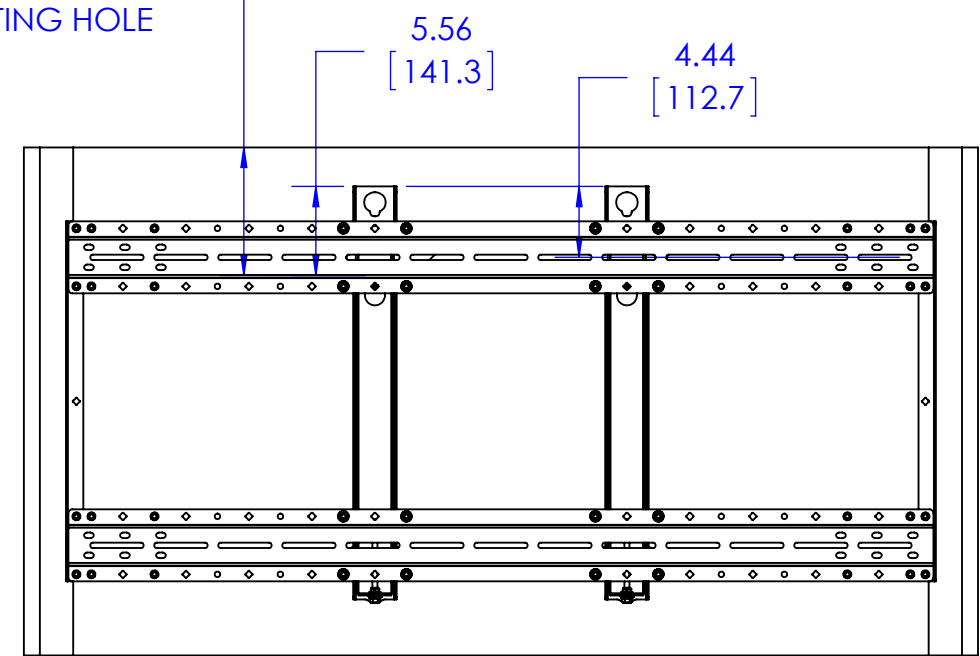
CAD GENERATED DRAWING, DO NOT MANUALLY UPDATE.			6436 CITY WEST PKWY EDEN PRAIRIE MN, 55344 PHONE: 866-977-3901 FAX: 877-894-6918
DRAWN BY	JAB	8/10/2015	
ENG APPROVAL			DESCRIPTION EXTRA LARGE STATIC WALL MOUNT
MFG APPROVAL			MODEL NO. PSMH2079
QA APPROVAL			SIZE DWG. NO. REV. B TECH-000745 00
SHEET 3 OF 4			SCALE 1:8

DISTANCE FROM TOP OF SCREEN TO FIRST MOUNTING HOLE



SHOWN WITH MICROSOFT SURFACE HUB 84

DISTANCE FROM TOP OF SCREEN TO FIRST MOUNTING HOLE



SHOWN WITH MICROSOFT SURFACE HUB 55

THE INFORMATION AND DESIGNS CONTAINED IN THIS DRAWING ARE CONFIDENTIAL AND THE PROPRIETARY PROPERTY OF MILESTONE AV TECHNOLOGIES NEITHER THIS DESIGN NOR ANY INFORMATION CONTAINED IN THIS DRAWING MAY BE REPRODUCED OR DISCLOSED TO OTHERS WITHOUT THE EXPRESS WRITTEN CONSENT OF MILESTONE AV TECHNOLOGIES.

CAD GENERATED DRAWING, DO NOT MANUALLY UPDATE.			 6436 CITY WEST PKWY EDEN PRAIRIE MN, 55344 PHONE: 866-977-3901 FAX: 877-894-6918
DRAWN BY	JAB	8/10/2015	
ENG APPROVAL			DESCRIPTION EXTRA LARGE STATIC WALL MOUNT
MFG APPROVAL			MODEL NO. PSMH2079
QA APPROVAL			SIZE DWG. NO. REV. B TECH-000745 00
SHEET 4 OF 4			SCALE 1:8