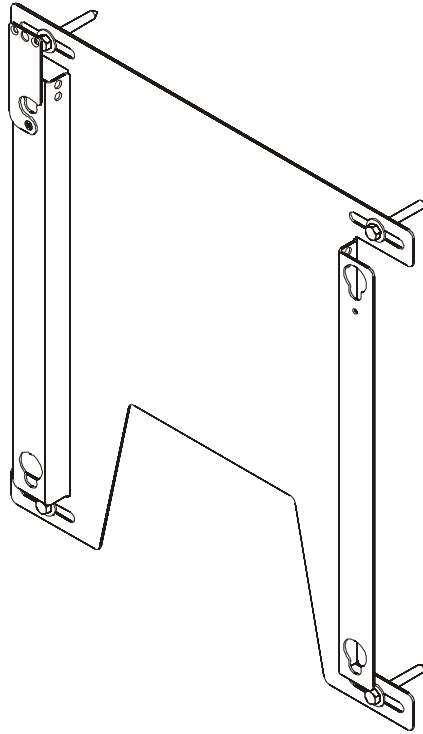


---

# INSTALLATION INSTRUCTIONS

---



---

## Large Flat Panel Static Wall Mount

---

**Touchboards**

205 Westwood Ave, Long Branch, NJ 07740  
Phone: 866-94 BOARDS (26273) / (732)-222-1511  
Fax: (732)-222-7088 | E-mail: [sales@touchboards.com](mailto:sales@touchboards.com)

**DISCLAIMER**

Milestone AV Technologies and its affiliated corporations and subsidiaries (collectively "Milestone"), intend to make this manual accurate and complete. However, Milestone makes no claim that the information contained herein covers all details, conditions or variations, nor does it provide for every possible contingency in connection with the installation or use of this product. The information contained in this document is subject to change without notice or obligation of any kind. Milestone makes no representation of warranty, expressed or implied, regarding the information contained herein. Milestone assumes no responsibility for accuracy, completeness or sufficiency of the information contained in this document.

Chief® is a registered trademark of Milestone AV Technologies. All rights reserved.

**! IMPORTANT WARNINGS AND CAUTIONS!**

**! WARNING:** A WARNING alerts you to the possibility of serious injury or death if you do not follow the instructions.

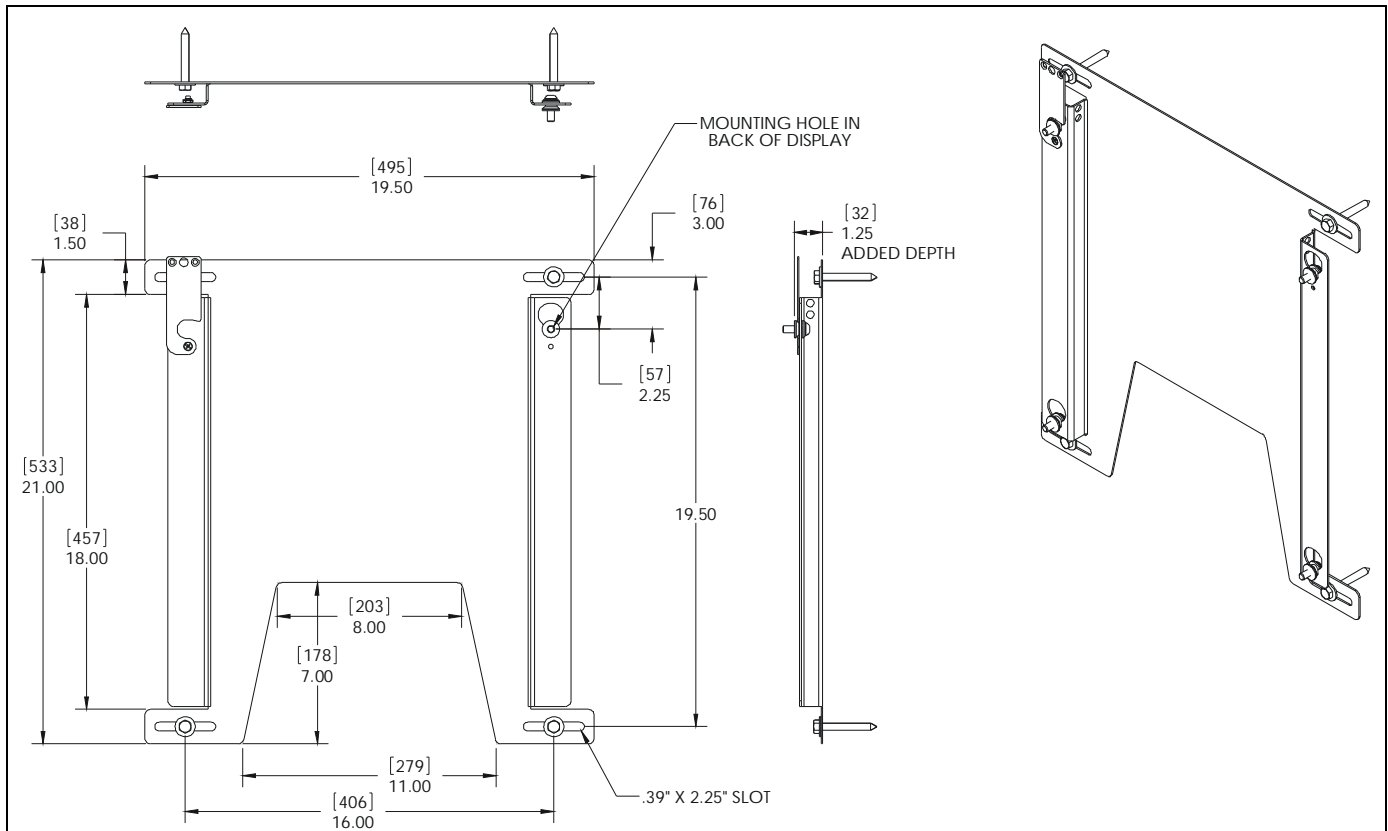
**! CAUTION:** A CAUTION alerts you to the possibility of damage or destruction of equipment if you do not follow the corresponding instructions.

**! WARNING:** Failure to read, thoroughly understand, and follow all instructions can result in serious personal injury, damage to equipment, or voiding of factory warranty! It is the installer's responsibility to make sure all components are properly assembled and installed using the instructions provided.

**! WARNING:** Failure to provide adequate structural strength for this component can result in serious personal injury or damage to equipment! It is the installer's responsibility to make sure the structure to which this component is attached can support a minimum of 2,000lbs (907.185kg). Reinforce the structure as required before installing the component. The wall to which the mount is being attached may have a maximum drywall thickness of 5/8" (1.6cm).

**! WARNING:** Exceeding the weight capacity can result in serious personal injury or damage to equipment! It is the installer's responsibility to make sure the combined weight of all components attached to the PSMH-2841 mount does not exceed 275 lbs (124.74 kg).

**DIMENSIONS**



**LEGEND**

	<b>Tighten Fastener</b>
	Apretar elemento de fijación
	Befestigungsteil festziehen
	Apertar fixador
	Serrare il fissaggio
	Bevestiging vastdraaien
Serrez les fixations	

	<b>Pencil Mark</b>
	Marcar con lápiz
	Stiftmarkierung
	Marcar com lápis
	Segno a matita
	Potloodmerkten
Marquage au crayon	

	<b>Loosen Fastener</b>
	Aflojar elemento de fijación
	Befestigungsteil lösen
	Desapertar fixador
	Allentare il fissaggio
	Bevestiging losdraaien
Desserrez les fixations	

	<b>Drill Hole</b>
	Perforar
	Bohrloch
	Fazer furo
	Praticare un foro
	Gat boren
Percez un trou	

	<b>Open-Ended Wrench</b>
	Destornillador Phillips
	Kreuzschlitzschraubendreher
	Chave de fendas Phillips
	Cacciavite a stella
	Kruiskopschroevendraaier
Tournevis à pointe cruciforme	

	<b>Hex-Head Wrench</b>
	Ajustar
	Einstellen
	Ajustar
	Regolare
	Afstellen
Ajuster	

**TOOLS FOR INSTALLATION/PARTS**

	7/32"		1/2"	M5 (included)

	A (1) [static mount]	B (1) [latching flag]	C (4) 5/16-20 x 2 1/2"	D (4) M8 x 35mm	E (4) M8x 25mm	F (1) #10-24 x 1/2"	G (4) 5/16"	H (1) .194x.375x.032	J (1) #10-24"	K (4) [mounting button]	L (1) M5

## ASSEMBLY AND INSTALLATION

### Mount Installation

1. Determine mounting location.
2. Use a stud finder to locate studs.
3. Use static mount (A) and a level to mark four mounting holes in the center of two studs. (See Figure 1)
4. Drill four 7/32" pilot holes at marked locations. (See Figure 1)
5. Use four 5/16-20 x 2 1/2" lag bolts (C) and four 5/16" washers (G) to secure static mount (A) to wall. (See Figure 1)

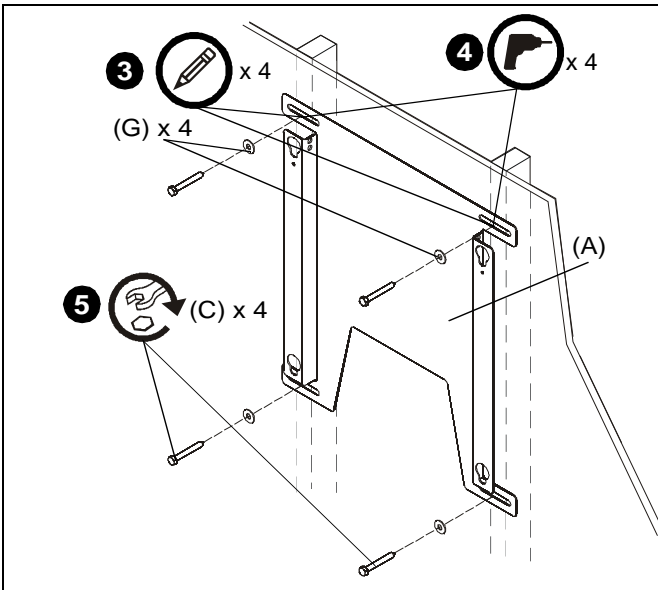


Figure 1

6. Secure latching flag (B) to mount using #10-24 x 1/2" Phillips machine screw (F), spacer (H) and #10-24 lock nut (J). (See Figure 2)

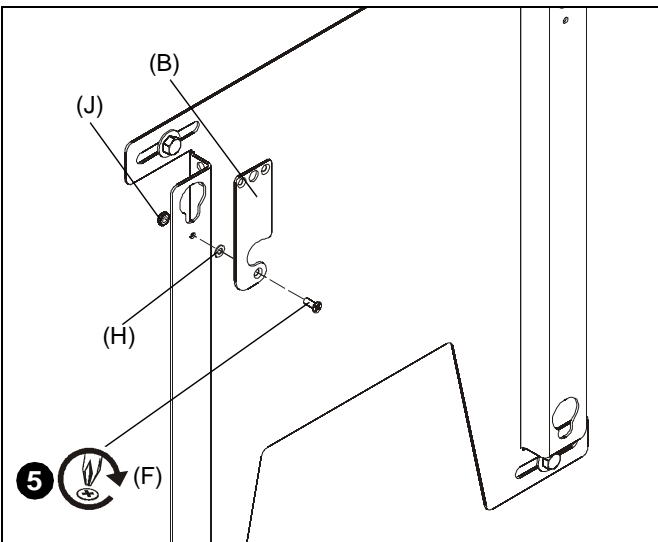


Figure 2

### Display Installation



**WARNING:** Exceeding the weight capacity can result in serious personal injury or damage to equipment! It is the installer's responsibility to make sure the combined weight of all components attached to the PSMH-2841 mount does not exceed 275 lbs (124.74 kg).

1. Determine length of screw to use to connect mounting buttons to display.
2. Attach mounting buttons (K) to back of display using four M8x25mm or M8x35mm button head cap screws (D or E). (See Figure 3)

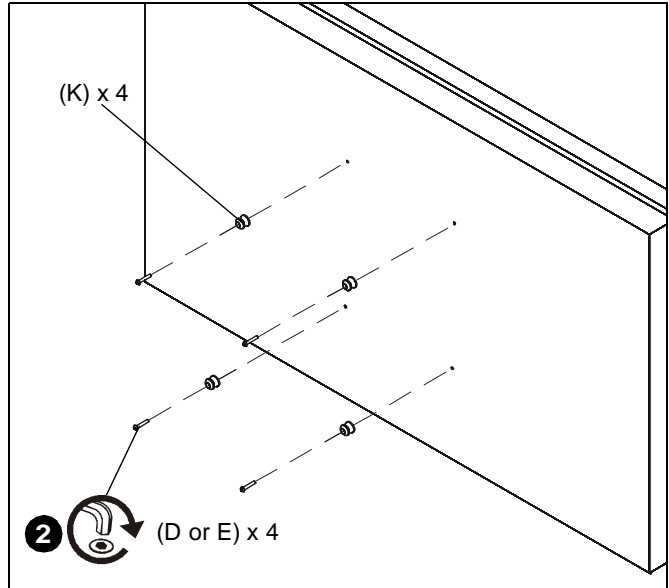


Figure 3

3. Make sure latching flag (B) is in open position. (See Figure 4)
4. Hang display on mount by placing mounting buttons (K) in four teardrop mounting holes. (See Figure 4)
5. Secure by moving flag into closed position. (See Figure 4)

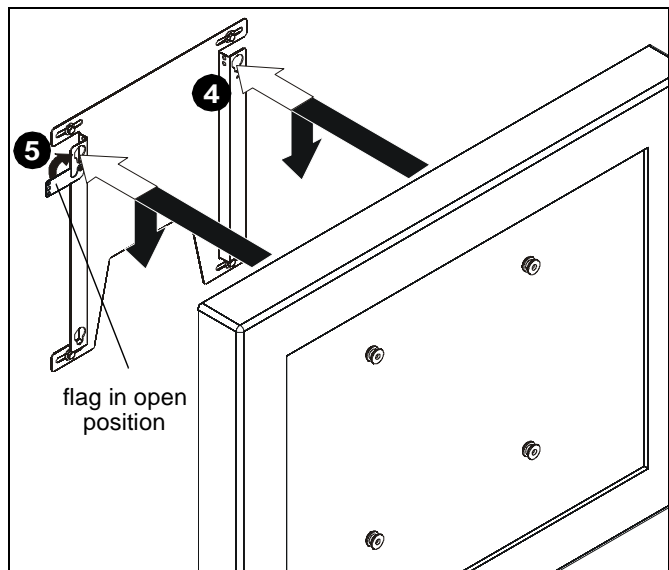


Figure 4









Our Mounts. **Your Vision.**

Chief Manufacturing, a products division  
of Milestone AV Technologies

8805-002010 Rev 00

©2010 Milestone Technologies, a  
Duchossois Group Company

[www.chiefmfg.com](http://www.chiefmfg.com)

09/10

<b>USA/International</b>	<b>A</b> 8401 Eagle Creek Parkway, Savage, MN 55378
	<b>P</b> 800.582.6480 / 952.894.6280
	<b>F</b> 877.894.6918 / 952.894.6918
<b>Europe</b>	<b>A</b> Fellenoord 130 5611 ZB EINDHOVEN, The Netherlands
	<b>P</b> +31 (0)40 2668620
	<b>F</b> +31 (0)40 2668615
<b>Asia Pacific</b>	<b>A</b> Office No. 1 on 12/F, Shatin Galleria 18-24 Shan Mei Street Fotan, Shatin, Hong Kong
	<b>P</b> 852 2145 4099
	<b>F</b> 852 2145 4477

