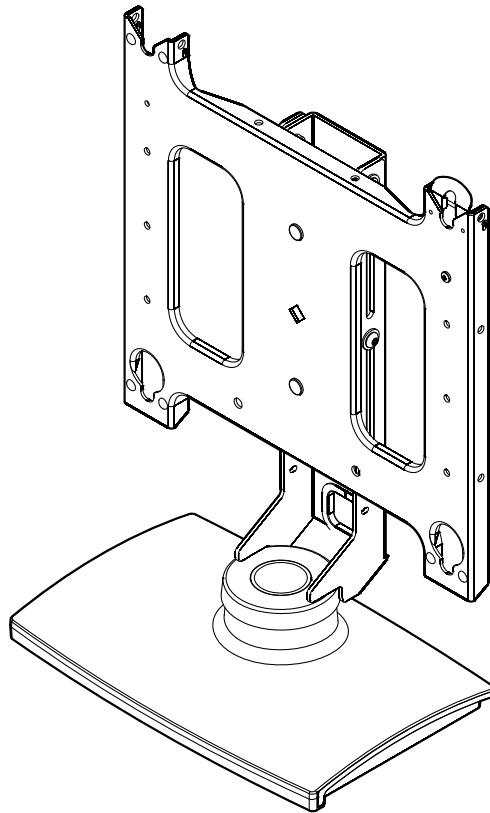


---

# INSTALLATION INSTRUCTIONS

---



---

## PLASMA SWIVEL STAND

---

**Touchboards**

205 Westwood Ave, Long Branch, NJ 07740  
Phone: 866-94 BOARDS (26273) / (732)-222-1511  
Fax: (732)-222-7088 | E-mail: [sales@touchboards.com](mailto:sales@touchboards.com)

---

**CHIEF**<sup>®</sup>  
Our Mounts. Your Vision.

**PSS2000**

---

## DISCLAIMER

Milestone AV Technologies and its affiliated corporations and subsidiaries (collectively "Milestone"), intend to make this manual accurate and complete. However, Milestone makes no claim that the information contained herein covers all details, conditions or variations, nor does it provide for every possible contingency in connection with the installation or use of this product. The information contained in this document is subject to change without notice or obligation of any kind. Milestone makes no representation of warranty, expressed or implied, regarding the information contained herein. Milestone assumes no responsibility for accuracy, completeness or sufficiency of the information contained in this document.

Chief® and ClickConnect™ are registered trademarks of Milestone AV Technologies. All rights reserved.

## IMPORTANT WARNINGS AND CAUTIONS!

**WARNING:** A WARNING alerts you to the possibility of serious injury or death if you do not follow the instructions.

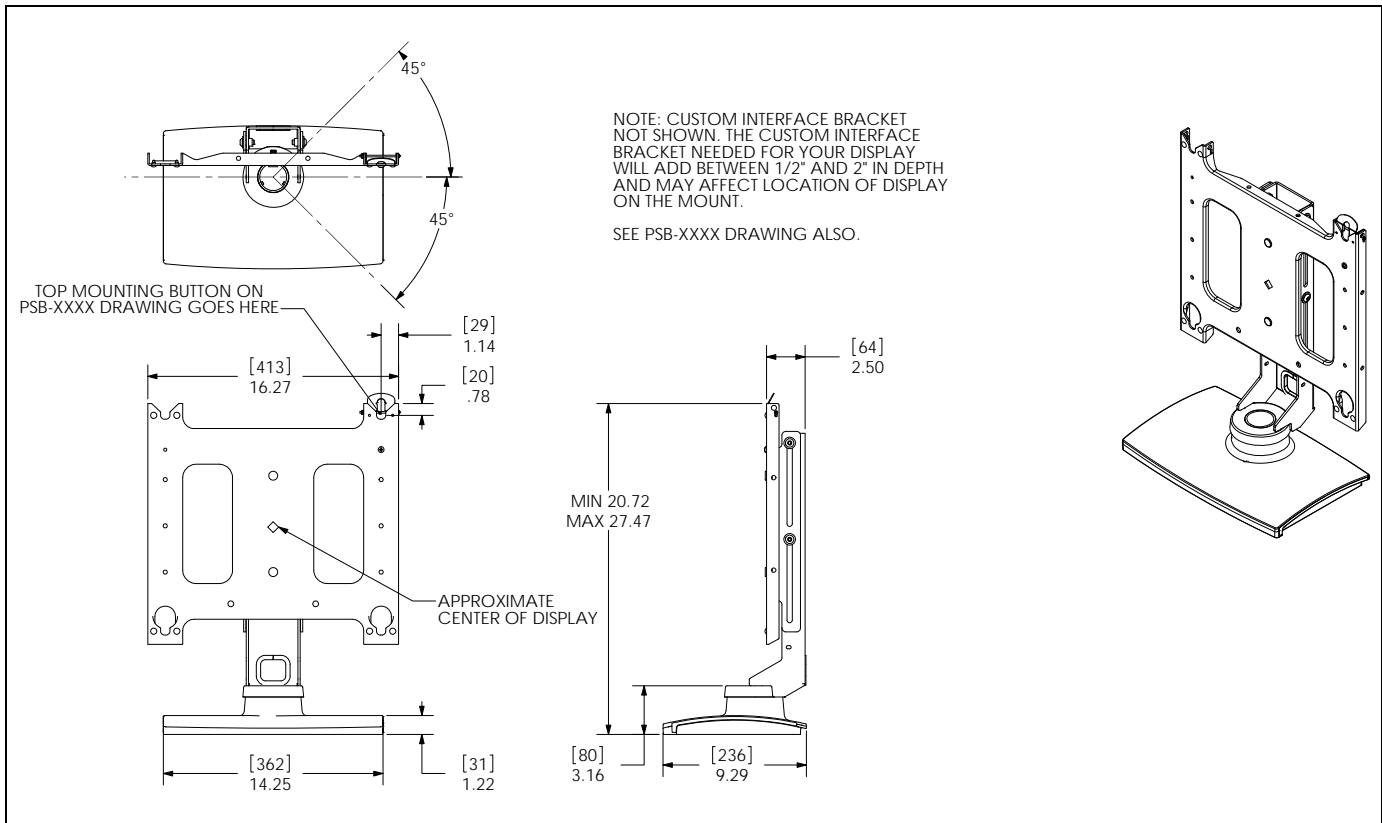
**CAUTION:** A CAUTION alerts you to the possibility of damage or destruction of equipment if you do not follow the corresponding instructions.

**WARNING:** Failure to read, thoroughly understand, and follow all instructions can result in serious personal injury, damage to equipment, or voiding of factory warranty! It is the installer's responsibility to make sure all components are properly assembled and installed using the instructions provided.

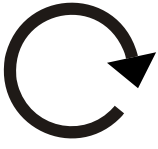

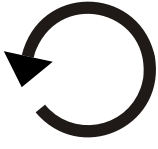


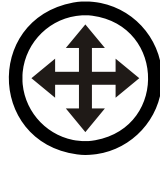
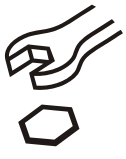





**WARNING:** Failure to provide adequate structural strength for this component can result in serious personal injury or damage to equipment! It is the installer's responsibility to make sure the structure to which this component is attached can support five times the combined weight of all equipment. Reinforce the structure as required before installing the component.

**WARNING:** Exceeding the weight capacity can result in serious personal injury or damage to equipment! It is the installer's responsibility to make sure the combined weight of all components located on the PSS2000 does not exceed 150 lbs (68.04 kg).

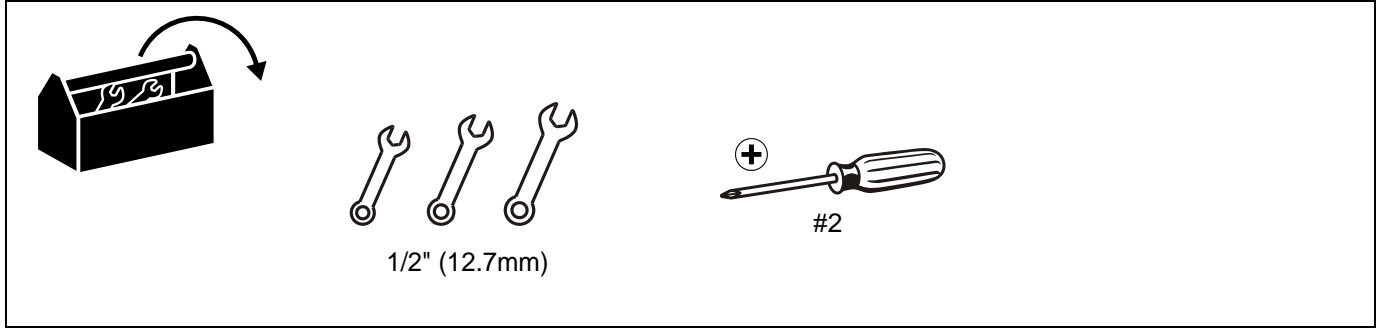
## DIMENSIONS



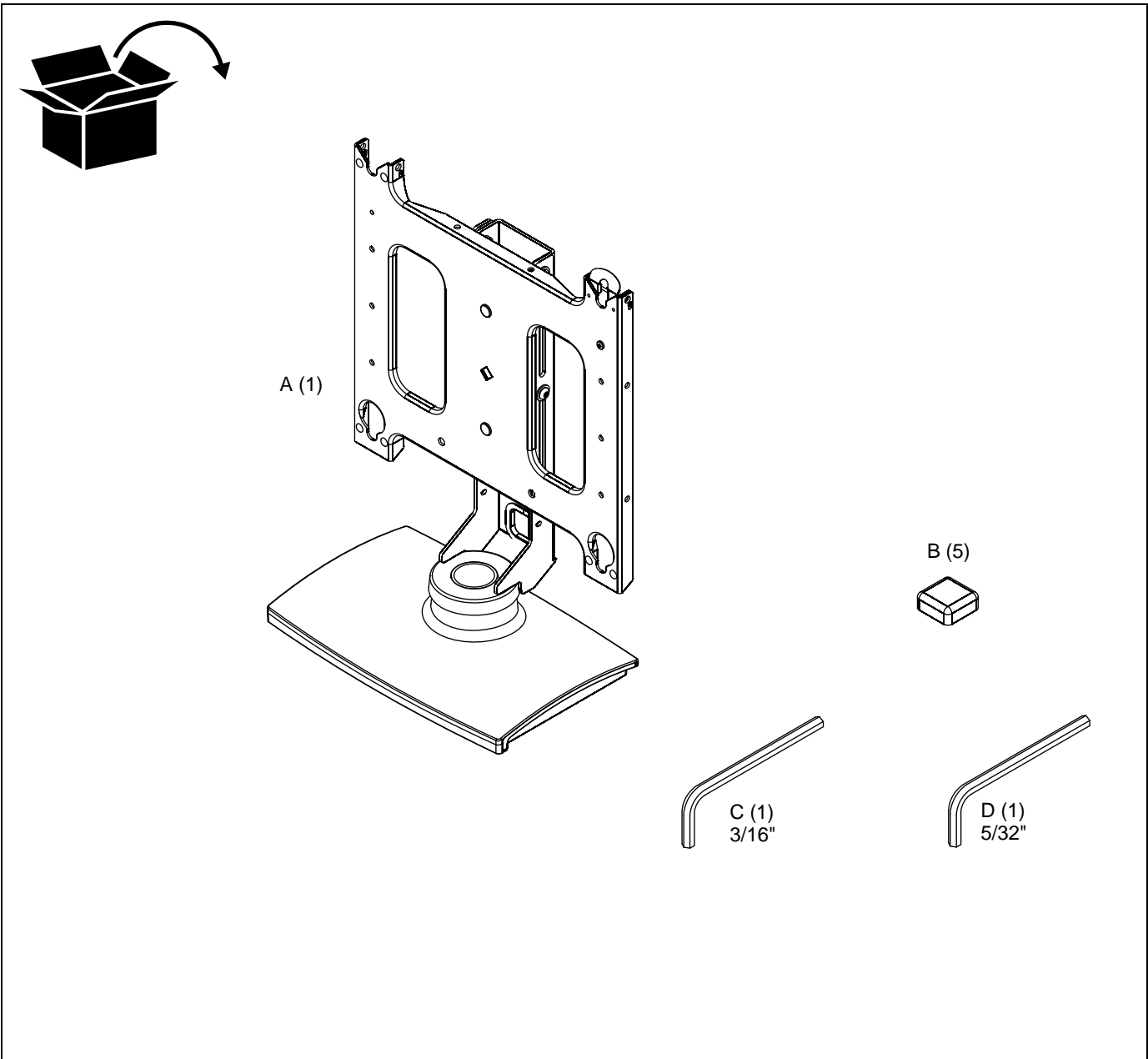
**LEGEND**

	<p><b>Tighten Fastener</b>                  Apretar elemento de fijación                  Befestigungsteil festziehen                  Apertar fixador                  Serrare il fissaggio                  Bevestiging vastdraaien                  Serrez les fixations</p>		<p><b>Pencil Mark</b>                  Marcar con lápiz                  Stiftmarkierung                  Marcar com lápis                  Segno a matita                  Potloodmerkten                  Marquage au crayon</p>
	<p><b>Loosen Fastener</b>                  Aflojar elemento de fijación                  Befestigungsteil lösen                  Desapertar fixador                  Allentare il fissaggio                  Bevestiging losdraaien                  Desserrez les fixations</p>		<p><b>Drill Hole</b>                  Perforar                  Bohrloch                  Fazer furo                  Praticare un foro                  Gat boren                  Percez un trou</p>
	<p><b>Phillips Screwdriver</b>                  Destornillador Phillips                  Kreuzschlitzschraubendreher                  Chave de fendas Phillips                  Cacciavite a stella                  Kruiskopschroevendraaier                  Tournevis à pointe cruciforme</p>		<p><b>Adjust</b>                  Ajustar                  Einstellen                  Ajustar                  Regolare                  Afstellen                  Ajuster</p>
	<p><b>Open-Ended Wrench</b>                  Llave de boca                  Gabelschlüssel                  Chave de bocas                  Chiave a punte aperte                  Steeksleutel                  Clé à fourche</p>		<p><b>Remove</b>                  Quitar                  Entfernen                  Remover                  Rimuovere                  Verwijderen                  Retirez</p>
	<p><b>By Hand</b>                  A mano                  Von Hand                  Com a mão                  A mano                  Met de hand                  À la main</p>		<p><b>Optional</b>                  Opcional                  Optional                  Opcional                  Opzionale                  Optie                  En option</p>
	<p><b>Hex-Head Wrench</b>                  Llave de cabeza hexagonal                  Sechskantschlüssel                  Chave de cabeça sextavada                  Chiave esagonale                  Zeskantsleutel                  Clé à tête hexagonale</p>		<p><b>Security Wrench</b>                  Llave de seguridad                  Sicherheitsschlüssel                  Chave de segurança                  Chiave di sicurezza                  Veiligheidsleutel                  Clé de sécurité</p>

**TOOLS REQUIRED FOR INSTALLATION**

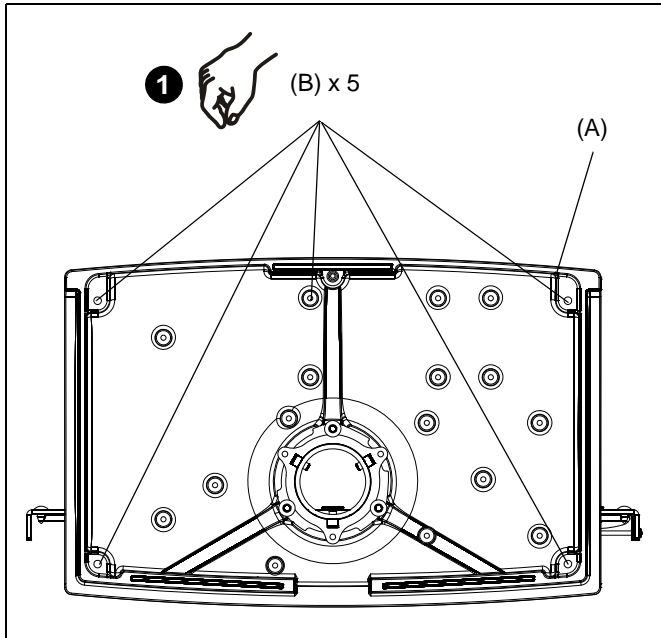


**PARTS**



**INSTALLATION**

**NOTE:** For free-standing applications only, install five rubber bumpers (B) onto bottom of stand (A). (See Figure 1)



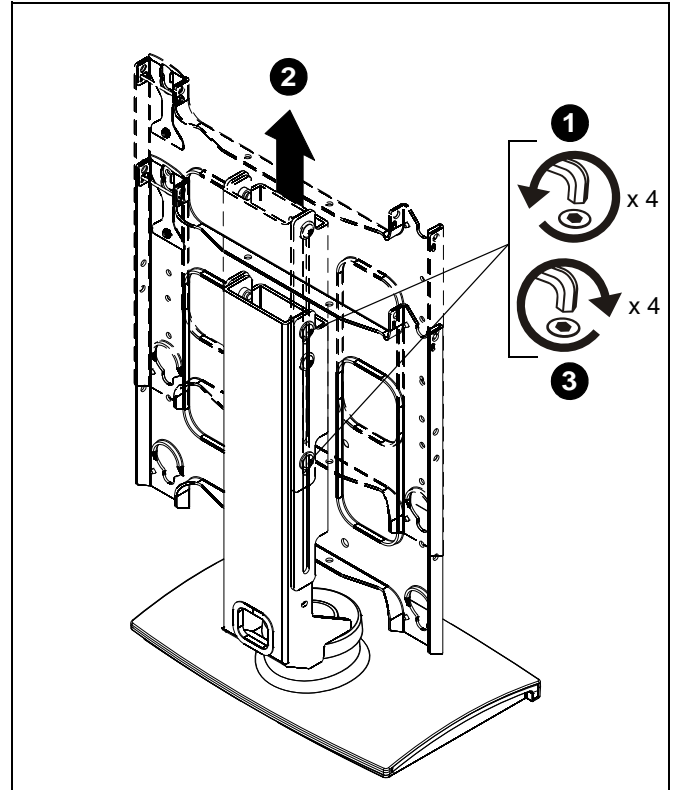
**Figure 1**

**Stand Assembly**

**NOTE:** PSS2000 ships assembled for displays 30" in height or less, and lowered to its minimum height.

**Display Height 30 Inches or Smaller**

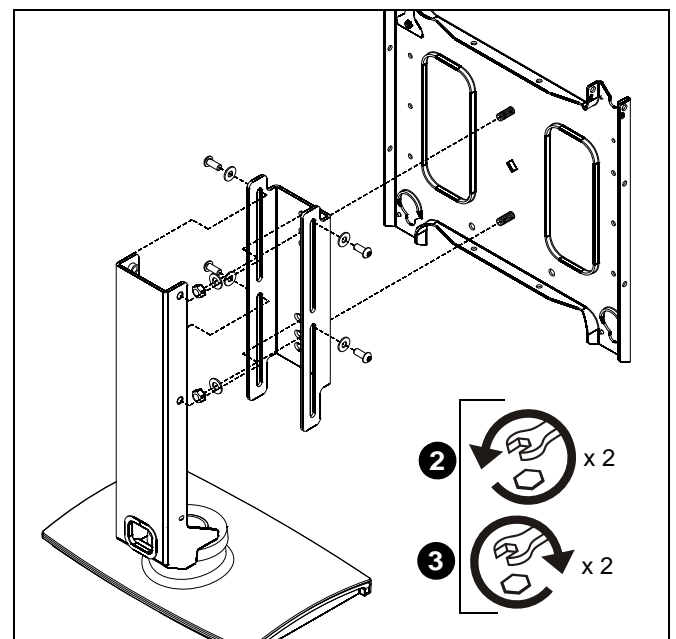
1. Loosen the four height adjustment screws and raise the slide with faceplate to its maximum height. (See Figure 2)
2. Raise slide to the maximum height.
3. Secure slide in place by tightening the four height adjustment screws. (See Figure 2)



**Figure 2**

**Display Height Greater Than 30 Inches**

1. Remove slide from base by removing four button head cap screws and four flat washers. (See Figure 3)
2. Remove faceplate from slide by removing two flat washers and two lock nuts. (See Figure 3)



**Figure 3**

3. Install faceplate into upper mounting holes of slide using two flat washers and two lock nuts removed in Step 2.
4. Install slide onto base using four button head cap screws and four flat washers removed in Step 1.

**NOTE:** Do NOT fully tighten slide mounting screws at this time.

5. Raise slide to maximum height.
6. Tighten four height adjustment screws. (See Figure 2)

**Site Preparation**



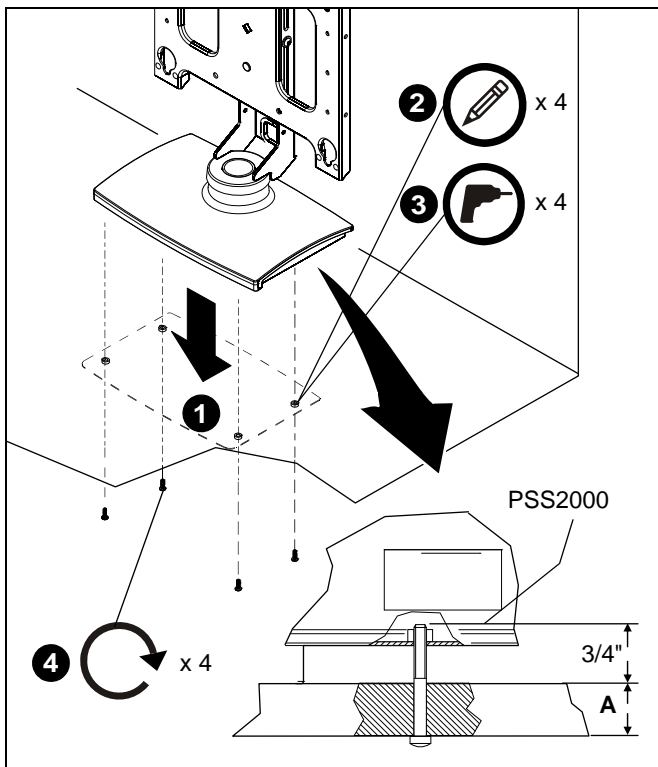
**WARNING:** EXCEEDING WEIGHT CAPACITY CAN RESULT IN SERIOUS PERSONAL INJURY OR DAMAGE TO EQUIPMENT! It is the installer's responsibility to make sure the combined weight of all components does not exceed 150 lbs (68.04 kg).



**CAUTION:** TURNING DISPLAY CAN CAUSE DAMAGE TO SURROUNDING OBJECTS. Make certain location provides enough area for the display to rotate  $\pm 45^\circ$  without being obstructed.

**NOTE:** See **Display Stop Location Adjustment** section for information on adjusting rotation.

1. Locate a flat dry surface on which to mount the PSS2000 assembly.
2. Measure the hole locations on bottom of PSS2000 and mark the four mounting hole locations on mounting surface. (See Figure 4)



**Figure 4**

3. Drill four 1/4" diameter holes through mounting surface at marks.
4. Secure mount to mounting surface using four 1/4-20 cap screws with a length equal to the thickness of the mounting surface **A** plus 3/4". (See Figure 4)

**Display Installation**

The following procedure assumes that the proper interface bracket for the display being mounted has already been installed on the display.

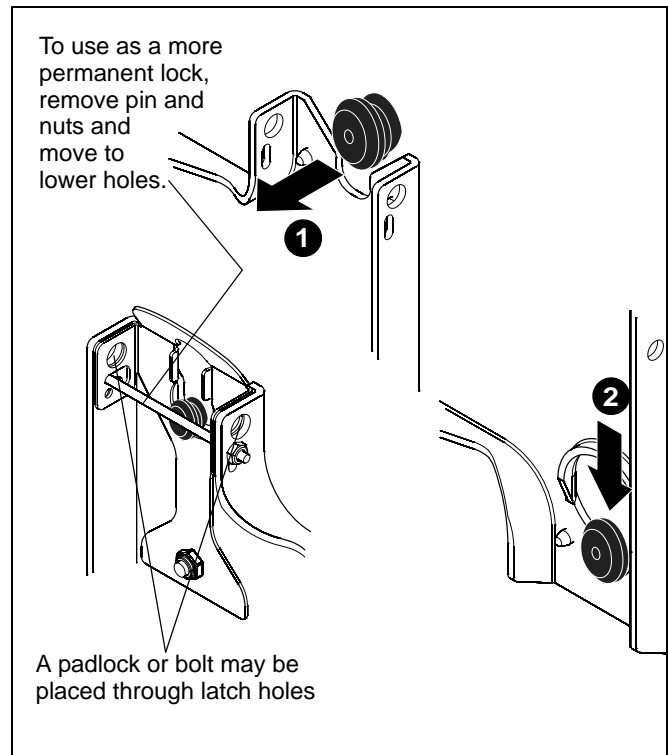
If no interface bracket is present on display, install bracket to display using the instructions included with the interface bracket before proceeding.

If an interface bracket for the display being mounted needs to be obtained, or additional assistance is required, contact Chief.

To install the display:

1. While supporting both sides of display, align four mounting buttons on display or interface bracket with four mounting holes in faceplate.
2. Lower display into place listening for audible "click" to ensure recessed area of mounting buttons are properly seated in lower area of mounting holes and ClickConnect mechanism has engaged. (See Figure 1)

**NOTE:** Holes are provided in the faceplate for use with a padlock or similar locking device, if desired. In addition, the pin and nut may be removed from the upper holes and moved to the lower holes for use as a more permanent locking device.



**Figure 5**

## Stand Adjustment

### Adjusting Display Height



**CAUTION:** DO NOT ALLOW DISPLAY TO DROP TO BOTTOM OF STAND. Displays are fragile and may be damaged.

1. Hold display in place and loosen the four height adjustment screws. (See Figure 2)
2. Position display to the desired height.
3. Tighten the four height adjustment screws. (See Figure 2)

### Adjusting Stand Tension

1. Check swivel tension while display is attached to the stand.
2. If tension adjustment is necessary, slightly tighten or loosen adjustment screws on bottom of PSS2000. (See Figure 6)

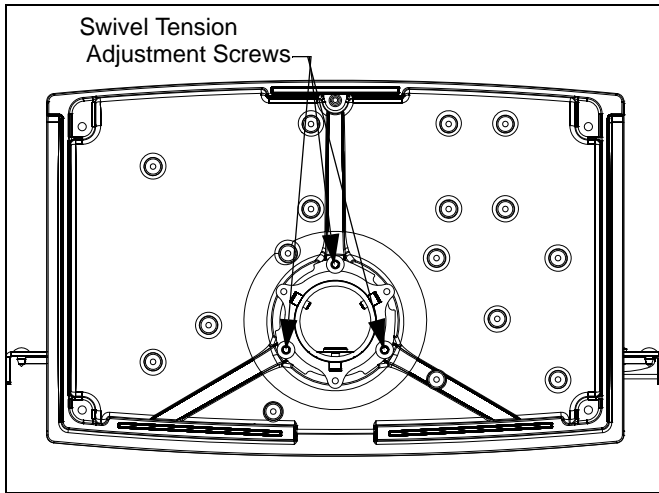


Figure 6

### Adjusting Swivel Stops

1. Decide the amount of desired stand swivel (15°, 25° or 35°).
2. Insert a 10-24 x 1/2" screw (not provided) in one of the three swivel stop holes in the stand base. (See Figure 7)

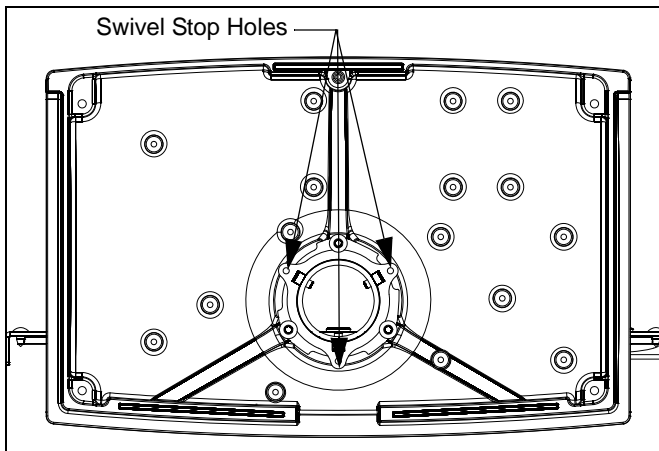


Figure 7

### Adjusting Display Roll

1. Loosen upper and lower roll adjustment nuts. (See Figure 8)
2. Level display.
3. Tighten roll adjustment nuts.

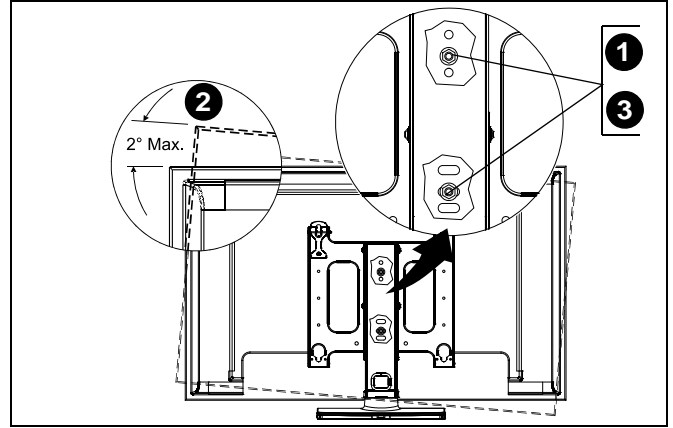


Figure 8

### Cable Routing and Management



**WARNING:** ELECTRICAL SHOCK HAZARD! Improper routing can lead to wires or cables being damaged. Make certain display power cable is not routed through areas where it can be pinched or cut.

1. Route display cables and wiring through cable management hole in base. (See Figure 9)

**NOTE:** Cables may also be routed through a hole in the mounting surface.

2. Connect wires and cables to display.

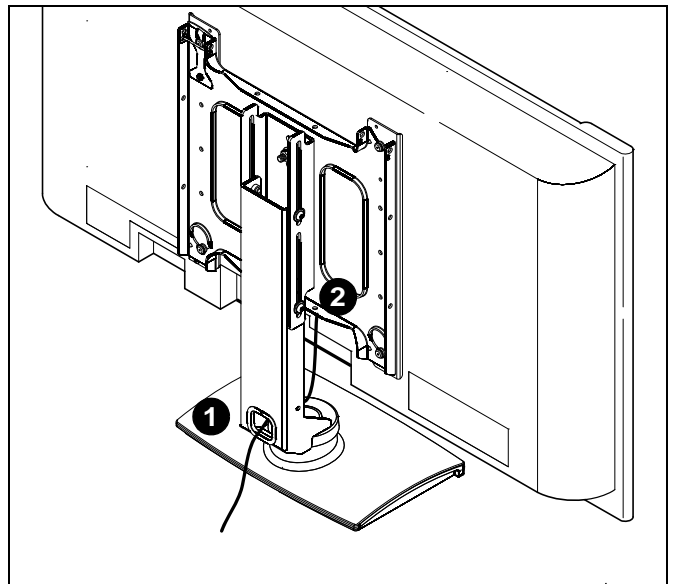


Figure 9



Our Mounts. **Your Vision.**

Chief Manufacturing, a division of  
Milestone AV Technologies

8800-000070  
©2008 Milestone AV Technologies  
[www.chiefmfg.com](http://www.chiefmfg.com)  
10/08

**USA/International** A 8401 Eagle Creek Parkway, Savage, MN 55378  
P 800.582.6480 / 952.894.6280  
F 877.894.6918 / 952.894.6918

**Europe** A Fellenoord 130 5611 ZB EINDHOVEN, The Netherlands  
P +31 (0)40 2668620  
F +31 (0)40 2668615

**Asia Pacific** A Room 24F, Block D, Lily YinDu International Building  
LuoGang, BuJi Town, Shenzhen, CHINA.  
深圳市布吉罗岗村百合银都国际大厦D栋24F  
P +86-755-8996 9226  
F +86-755-8996 9217

