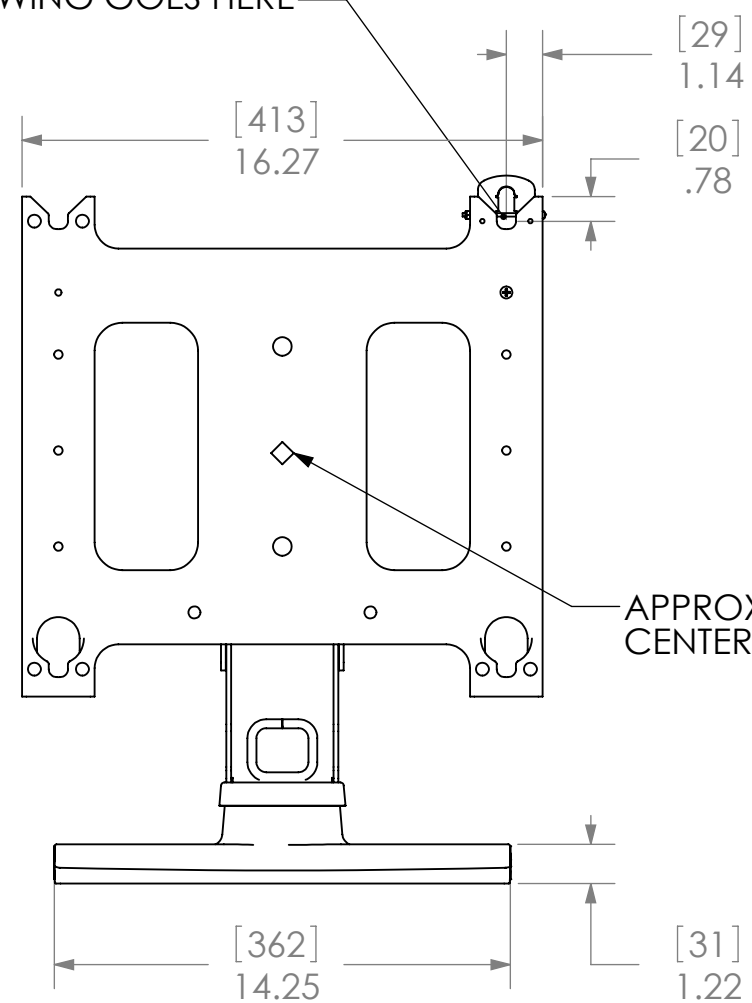


NOTE: CUSTOM INTERAFCE BRACKET NOT SHOWN. THE CUSTOM INTERFACE BRACKET NEEDED FOR YOUR DISPLAY WILL ADD BETWEEN 1/2" AND 2" IN DEPTH AND MAY AFFECT LOCATION OF DISPLAY ON THE MOUNT.

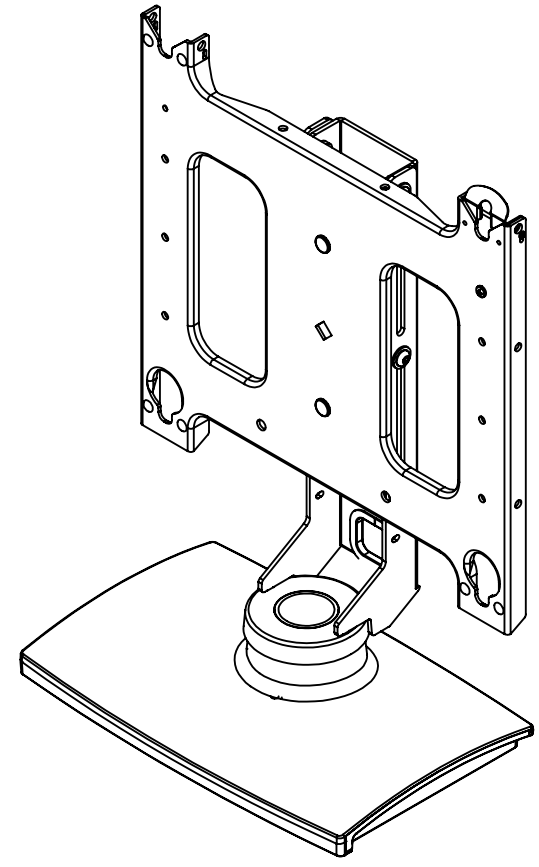
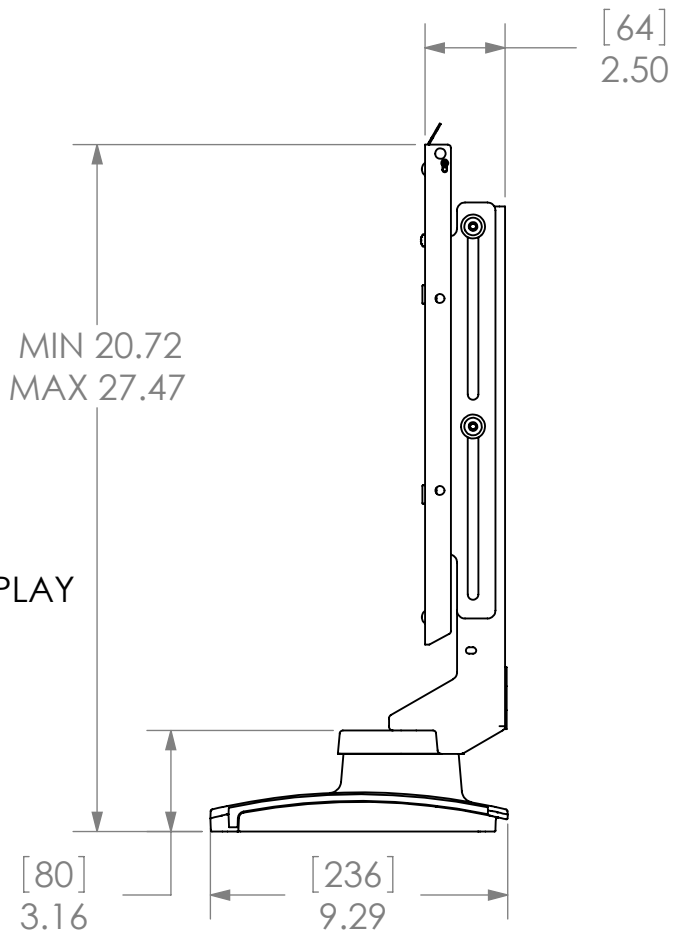
SEE PSB-XXXX DRAWING ALSO.

TOP MOUNTING BUTTON ON PSB-XXXX DRAWING GOES HERE



APPROXIMATE CENTER OF DISPLAY

MIN 20.72  
MAX 27.47



**CHIEF MANUFACTURING INC.**  
MOUNT ORDER NUMBER IS PSS-2000  
PHONE: 1-800-582-6480

SHEET SCALE = 1:6

THE INFORMATION AND DESIGNS CONTAINED IN THIS DRAWING ARE CONFIDENTIAL AND THE PROPRIETARY PROPERTY OF CHIEF MFG., INC. NEITHER THIS DESIGN NOR ANY INFORMATION CONTAINED IN THIS DRAWING MAY BE REPRODUCED OR DISCLOSED TO OTHERS WITHOUT THE EXPRESS WRITTEN CONSENT OF CHIEF MFG., INC.

<b>CHIEF</b> MANUFACTURING, INC. <small>8401 EAGLE CREEK PKWY STE. 700, SAVAGE, MN 55378 1.800.582.6480 * FAX 1.877.894.6918</small>	
TITLE <b>CUSTOMER PRINT PSS-2000</b>	
SIZE <b>B</b>	DWG. NO. <b>PSS-2000</b>