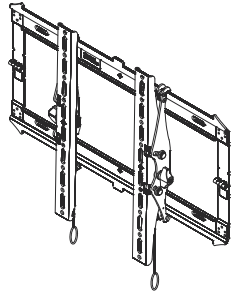


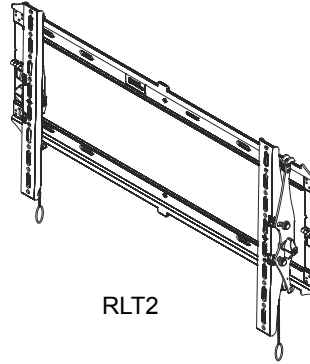
---

# INSTALLATION INSTRUCTIONS

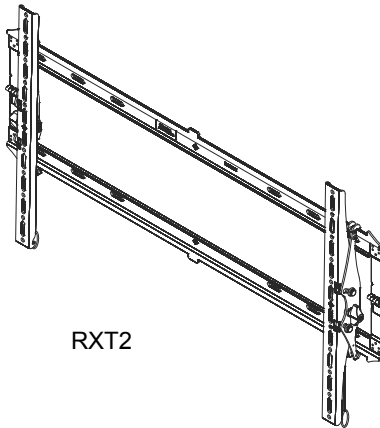
---



RMT2



RLT2



RXT2

---

## Universal Tilt Mounts

---

## DISCLAIMER

Milestone AV Technologies and its affiliated corporations and subsidiaries (collectively "Milestone"), intend to make this manual accurate and complete. However, Milestone makes no claim that the information contained herein covers all details, conditions or variations, nor does it provide for every possible contingency in connection with the installation or use of this product. The information contained in this document is subject to change without notice or obligation of any kind. Milestone makes no representation of warranty, expressed or implied, regarding the information contained herein. Milestone assumes no responsibility for accuracy, completeness or sufficiency of the information contained in this document.

Chief® is a registered trademark of Milestone AV Technologies. All rights reserved.



## IMPORTANT SAFETY INSTRUCTIONS!



**WARNING:** A WARNING alerts you to the possibility of serious injury or death if you do not follow the instructions.



**CAUTION:** A CAUTION alerts you to the possibility of damage or destruction of equipment if you do not follow the corresponding instructions.



**WARNING:** Failure to read, thoroughly understand, and follow all instructions can result in serious personal injury, damage to equipment, or voiding of factory warranty! It is the installer's responsibility to make sure all components are properly assembled and installed using the instructions provided.



**WARNING:** Failure to provide adequate structural strength for this component can result in serious personal injury or damage to equipment! It is the installer's responsibility to make sure the structure to which this component is attached can support five times the combined weight of all equipment. Reinforce the structure as required before installing the component. The wall to which the mount is being attached may have a maximum drywall thickness of 5/8" (1.6cm). Do not install drywall anchors into the seam between drywall pieces.



**WARNING:** Exceeding the weight capacity can result in serious personal injury or damage to equipment! It is the installer's responsibility to make sure the combined weight of all components attached does not exceed 125 lbs (56.7 kg) for the RMT2 and RLT2 or 175 lbs (79.4 kg) for the RXT2. Use with products heavier than the maximum weight indicated may result in collapse of the mount and its accessories causing possible injury.



**WARNING:** Use this mounting system only for its intended use as described in these instructions. Do not use attachments not recommended by the manufacturer.



**WARNING:** Never operate this mounting system if it is damaged. Return the mounting system to a service center for examination and repair.

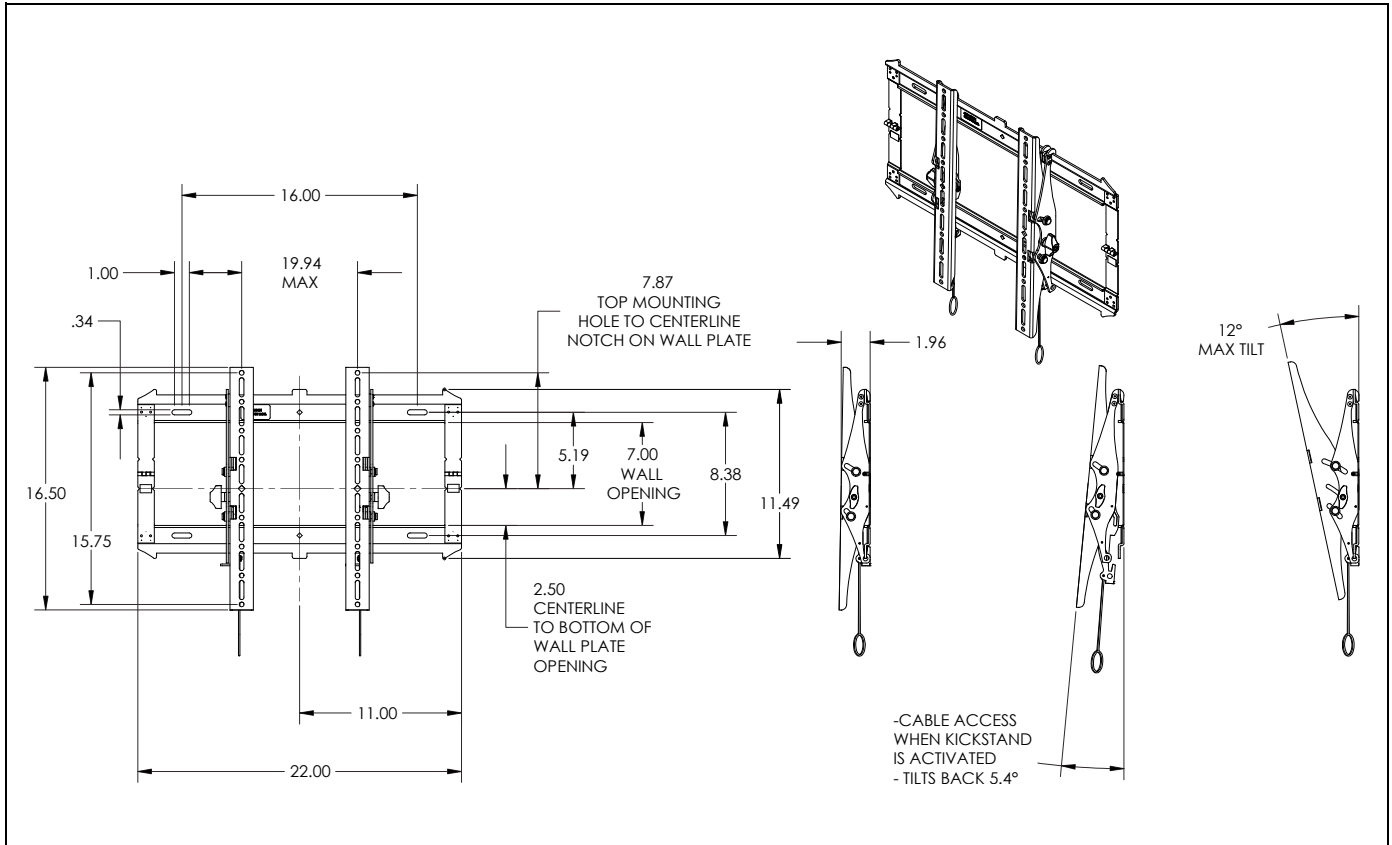


**WARNING:** Do not use this product outdoors.

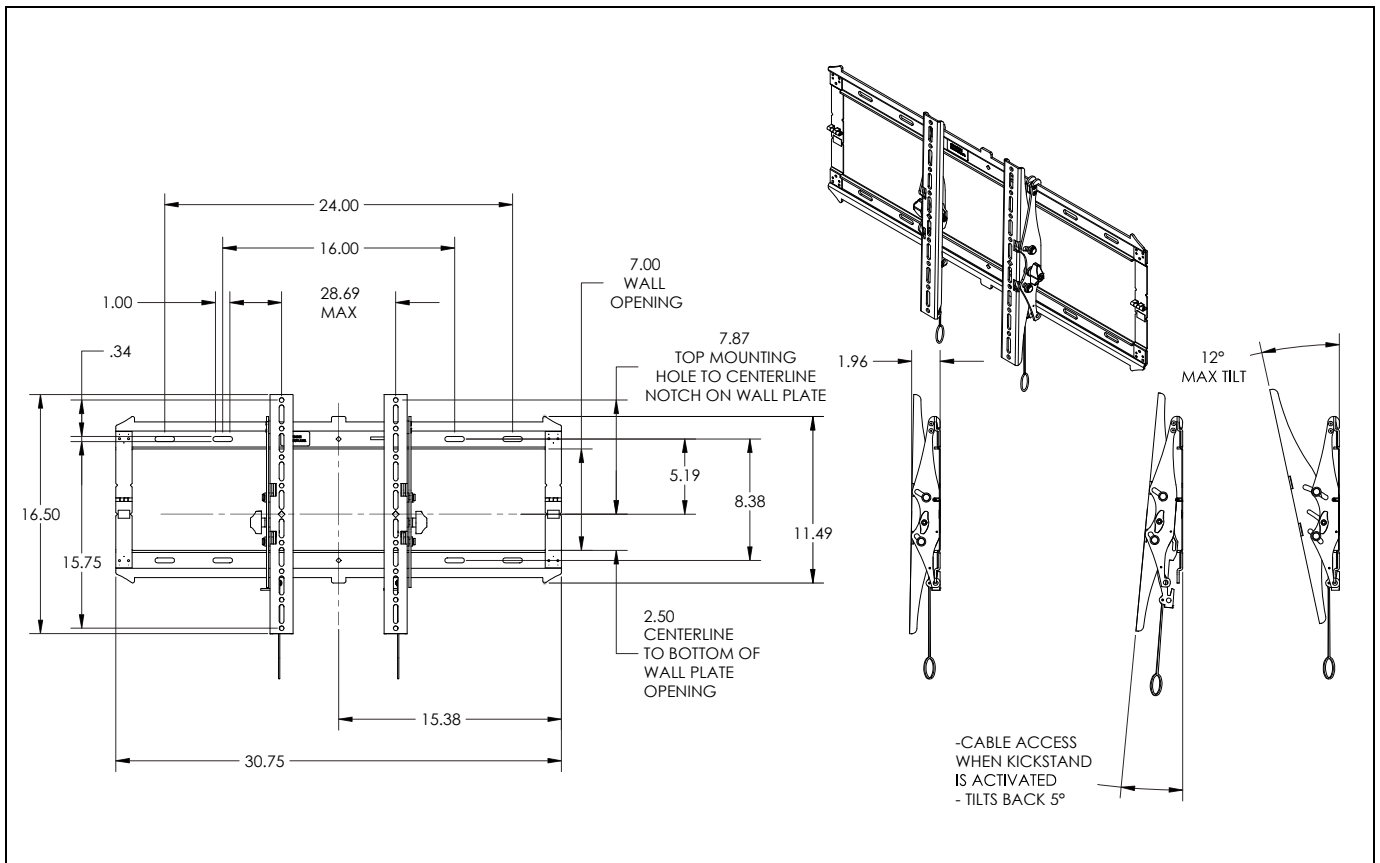
**IMPORTANT ! :** The RMT2/RLT2/RXT2 mounts are designed to be mounted to an 8" concrete, 8"x8"x16" concrete block, or 2" x 4" wood studs.

**--SAVE THESE INSTRUCTIONS--**

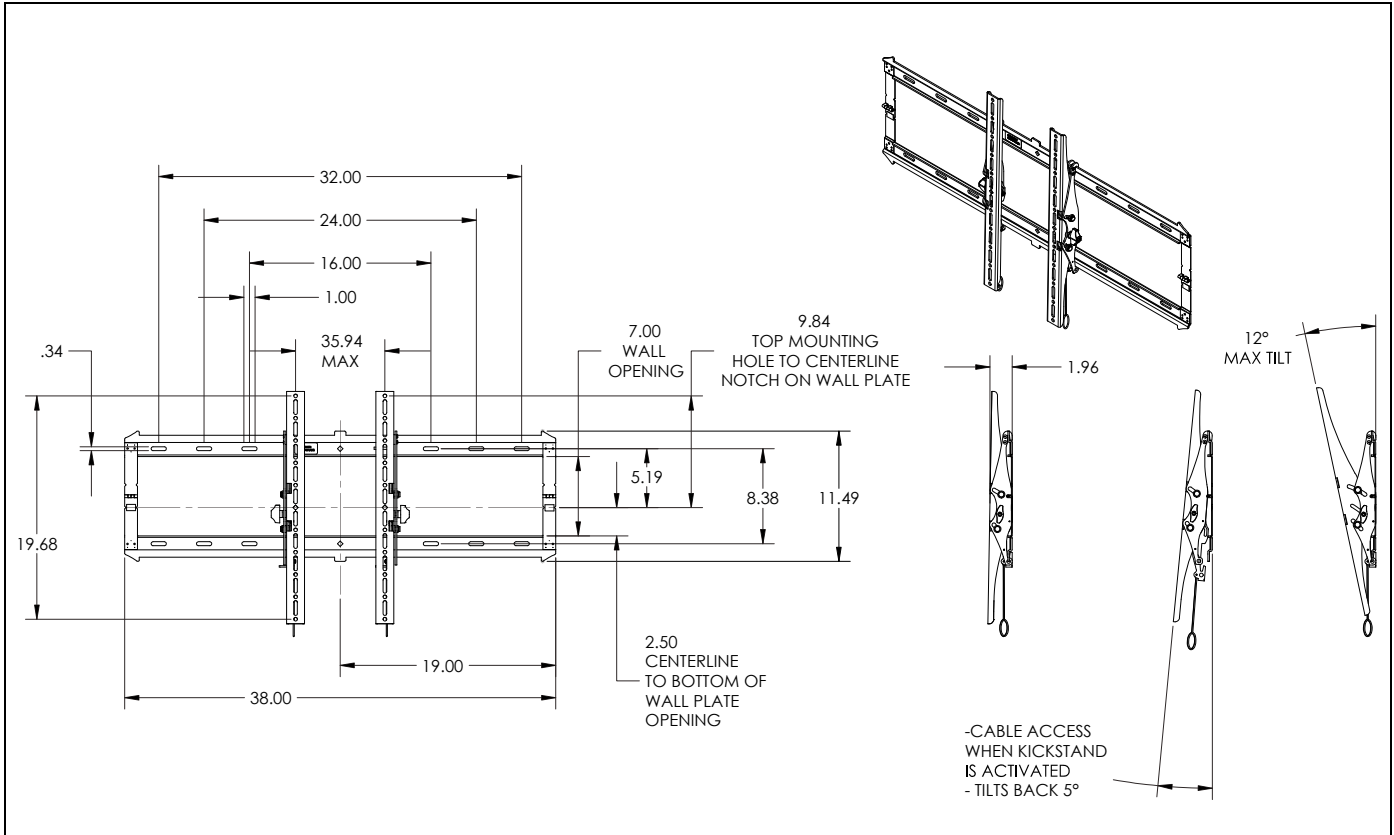
**DIMENSIONS-RMT2**



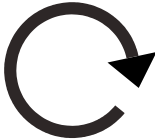

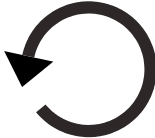









**DIMENSIONS-RLT2**



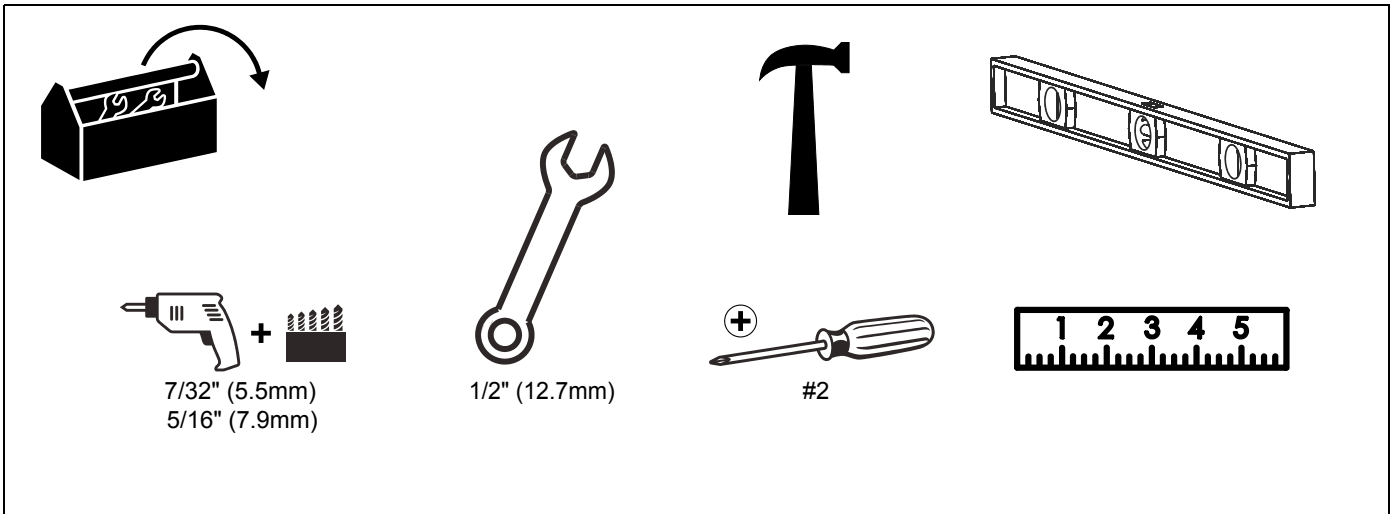
**DIMENSIONS-RXT2**



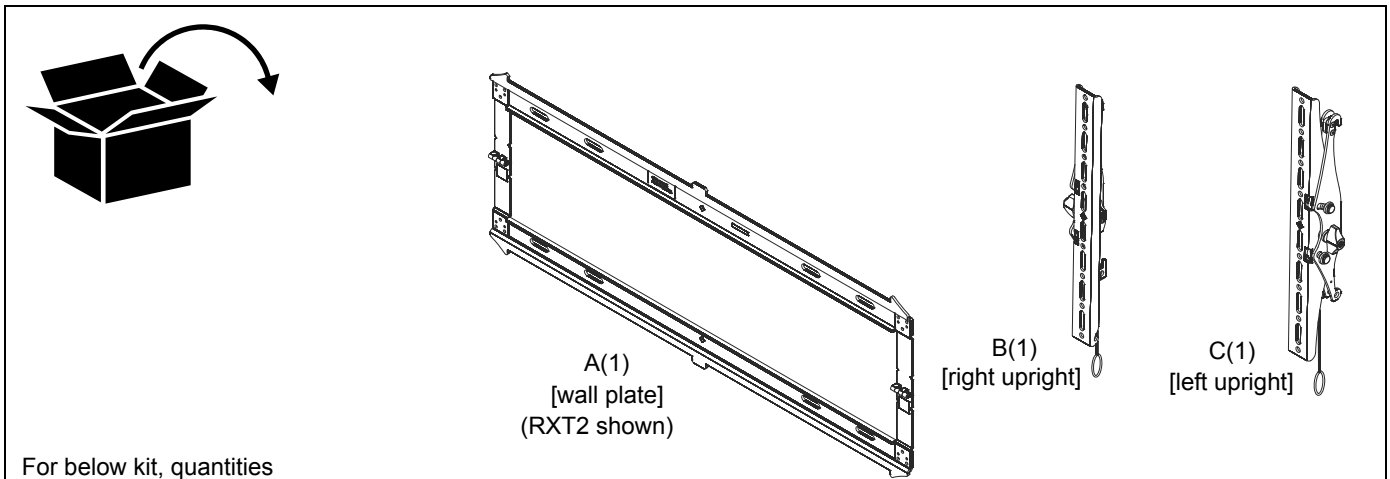
**LEGEND**

	<p><b>Tighten Fastener</b></p> <p>Apretar elemento de fijación</p> <p>Befestigungsteil festziehen</p> <p>Apertar fixador</p> <p>Serrare il fissaggio</p> <p>Bevestiging vastdraaien</p> <p>Serrez les fixations</p>		<p><b>Pencil Mark</b></p> <p>Marcar con lápiz</p> <p>Stiftmarkierung</p> <p>Marcar com lápis</p> <p>Segno a matita</p> <p>Potloodmerkteken</p> <p>Marquage au crayon</p>
	<p><b>Loosen Fastener</b></p> <p>Afajar elemento de fijación</p> <p>Befestigungsteil lösen</p> <p>Desapertar fixador</p> <p>Allentare il fissaggio</p> <p>Bevestiging losdraaien</p> <p>Desserrez les fixations</p>		<p><b>Drill Hole</b></p> <p>Perforar</p> <p>Bohrloch</p> <p>Fazer furo</p> <p>Praticare un foro</p> <p>Gat boren</p> <p>Percez un trou</p>
	<p><b>Phillips Screwdriver</b></p> <p>Destornillador Phillips</p> <p>Kreuzschlitzschraubendreher</p> <p>Chave de fendas Phillips</p> <p>Cacciavite a stella</p> <p>Kruiskopschroevendraaier</p> <p>Tournevis à pointe cruciforme</p>		<p><b>Adjust</b></p> <p>Ajustar</p> <p>Einstellen</p> <p>Ajustar</p> <p>Regolare</p> <p>Afstellen</p> <p>Ajuster</p>
	<p><b>Open-Ended Wrench</b></p> <p>Llave de boca</p> <p>Gabelschlüssel</p> <p>Chave de bocas</p> <p>Chiave a punte aperte</p> <p>Steeksleutel</p> <p>Clé à fourche</p>		<p><b>Remove</b></p> <p>Quitar</p> <p>Entfernen</p> <p>Remover</p> <p>Rimuovere</p> <p>Verwijderen</p> <p>Retirez</p>
	<p><b>By Hand</b></p> <p>A mano</p> <p>Von Hand</p> <p>Com a mão</p> <p>A mano</p> <p>Met de hand</p> <p>À la main</p>		<p><b>Optional</b></p> <p>Opcional</p> <p>Optional</p> <p>Opcional</p> <p>Opzionale</p> <p>Optie</p> <p>En option</p>
	<p><b>Hex-Head Wrench</b></p> <p>Llave de cabeza hexagonal</p> <p>Sechskantschlüssel</p> <p>Chave de cabeça sextavada</p> <p>Chiave esagonale</p> <p>Zeskantsleutel</p> <p>Clé à tête hexagonale</p>		<p><b>Security Wrench</b></p> <p>Llave de seguridad</p> <p>Sicherheitsschlüssel</p> <p>Chave de segurança</p> <p>Chiave di sicurezza</p> <p>Veiligheidssleutel</p> <p>Clé de sécurité</p>

**TOOLS REQUIRED FOR INSTALLATION**



**PARTS**



For below kit, quantities are 4 for RMT2 and RLT2, 6 for RXT2.

 D(4 or 6) 5/16 x 2 1/2"	G(1) Hardware Bag								
	 GA(8) M4 x 16mm	 GE(6) M5 x16mm	 GI(6) M6 x16mm	 GL(6) M8 x 20mm	 GP(8) 1/4"(6.4mm)				
	 GB(6) M4 x 20mm	 GF(6) M5 x20mm	 GJ(6) M6 x 25mm	 GM(6) M8 x 30mm	 GQ(8) 1/2"(12.7mm)				
	 GC(6) M4 x 25mm	 GG(6) M5 x25mm	 GK(6) M6 x 35mm	 GN(6) M8 x 40mm	 GS(8) [universal washer]				
 F(4 or 6) [concrete anchor]	 GD(6) M4 x 35mm	 GH(6) M5 x 35mm	 GO(6) M8 x 50mm						

## Assembly And Installation

### Install Wall Plate to Wall - Wood Studs



**WARNING:** Failure to provide adequate structural strength for this component can result in serious personal injury or damage to equipment! It is the installer's responsibility to make sure the structure to which this component is attached can support five times the combined weight of all equipment. Reinforce the structure as required before installing the component. The wall to which the mount is being attached may have a maximum drywall thickness of 5/8" (1.6cm). Do not install drywall anchors into the seam between drywall pieces.

1. Unfold wall plate (A) to prepare it for mounting to wall. (See Figure 1)

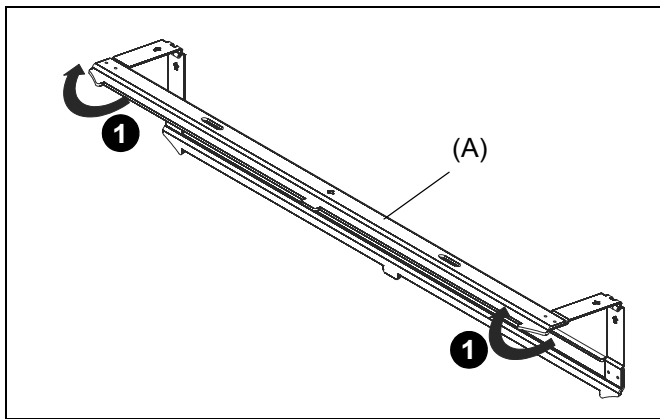


Figure 1

2. Level wall plate (A) and mark locations of pilot holes. (See Figure 2)

**NOTE:** The RMT2 must be installed on two 16" studs. The RLT2 can be installed on 16" studs (inner holes) or 24" studs (outer holes). For the RXT2, it can be mounted over two or three 16" studs or two 24" studs. If mounting to three 16" studs, it must be mounted to all three studs using the outer holes and center holes. (See Figure 3) All studs must be 2"x4".

**NOTE:** The vertical center of the wall plate is labeled as the center directly below each hinge. Keep this in mind when determining mounting location. (See Figure 3)

3. Drill 7/32" (5.5mm) diameter pilot holes into wood studs at marked locations. (See Figure 2)

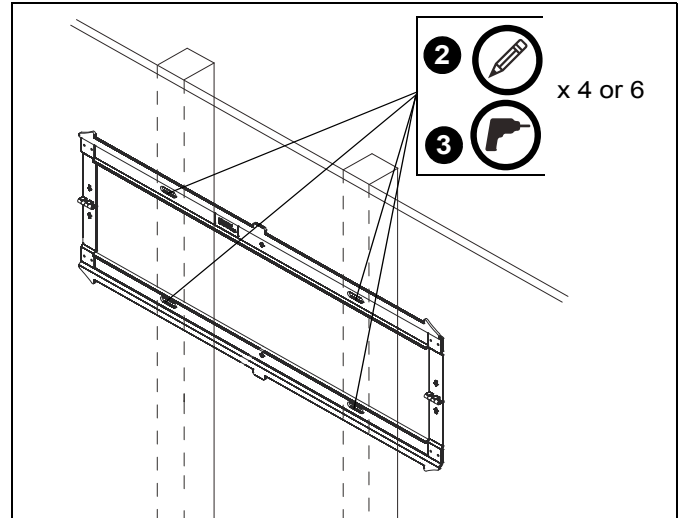


Figure 2

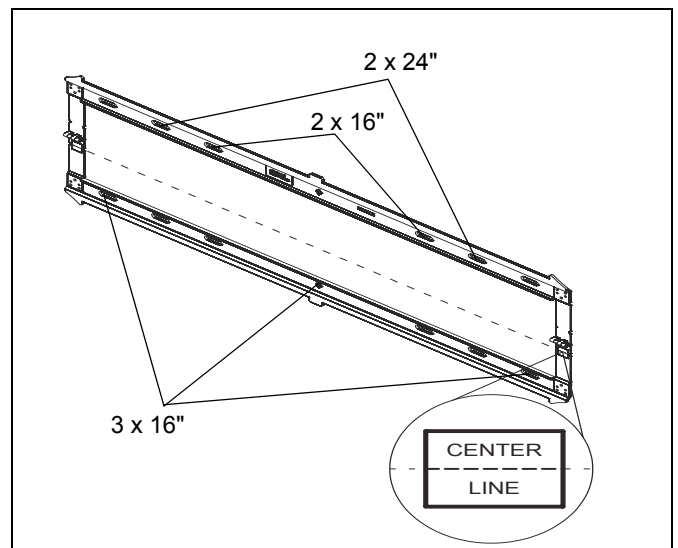


Figure 3

4. Install 5/16 x 2 1/2" hex head cap screws (D) through four flat washers (E), wall plate (A) and into wood studs. (See Figure 4)

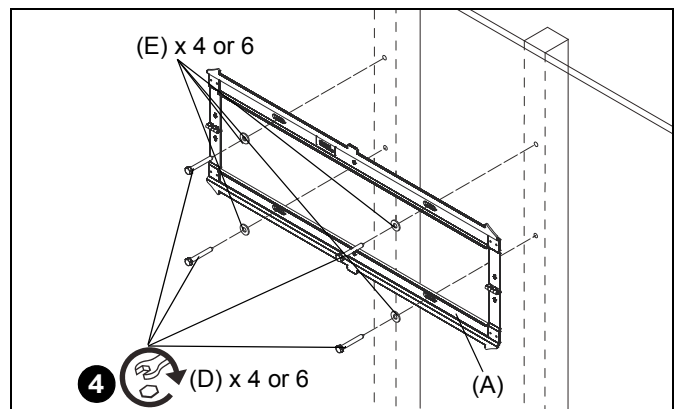


Figure 4

### Install Wall Plate to Wall - Concrete or Concrete Block

**WARNING:** Failure to provide adequate structural strength for this component can result in serious personal injury or damage to equipment! It is the installer's responsibility to make sure the structure to which this component is attached can support five times the combined weight of all equipment. Reinforce the structure as required before installing the component. The wall to which the mount is being attached may have a maximum drywall thickness of 5/8" (1.6cm).

**WARNING:** ELECTRICAL SHOCK HAZARD! CUTTING OR DRILLING INTO ELECTRICAL CORDS OR CABLES CAN CAUSE DEATH OR SERIOUS PERSONAL INJURY! ALWAYS make certain area behind mounting surface is free of electrical wires and cables before drilling or installing fasteners.

**WARNING:** EXPLOSION AND FIRE HAZARD! CUTTING OR DRILLING INTO GAS PLUMBING CAN CAUSE DEATH OR SERIOUS PERSONAL INJURY! ALWAYS make certain area behind mounting surface is free of gas, water, waste, or any other plumbing before cutting, drilling, or installing fasteners.

1. Unfold wall plate (A) to prepare it for mounting to wall. (See Figure 1)
2. Level wall plate (A) and mark locations of pilot holes at desired mounting location. (See Figure 5)

**IMPORTANT ! :** The RMT2-RLT2-RXT2 mounts are designed to be mounted to an 8" concrete or 8"x8"x16" concrete block wall.

**NOTE:** For the RLT2, either the inner or outer four holes may be used.

**NOTE:** For the RXT2, use the outer four holes and the two middle holes on wall plate for installation.

**NOTE:** The vertical center of the display will be even with the center line indicated on the labels located directly below each hinge. Keep this in mind when determining mounting location. (See Figure 5)

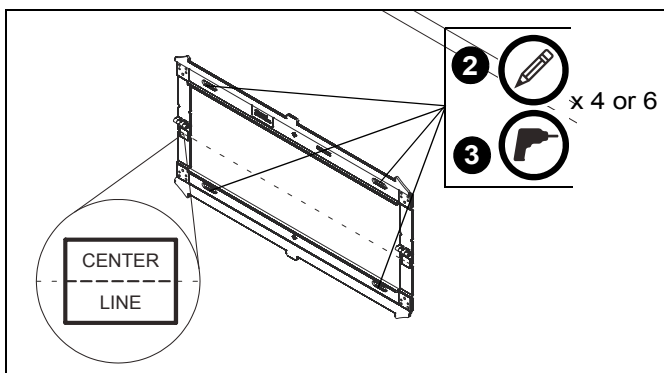


Figure 5

3. Drill 5/16" (8mm) diameter pilot holes into wall at marked locations. Holes must be drilled at least 3 1/4 inches deep. (See Figure 5)
4. Install four or six concrete anchors (F) into drilled holes. Use a hammer to tap anchors into holes. (See Figures 6 and 7)

**IMPORTANT ! :** The anchors must be installed through any wall covering until flush with the concrete wall. (See Figure 6)

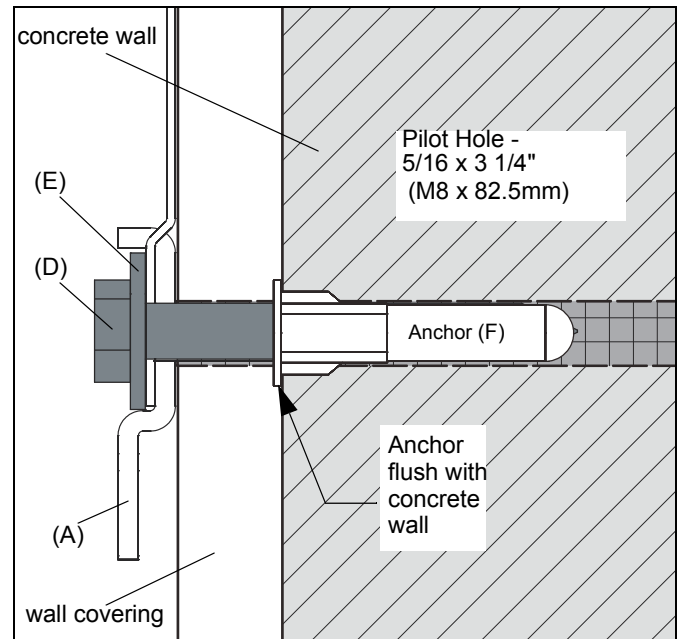


Figure 6

5. Using 1/2" (12.7mm) wrench, install screws (D) through flat washers (E), wall plate (A) and into concrete anchors (F). (See Figure 7)

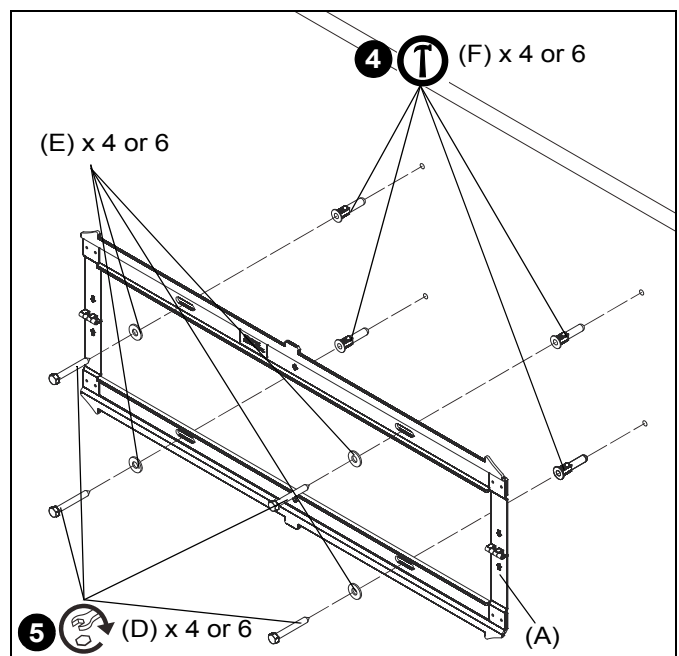


Figure 7



### Install Brackets to Display



**WARNING:** The minimum hole pattern size is 100mm x 100mm for the RMT2 and RLT2 and 200mm x 200mm for the RXT2.

1. Lay display face down on protective surface.



**CAUTION:** Using screws of improper diameter may damage your display! Proper screws will easily thread into display mounting holes.

2. Select screw *diameter* by examining hardware (GA-GO) (8mm, 6mm, 5mm, or 4mm) and comparing with mounting holes on display. (See Figure 8)
3. Select spacers: (See Figure 8)
  - If mounting holes are not recessed and both brackets (B or C) can lay flat against display, then no spacers are required.
  - If mounting holes are recessed, or if protrusions prevent brackets (B or C) from laying flat, then spacers (GP or GQ) must be used. Select shortest spacer which will provide adequate fill. All spacers must be same length.



**CAUTION:** Using screws of improper length may damage your display! Proper screws will have adequate thread engagement without contacting bottom of display mounting holes.

**IMPORTANT ! :** The M8 screws do **NOT** require a washer. Use the universal washer (GS) **ONLY** with M4, M5 and M6 screws.

4. Select screw *length*: (See Figure 8)
  - Using your hand, insert **SHORTEST** length screw of selected diameter (GA, GE, GI or GL) through bracket (B or C), universal washer (GS, if required), selected spacer (GP or GQ, if required), into display mounting hole. Do **NOT** thread screw into hole at this time.
  - Proper screw length requires base of screw head to protrude above flat washer a *distance equal to or greater than the screw diameter*. If screw length is inadequate, select longer screw. Select *shortest* screw which will protrude the required distance.
5. Place brackets (B and C) on display, ensuring: (See Figure 8)
  - Upper hooks are towards *top* of display.
  - Center of brackets (B and C) are as close to the center of the back of display as possible after being installed. Center of bracket is indicated by the diamond-shaped hole.
6. If installing display with wide hole pattern, it may be necessary to swap the uprights (B and C). See Switching Interface Brackets section for details.

7. Using Phillips screwdriver, carefully install selected screws through universal washers (GS, if required), brackets (B and C), and spacers (GP or GQ, if required), into display. (See Figure 8)
8. Tighten all screws. Ensure all applicable display mounting holes (4, 6, or 8) are used.

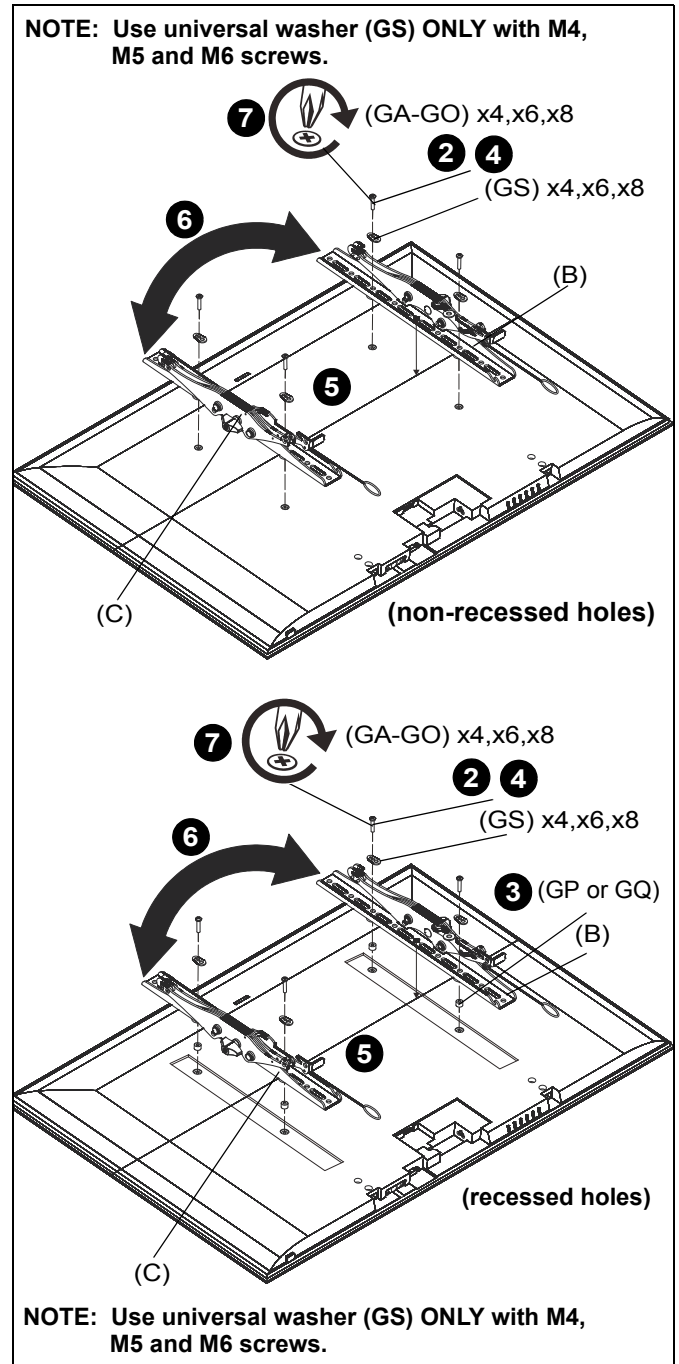


Figure 8

## Install Display to Wall Plate



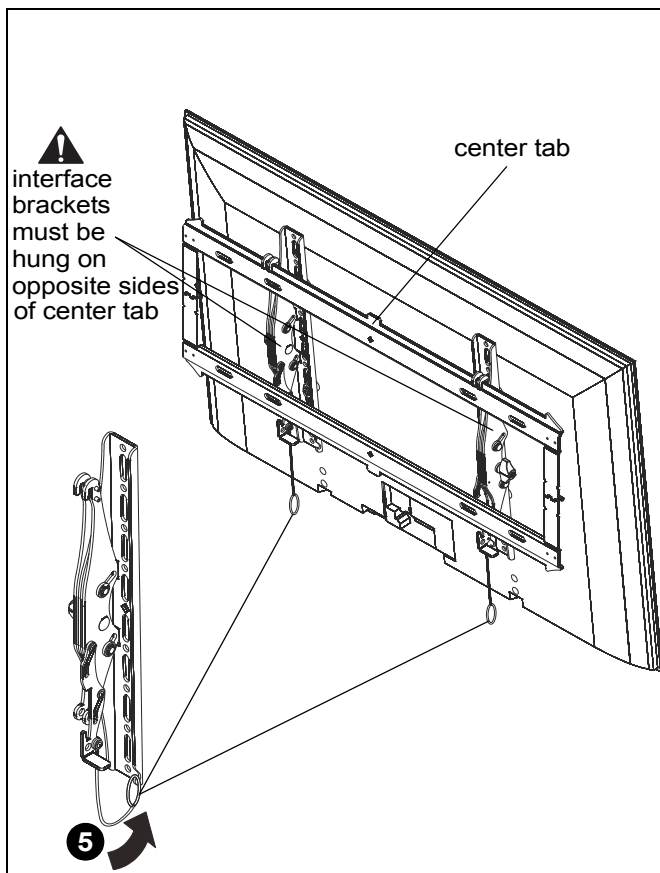
**WARNING:** Exceeding the weight capacity can result in serious personal injury or damage to equipment! It is the installer's responsibility to make sure the combined weight of all components attached does not exceed 125 lbs (56.7 kg) for the RMT2 and RLT2 or 175 lbs (79.4 kg) for the RXT2. Use with products heavier than the maximum weight indicated may result in collapse of the mount and its accessories causing possible injury.



**WARNING:** Display may be very heavy! Ensure display can be safely lifted and maneuvered as required to install on wall plate. Failure to take adequate precautions can result in serious personal injury or damage to equipment!

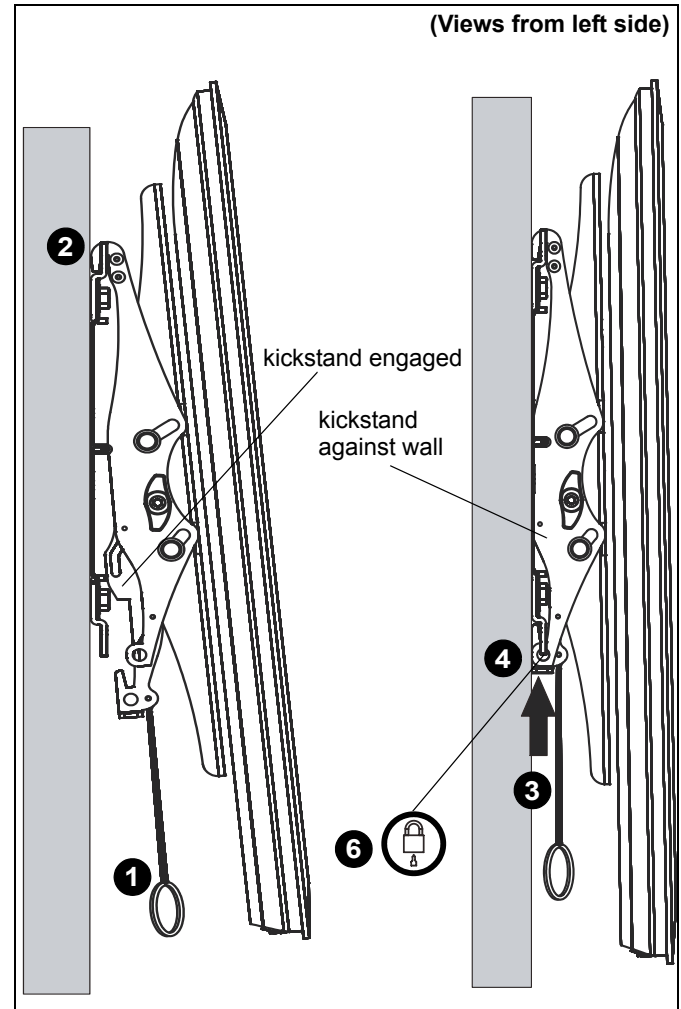


**WARNING:** Interface brackets must be hung on opposite sides of the center tab on wall plate! (See Figure 9)



**Figure 9**

1. Make sure interface brackets are in the kickstand position by pulling down on handles as far as possible. (See Figure 10)
2. Hang display with brackets (B and C) on upper rail of wall plate (A). Kickstand should be engaged with lower portion of wall plate. (See Figure 10)



**Figure 10**

**NOTE:** Any cable management or rear display adjustments should be made when the display is resting on the kickstand.

3. Unlock kickstand by pushing up on interface brackets until kickstand rests against the wall. (See Figure 10)
4. Push up on the interface brackets further in order to lock display into position against wall. (See Figure 10)
5. Straps can be tucked behind display on notch on interface brackets (B and C) after installation is complete so that they will not be visible to the viewer. (See Figure 9)
6. (Optional) Route padlock or cable lock (not included) through bottom holes on interface bracket to provide additional security. (See Figure 10)

### Switching Interface Brackets (Optional)

For wide hole patterns, interface brackets must be reversed. See Table below to determine if this is necessary.

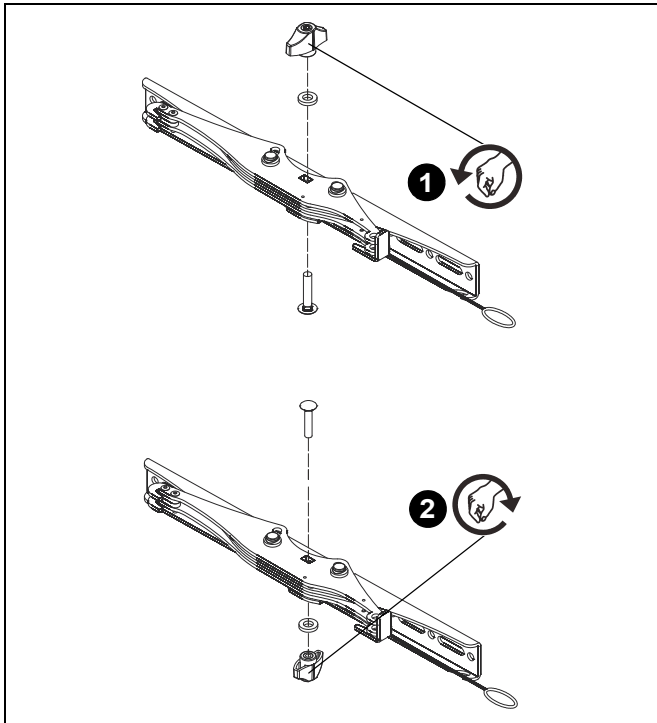
**Table 1: Hole Pattern Width**

Model #	normal installation	swap uprights
RMT2	100-440mm	441-506mm
RLT2	100-663mm	664-728.8mm
RXT2	200-847mm	848-913mm

1. Remove the tilt tension knob, washer and screw from interface bracket. (See Figure 11)

**IMPORTANT ! :** Hold the brackets steady when removing the knob, washer and screw from interface bracket to prevent internal washers from falling out. If internal washers do fall out, they must be reinserted in proper position before reinstalling knob on the other side!

2. Replace the knob, washer and screw in the opposite order. (See Figure 11)

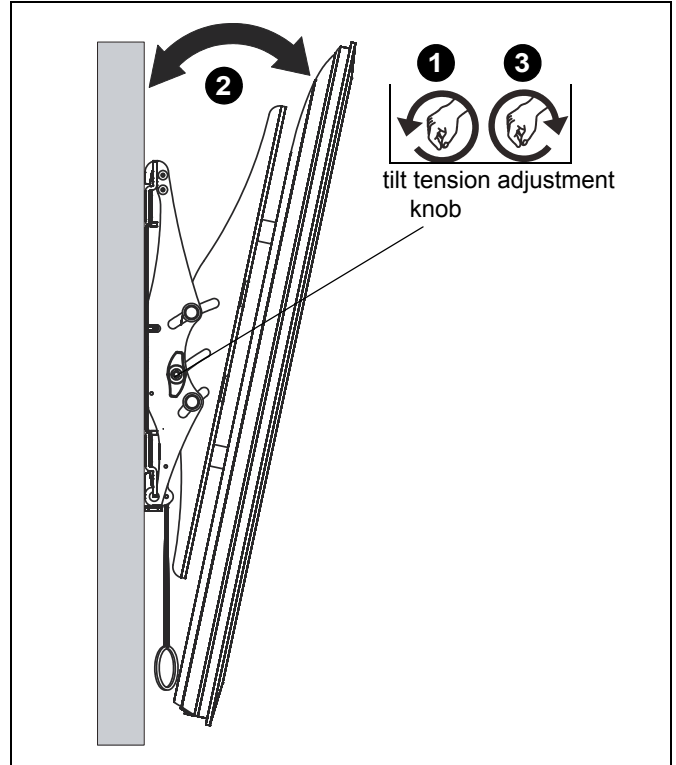


**Figure 11**

3. Repeat for the other interface bracket.
4. Install interface brackets according to instructions in Install Brackets to Display section.

### Tilt Adjustment

1. Adjust tilt tension adjustment knobs to desired tension. (See Figure 12)
2. Adjust tilt of display by pulling the top of display away from the wall until desired tilt position is reached. (See Figure 12)
3. Tighten tilt tension adjustment knobs to secure tilt position. (See Figure 12)



**Figure 12**



Our Mounts. **Your Vision.**

Chief, a products division of  
Milestone AV Technologies

8800-002428 Rev01  
©2016 Milestone AV Technologies  
[www.chiefmfg.com](http://www.chiefmfg.com)  
01/16

<b>USA/International</b>	<b>A</b> 6436 City West Parkway, Eden Prairie, MN 55344 <b>P</b> 800.582.6480 / 952.225.6000 <b>F</b> 877.894.6918 / 952.894.6918
<b>Europe</b>	<b>A</b> Franklinstraat 14, 6003 DK Weert, Netherlands <b>P</b> +31 (0) 495 580 852 <b>F</b> +31 (0) 495 580 845
<b>Asia Pacific</b>	<b>A</b> Office No. 918 on 9/F, Shatin Galleria 18-24 Shan Mei Street Fotan, Shatin, Hong Kong <b>P</b> 852 2145 4099 <b>F</b> 852 2145 4477

