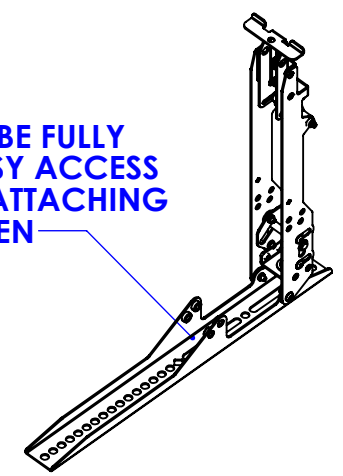
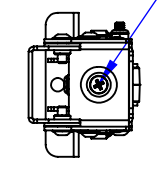


KIT INCLUDES 2 INTERFACES AND SCREEN ATTACHMENT HARDWARE

UPRIGHT CAN BE FULLY OPENED FOR EASY ACCESS TO SCREWS FOR ATTACHING TO SCREEN



PHILLIPS SCREW DRIVE FOR LEVELING PAD

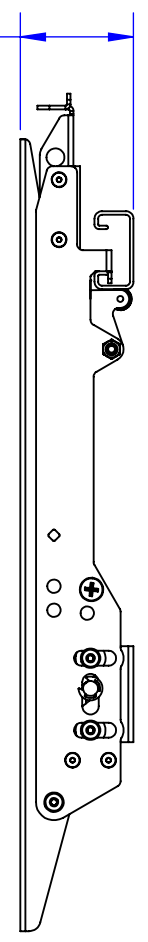


THE INFORMATION AND DESIGNS CONTAINED IN THIS DRAWING ARE CONFIDENTIAL AND THE PROPRIETARY PROPERTY OF MILESTONE AV TECHNOLOGIES NEITHER THIS DESIGN NOR ANY INFORMATION CONTAINED IN THIS DRAWING MAY BE REPRODUCED OR DISCLOSED TO OTHERS WITHOUT THE EXPRESS WRITTEN CONSENT OF MILESTONE AV TECHNOLOGIES.

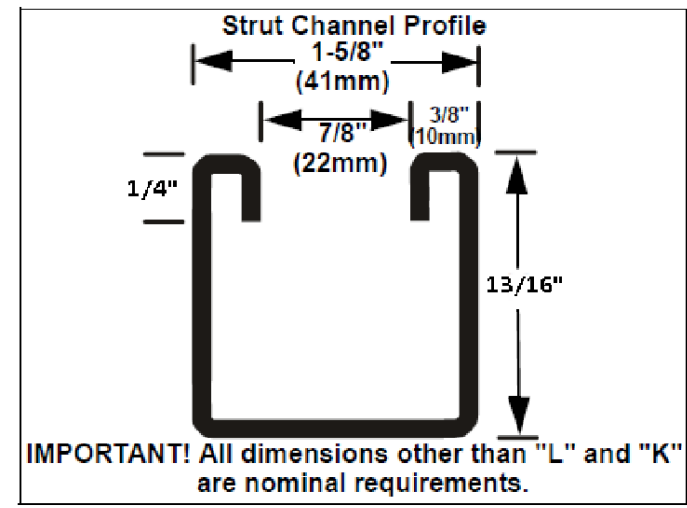
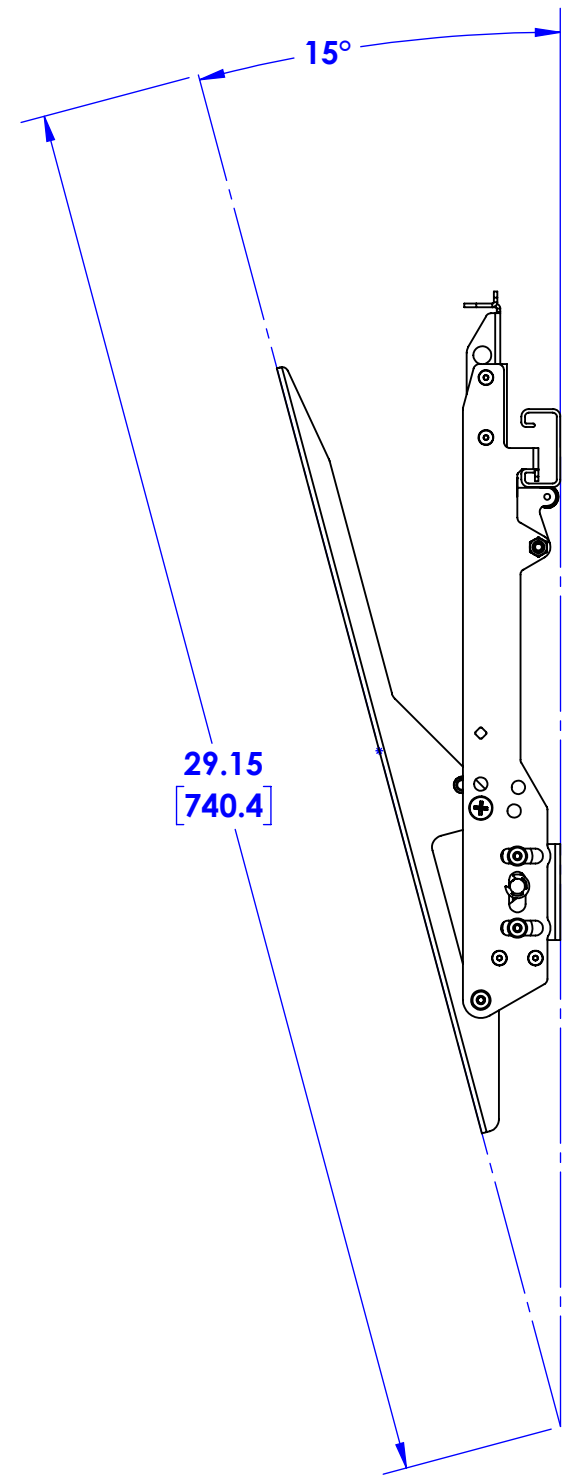
CAD GENERATED DRAWING, DO NOT MANUALLY UPDATE.			6436 CITY WEST PKWY EDEN PRAIRIE MN, 55344 PHONE: 866-977-3901 FAX: 877-894-6918	
DRAWN BY	JAB	10/16/2017		
ENG APPROVAL			DESCRIPTION	
MFG APPROVAL			400 mm STRUT CHANNEL INTERFACE SET	
QA APPROVAL			MODEL NO.	
SHEET 1 OF 2			SCALE	1:4
			SIZE	B
			DWG. NO.	TECH-000903
			REV.	00

D
C
B
A

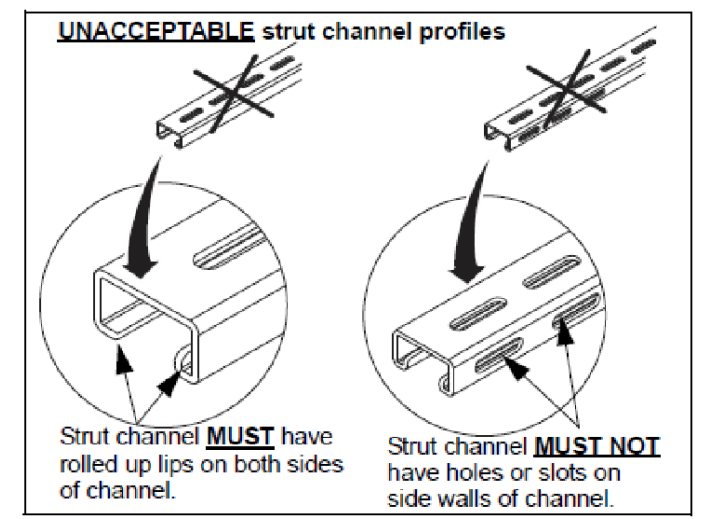
2.36
[59.9]



29.15
[740.4]



IMPORTANT! All dimensions other than "L" and "K" are nominal requirements.



**12 OR 14 GAUGE
ASTM A1011 SS GR 33
YIELD STRENGTH 33 Ksi (230 MPa)
STRUT CHANNEL NOT INCLUDED**

THE INFORMATION AND DESIGNS CONTAINED IN THIS DRAWING ARE CONFIDENTIAL AND THE PROPRIETARY PROPERTY OF MILESTONE AV TECHNOLOGIES NEITHER THIS DESIGN NOR ANY INFORMATION CONTAINED IN THIS DRAWING MAY BE REPRODUCED OR DISCLOSED TO OTHERS WITHOUT THE EXPRESS WRITTEN CONSENT OF MILESTONE AV TECHNOLOGIES.

CAD GENERATED DRAWING, DO NOT MANUALLY UPDATE.			6436 CITY WEST PKWY EDEN PRAIRIE MN, 55344 PHONE: 866-977-3901 FAX: 877-894-6918	
DRAWN BY	JAB	10/16/2017		
ENG APPROVAL			DESCRIPTION 400 mm STRUT CHANNEL INTERFACE SET	
MFG APPROVAL			MODEL NO. RMB400	
QA APPROVAL			SIZE B	DWG. NO. TECH-000903
SHEET 2 OF 2			SCALE 1:4	REV. 00

D
C
B
A

1 2 3 4 5 6 7 8

1 2 3 4 5 6 7 8