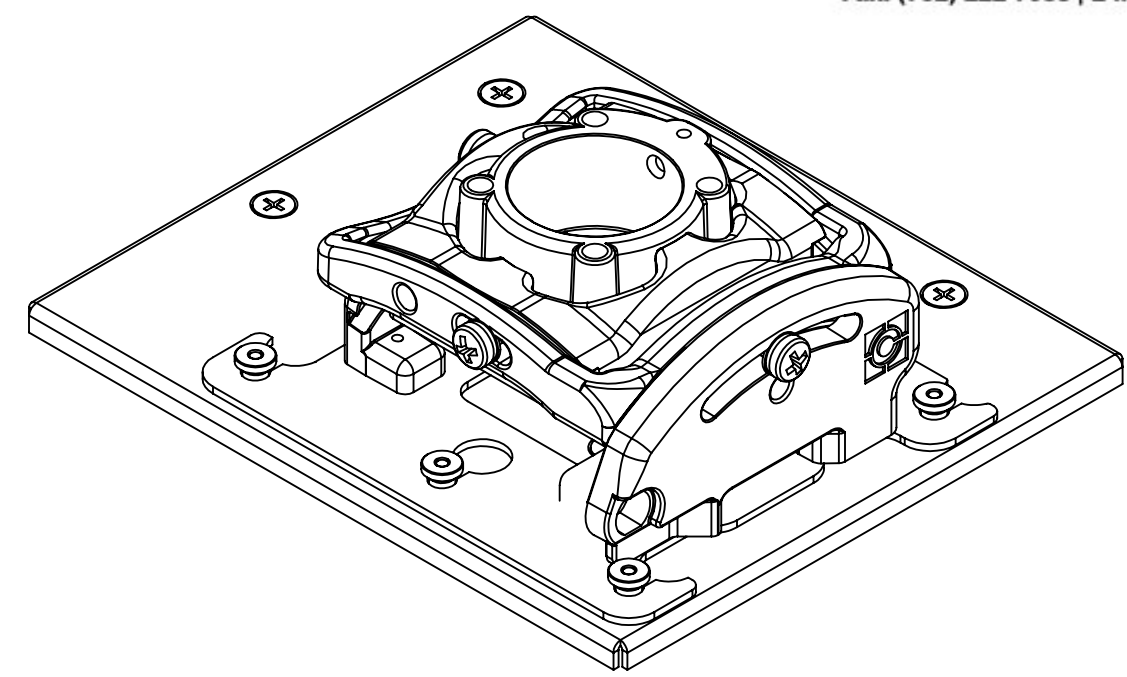
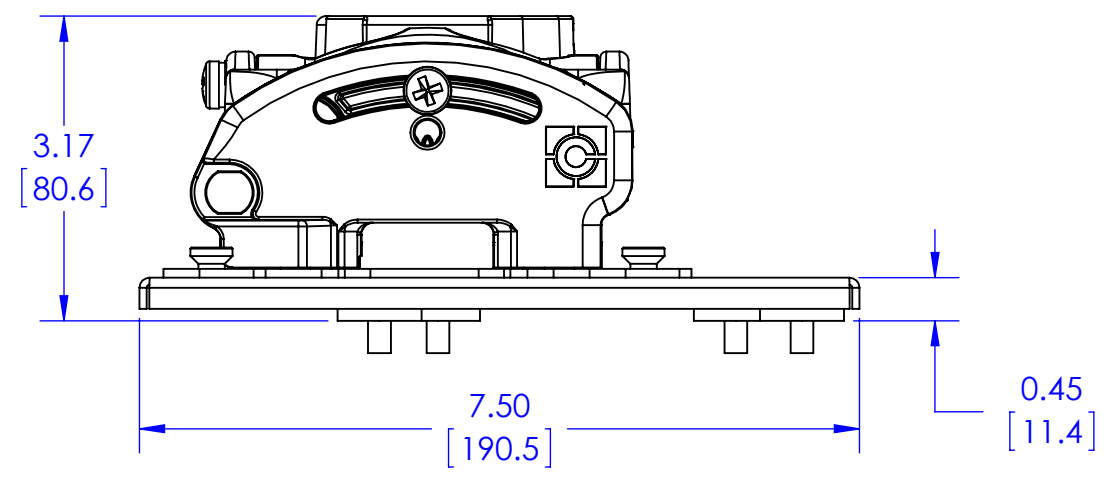
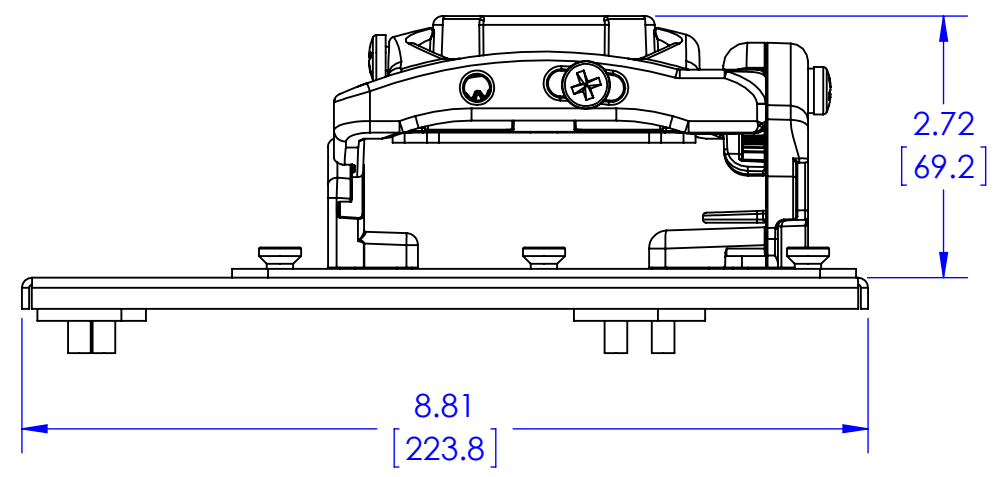


(4) M6 X 20MM FLAT HEAD SCREWS
 COMPATIBLE WITH 1 1/2" NPT OR 1/ 1/2" NPS THREADS



THIS SIDE TO FRONT OF PROJECTOR



ADJUSTMENTS:
 ROLL: 3°
 PITCH: 20°
 YAW: 360°

THE INFORMATION AND DESIGNS CONTAINED IN THIS DRAWING ARE CONFIDENTIAL AND THE PROPRIETARY PROPERTY OF MILESTONE AV TECHNOLOGIES NEITHER THIS DESIGN NOR ANY INFORMATION CONTAINED IN THIS DRAWING MAY BE REPRODUCED OR DISCLOSED TO OTHERS WITHOUT THE EXPRESS WRITTEN CONSENT OF MILESTONE AV TECHNOLOGIES.

CAD GENERATED DRAWING, DO NOT MANUALLY UPDATE.			CHIEF 6436 CITY WEST PKWY EDEN PRAIRIE MN, 55344 PHONE: 866-977-3901 FAX: 877-894-6918	
DRAWN BY	SEF	5/6/2016	DESCRIPTION SLM312 RPMX312 TECH DRAWING	
ENG APPROVAL		05/06/2016	MODEL NO. SLB312 / RPMX312	
MFG APPROVAL			SIZE DWG. NO. B TECH-000788	
QA APPROVAL			REV. 00	
SHEET 1 OF 1		SCALE 1:2		