

1 2 3 4 5 6 7 8

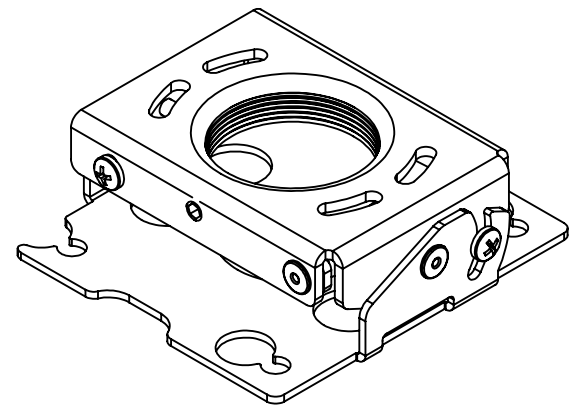
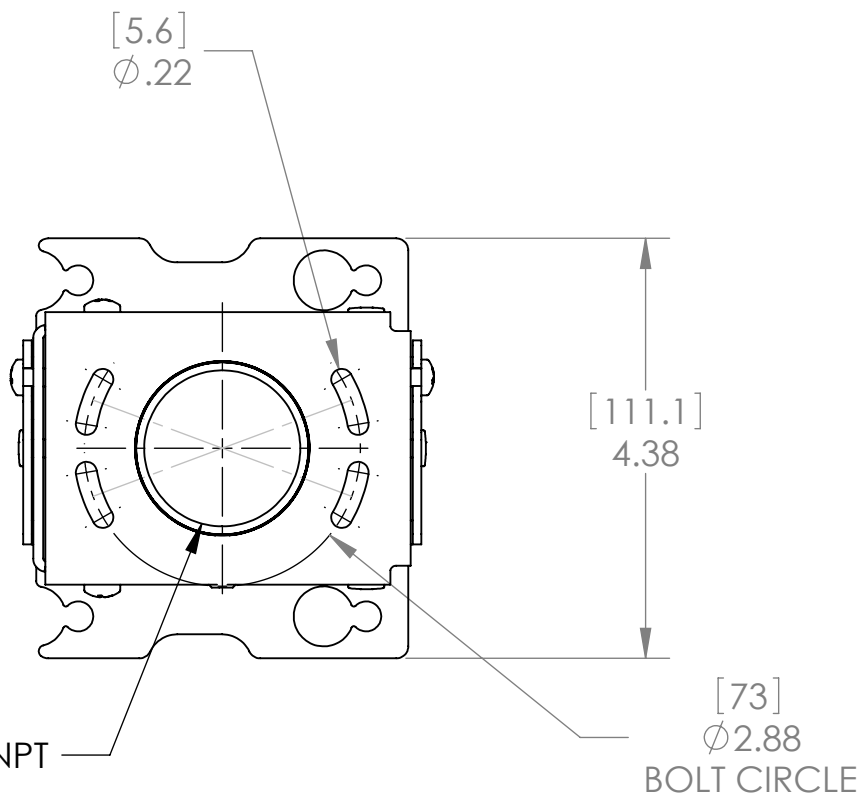
RSA-XXX

D

C

B

A

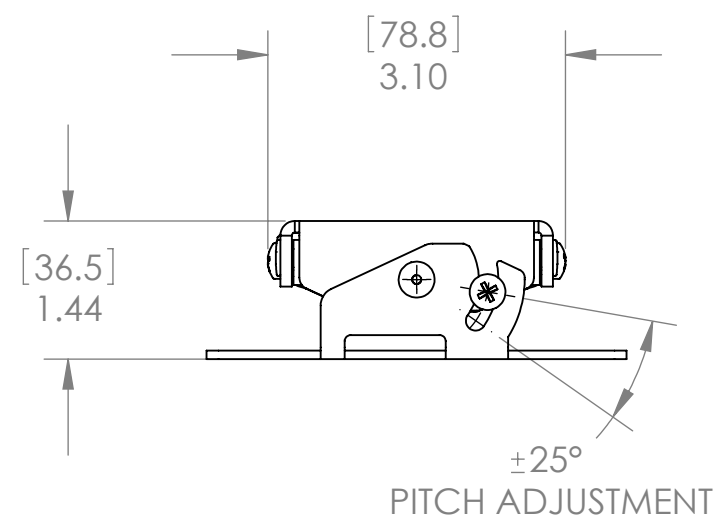
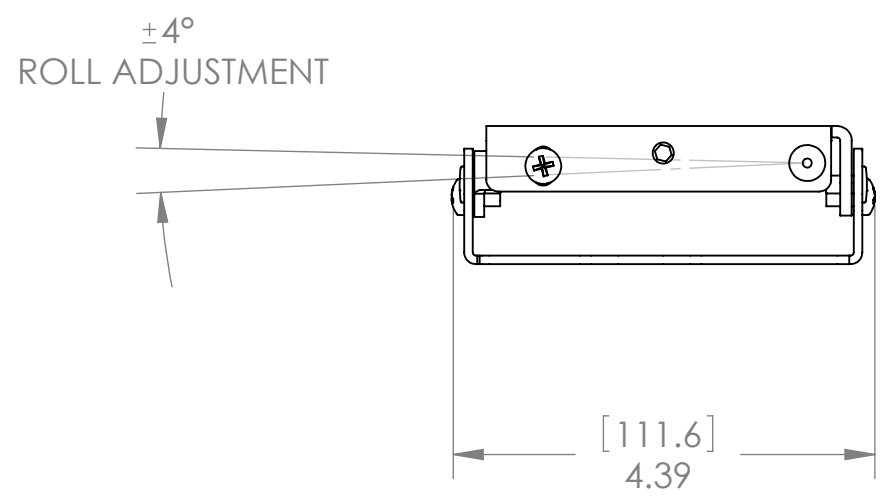


D

C

B

A



205 Westwood Ave, Long Branch, NJ 07740
 Phone: 866-94 BOARDS (26273) / (732)-222-1511
 Fax: (732)-222-7088 | E-mail: sales@touchboards.com

NOTE: CUSTOM INTERAFCE BRACKET NOT SHOWN. THE CUSTOM INTERFACE BRACKET NEEDED FOR YOUR PROJECTOR WILL ADD DEPTH TO INSTALLATION AND MAY AFFECT LOCATION OF DISPLAY ON THE MOUNT.

SEE SSB-XXX DRAWING ALSO.



CHIEF MANUFACTURING INC.
 MOUNT ORDER NUMBER IS RSA-XXX
 PHONE: 1-800-582-6480

THE INFORMATION AND DESIGNS CONTAINED IN THIS DRAWING ARE CONFIDENTIAL AND THE PROPRIETARY PROPERTY OF CHIEF MFG., INC. NEITHER THIS DESIGN NOR ANY INFORMATION CONTAINED IN THIS DRAWING MAY BE REPRODUCED OR DISCLOSED TO OTHERS WITHOUT THE EXPRESS WRITTEN CONSENT OF CHIEF MFG., INC.

 CHIEF MANUFACTURING, INC. <small>8401 EAGLE CREEK PKWY STE. 700, SAVAGE, MN 55378 1.800.582.6480 * FAX 1.877.894.6918</small>	
TITLE	
CUSTOMER PRINT ASSEMBLY, RSA PROJECTOR MOUNT RSA-XXX	
SIZE	DWG. NO.
B	RSA-XXX

1 2 3 4 5 6 7 8