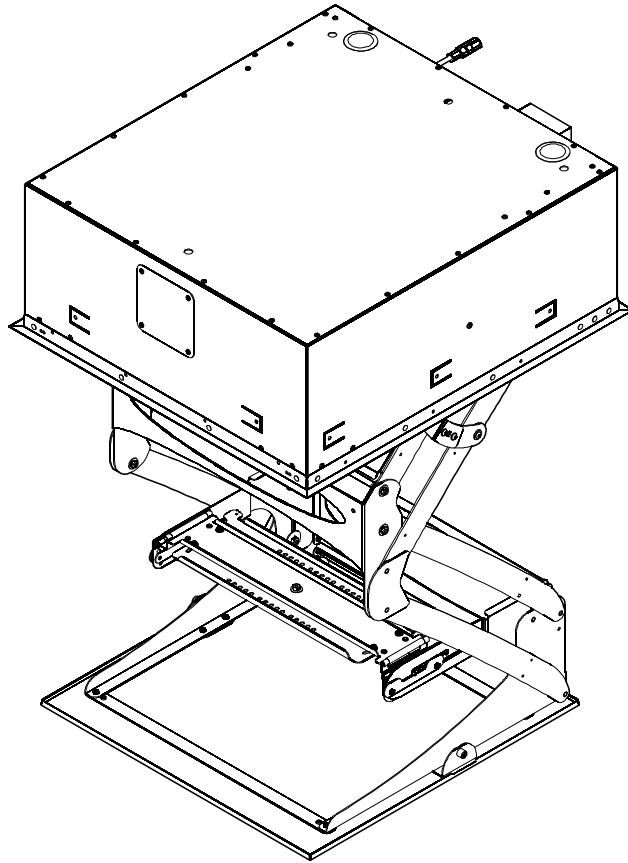


# INSTALLATION INSTRUCTIONS



## SMART-LIFT™ Electric Ceiling Lift

This device complies with part 15 of the FCC rules. Operation is subject to the following 2 conditions: (1) This device may not cause harmful interference, and (2) this device must accept any interference received, including interference that may cause undesired operation.

This equipment has been tested and found to comply with the limits of a Class B digital device, pursuant to Part 15 of the FCC rules. These limits are designed to provide reasonable protection against harmful interference in a residential installation. This equipment generates, uses and can radiate radio frequency energy, and if not installed and used in accordance with the instructions, may cause harmful interference to radio or television communications. However, there is no guarantee that the interference will not occur in a particular installation. If this equipment does cause harmful interference to radio or television reception, which can be determined by turning the equipment off and on, the user is encouraged to try to correct the interference by one of the following measures:

- Reorient or relocate the receiving antenna
- Increase the separation between the equipment and receiver
- Connect the equipment to an outlet on a circuit other than that to which the receiver is connected

Consult the dealer or an experienced radio/TV technician for help



Our Mounts. **Your Vision.**

# SL236i

## DISCLAIMER

Milestone AV Technologies, and its affiliated corporations and subsidiaries (collectively, "Milestone"), intend to make this manual accurate and complete. However, Milestone makes no claim that the information contained herein covers all details, conditions or variations, nor does it provide for every possible contingency in connection with the installation or use of this product. The information contained in this document is subject to change without notice or obligation of any kind. Milestone makes no representation of warranty, expressed or implied, regarding the information contained herein. Milestone assumes no responsibility for accuracy, completeness or sufficiency of the information contained in this document.

Chief® is a registered trademark of Milestone AV Technologies. All rights reserved.



## IMPORTANT SAFETY INSTRUCTIONS



**WARNING** alerts you to the possibility of serious injury or death if you do not follow the instructions.



**CAUTION** alerts you to the possibility of damage or destruction of equipment if you do not follow the corresponding instructions.



**WARNING:** FAILURE TO READ AND FOLLOW THE FOLLOWING INSTRUCTIONS CAN RESULT IN SERIOUS PERSONAL INJURY, DAMAGE TO EQUIPMENT OR VOIDING OF FACTORY WARRANTY. It is the installer's responsibility to make sure all components are properly assembled and installed using the instructions provided.

**IMPORTANT ! :** Model SL236i is suitable for use in Other Environmental Air Space in Accordance with Section 300.22(C) of the National Electrical Code.

When using an electrical mounting system, basic precautions should always be followed, including the following:

**READ ALL INSTRUCTIONS BEFORE USING THIS PRODUCT!!!!**



**DANGER:** TO REDUCE THE RISK OF ELECTRIC SHOCK:

1. Always turn off power at source before cleaning.



**WARNING:** TO REDUCE THE RISK OF BURNS, FIRE, ELECTRIC SHOCK, OR INJURY TO PERSONS:

- Always turn off power at source before putting on or taking off parts.
- Use this mounting system only for its intended use as described in these instructions. Do NOT use attachments not recommended by the manufacturer.
- Never operate this mounting system if it has a damaged test cord or test plug. If it is not working properly during testing, return the mounting system to a service center for examination and repair.
- Keep the test power cord away from heated surfaces.
- Never operate the mounting system with the air openings blocked. Keep the air openings free of lint, hair, and the like.
- Never drop or insert any object into any opening.
- Do not use outdoors unless marked for outdoor use.
- Route cords and cables as shown in the installation instructions.
- To disconnect, turn all controls to the off position, then turn off power at source.



**WARNING:** RISK OF ELECTRIC SHOCK! Connect this mounting system to a properly grounded outlet only. See Grounding Instructions.



**CAUTION:** Changes or modifications to this unit not expressly approved by the manufacturer can void the units FCC compliance rating and make the unit illegal to operate.



**WARNING:** Failure to provide adequate structural strength for this component can result in serious personal injury or damage to equipment! It is the installer's responsibility to make sure the structure to which this component is attached can support five times the combined weight of all equipment. Reinforce the structure as required before installing the component.



**WARNING:** Exceeding the weight capacity can result in serious personal injury or damage to equipment! It is the installer's responsibility to make sure the weight of all components attached to the SL236i does not exceed 35 lbs (15.9 kg).

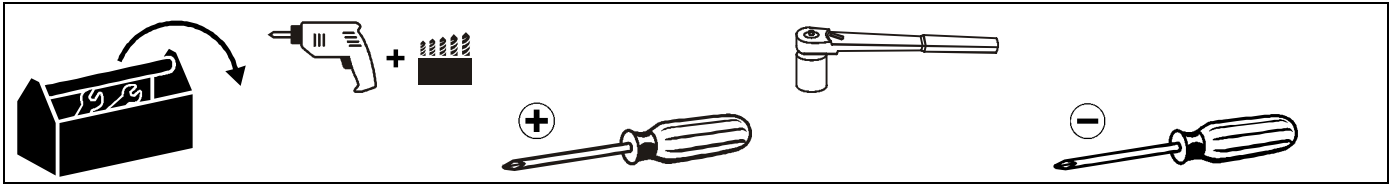


**WARNING:** RISK OF INJURY! Do not place video equipment such as televisions or computer monitors on the ceiling panel of the SL236. The total weight of any objects on the ceiling panel must not exceed 5 lbs (2.3 kg).

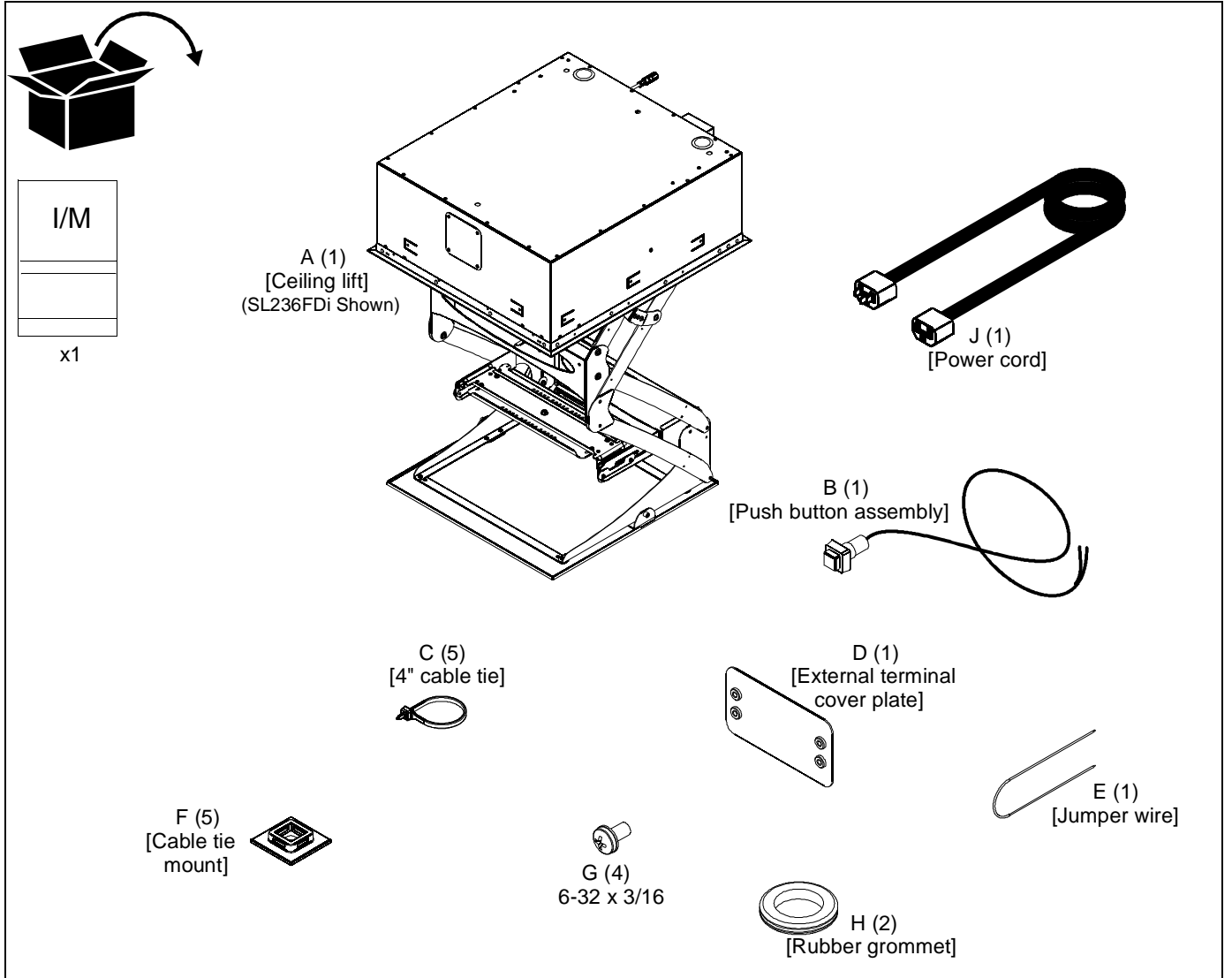
**NOTE:** This system has no user serviceable parts.

**--SAVE THESE INSTRUCTIONS--**


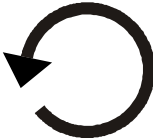
**TOOLS REQUIRED FOR INSTALLATION**





**PARTS**



**LEGEND**

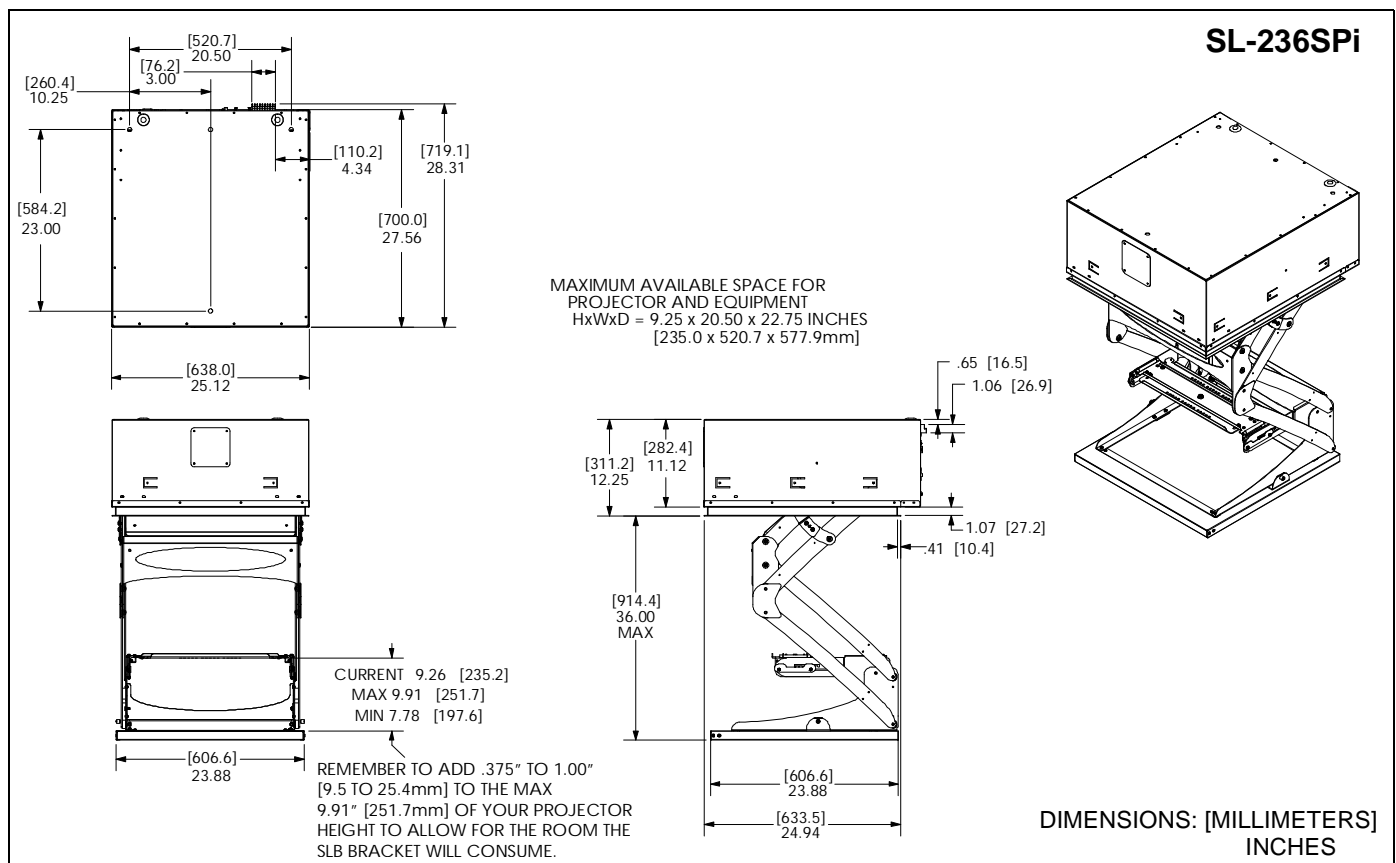
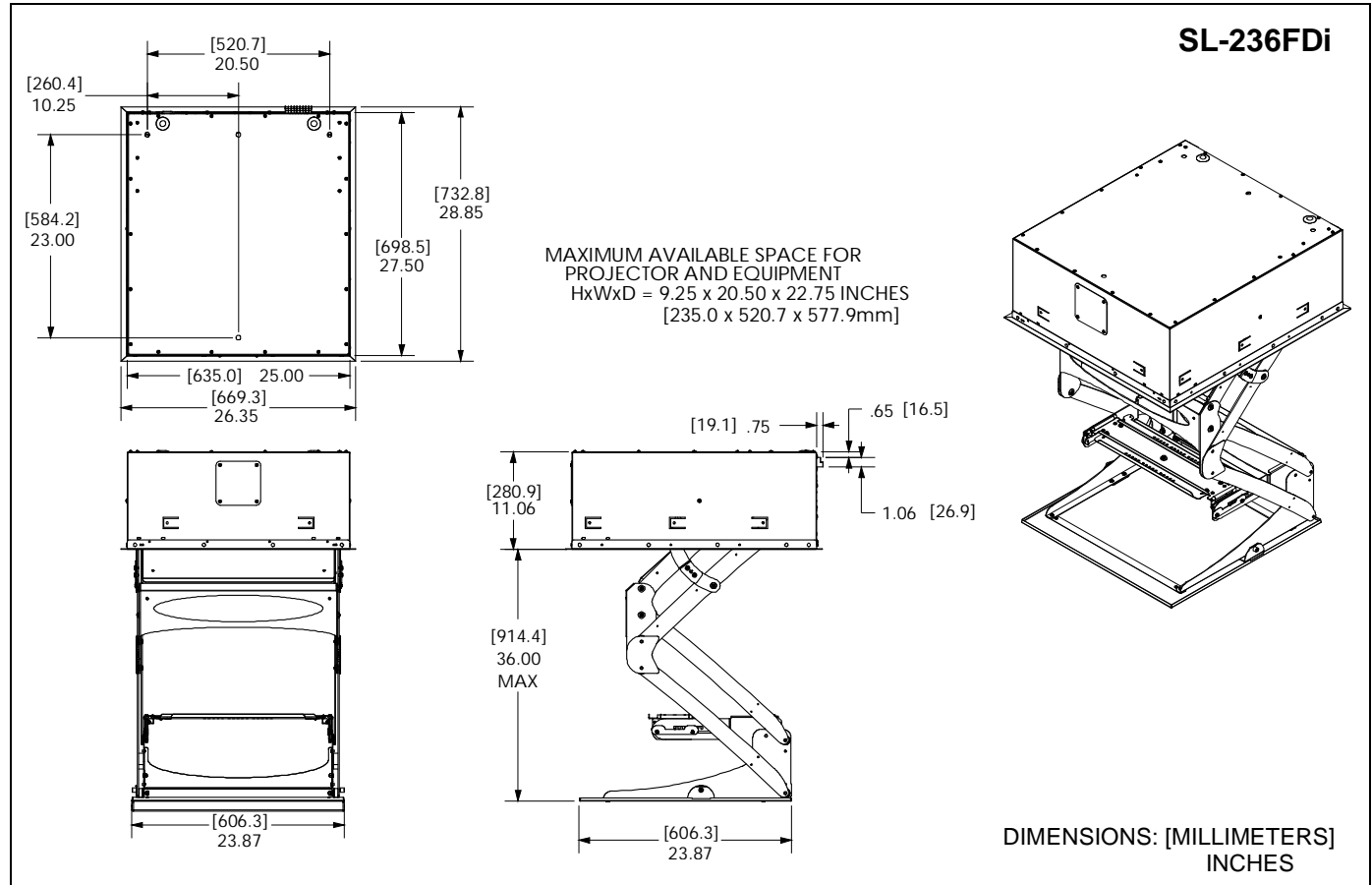
	<b>Tighten Fastener</b>
	Apretar elemento de fijación
	Befestigungsteil festziehen
	Apertar fixador
	Serrare il fissaggio
	Bevestiging vastdraaien
Serrez les fixations	
	<b>Loosen Fastener</b>
	Aflojar elemento de fijación
	Befestigungsteil lösen
	Desapertar fixador
	Allentare il fissaggio
	Bevestiging losdraaien
Desserrez les fixations	

	<b>Phillips Screwdriver</b>
	Destornillador Phillips
	Kreuzschlitzschraubendreher
	Chave de fendas Phillips
	Cacciavite a stella
	Kruiskopschroevendraaier
Tournevis à pointe cruciforme	
	<b>Adjust</b>
	Ajustar
	Einstellen
	Ajustar
	Regolare
	Afstellen
Ajuster	

**TABLE OF CONTENTS**

Disclaimer.....	2	Installing in a Wood Framework (Joists).....	9
Tools Required For Installation.....	3	Installing Projector on SL236i.....	9
Parts.....	3	Adjustments.....	10
Legend.....	4	Routing Cables.....	11
Dimensions.....	5	Connecting Control Wiring.....	12
Installation Requirements.....	6	Connecting to Power Supply.....	12
Power Requirements.....	6	Plenum Rated Installation.....	12
Pre-test Lift Before Installation.....	6	Wiring Options.....	12
Power Requirements and Wiring.....	7	Table 1: Wiring Table.....	13
Grounding Instructions.....	7	Table 2: Internal Terminal Descriptions.....	14
Installing in Ceiling.....	7	Internal/External Wiring Terminal	
Installing in Suspended Ceiling (SL236SPi)...	7	Descriptions.....	15

**DIMENSIONS**



### INSTALLATION REQUIREMENTS

**NOTE:** Throughout this document, reference to SL236i refers to both SL236FDi and SL236SPi models.

The SL236i has been designed to be mounted recessed into a ceiling.

#### Power Requirements

- 230VAC, 50Hz, 2 amps (if NOT installing an internal outlet for projector).
- 230VAC, 50Hz, 12 amps (if installing an internal outlet [not provided] for projector).

**IMPORTANT ! :** An external disconnect switch accessible to the user must be provided during installation.

**IMPORTANT ! :** Installation and maintenance of this product must be completed by a qualified service technician.

#### Pre-Test Lift before Installation

1. Carefully inspect the SL236i for any shipping damage. If any damage is apparent, do NOT continue with the installation. Instead, contact Chief for further instructions.
2. Attach supports (not provided) to the top of lift. (See Figure 1)

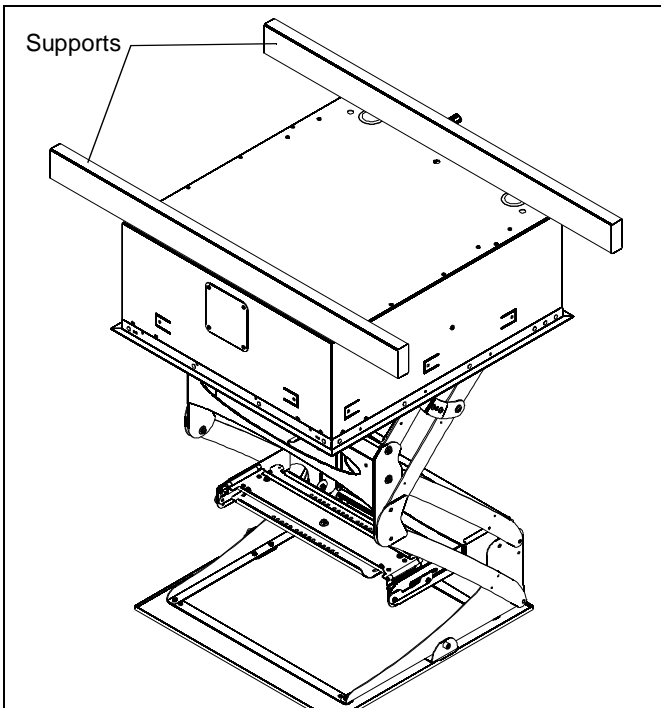


Figure 1

3. Suspend the lift at least 3-1/2 ft. above a surface from a suitable structure such as saw horses, ladders or tables.
4. Remove and save two screws holding side electrical cover in place. (See Figure 2)
5. Remove electrical cover. (See Figure 2)

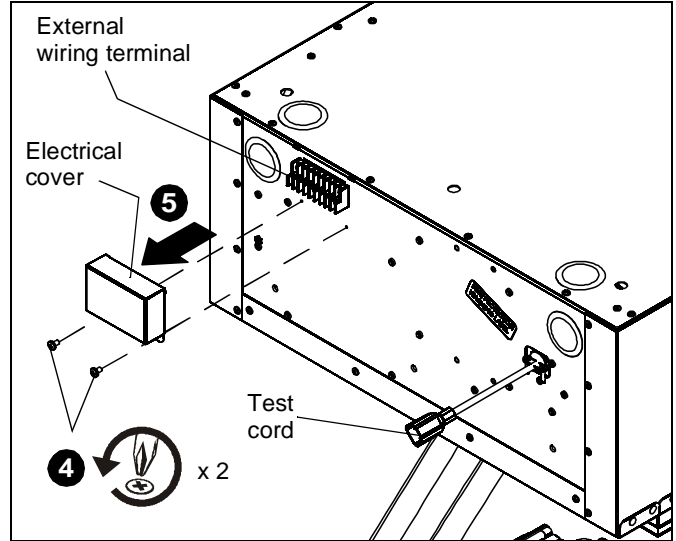


Figure 2

6. Place the jumper wire (E) on the external wiring terminal contacts labeled 2 and 5, and wire the push button assembly (B) to contacts 1 (red) and 6 (black). (See Figure 3).
7. Plug the SL236i test inlet in using the supplied 6 ft. power cord (J). (See Figure 2)

**NOTE:** The supplied power cord (J) may not work in all countries, and the user may need to supply an appropriate cord for the country of use.

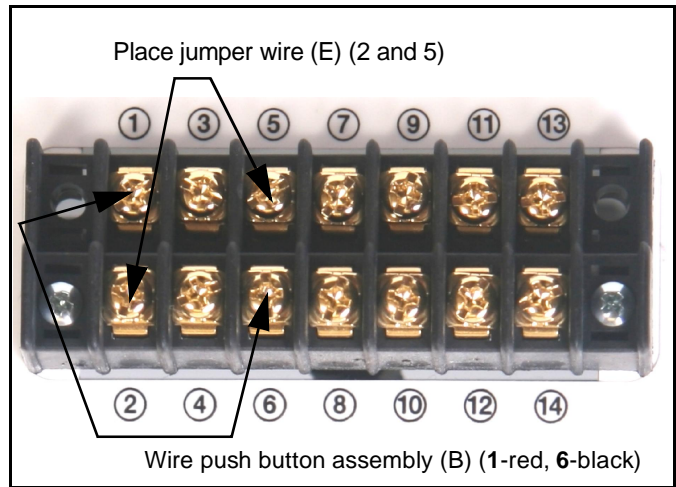


Figure 3

**NOTE:** (See Figure 2) for location of external wiring terminal. (See Figure 4) for location of internal wiring terminal.

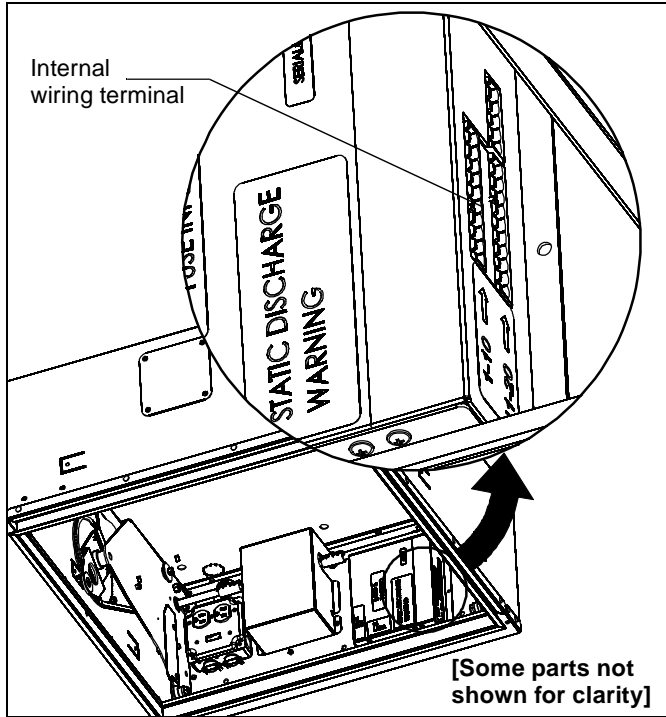


Figure 4

**Power Requirements and Wiring**

The SL236i requires 230VAC 50 Hz power to operate.

**NOTE:** A 6 ft. long power cable is provided with the mount. This supplied power cord should be used for testing only, and not for the permanent installation. (The SL236i will be hard-wired at installation.)

**IMPORTANT ! :** This product must be grounded. If it should malfunction or break down, grounding provides a path of least resistance for electric current to reduce the risk of electric shock.

**Grounding Instructions**

This product is equipped with a test cord having an equipment-grounding conductor and a grounding plug. The plug must be plugged into an appropriate outlet that is properly installed and grounded in accordance with all local codes and ordinances.

**⚠ WARNING:** RISK OF ELECTROCUTION! All electrical wiring required for installation should be installed by a qualified electrician.

**⚠ WARNING:** PINCH HAZARD! FINGERS OR HANDS BETWEEN MOVING PARTS CAN LEAD TO SEVERE PERSONAL INJURY! Keep fingers and hands away from mount when operating.

8. Press the push button (B) to test the SL236i while it is still in the pre-test position.
  - Press when the lift is at its top position and it will move down.
  - Press when the lift is at its bottom position and it will move up.
  - Press while the lift is moving and it will stop.
  - Leave SL236i in the closed position.

**INSTALLING IN CEILING**

**⚠ WARNING:** IMPROPER INSTALLATION CAN LEAD TO LIFT FALLING CAUSING SEVERE PERSONAL INJURY OR DAMAGE TO EQUIPMENT! It is the installers responsibility to make certain the structure to which the lift is being mounted is capable of supporting five times the weight of the lift and all attached equipment. Reinforce the structure as required before installing the lift.

**NOTE:** The following instructions assume a suitable mounting structure and surface exists prior to installation and all power and signal wires and cables have been properly installed.

**Installing in a Suspended Ceiling (SL236SPi)**

**NOTE:** The SL236SPi may be suspended from three 3/8 in. diameter x 8 in. length (minimum) Grade 2 or better threaded rods (not provided) which are secured to a 1-5/8" x 1-5/8" 12 ga metal framing channel (spanning a maximum of 5 feet--not provided) by Grade 2 or better 3/8" channel nuts (not provided).

1. Remove and save nuts attaching guide wires to two corners of ceiling panel. (See Figure 5)

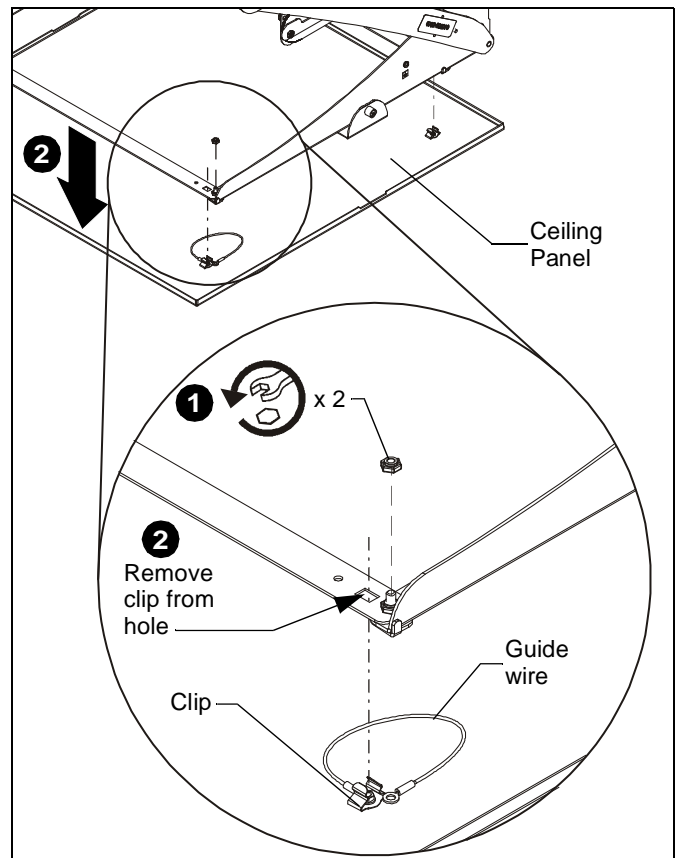


Figure 5

2. Pull down on each corner of ceiling panel to remove ceiling panel clips from rectangular holes. (See Figure 5)
3. Install the SMA651 (optional accessory) at this time, if applicable, following instructions included with the kit.
4. Cut the ceiling grid to fit the perimeter of the SL236SPi.
5. Place SL236SPi onto threaded rods, inserting the rods into the three slots on top of the SL236SPi housing. (See Figure 6)
6. Secure the threaded rods to the SL236SPi with Grade 2 or better 3/8 in. jam nuts (not provided) and washers (one of each on inside and one of each on outside--not provided).

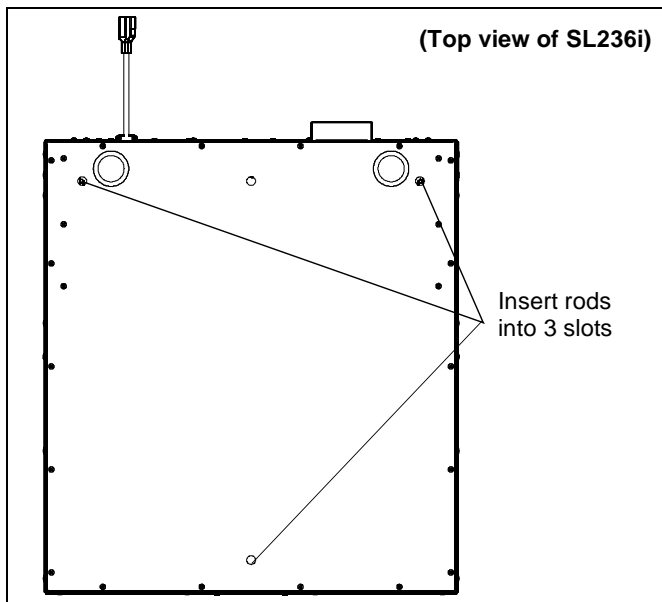


Figure 6

7. Install the SMA-620 (optional accessory) to the SL236SPi, if applicable, following instructions included with the kit.
8. Insert the ceiling grid edge surrounding the SL236SPi into the side channel of the SL236SPi. (See Figure 7)

**NOTE:** The side channel of the lift will support the weight of the grid and ceiling tiles.

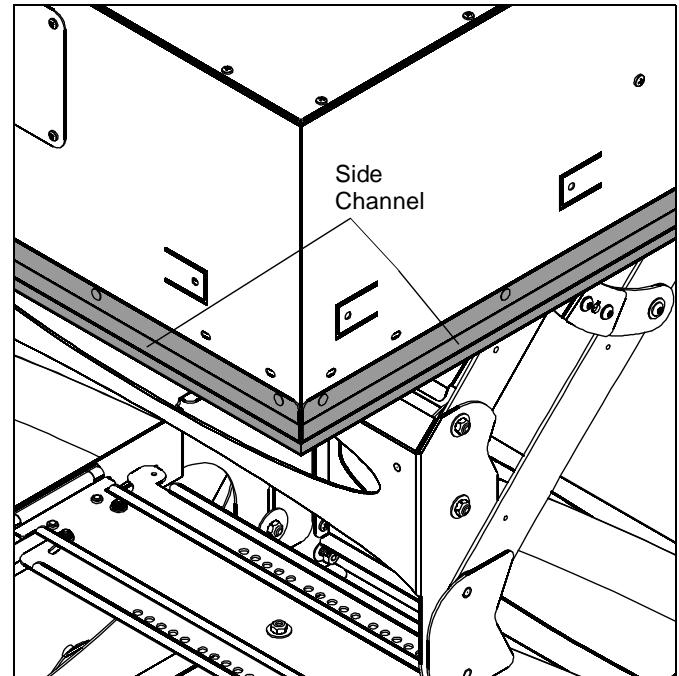


Figure 7



**CAUTION:** The lift **MUST** be installed square and parallel. Avoid stressing or bending the lift during installation.

9. Use the provided push button (B) to operate the SL236SPi up and down, ensuring that all clearances are adequate.
10. Replace surrounding ceiling tile.
11. Remove four screws and the ceiling tile retainer from the ceiling panel. (See Figure 8)

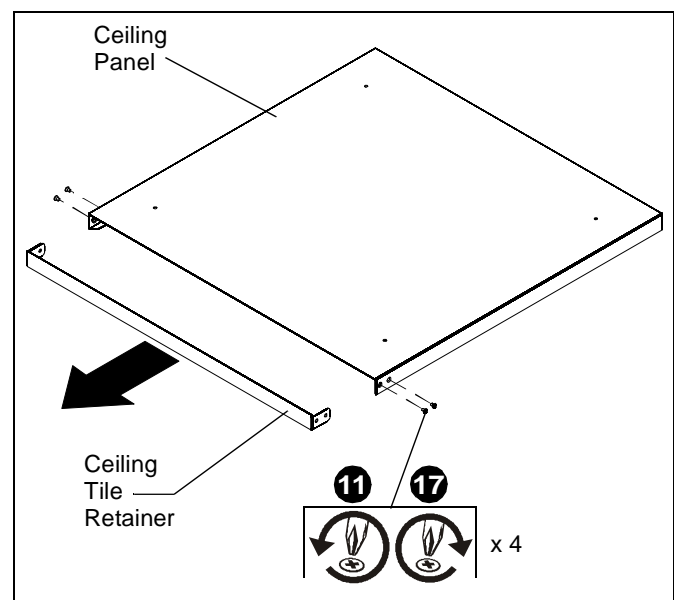
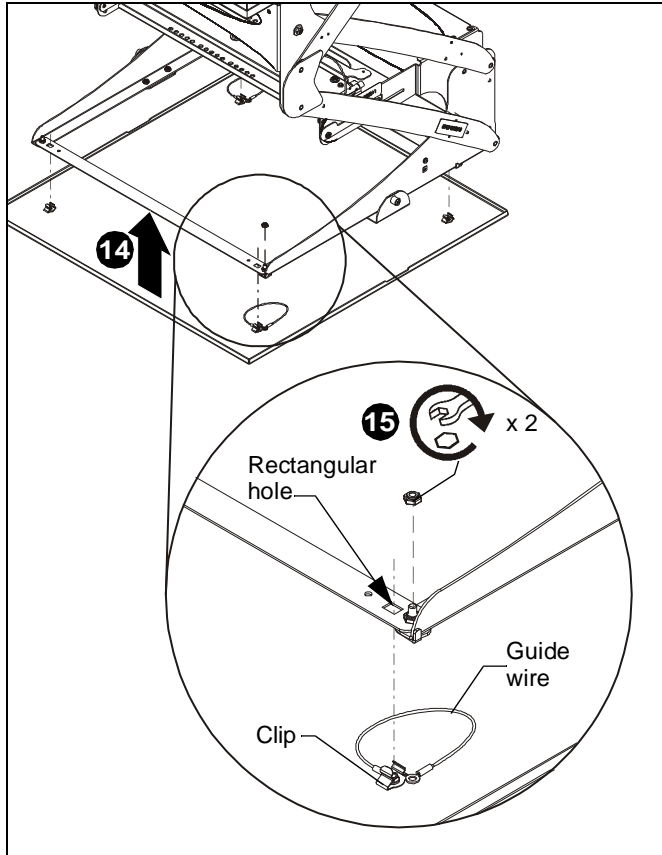


Figure 8

12. Cut ceiling tile to fit inside ceiling tile retainer, including grid pieces if necessary.





**Figure 9**

13. Line up clips on four corners of ceiling panel with holes in SL236SPi.
14. Re-install four clips on ceiling panel into rectangular holes on SL236SPi. (See Figure 9)
15. Reattach guide wires (two places) to SL236SPi, using nuts removed earlier in Step 1 of **Installing in a Suspended Ceiling** section. (See Figure 9)
16. Install ceiling tile and grid by sliding it into the open end of the ceiling tile retainer.



**CAUTION:** Do NOT allow parts of ceiling tile or grid to protrude from the ceiling panel. Ensure that all parts assemble easily when installing ceiling tile into ceiling panel. Any protruding parts may cause damage to the lift and/or ceiling.

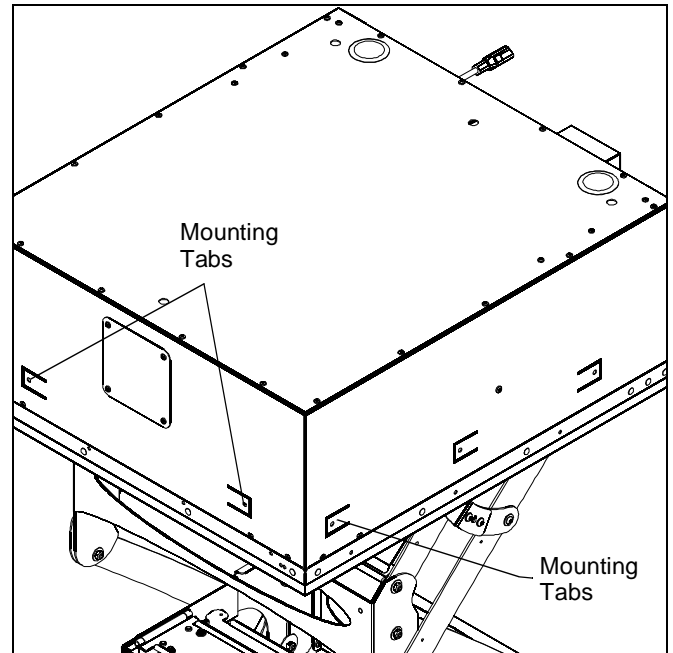
17. Re-install ceiling tile retainer to ceiling panel and secure with four screws removed in Step 10. (See Figure 8)
18. Use the provided push button (B) to operate the SL236SPi up and down, ensuring that all clearances are adequate after the ceiling has been finished.

**Installing in a Wood Framework (SL236FDi Only)**

1. Use 1/4" x 1" (minimum) Grade 2 lag screws (not provided) to secure SL236FDi to the joists or wood framework, using the mounting tabs located on the sides of the SL236FDi housing. (See Figure 10).

**NOTE:** There are three mounting tabs on each side and two mounting tabs on the front of the SL236FDi. There are three mounting holes in the back of the SL236FDi. The SL236FDi must be installed using the back mounting holes AND the front two mounting tabs on both sides, OR by using the back mounting holes AND the front mounting tabs.

**IMPORTANT ! :** Wood framework must be constructed of nothing larger than 2x6 wood studs across the rear of the SL236FDi. There are no size limitations for the wood framework on the other three sides of the SL236FDi.



**Figure 10**



**CAUTION:** The lift MUST be installed square and parallel. Do NOT stress or bend the lift during installation.

2. Use the provided push button (B) to operate the SL236i up and down, ensuring that all clearances are adequate.

**Installing Projector on SL236i**

**NOTE:** The projector is secured from the top by an SLB bracket (a Listed accessory which is not included).

1. Attach the SLB bracket to the projector using the hardware and instructions included with the bracket.

2. Press in end tabs on both ends of yaw adjustment bracket and lock into place. (See Figure 11)
3. Remove the yaw adjustment bracket from the SL236i by lifting up. (See Figure 11)

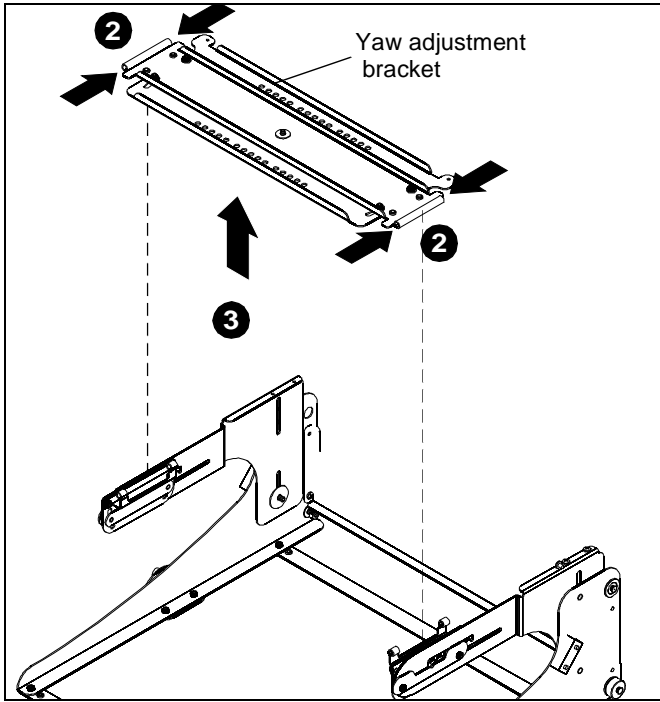


Figure 11

4. Place the yaw adjustment bracket over the studs on the SLB bracket, selecting the set of holes that best centers the projector weight. (See Figure 12)
5. Install thumb nuts to secure yaw adjustment bracket to SLB bracket with projector.
6. Reinstall yaw adjustment bracket with projector to SL236i by setting it in place, and releasing tabs at each end of yaw adjustment bracket. (See Figure 12)

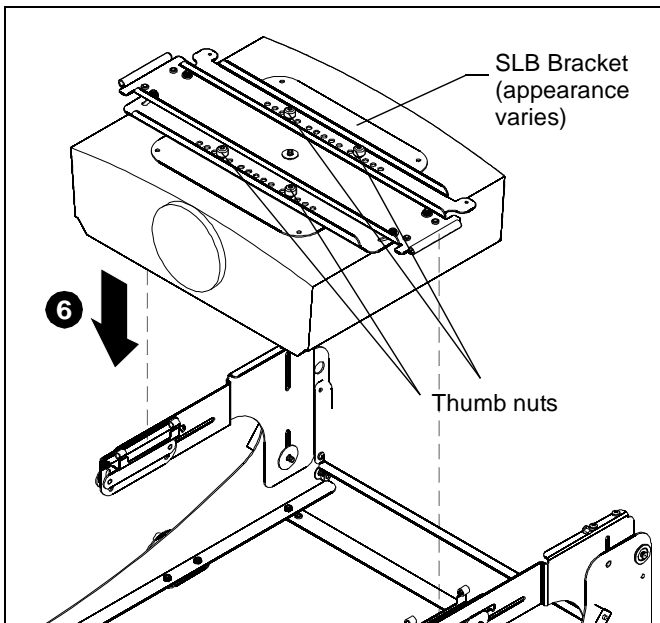


Figure 12

**Adjustments**

1. TRAVEL (SHOW ADJUSTMENT)



**CAUTION:** Do not overadjust (exceed maximum) travel length.

- To adjust the travel of the lift mechanism, insert a Phillips screwdriver into the access hole found at the left rear corner of the lift.

**NOTE:** The access hole may be covered by ceiling tile in the SL236SPi model.

- Shorten travel by turning adjustment screw clockwise one or two turns. Check for desired travel, and repeat as necessary. (See Figure 13)
- Lengthen travel by turning the adjustment screw counter-clockwise one or two turns. Check for desired travel, and repeat as necessary. (See Figure 13)

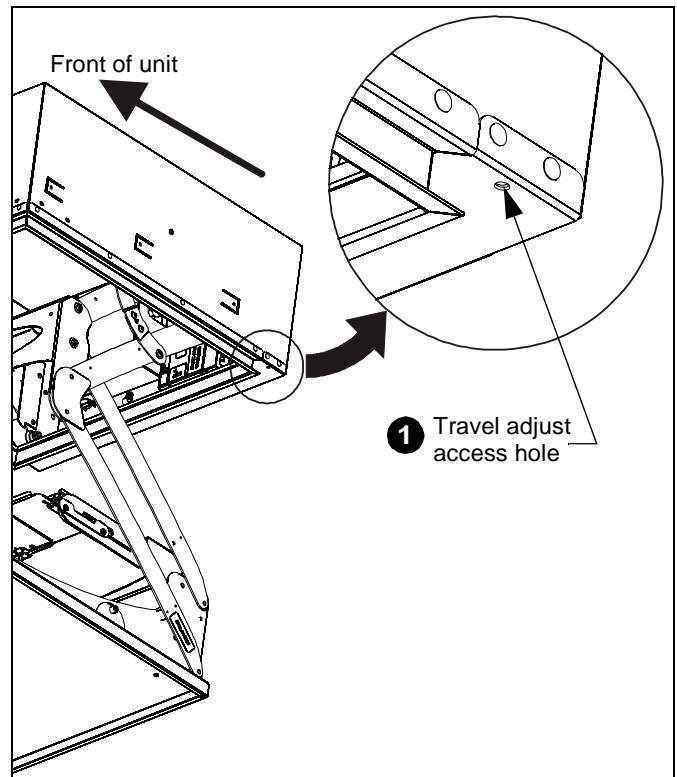


Figure 13

2. FORWARD/BACKWARD and PITCH

- To shift projector backward or forward (or up or down), loosen the nuts on each end of the yaw adjustment bracket. (See Figure 14)
- Move mounting bracket forward or backward (or up or down) as required. The bracket must be adjusted forward/backward equally.
- Tighten nuts. (See Figure 14)

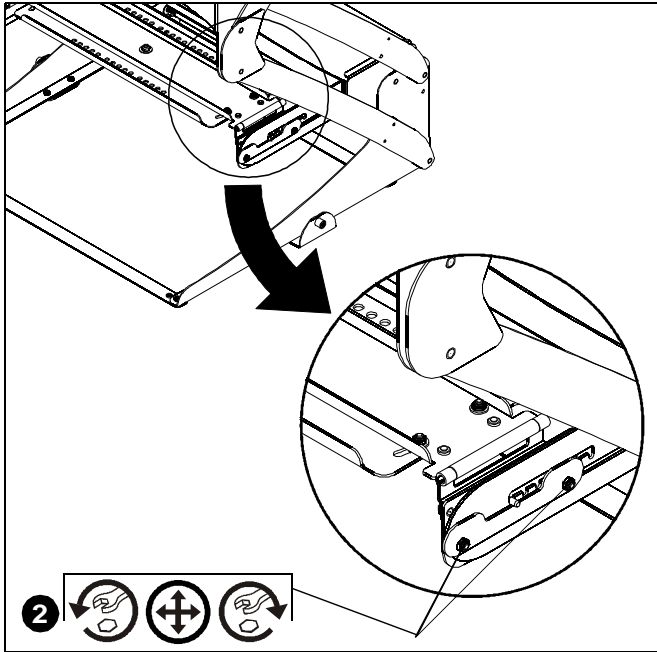


Figure 14

3. YAW (Rotation)

- Adjust one or the other side of the yaw adjustment bracket backward or forward by loosening two nuts on each side. (See Figure 15)
- Adjust bracket as required.
- Tighten nuts. (See Figure 15)

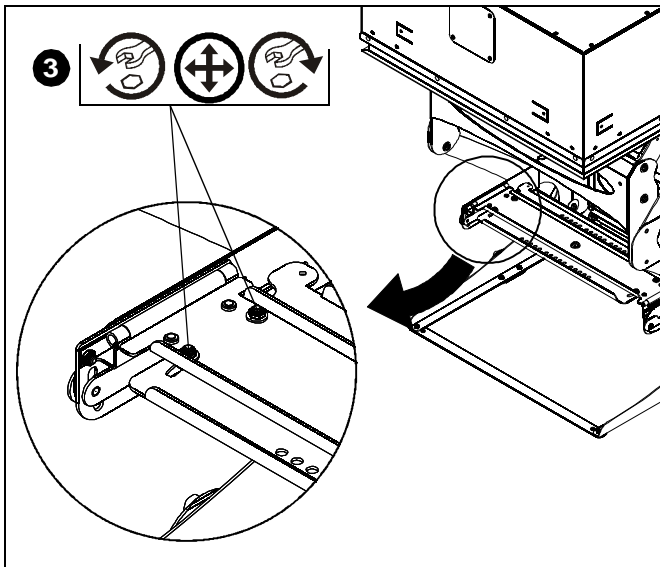


Figure 15

4. ROLL (Horizontal Tilt)

- Shift bracket up or down in the side holes on one side or the other by loosening nuts.
- Adjust and tighten nuts on bracket. (See Figure 16)

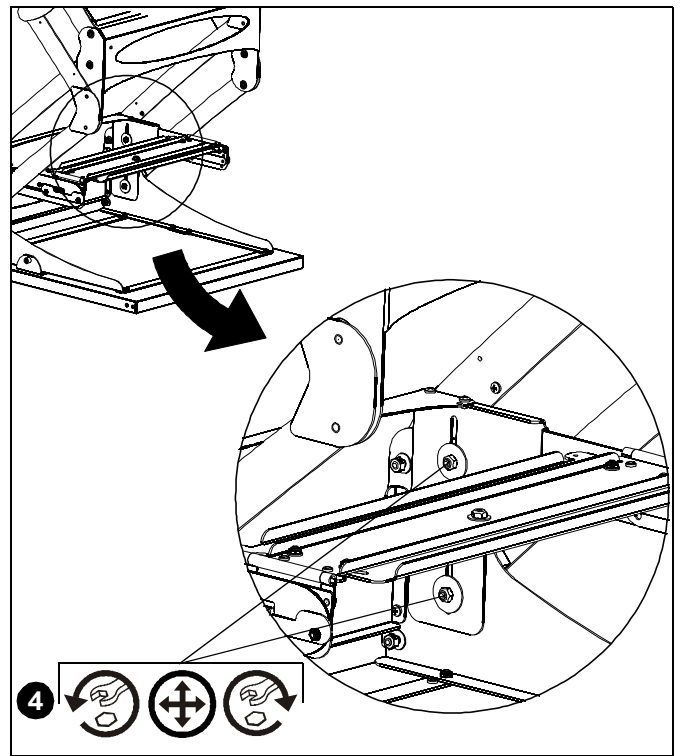


Figure 16

Routing Cables



**CAUTION:** Do NOT attach cables to lower lifting arms or sides of projector bracket. Damage may result when lift is raised.

1. Lower SL236i to service position.
2. Route and secure electrical and video cables using installed cable clips (See Figure 17)
  - Remove nut and open cable clip.
  - Route cable through clip.
  - Close cable clip and fasten with nut.
3. Included mounting tabs (F) and cable ties (C) may also be used for securing cables.



**CAUTION:** SHOCK, INJURY OR DAMAGE TO EQUIPMENT IS POSSIBLE! Avoid placing cables near moving parts and pinch points to avoid damage to the cables. Ensure there is enough slack in the cables to allow for up and down movement of the lift.

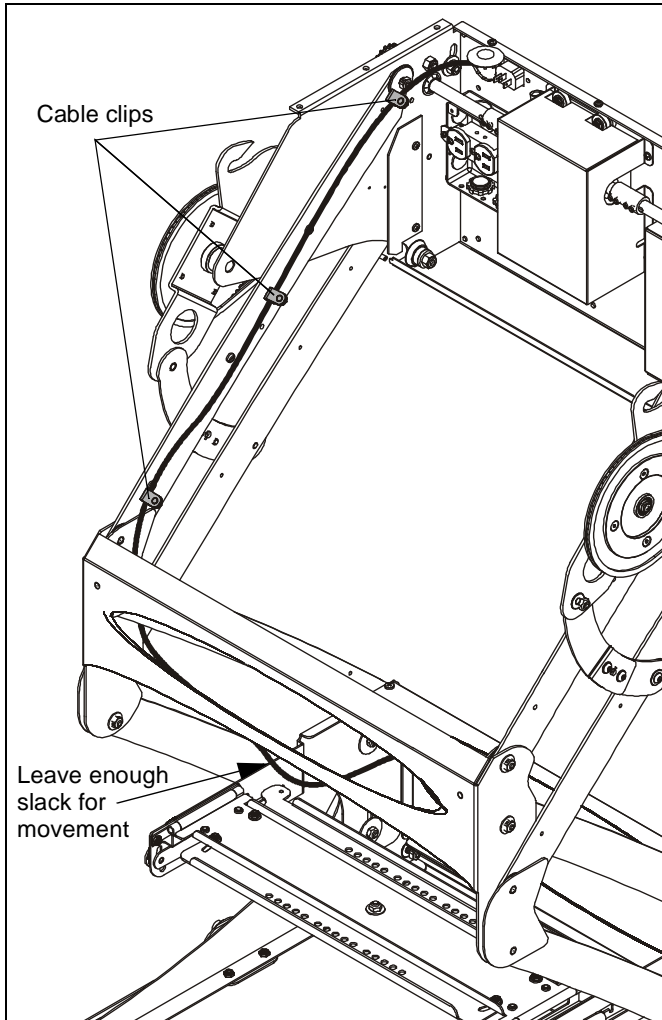
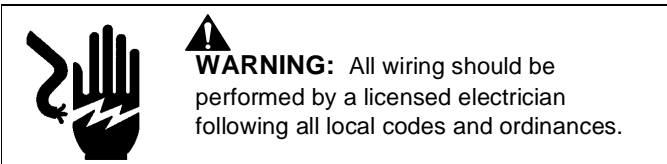


Figure 17

## Connecting Control Wiring



1. Unplug the SL236i's power cord (J) (used for testing).
2. Remove the jumper wire (E) and supplied push button (B) wiring (previously installed in the **Pre-Test Lift before Installation** section) from the external terminal block. (See Figure 3)
3. Connect control wiring following instructions included with the third party automation and control equipment and user-supplied switching devices, and information in Table 1: Wiring Table.

**NOTE:** Any knockouts removed in the SL236i must be replaced with a supplied rubber grommet (H).

4. Feed the video and/or communications cables through the knockout in the rear or top of the lift and connect it to the projector.

**NOTE:** Ensure there is enough slack in the cables to allow for up and down movement of the lift.

5. Secure cables as necessary using supplied mounting pads (F) and cable ties (C).



**CAUTION:** KEEP SL236i OPEN WHILE PROJECTOR IS RUNNING OR IN COOLING MODE! Premature bulb failure or damage to electrical components may occur if lift closes.

**NOTE:** If SL236i is cycled up and down repeatedly the motor's thermal overload protection will stop operation. Operation will resume when the thermal overload resets (usually within 3 to 5 minutes).

## Connecting to Power Supply

### Plenum Rated Installation



**WARNING:** FAILURE TO DISCONNECT AND TERMINATE POWER LEADS PROPERLY MAY RESULT IN PERSONAL INJURY OR EQUIPMENT DAMAGE!! Licensed electrician must disconnect and terminate the leads to the power cord receptacle, and must hard wire the SL236i to a 2-amp power source.

1. Disconnect and remove power inlet from interior junction box.
2. Hardwire unit to a 230V 50 Hz 2-amp power source.

**NOTE:** This unit was designed to have conduit run directly into the back of the interior junction box.

**NOTE:** If installing the SL236i in a drywall ceiling, remove the outside terminal block and cover with plate (D), using four 6-32 x 3/16" Phillips pan head screws (G).

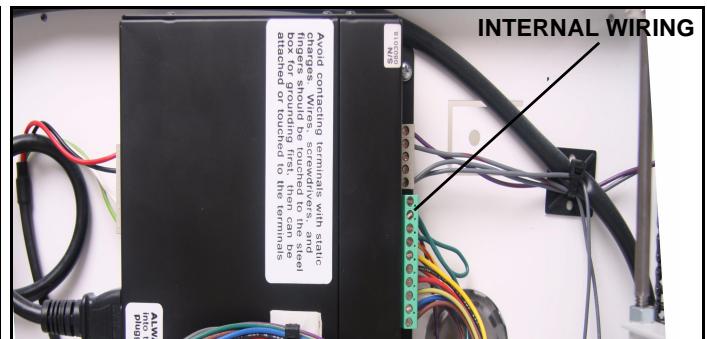
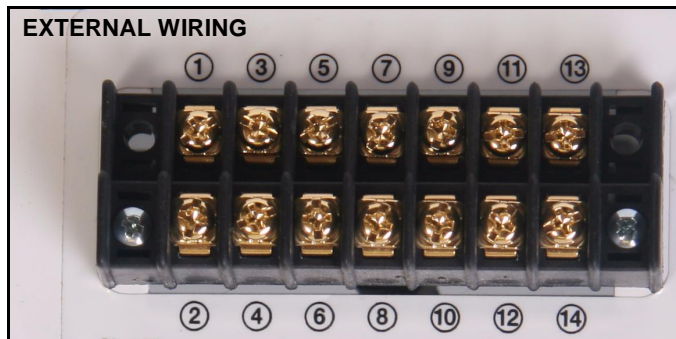
## Wiring Options

**NOTE:** Refer to the Table 1: Wiring Table and (See Figure 18) for information on all wiring options.

**NOTE:** Refer to Table 2: Internal Terminal Descriptions and (See Figure 19) for terminal descriptions, functions and wiring options.

**Table 1: WIRING TABLE**

Accessory\Product	SL-236 Internal	SL-236 External		
Pushbutton (Supplied on some models) (Momentary SPST)	Red	2 (24V AC - Comm)	2 (24V AC - Comm)	
	Black	6 (Extend/Retract - Comm)	5 (Extend/Retract - Comm)	
	Other	Jumper 1 & 5	Jumper 1 & 6	
ASP-401	Up	12 (retract)	3 (retract)	
	Down	11 (extend)	4 (extend)	
	Open	N/A	N/A	
	Close	N/A	N/A	
	Left	N/A	N/A	
	Right	N/A	N/A	
	Common	13 (ground)	9 (ground)	
12V Trigger (will actually work with 5-30V AC or DC)	12V+	7 (trigger +)	N/A	
	Ground	8 (trigger -)	N/A	
IR-10	+12V	4 (12V DC)	10 (12V DC)	
	GND	3 (ground)	9 (ground)	
	C1	12 (retract)	3 (retract)	
	C2	11 (extend)	4 (extend)	
	C3	9 (service)	11 (service)	
	COMM	13 (ground)	9 (ground)	
RC-10	(radio power) - Red	1 (24V AC)	1 (24V AC)	
	(relay) - Black	6 (Extend/Retract - Comm)	5 (Extend/Retract - Comm)	
	(24V) - White	2 (24V AC - Comm)	2 (24V AC - Comm)	
	Other	Jumper 1 & 5	Jumper 1 & 6	
Low Voltage Wall Switch or Relay Control	Up	12 (retract)	3 (retract)	
	Down	11 (extend)	4 (extend)	
	Service	9 (service)	11 (service)	
	Open	N/A	N/A	
	Close	N/A	N/A	
	Sequence (Show Mode)	N/A	N/A	
	Stop	N/A	N/A	
	Left	N/A	N/A	
	Right	N/A	N/A	
	Common	13 (ground)	9 (ground)	
	Error Reversing (contact between error input and common indicates an error and unit reverses direction)	Extend Error	14 (extend error)	8 (extend error)
		Retract Error	15 (retract error)	7 (retract error)
Common		13 (ground)	9 (ground)	
Relay Contacts (relay closes when unit reaches end of travel)	Extend Relay a	16 (extend relay in)	14 (extend relay in)	
	Extend Relay b	17 (extend relay out)	12 (relay out common)	
	Retract Relay a	18 (retract relay in)	13 (retract relay in)	
	Retract Relay b	19 (retract relay out)	12 (relay out common)	



**Figure 18**

**NOTE:** The numbers listed in the **SL236i Internal** and **SL236i External** columns refer to the corresponding numbers located where indicated in the wiring pictures. (See Figure 18)

Table 2: INTERNAL TERMINAL DESCRIPTIONS

TERMINAL NUMBER	FUNCTION	DESCRIPTION	WIRING OPTIONS
1	24 VOLT AC	24 volt AC output	This is an internal power supply for powering external devices & Remote Controllers.
2	24 VOLT AC COMMON	24 volt AC common	
3	GROUND	Ground	
4	12 VOLT DC	12 volt DC	This is an internal power supply for powering external devices &/or used for initiating specific functions
5	ISOLATED EXTEND/RETRACT +	Initiates movement if lift is static, or stops movement if lift is in motion. Direction of travel will be opposite of last direction of travel.	Operating range is 5 – 30 Volts AC or DC
6	ISOLATED EXTEND/RETRACT -	Used in conjunction with Extend/Retract when using an external power source to initiate movement.	NOT TO BE USED AS GROUND FOR FUNCTION OTHER THAN EXTEND/RETRACT TERMINAL 5.
7	ISOLATED VOLTAGE SENSE +	When control senses voltage, unit will extend. When control senses cessation of voltage, unit will retract.	Operating range is 5 – 30 Volts AC or DC
8	ISOLATED VOLTAGE SENSE -	Used in conjunction with Voltage Sensor when using an external power source to initiate movement.	NOT TO BE USED AS GROUND FOR FUNCTION OTHER THAN VOLTAGE SENSOR TERMINAL 7.
9	SERVICE EXTEND	Extends unit to maximum limit, bypassing normal-use travel setting. Often used for servicing projectors in ceiling lifts.	Feature not available on all models.
10	GROUND	Ground	
11	EXTEND	Extends unit to preset travel limit when momentarily connected to ground.	If using Latching Switch, be sure to disengage Switch prior to initiating any other function.
12	RETRACT	Retracts unit to preset travel limit when momentarily connected to ground.	If using Latching Switch, be sure to disengage Switch prior to initiating any other function.
13	GROUND	Ground	
14	EXTEND ERROR	Immediately reverses direction of travel when triggered while unit is extending.	momentary connection to ground initiates error mode
15	RETRACT ERROR	Immediately reverses direction of travel when triggered while unit is retracting.	momentary connection to ground initiates error mode
16	EXTEND LIMIT RELAY +	Closes set of internal dry contacts when unit reaches full extension.	
17	EXTEND LIMIT RELAY -		
18	RETRACT LIMIT RELAY +	Closes set of internal dry contacts when unit reaches full retraction.	
19	RETRACT LIMIT RELAY -		
20	GROUND	Ground	

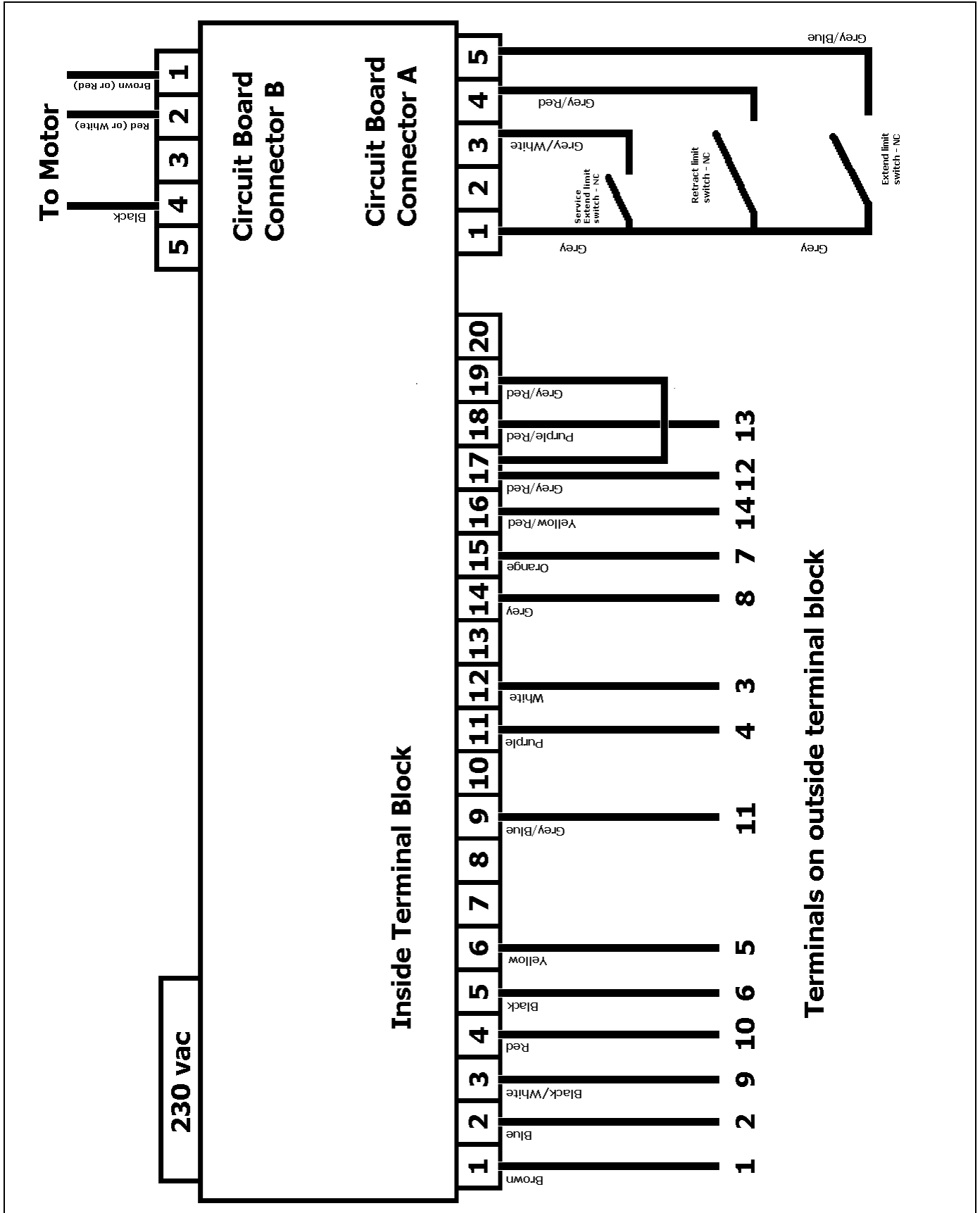


Figure 19



## MANUFACTURERS DECLARATION OF CONFORMITY

For

**Product identification:**

Model/type : SL236FDI, SL236SPI  
 Category (description) : Mounting devices, Stands and other Accessories, to be used with entertainment electronics  
 Brand : Chief

**Manufacturer:** Milestone AV Technologies  
 8401 Eagle Creek Parkway  
 Savage, MN 55378

**EU Representative:** Milestone AV Technologies  
 Fellenoord 130 5611  
 ZB Eindhoven  
 The Netherlands  
 31 (0)20 5708923

Concerning		
	EMC	Safety
<b>A sample of the product has been tested by:</b>	TUV SUD America	TUV SUD America, Inc
<b>Test report reference</b>	WC604617.1	Certificate: Z1 11 03 60473 038, Test Report: 092-1006623-000
<b>Applied standards</b>	EN 61000-6-3:2007 EN 61000-3-2:2006 EN 61000-3-3:2006 EN 61000-6-1:2007	IEC 60065:2001 +A1:2005 EN 60065:2001 +A1:2006 +A11:2008

**Means of conformity**

We declare under our sole responsibility that this product is in conformity with Directive 93/68/EEC (Marking), 98/37/EC (Machinery) 2001/95/EC (Safety) 2006/95/EC (LVD) and/or complies to the essential requirements and all other relevant provisions of the based on test results using (non)harmonized standards in accordance with the Directives mentioned











Our Mounts. **Your Vision.**

Chief Manufacturing, a products division  
of Milestone AV Technologies

8820-002033 Rev00  
©2011 Milestone AV Technologies, a  
Duchossois Group Company  
[www.chiefmfg.com](http://www.chiefmfg.com)  
05/11

<b>USA/International</b>	<b>A</b> 8401 Eagle Creek Parkway, Savage, MN 55378 <b>P</b> 800.582.6480 / 952.894.6280 <b>F</b> 877.894.6918 / 952.894.6918
<b>Europe</b>	<b>A</b> Fellenoord 130 5611 ZB EINDHOVEN, The Netherlands <b>P</b> +31 (0)40 2668620 <b>F</b> +31 (0)40 2668615
<b>Asia Pacific</b>	<b>A</b> Office No. 1 on 12/F, Shatin Galleria 18-24 Shan Mei Street Fotan, Shatin, Hong Kong <b>P</b> 852 2145 4099 <b>F</b> 852 2145 4477

