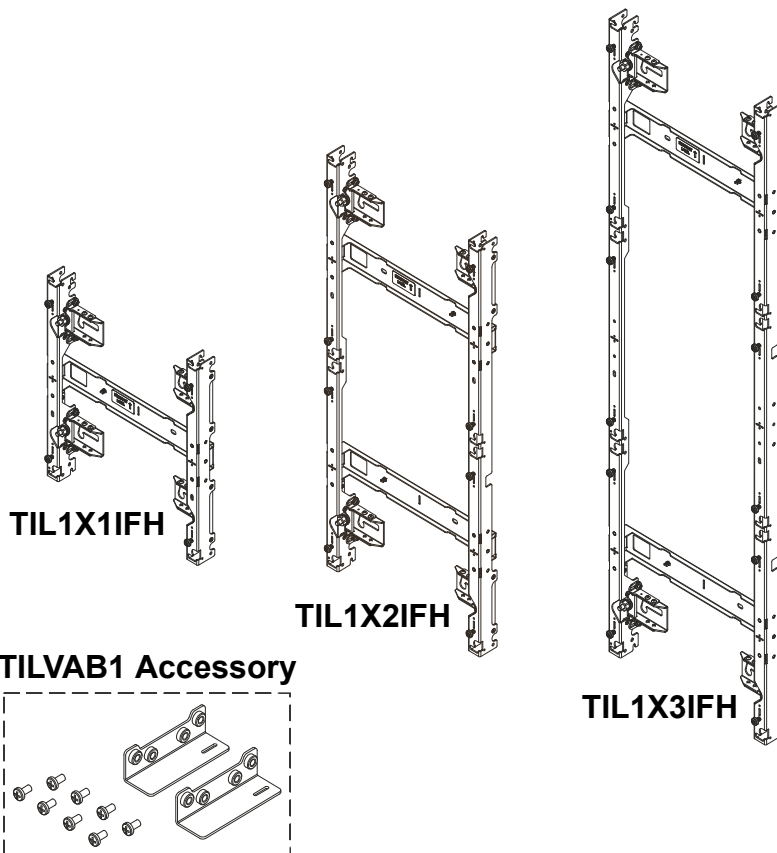


INSTALLATION INSTRUCTIONS



IFH Series LED Wall Mounts / Accessory

DISCLAIMER

Legrand | AV and its affiliated corporations and subsidiaries (collectively "Legrand | AV"), intend to make this manual accurate and complete. However, Legrand | AV makes no claim that the information contained herein covers all details, conditions or variations, nor does it provide for every possible contingency in connection with the installation or use of this product. The information contained in this document is subject to change without notice or obligation of any kind. Legrand | AV makes no representation of warranty, expressed or implied, regarding the information contained herein. Legrand | AV assumes no responsibility for accuracy, completeness or sufficiency of the information contained in this document.

Chief® is a registered trademark of Legrand AV Inc.

DEFINITIONS

MOUNTING SYSTEM: A MOUNTING SYSTEM is the primary Chief product to which an accessory and/or component is attached.

ACCESSORY: AN ACCESSORY is the secondary Chief product which is attached to a primary Chief product, and may have a component attached or setting on it.

COMPONENT: A COMPONENT is an audiovisual item designed to be attached or resting on an accessory or mounting system such as a video camera, CPU, screen, display, projector, etc.



WARNING: A WARNING alerts you to the possibility of serious injury or death if you do not follow the instructions.



CAUTION: A CAUTION alerts you to the possibility of damage or destruction of equipment if you do not follow the corresponding instructions.



IMPORTANT SAFETY INSTRUCTIONS



WARNING: Failure to read, thoroughly understand, and follow all instructions can result in serious personal injury, damage to equipment, or voiding of factory warranty! It is the installer's responsibility to make sure all mounting systems are properly assembled and installed using the instructions provided.



WARNING: Failure to provide adequate structural strength for this mounting system can result in serious personal injury or damage to equipment! It is the installer's responsibility to make sure the structure to which this mounting system is attached can support five times the combined weight of all equipment. Reinforce the structure as required before installing the mounting system. The wall to which the mounting system is being attached may have a maximum drywall thickness of 5/8" (1.6cm).



WARNING: The TIL1X1IFH / TIL1X2IFH / TIL1X3IFH LED wall mounts are designed for use with LED panels only. Exceeding the weight capacity (listed) can result in serious personal injury or damage to equipment!

- TIL1X1IFH: 20 lbs (9.1 kg) - 20 lbs (9.1 kg) per screen;
- TIL1X2IFH: 40 lbs (18.1 kg) - 20 lbs (9.1 kg) per screen;
- TIL1X3IFH: 60 lbs (27.2 kg) - 20 lbs (9.1 kg) per screen.



WARNING: Use this mounting system only for its intended use as described in these instructions. Do not use attachments not recommended by the manufacturer.



WARNING: Never operate this mounting system if it is damaged. Return the mounting system to a service center for examination and repair.



WARNING: Do not use this mounting system outdoors.

IMPORTANT ! : The TIL1X1IFH / TIL1X2IFH / TIL1X3IFH LED wall mounts are designed to be mounted to:

- a bare 8" concrete or 8"x8"x16" concrete block wall; or
- a 3/4" thickness plywood-backed, 2" x 4" wood studs (16" on center minimum) wall with a maximum drywall thickness of 5/8"; or
- a 3/4" thickness plywood-backed, steel stud wall covered with drywall having a maximum thickness of 5/8".

--SAVE THESE INSTRUCTIONS--

LEGEND

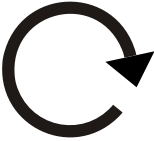

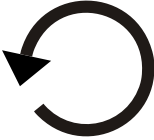









	<p>Tighten Fastener</p> <p>Apretar elemento de fijación</p> <p>Befestigungsteil festziehen</p> <p>Apertar fixador</p> <p>Serrare il fissaggio</p> <p>Bevestiging vastdraaien</p> <p>Serrez les fixations</p>		<p>Pencil Mark</p> <p>Marcar con lápiz</p> <p>Stiftmarkierung</p> <p>Marcar com lápis</p> <p>Segno a matita</p> <p>Potloodmerkteken</p> <p>Marquage au crayon</p>
	<p>Loosen Fastener</p> <p>Aflojar elemento de fijación</p> <p>Befestigungsteil lösen</p> <p>Desapertar fixador</p> <p>Allentare il fissaggio</p> <p>Bevestiging losdraaien</p> <p>Desserrez les fixations</p>		<p>Drill Hole</p> <p>Perforar</p> <p>Bohrloch</p> <p>Fazer furo</p> <p>Praticare un foro</p> <p>Gat boren</p> <p>Percez un trou</p>
	<p>Phillips Screwdriver</p> <p>Destornillador Phillips</p> <p>Kreuzschlitzschraubendreher</p> <p>Chave de fendas Phillips</p> <p>Cacciavite a stella</p> <p>Kruiskopschroevendraaier</p> <p>Tournevis à pointe cruciforme</p>		<p>Adjust</p> <p>Ajustar</p> <p>Einstellen</p> <p>Ajustar</p> <p>Regolare</p> <p>Afstellen</p> <p>Ajuster</p>
	<p>Open-Ended Wrench</p> <p>Llave de boca</p> <p>Gabelschlüssel</p> <p>Chave de bocas</p> <p>Chiave a punte aperte</p> <p>Steeksleutel</p> <p>Clé à fourche</p>		<p>Remove</p> <p>Quitar</p> <p>Entfernen</p> <p>Remover</p> <p>Rimuovere</p> <p>Verwijderen</p> <p>Retirez</p>
	<p>By Hand</p> <p>A mano</p> <p>Von Hand</p> <p>Com a mão</p> <p>A mano</p> <p>Met de hand</p> <p>À la main</p>		<p>Optional</p> <p>Opcional</p> <p>Optional</p> <p>Opcional</p> <p>Opzionale</p> <p>Optie</p> <p>En option</p>
	<p>Hex-Head Wrench</p> <p>Llave de cabeza hexagonal</p> <p>Sechskantschlüssel</p> <p>Chave de cabeça sextavada</p> <p>Chiave esagonale</p> <p>Zeskantsleutel</p> <p>Clé à tête hexagonale</p>		<p>Security Wrench</p> <p>Llave de seguridad</p> <p>Sicherheitsschlüssel</p> <p>Chave de segurança</p> <p>Chiave di sicurezza</p> <p>Veiligheidsleutel</p> <p>Clé de sécurité</p>

TABLE OF CONTENTS

IMPORTANT SAFETY INSTRUCTIONS	2
LEGEND	3
TABLE OF CONTENTS	4
TOOLS REQUIRED FOR INSTALLATION	5
PARTS	5
PRE-INSTALLATION	6
Site Assessment	6
INSTALLATION	7
Adding Vertical Connector Kit	7
If Starting LED Wall Installation With the Top Row.....	7
If Starting LED Wall Installation With the Bottom Row.....	7
Assessing the Installation Site	8
Installing First Mount	8
Adding Additional Mounts	11
Checking Placement and Alignment	13
Connecting Mounts Above or Below First Row	15
Fastener Installation Methods	17
Site Requirements for Wood or Steel Stud Installation	19
DIMENSIONS	20

TOOLS REQUIRED FOR INSTALLATION

<p>Level [2 ft. long] [4+ ft. long] [6+ ft. long]</p> <p>[Small level]</p> <p>square drive ratcheting wrench</p>	<p>Hardware Required - not included (for installation into steel stud walls)</p> <ol style="list-style-type: none"> Chief brand FCAT1 Toggler Kit; OR Hardware for installation to steel stud wall: <ul style="list-style-type: none"> 1/4-20 Toggler Snaptoggle BB (Qty 4) 1/4-20 x 2-1/2" hex head bolt (Qty 4) 1/4" washer (Qty 4) 						
<p>Bright colored string</p> <p>3/4" (19mm) deep well socket</p>	<p>Additional Suggestions</p> <table border="0"> <tr> <td>1. Dead blow hammer</td> <td>4. Ratcheting wrenches</td> </tr> <tr> <td>2. Masking tape</td> <td>5. Laser level</td> </tr> <tr> <td>3. Offset screwdrivers</td> <td>6. Tools required for LED panels installation. Most likely metric.</td> </tr> </table>	1. Dead blow hammer	4. Ratcheting wrenches	2. Masking tape	5. Laser level	3. Offset screwdrivers	6. Tools required for LED panels installation. Most likely metric.
1. Dead blow hammer	4. Ratcheting wrenches						
2. Masking tape	5. Laser level						
3. Offset screwdrivers	6. Tools required for LED panels installation. Most likely metric.						

PARTS

<p>Mounting Hardware Kit</p> <p>A (1) [Adjustment washer-RIGHT]</p> <p>B (1) [Adjustment washer-LEFT]</p> <p>C (4) [UX10x60R anchor]</p> <p>D (4) 5/16 x 2-1/2"</p> <p>E (4) 5/16"</p>	<p>F (4/6/8) #10 x 1/2"</p> <p>G (4/8/12) 10-24 x 5/8"</p> <p>H (2/4/6) 1/4-20 x 1/2"</p> <p>*Quantities above listed as: TIL1X1IFH / TIL1X2IFH / TIL1X3IFH</p>
<p>TILVAB1 Vertical Connector Kit [Sold separately]</p> <p>K (8) 1/4-20 x 1/2"</p> <p>L (2) [Vertical connector]</p>	<p>J (1) TIL1X1IFH</p> <p>OR</p> <p>J (1) TIL1X2IFH</p> <p>OR</p> <p>J (1) TIL1X3IFH</p>

PRE-INSTALLATION

IMPORTANT ! : Reference the LED screen installation manual for specific instructions regarding care, handling, cabling and installation of the LED screens.



CAUTION: Handle the LED screens with care, being careful to not impact or drop the LED screen.



CAUTION: There is a magnetic surface on the front of the LED screen. To prevent damage ensure that no metallic object is pulled onto the LED screen.

NOTE: When planning the installation, remember the requirement to run power and signal to the video wall. Ensure there is also adequate clearance for the plug head. Recessed outlets or angled plugs may be required.

Site Assessment

Before beginning any installation the site should be assessed in several areas to help avoid any issues during the actual installation.

- **Wall Structure** - It is recommended that a 3/4" furniture-grade plywood-backed wall be used in most LED video walls. The use of a wood stud wall is not appropriate since the studs won't be in the proper location for an LED video wall.
- **Wall High/Low Points** - Locate any high or low points on the wall that may cause problems, and try to set up install so that these points can be avoided, if possible.
- **Flatness/Plumb of Wall** - Learn how much depth adjustment will be needed across the LED video wall mounting area.
- **Power/Cable** - Locate all power outlets and cable access holes that need to be cleared by the installation. Plan appropriately for those holes.
- **Installing in a Recess** - Verify the level and squareness of the recessed area. Since these areas are rarely perfect you may need to decide what to use as a reference point.
 - The recess top or bottom may not be level so the video wall may need to be installed to align with the recess, rather than being level with the wall.
 - If the recess is not square the sides may make the recess look crooked. If possible, the recess should be fixed. If repairing the recess isn't an option it may be best to "split the difference" between the recess sides to make the video wall appear level.
- **Where to Begin the Video Wall** - The installer should make the decision whether the video wall will be started at the top, bottom, left, right or center.
 - If a lower bottom reference is given in the specifications, it may make sense to start at the bottom of the video wall to ensure that this specification is met from the start of installation.
 - If building inside of a recess, it may be easier to start in the center of the space since the video wall will most likely need to be centered within the recess.
- **Vertical Connector Brackets** - If creating a video wall with more than a single row you will be using the TILVAB1 vertical connectors which are sold separately.

- **Vertical Connector Brackets [sold separately]** If the video wall requires multiple rows, decide on whether the installation will start with the top or bottom row. This determines to which end (top or bottom) the vertical connector brackets are attached.



Just a tip - For larger LED walls it is helpful to check placement and alignment of the mounts by putting a few cabinets without the LED's in place in the bottom row of the installed mounts (referencing the LED screen installation manual for specific instructions) during the mount installation, verifying that everything is staying aligned and level, and then continuing the mount installation.



Just a tip - The horizontal slots located along the vertical mount pieces (and vertical slots located along the horizontal mount pieces) are the center-of-screen indicators to illustrate where the center of each LED screen will be located, and can be used to hold a tape measure tab while measuring. (See Figure 1)

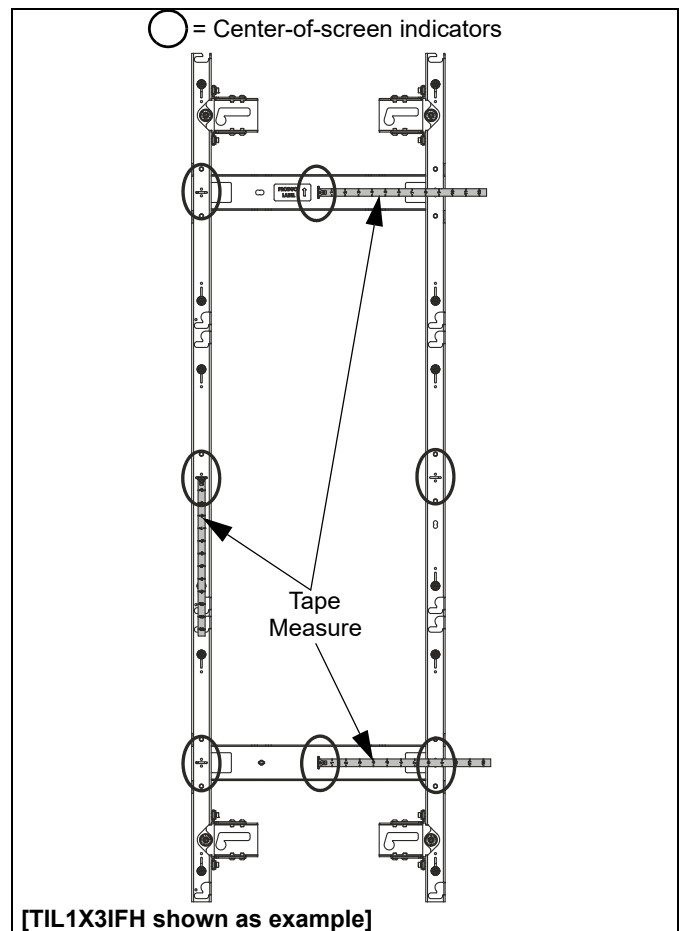


Figure 1

INSTALLATION

Adding Vertical Connector Kit

NOTE: If more LED screens will need to be added to the top or bottom of the screen configuration, add TILVAB1 vertical connector kit to top or bottom of wall mount using the following instructions. If you are NOT adding the TILVAB1 connector kit, proceed to **Installing First Mount** section.

IMPORTANT ! : Install the vertical connector kit **BEFORE** the mounts are attached to the wall.

If Starting LED Wall Installation With the Top Row

NOTE: If you're starting the installation at the top of the LED video wall, the vertical connector brackets should be attached to the **BOTTOM** of the mounts to create the top row and each successive lower row.

1. Slide the vertical connector (L) up from the bottom of the mount, and attach with two 1/4-20 x 1/2" Phillips pan head screws (K) per vertical connector. (See Figure 2)
2. Loosely install one 1/4-20 x 1/2" Phillips pan head screw (K) in the upper screw hole at the bottom of each vertical connector (L). (See Figure 2)

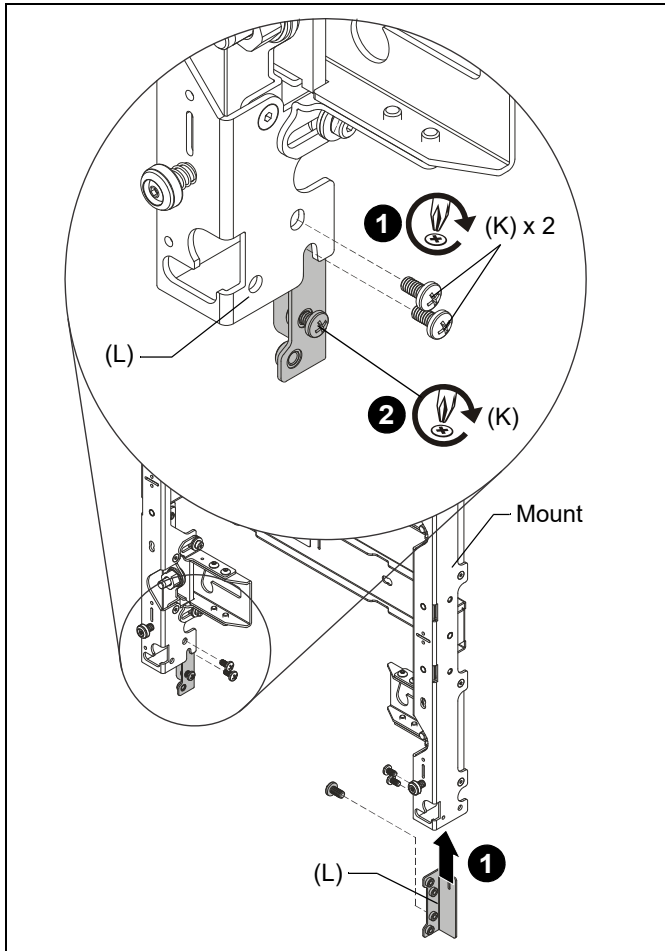


Figure 2

If Starting LED Wall Installation With the Bottom Row

NOTE: If you're starting the installation at the bottom of the LED video wall, the vertical connector brackets should be attached to the **TOP** of the mounts to create the bottom row and each successive upper row.

1. Slide the vertical connector (L) down from the top of the mount, and attach with two 1/4-20 x 1/2" Phillips pan head screws (K) per vertical connector. (See Figure 3)
2. Loosely install one 1/4-20 x 1/2" Phillips pan head screw (K) in the lower screw hole at the top of each vertical connector (L). (See Figure 3)

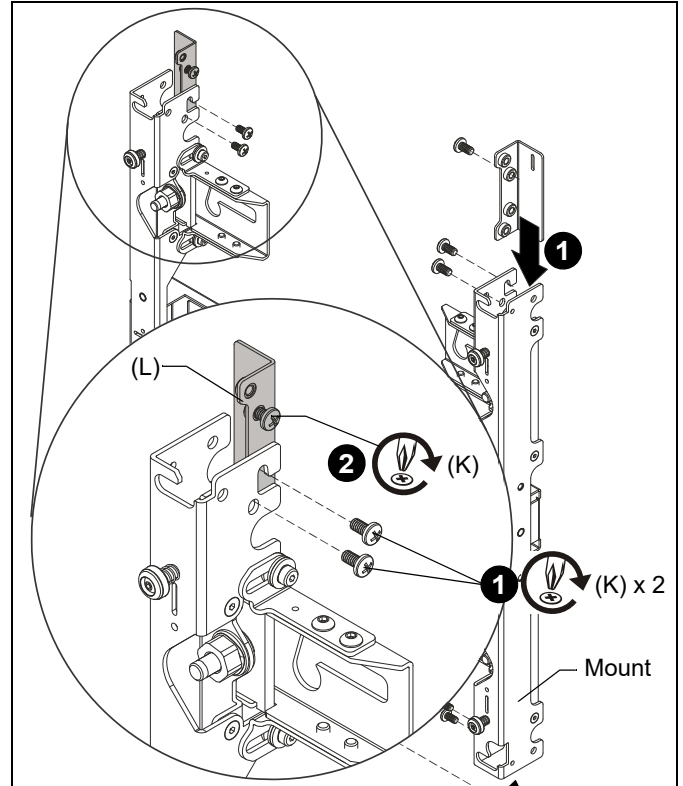


Figure 3

Assessing the Installation Site

IMPORTANT ! : The top of the LED panel is 4.5" above the top of the **UPPER** mounting slots, and the bottom of the LED panel is 5.25" below the top of the **LOWER** mounting slots. (See Figure 4)

NOTE: If desired, the mount installation may be started in the middle of the video wall, attaching mounts out from the center to the left and right ends. (Review **Site Assessment** section for further information.) Installation on smaller walls may be easier if started at the left or right side of the video wall using the following instructions.

Just a tip - It is often a good idea to review installation instructions and dimensional drawings (at end of instructions), and then utilize masking tape to lay out the entire LED video wall to lessen the chance of any surprises later in the installation.

1. Determine top or bottom panel height location and horizontal placement of mounts. (See Figure 4)
2. Make a mark 4.5" **below** the planned top edge (or 5.25" **above** the planned lower edge of the LED wall. (See Figure 4)
3. Using a level, mark a horizontal line across width of LED wall from the mark made in Step 2.

NOTE: This line will be located at the top of the mounting slots across the width of the LED video wall. The oversize mounting slots will allow some upward adjustment as needed. (See Figure 4)

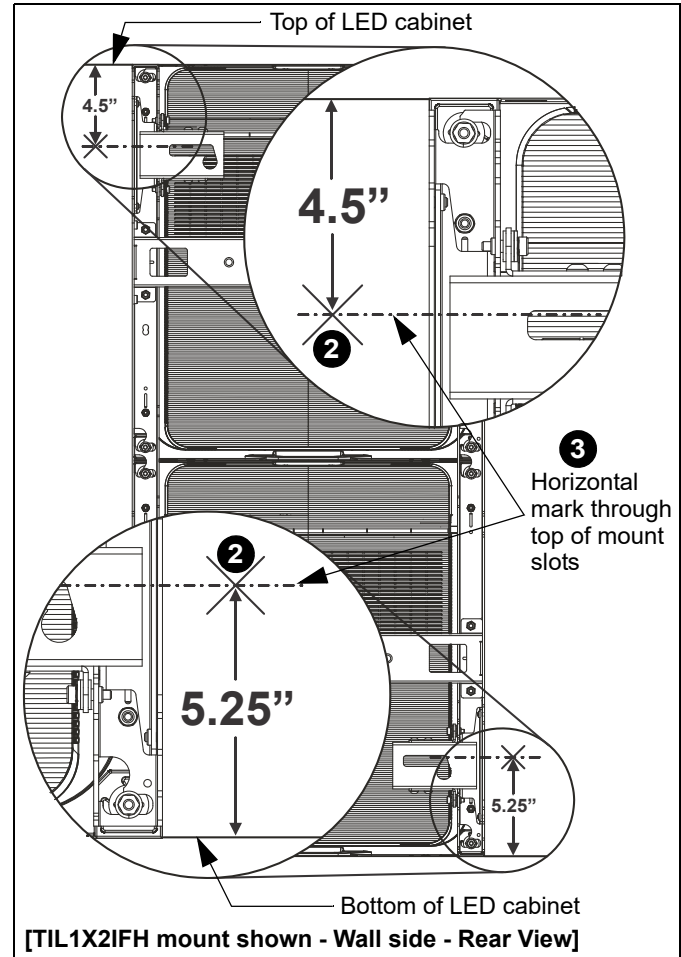


Figure 4

Installing First Mount

The TIL1X1IFH / TIL1X2IFH / TIL1X3IFH LED wall mounts are designed to be mounted to:

- a bare 8" concrete wall or 8"x8"x16" concrete block wall; or
- a 3/4" thickness plywood-backed, 2" x 4" wood studs (16" on center minimum) wall with a maximum drywall thickness of 5/8"; or
- a 3/4" thickness plywood-backed, steel stud wall covered with drywall having a maximum thickness of 5/8".

Table 1: Fastener Information

WALL TYPE	PILOT HOLE	FASTENERS (see PARTS drawing)
Drywall attached to plywood-backed walls / Steel studs	1/2"	- 1/4-20 x 2-1/2" hex head lag (not included) - 1/4" washer (not included) - 1/4-20 Toggler Snaptoggle BB (not included)
Drywall attached to plywood-backed walls / Wood studs	7/32" x 3"	- 5/16 x 2-1/2" flanged hex head lag (D) - 5/16" washer (E) - Adjustment washers (A, B)
Concrete or concrete block	3/8" x 3"	- 5/16 x 2-1/2" flanged hex head lag (D) - 5/16" washer (E) - Adjustment washers (A, B) - Fischer Anchor UX10x60R (C)

- Partially install two lag screws into wall, but do NOT completely tighten to wall. (See Figure 6)

NOTE: Utilizing the two adjustment washers (A, B) allows the installer to pre-install the top mounting fasteners and hang the mount from them utilizing the mounting slots. This allows the weight of the mount to be held by the mounting bolts during installation, and not the installer.

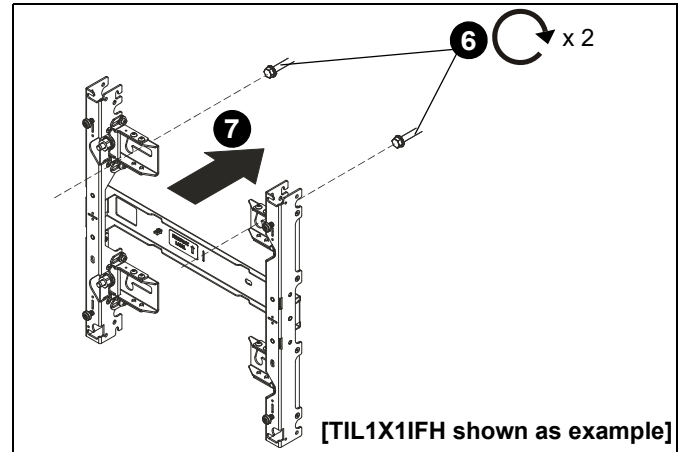


Figure 6

- Make final decision on where to begin the LED video wall installation (left, right or center; and top or bottom).
- Make sure the vertical connectors are attached to top or bottom depending on installation decision.
- Place mount against wall matching the top of the mounting slots with the horizontal line previously drawn.
- Mark mounting holes in two top mounting slots along the horizontal line marked in Step 3 of **Assessing the Installation Site** section. (See Figure 5)

NOTE: The mounting holes are 12.55" apart on-center. (See Figure 5)

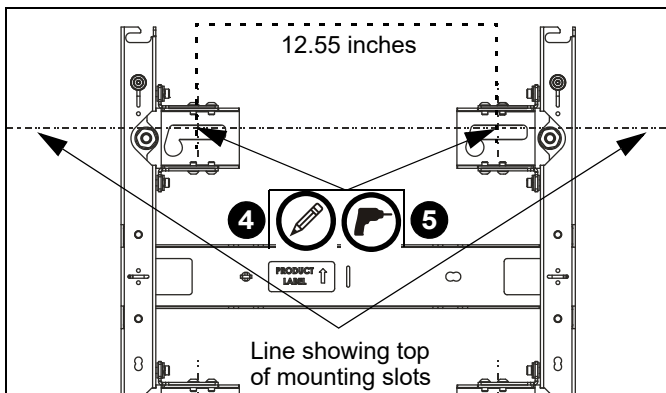


Figure 5

- Drill two pilot holes (see Table 1 for size) at each location marked in Step 4 (See Figure 5) and follow fastener information (appropriate for wall type) located in Table 1.

IMPORTANT ! : Refer to **Fastener Installation Methods** (located in **Appendix** at end of Installation Instructions) for details on installing product into various wall types.

- Hang wall mount, aligning upper mounting slots over fasteners, and adjust side-to-side for proper location. (See Figure 6)
- Place a level across front of the mount at bottom of teardrop slots. (See Figure 7)
- Check the level of the mount at the teardrop slots. (See Figure 7)

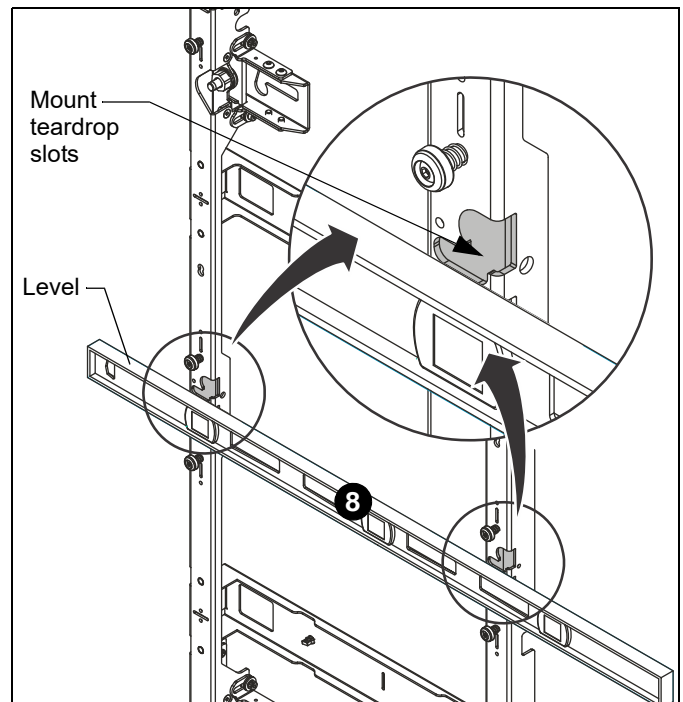


Figure 7

- Slide the left (B) and right adjustment washers (A) into place behind the partially installed lag screws. (See Figure 8)

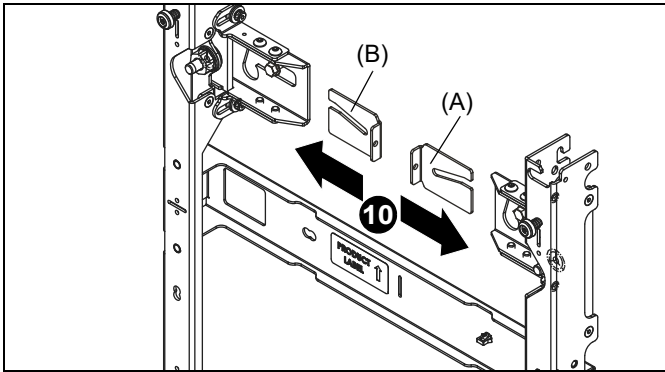


Figure 8

- Check the level of the mount at the bottom of the teardrop slots. (See Figure 9)
- If the mount is not level, slide or use a dead blow hammer to lightly tap the spacer into place. This will lift the mount up as the lag screw rides in the washer's angled slot. (See Figure 9)

Just a tip - Tighten down the lag screw on the side that does **NOT** need to be raised. This creates a pivot point for when the opposite adjustment washer is tapped into place, and allows that correct side of the mount to move up.

- When the mount is leveled, tighten the lag screws (D). (See Figure 9)

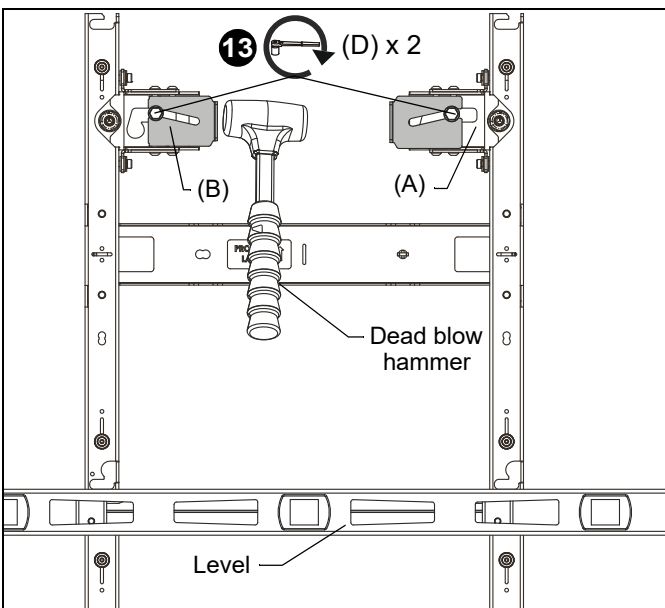


Figure 9

- Drill pilot holes in centerline of lower slots (see Table 1 for size) and follow fastener information (appropriate for wall type) located in Table 1. (See Figure 10)

- Double check the level of the mount at the center-of-screen indicators. (See Figure 10)
- Fully tighten the 5/16 x 2-1/2" lag screws (K) through the 5/16" fender washers (L). (See Figure 10)

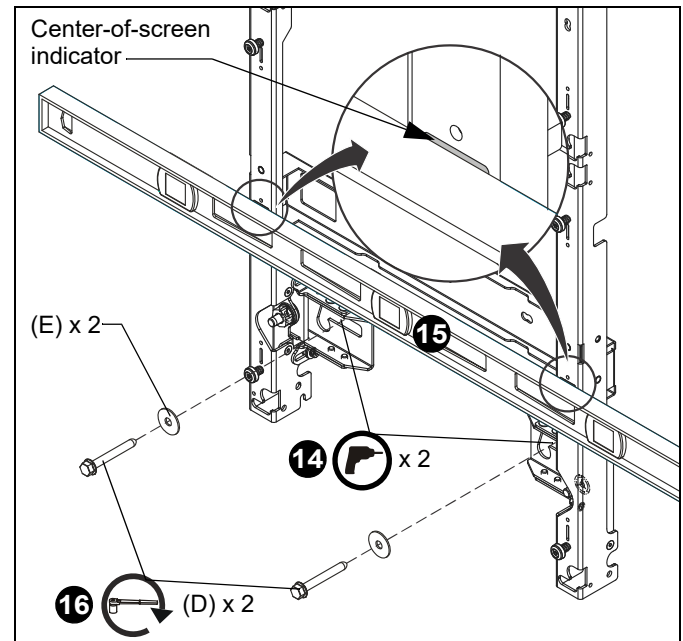


Figure 10

Just a tip - After the first mount is installed, it may be easier to adjust the plumb at this time. If a lot of adjustment is going to be necessary it's best to adjust it right away to avoid any twist or tension on the mount.

- Using a level on the front of the mount in various places, use a 3/4" or 19mm deep-well socket and square drive ratcheting wrench to adjust the leveling feet on the mount until the mount is plumb or even with something that is being used as a reference point. (See Figure 11)



CAUTION: Over-torquing may cause damage. Do NOT use a drill to make the depth adjustment.

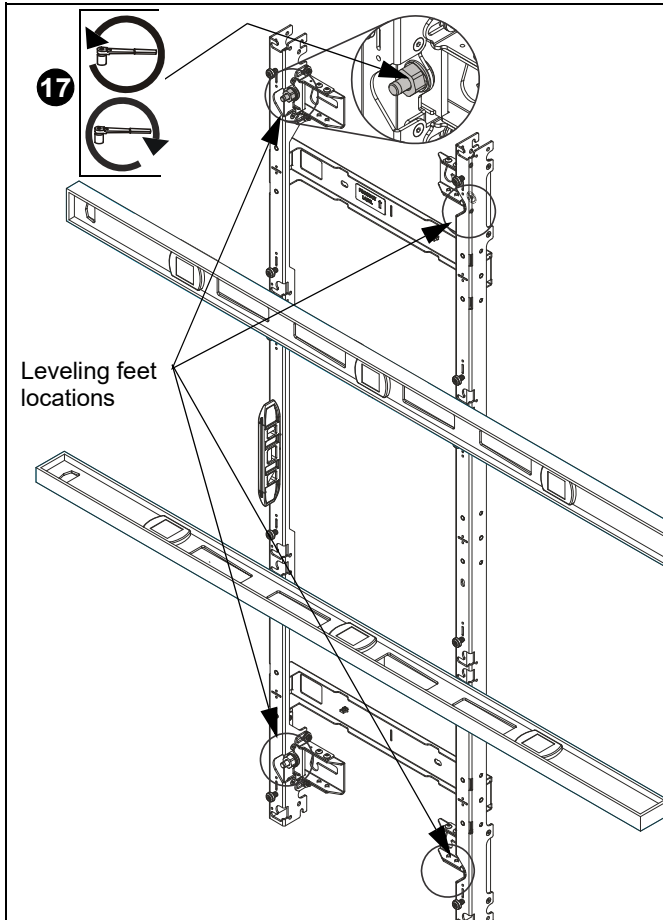


Figure 11

Adding Additional Mounts

- Partially install one 1/4-20 x 1/2" Phillips head screw (H) into lower fastener hole in each mid-screen area on the right side of mount. (See Figure 12)

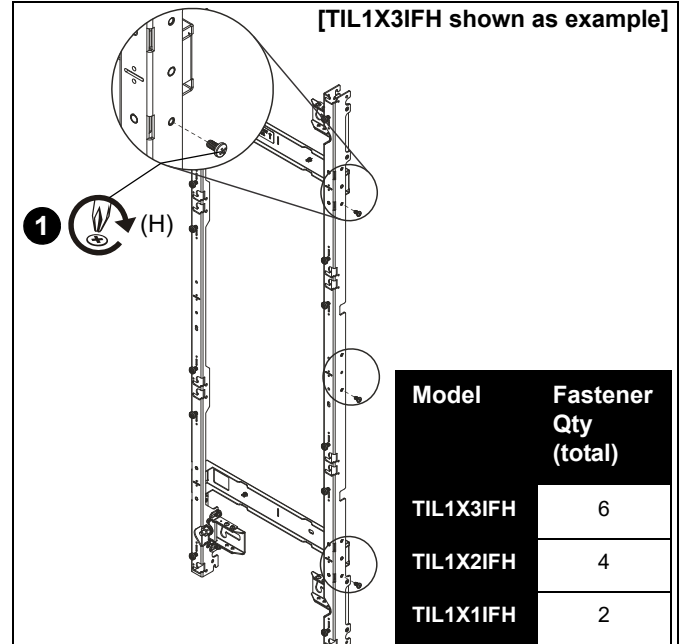


Figure 12

- Hang the second mount (using lower teardrop slots on the left side) onto the fasteners installed in Step 1. (See Figure 13)
- Level mount then insert and tighten fasteners through teardrop slots above each of the fasteners installed in Step 1. (See Figure 13)

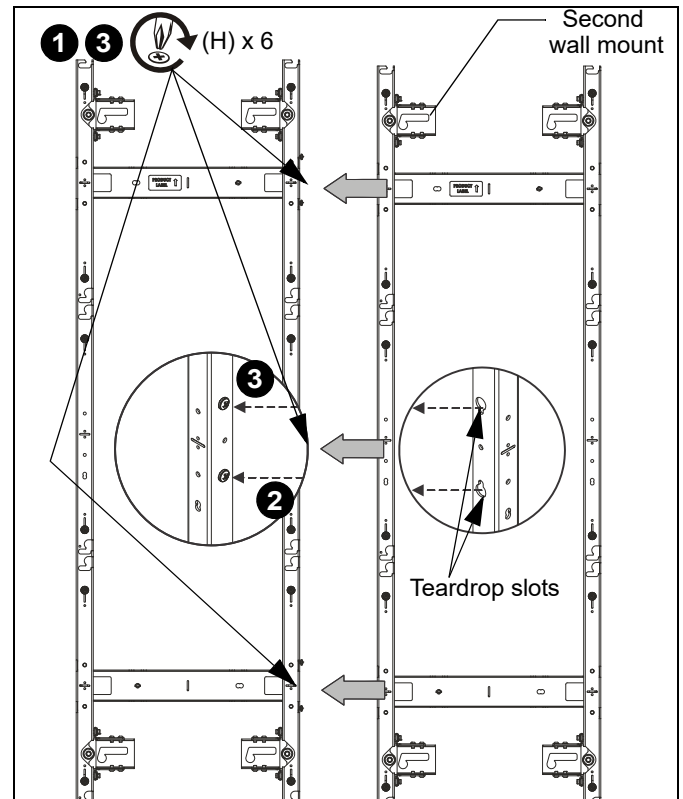



Figure 13

 **Just a tip** - The plumb on these mounts at this point doesn't have to be perfect. Final adjustments can be done once all the mounts are installed. Checking and adjusting plumb at this point ensures the mounts are closely aligned on the same plane to prevent the mount from twisting or bending when the lag screws are installed.

4. Drill pilot holes towards top and in centerline of upper mounting slots on second mount (see Table 1 for size) and follow fastener information (appropriate for wall type) located in Table 1. (See Figure 14)

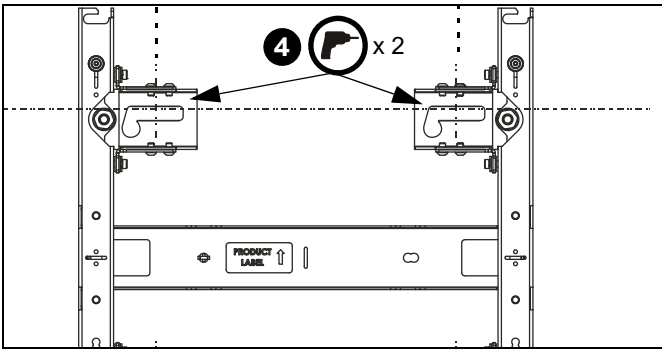



Figure 14

 **Just a tip** - The lag screws need to be at the top of the mounting slot to allow the mount to be raised slightly, if needed, to align it with the previously installed mount.

5. Hang second wall mount, aligning upper mounting slots over fasteners, and adjust side-to-side for proper location.
6. Slide the left (B) and right adjustment washers (A) into place behind the partially installed lag screws.
7. Slightly loosen the side connector screws, upper and lower, prior to adjusting the mount height. (See Figure 12)
8. Place a level across front of the mount at bottom of teardrop slots and check that mounts are level and in line with each other.
9. If mount needs to be raised: use the adjustment washers to raise the second mount.
10. Re-tighten connector screws, upper and lower. (See Figure 12)
11. Drill lower pilot holes at the center both vertically and horizontally within lower mounting slots and use same fasteners used at top of mount.
12. Continue installation of mounts in this manner until the row is complete.

Checking Placement and Alignment

1. The holes around slots on the mounts can be used for the included #10 x 1/2" self-tapping screws (F) to help attach a string to help in aligning and plumbing the mounts.

NOTE: There are multiple points on each mount where the screws can be installed for the plumb line. At a minimum, the plumb strings should be strung next to each adjustment point (at every leveling foot). (See Figure 15)

2. Loosely install the self-tapping screws then wrap the string around the screw and tighten. (See Figure 15)
3. Run the string tightly between the same hole at each end of the row of mounts. (See Figure 15)

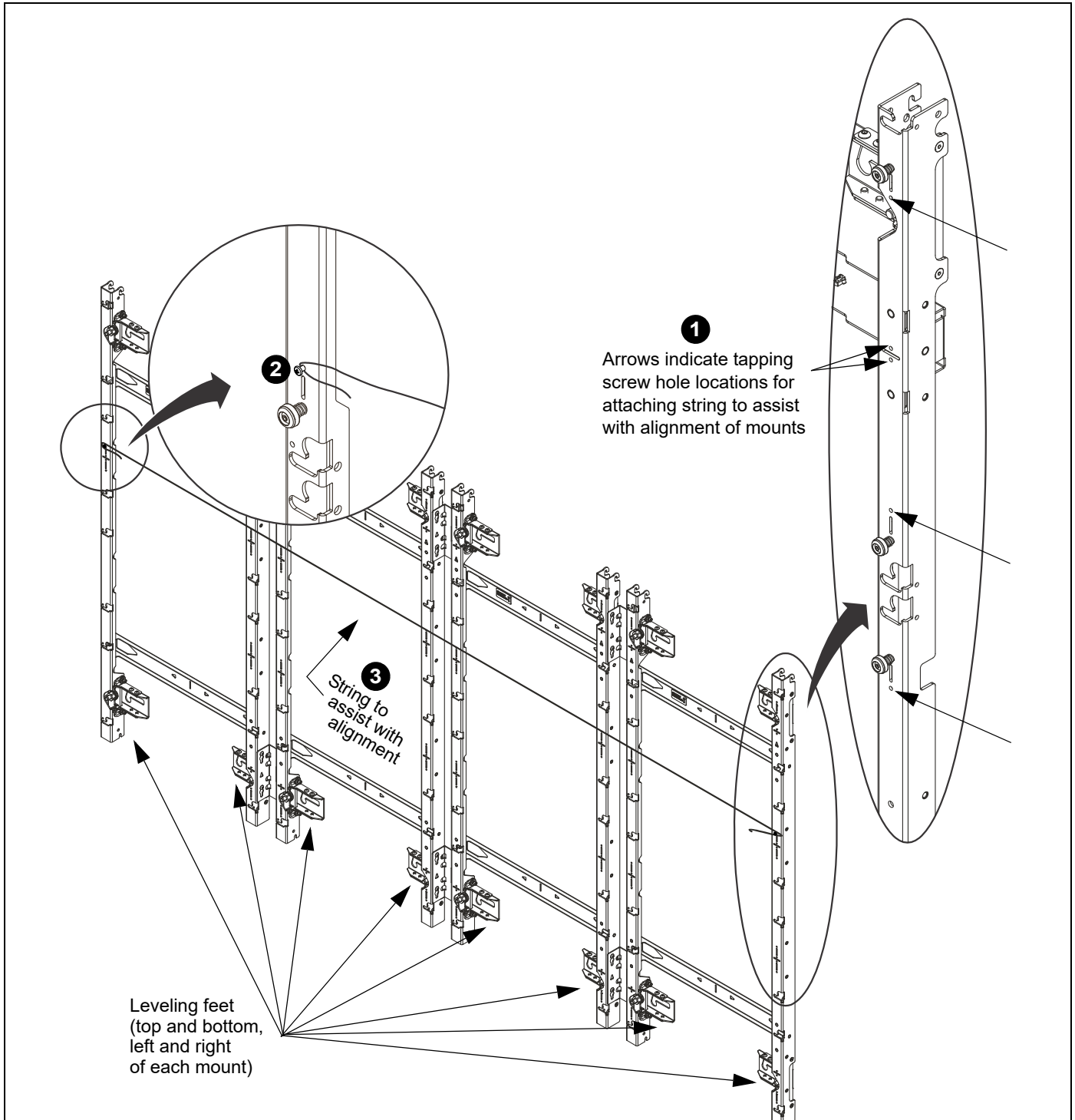


Figure 15

4. Install one or two #10 x 1/2" Phillips self-tapping screws (F) into the edge of the mounting button slots on the far left mount. **One or two is typically all that is needed per mount.** (See Figure 16)

NOTE: These center-aligning stop screws provide a stop to the mounting button, keeping the cabinet centered on the mount. They are **ONLY** installed on the furthest left column of mounts, and can be removed later if the mount needs to be slid to the left or right for alignment.

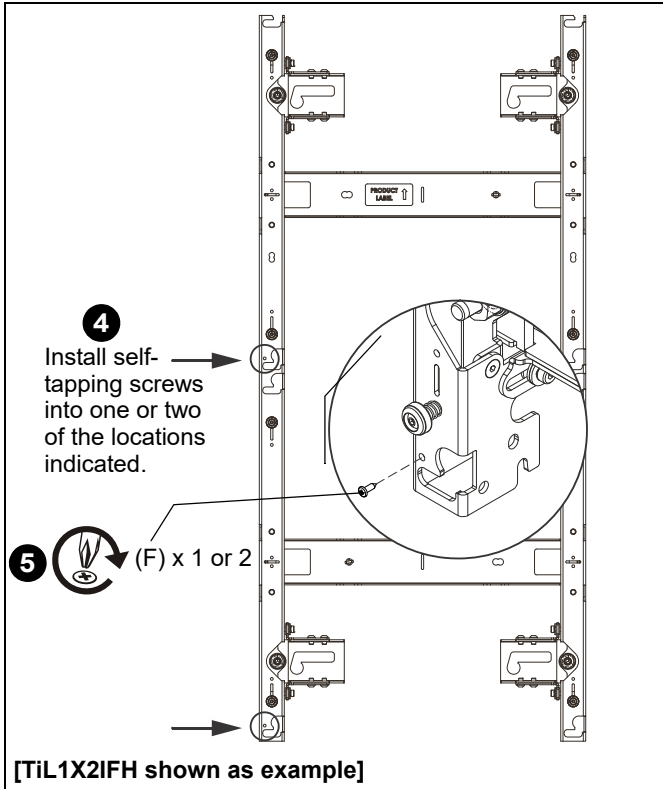


Figure 16

5. If the cabinets need to be moved slightly to either the left or right, remove the center-aligning tap screws installed in Step 4.
6. Insert one 10-24 x 5/8" self-tapping screw (G) into the left side of the mount. (See Figure 17)

NOTE: There are two places on each cabinet for the left side stop screws to be installed. These screws will act as an adjustable left stop. Turn the screw **IN** to adjust the stop to the **right**, and back the screw **OUT** to move the stop to the **left**.

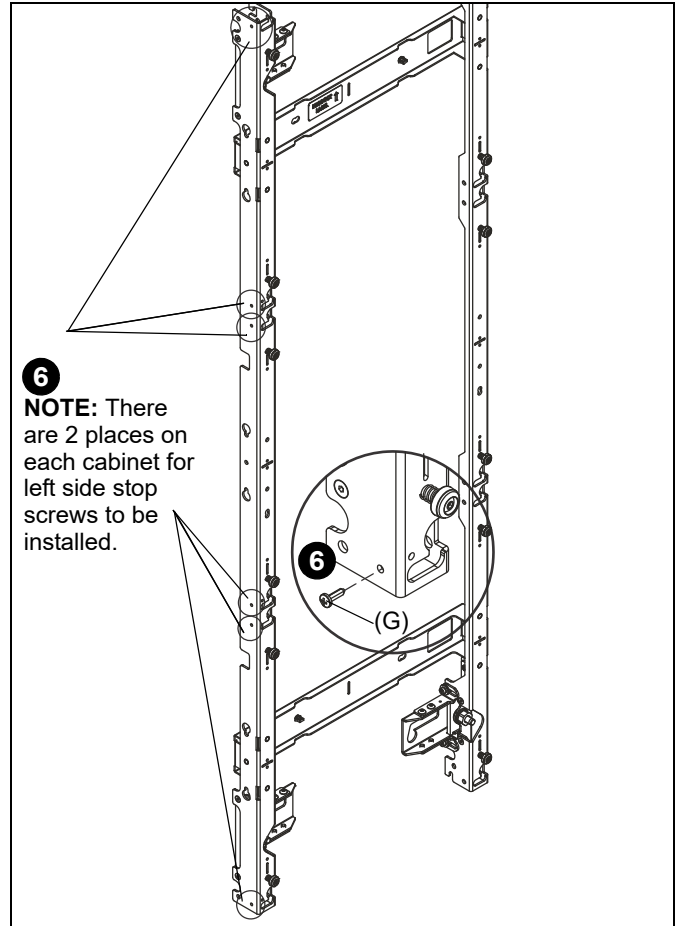


Figure 17

7. Attach the mounting buttons to the cabinets using hardware that was included with the LED cabinets and panels.

8. When installing a cabinet to the mounting system, line up mounting buttons with mounting holes at each corner.
9. Guide cabinet mounting buttons into mounting holes.
10. When the cabinet meets the push-back springs, apply a light and even pressure against the push-back springs and lower cabinet ensuring that mounting buttons are securely seated in the four mounting holes. (See Figure 18)

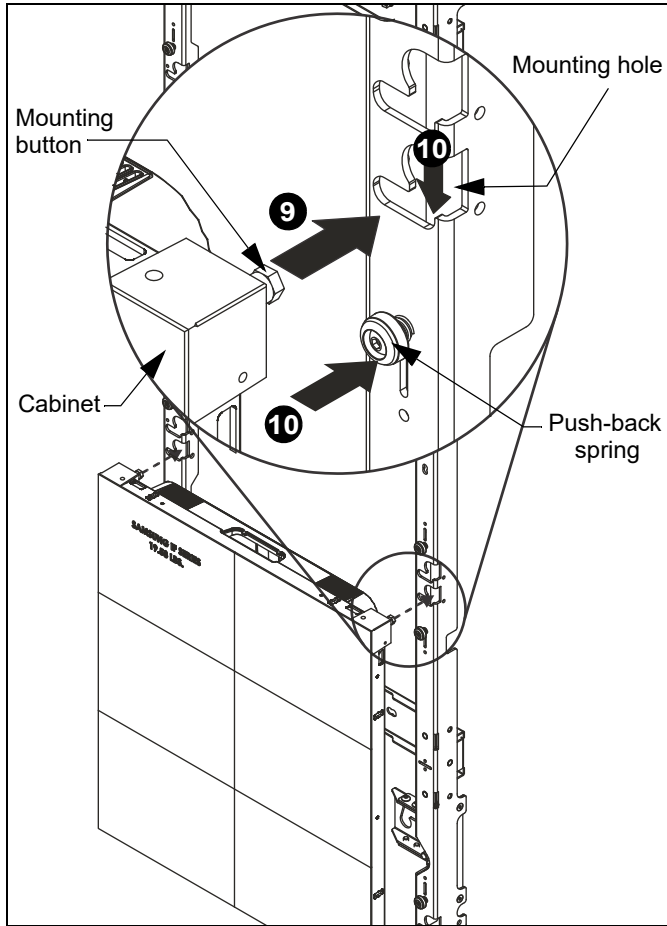


Figure 18

11. After the bottom row of cabinets are installed, it is a good idea to install the far left column of cabinets to check that everything is square and straight.

Just a tip - When installing in a recess it may also be helpful to install the far right column. This allows you to check for squareness and level inside of the recess.

Just a tip - When doing the final install, start at the left column and work to the right. Install one column at a time, and then slide it out of the way to the left before installing the next column.

Connecting Mounts Above or Below First Row

• **Hanging Mounts from an Upper Row**

1. Hang the lower mount on the partially installed Phillips head screws (K) in the vertical connectors (L). (See Figure 19)
2. Tighten both lower screws (K) on both vertical connectors (L). (See Figure 19)

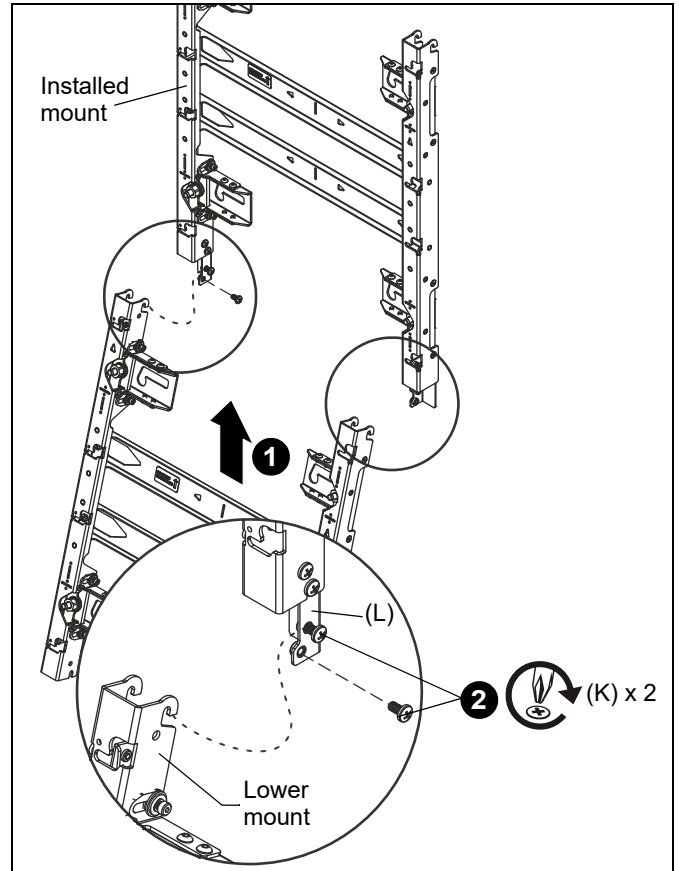


Figure 19

- **Installing Mounts onto a Lower Row**

3. Make sure the 1/4-20 x 1/2" Phillips head screw (K) is already loosely installed in the vertical connector (L) on both sides of the mount. (See Figure 20)
4. Slide mount down onto the screws so that upper mount hangs on lower mount.
5. Install two 1/4-20 x 1/2" Phillips head screws (K) into upper hole on both vertical connectors, and tighten all screws. (See Figure 20)
6. Place a long level against front of the mounts and adjust the depth of the newly attached mount to align it with the first, installed mount.
7. Adjust the leveling feet on the newly installed mount so that they are touching the wall.
8. Drill pilot holes in centerline of each mounting slot on each leveling foot of the added mount (see Table 1 for size) and follow fastener information (appropriate for wall type) located in Table 1. (See Figure 20)

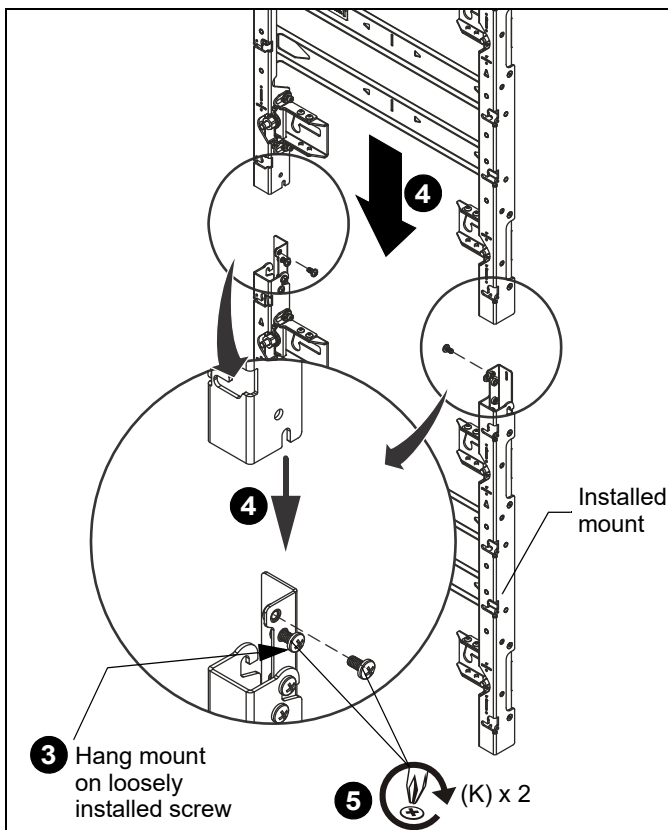


Figure 20

9. Double check the level of the mount at the bottom of the teardrop slots, and make sure the new mount stays perfectly aligned with the upper or lower mount to which it was attached. (See Figure 21)
10. Fully tighten the 5/16 x 2-1/2" lag screws (D) through the 5/16" fender washers (E). (See Figure 21)

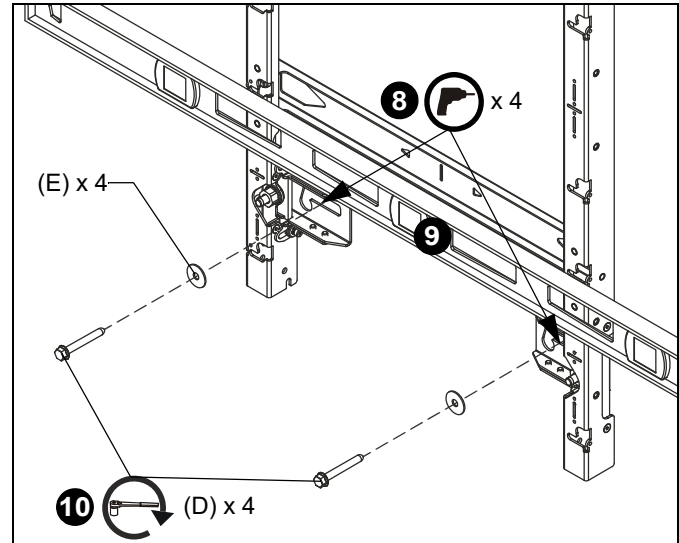


Figure 21

11. Continue on until the entire LED wall is assembled.

Fastener Installation Methods

IMPORTANT ! : See Table 1 for appropriate hardware and pilot hole sizes for various wall types.

IMPORTANT ! : The expanse of the LED wall will most likely mean that attachment of the wall mounts will not all be in studs. The attachment method will most likely vary throughout the installation, and more than one of the various methods outlined here will most likely be used.

Wood Stud

1. Use one 5/16" x 2-1/2" hex flange head lag bolt (D) and one 5/16" washer (E) through product and into pilot hole. (See Figure 22)
2. Repeat for remaining pilot holes.

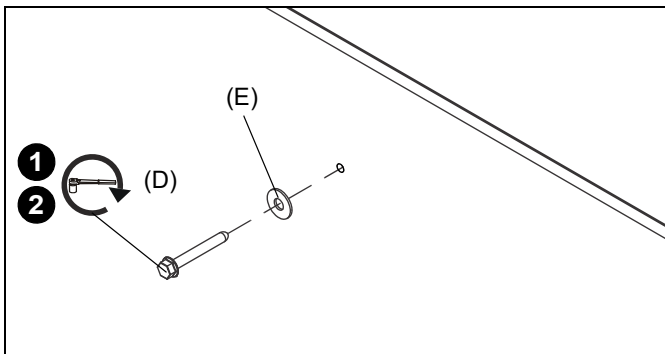


Figure 22

Concrete or Concrete Block

1. Install one UX10X60R anchor (C) into each pilot hole using a hammer, making sure that the anchor is flush with the wall. (See Figure 23)
2. Use one 5/16" x 2-1/2" hex flange head lag bolt (D) and one 5/16" washer (E) through product into each anchor in wall. (See Figure 23)
3. Repeat for remaining pilot holes.

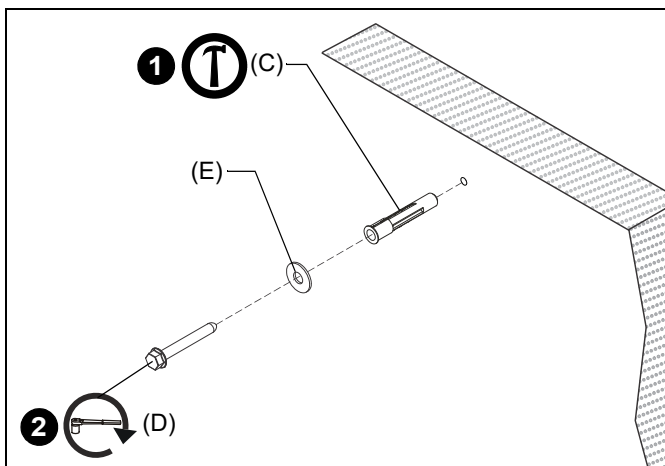


Figure 23

Steel Stud

IMPORTANT ! : See **Site Requirements for Steel Stud Installation** section before proceeding with Steel Studs installation to ensure installation site meets requirements! The drywall must have a minimum thickness of 1/2"!

1. Hold metal channel on anchor flat alongside plastic straps and slide channel through hole. (See Figure 24)

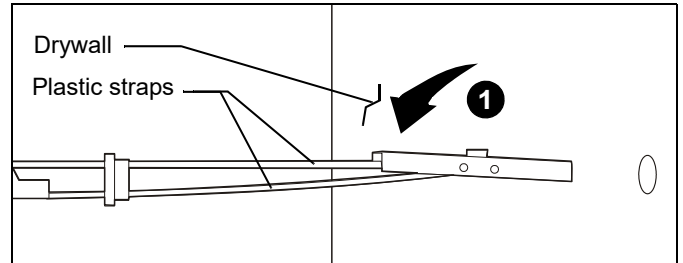


Figure 24

2. Holding plastic straps on anchor, pull anchor away from wall until channel rests flush behind wall making sure anchor channel is positioned vertically on drywall, or steel stud (if present). (See Figure 25)
3. Slide plastic cap on anchor towards wall until flange of cap is flush with wall. (See Figure 25)

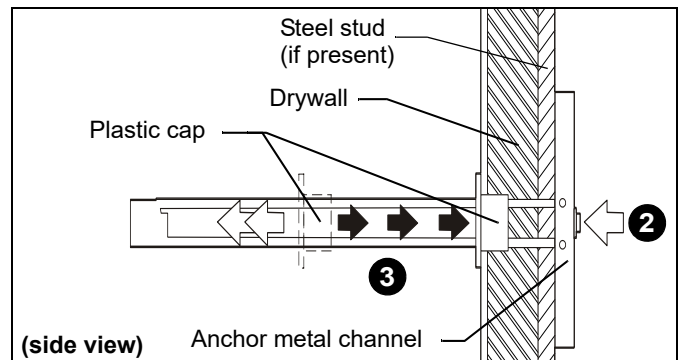


Figure 25

4. Snap off plastic straps on anchor at wall by pushing side to side, snapping off straps level with flange of plastic cap. (See Figure 26)

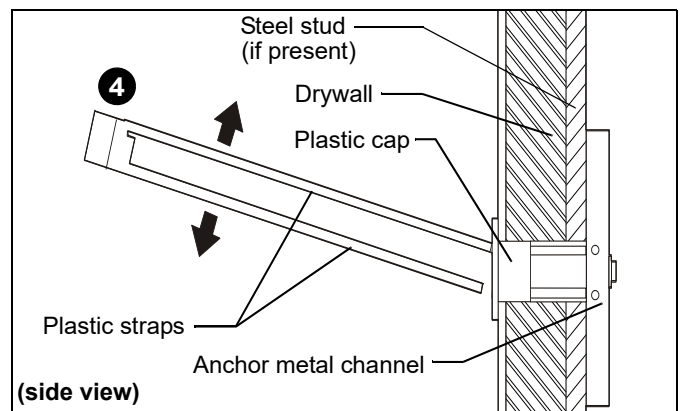


Figure 26

5. Line up anchor with attachment point.

6. Insert 1/4-20 x 1-3/4" Phillips pan head screw through 1/4" washer, corresponding mounting hole in wall bracket and into anchor, and tighten until flush against wall bracket. DO NOT over tighten! (See Figure 27)

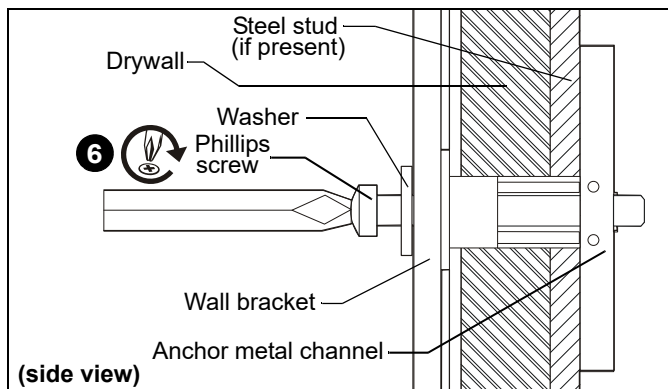
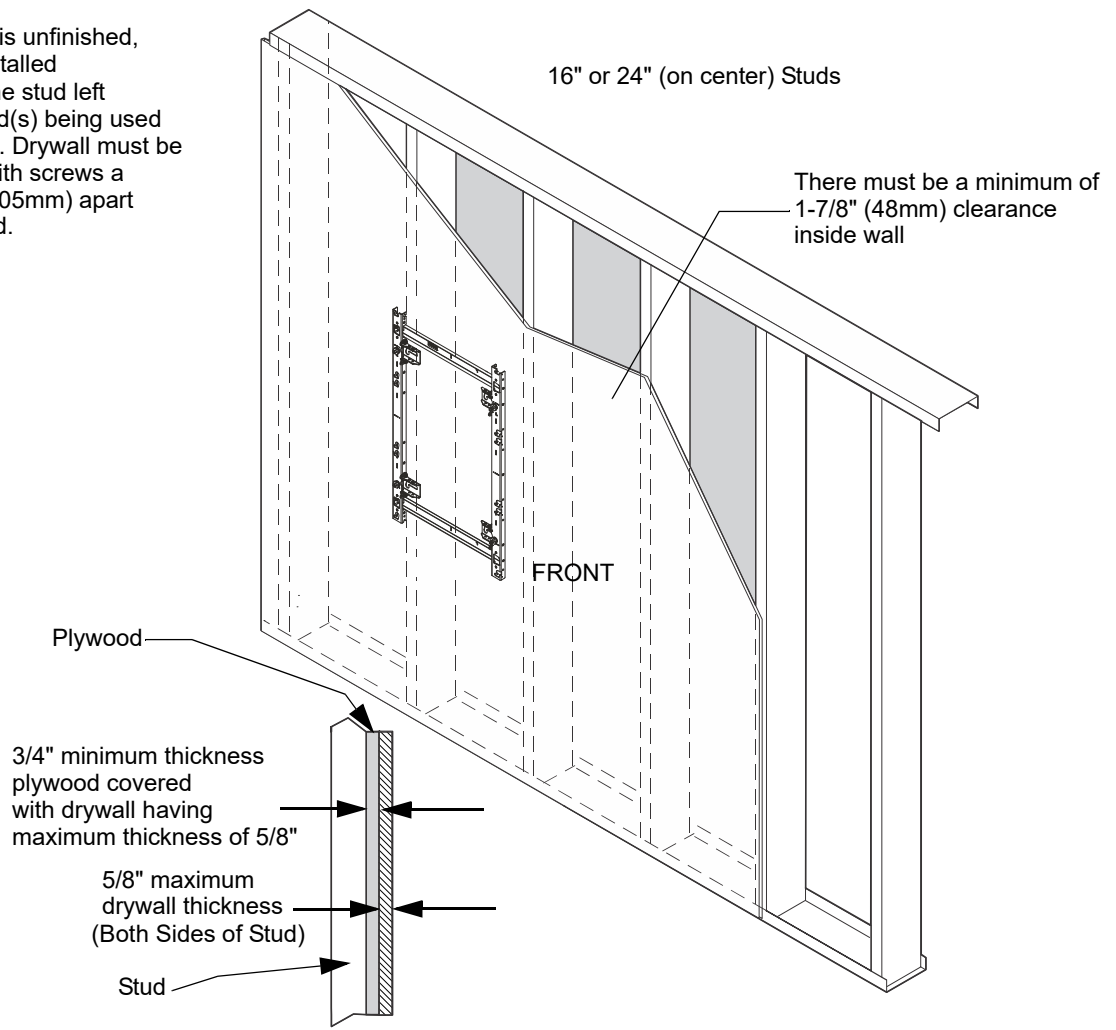


Figure 27

Site Requirements for Wood or Steel Stud Installation



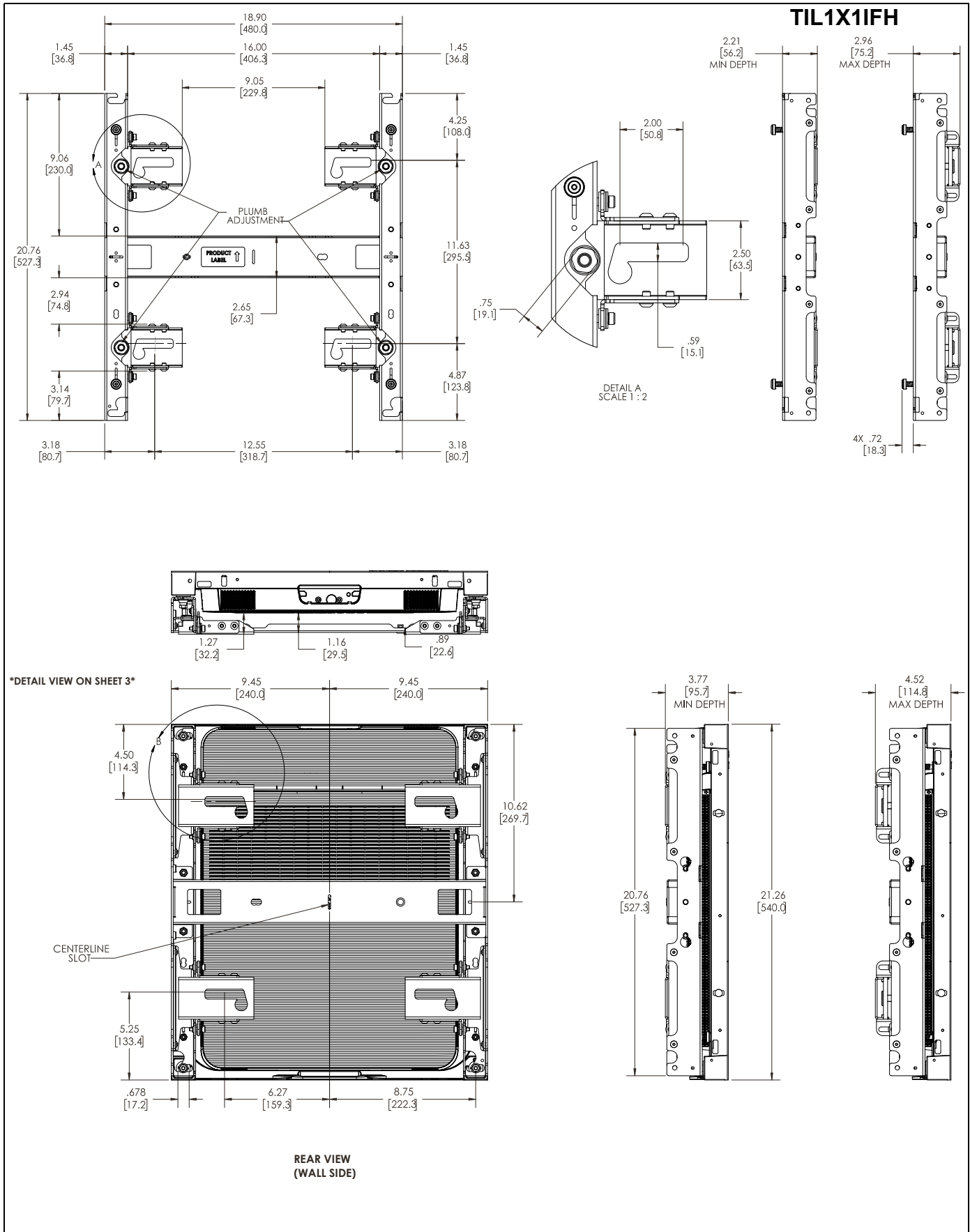
If back side of wall is unfinished, drywall must be installed to a minimum of one stud left and right of the stud(s) being used to install the mount. Drywall must be secured to studs with screws a maximum of 12" (305mm) apart down center of stud.



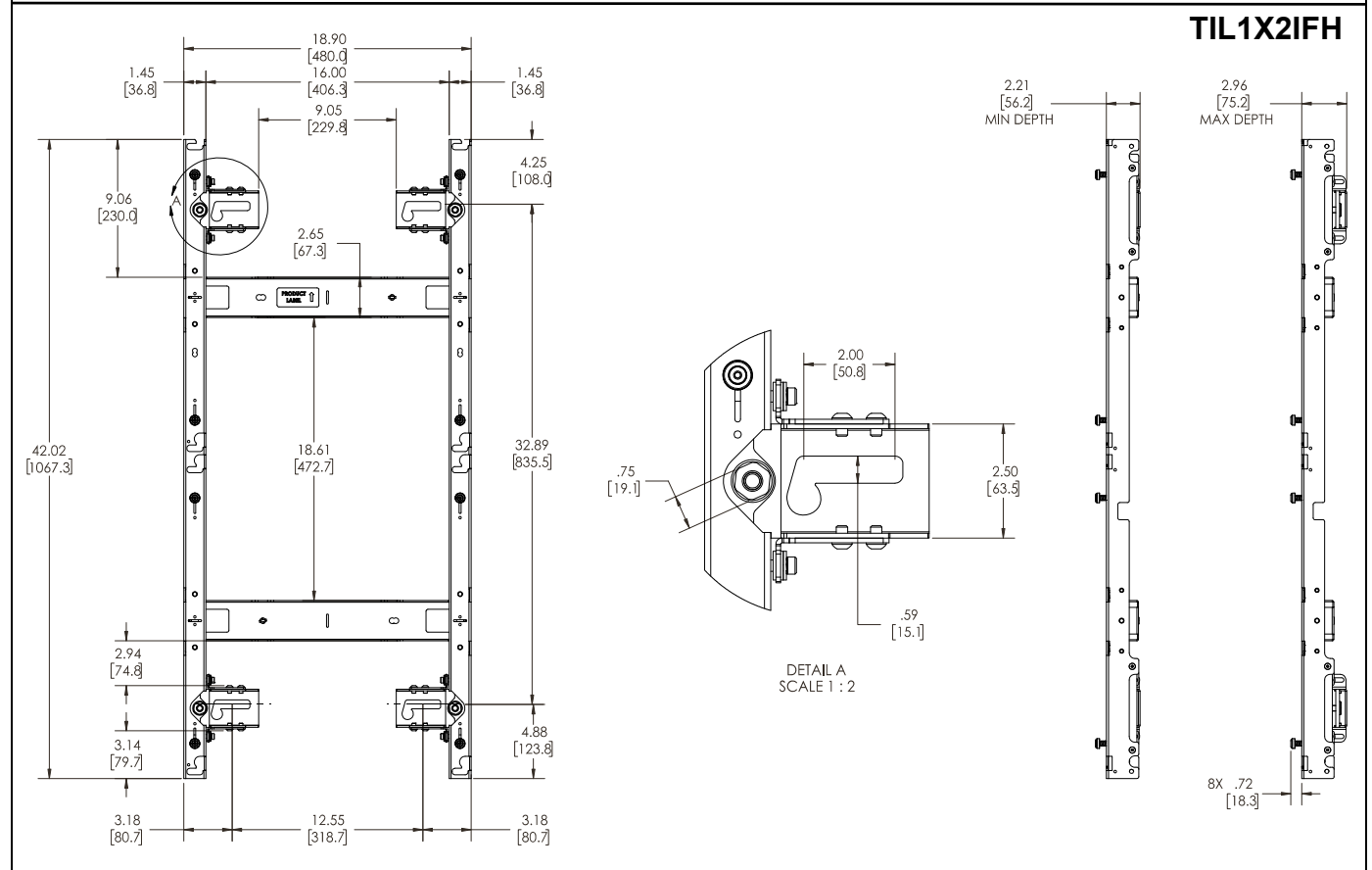
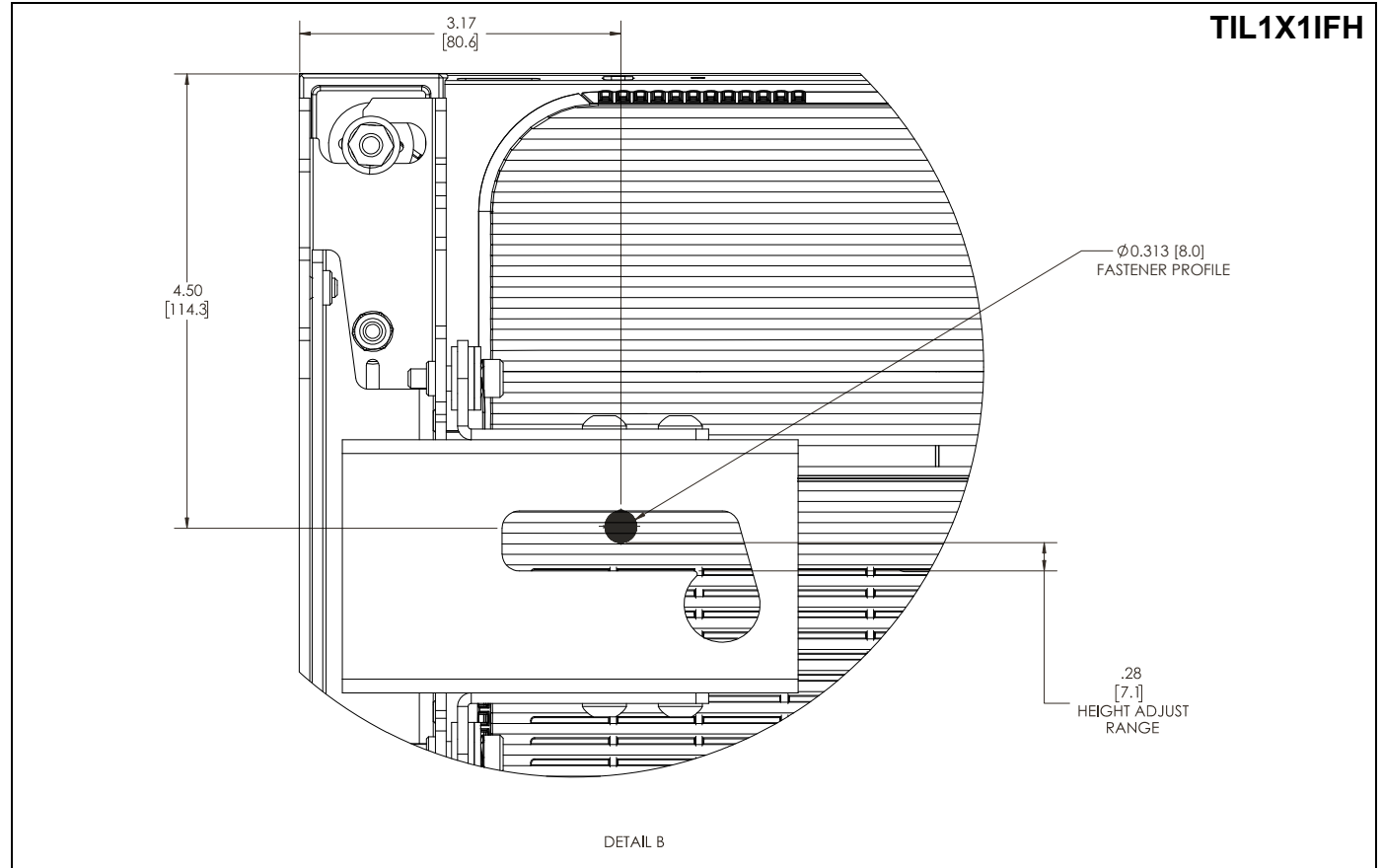
Steel Stud (2 x 4 / 25ga minimum)
 Stud type and structural strength must conform to the North American Specification for the Design of Cold-Formed Steel Structural Members. [362 S 125 18, C-Shaped, S-Stud Section]

Figure 28

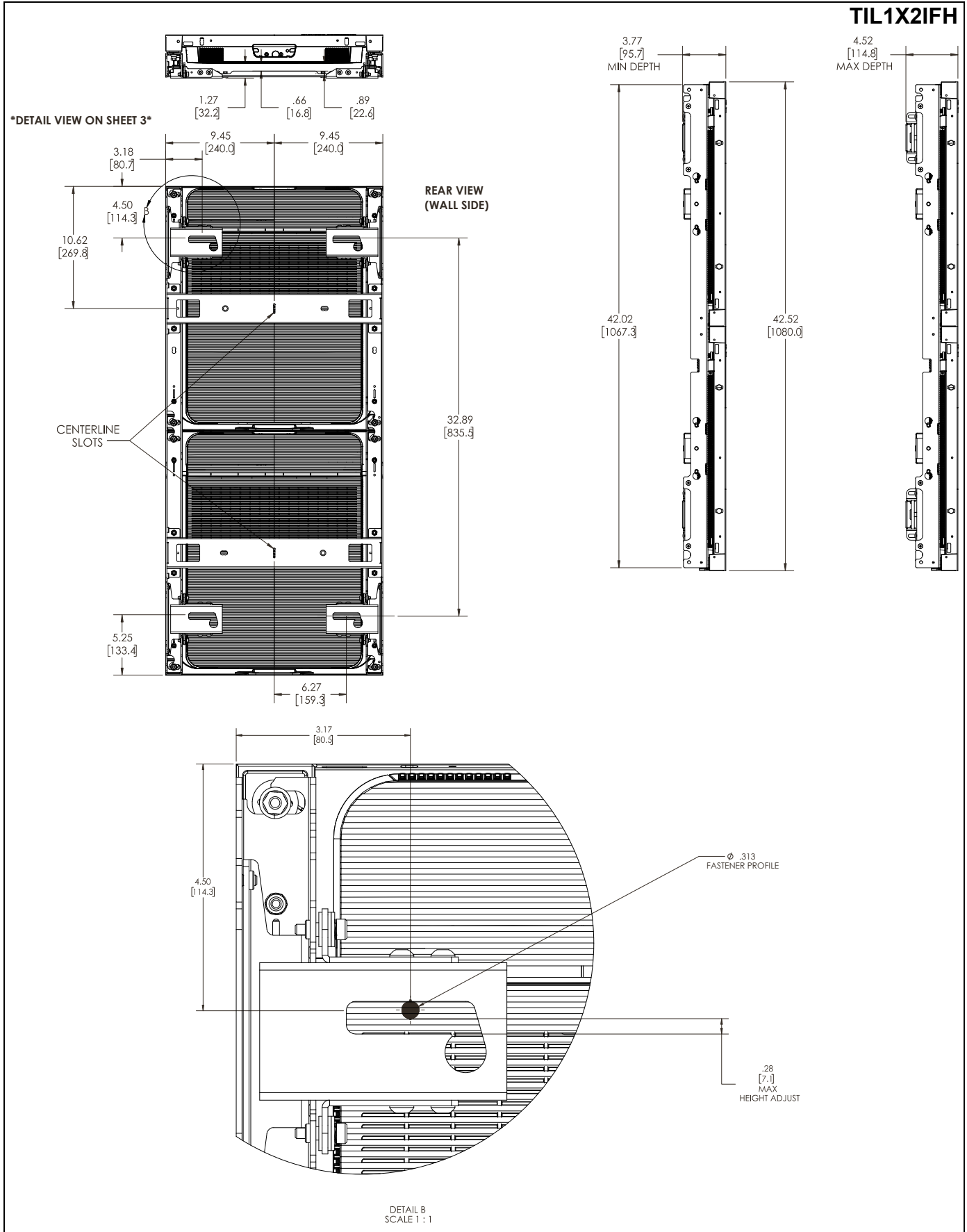
DIMENSIONS



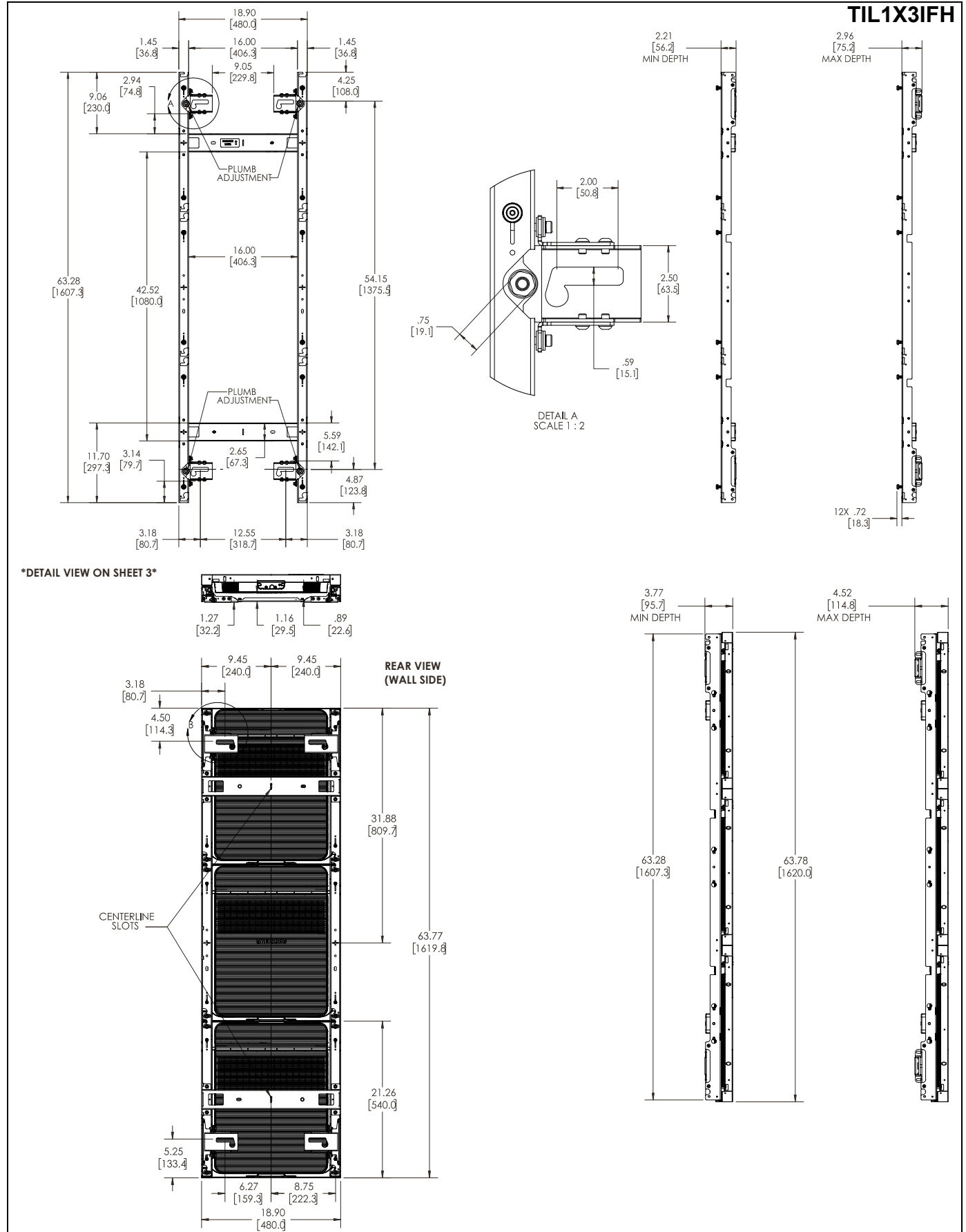
DIMENSIONS -- cont'd



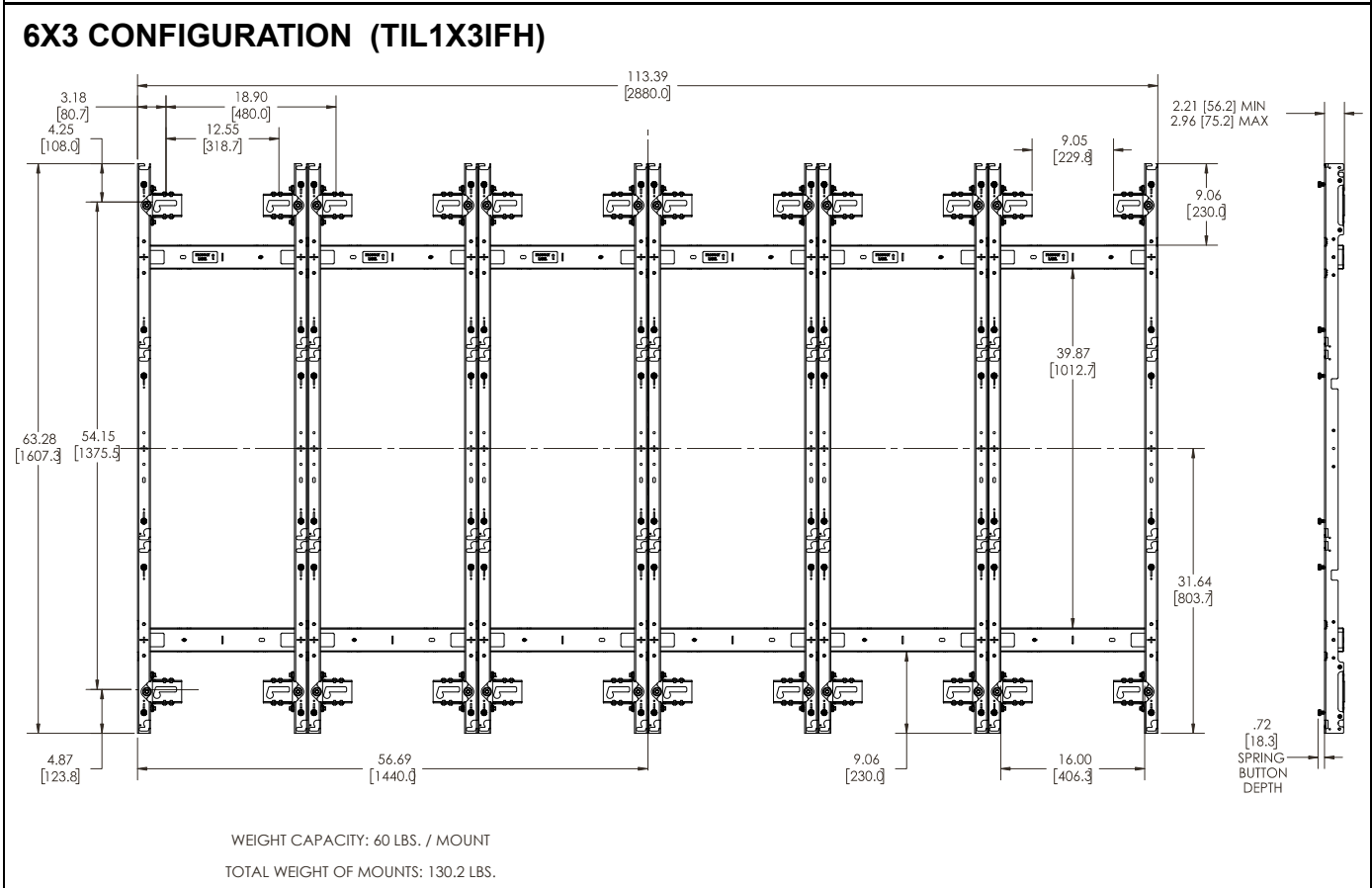
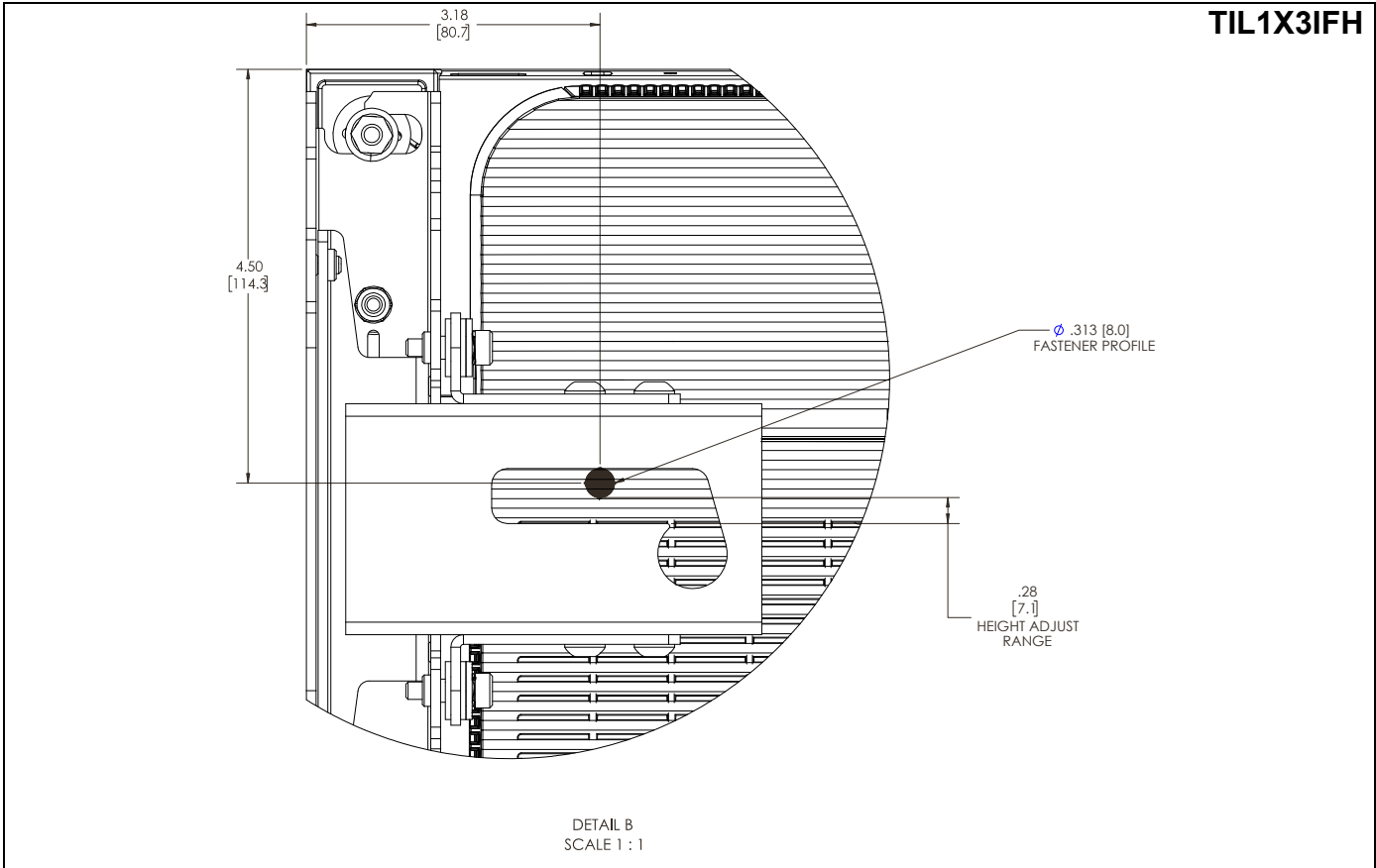
DIMENSIONS -- cont'd



DIMENSIONS -- cont'd

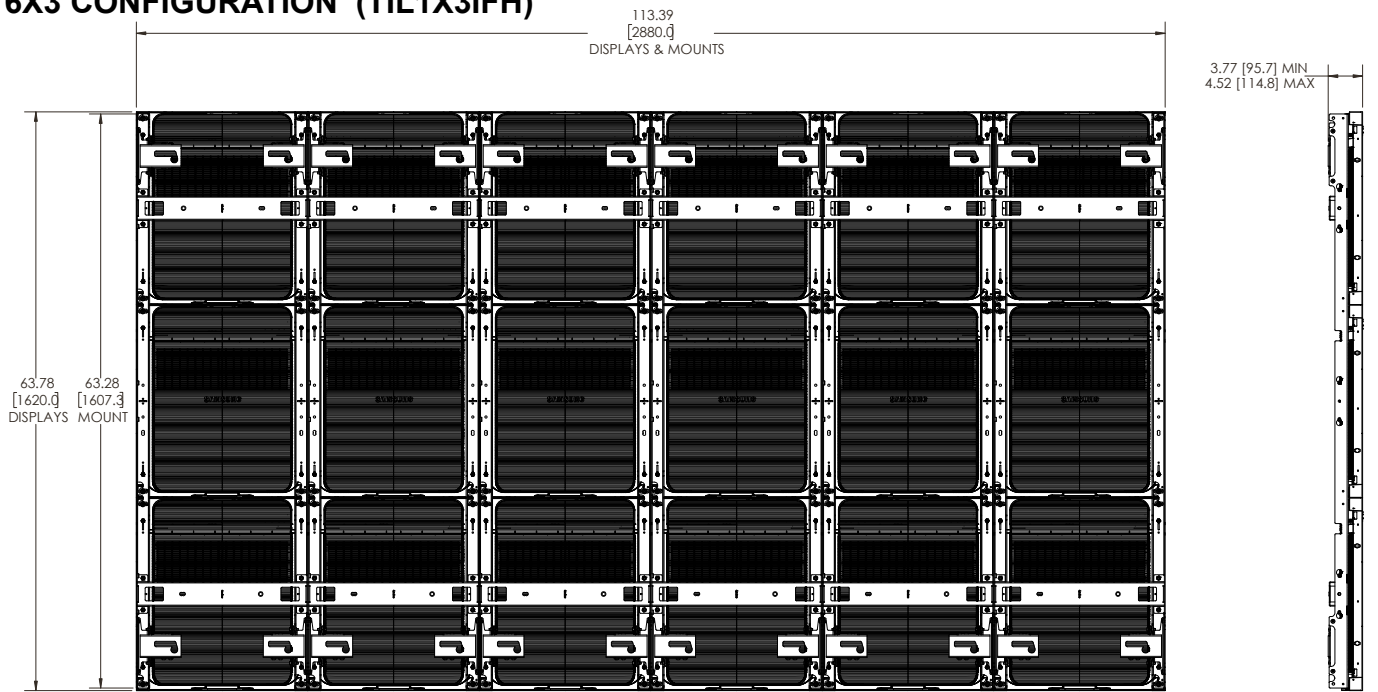


DIMENSIONS -- cont'd

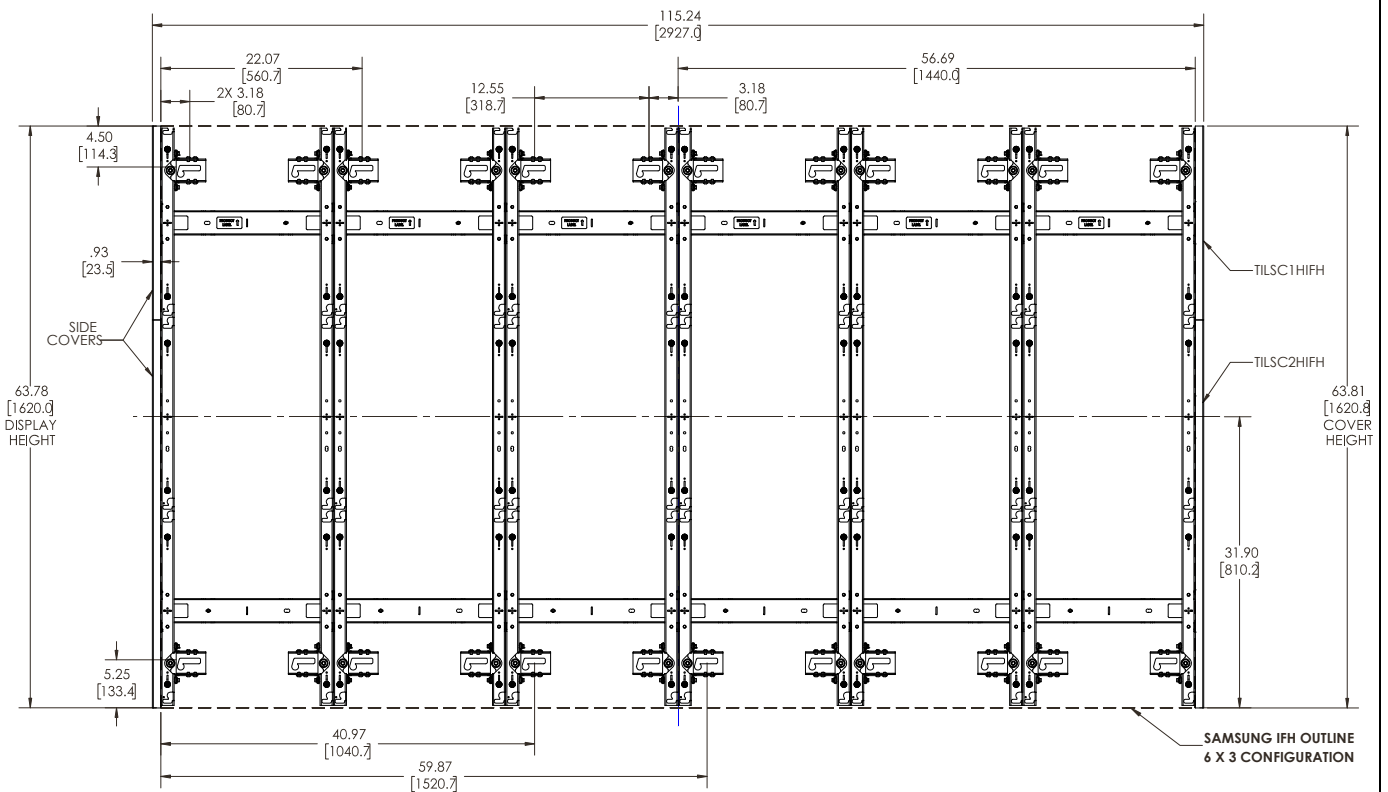


DIMENSIONS -- cont'd

6X3 CONFIGURATION (TIL1X3IFH)



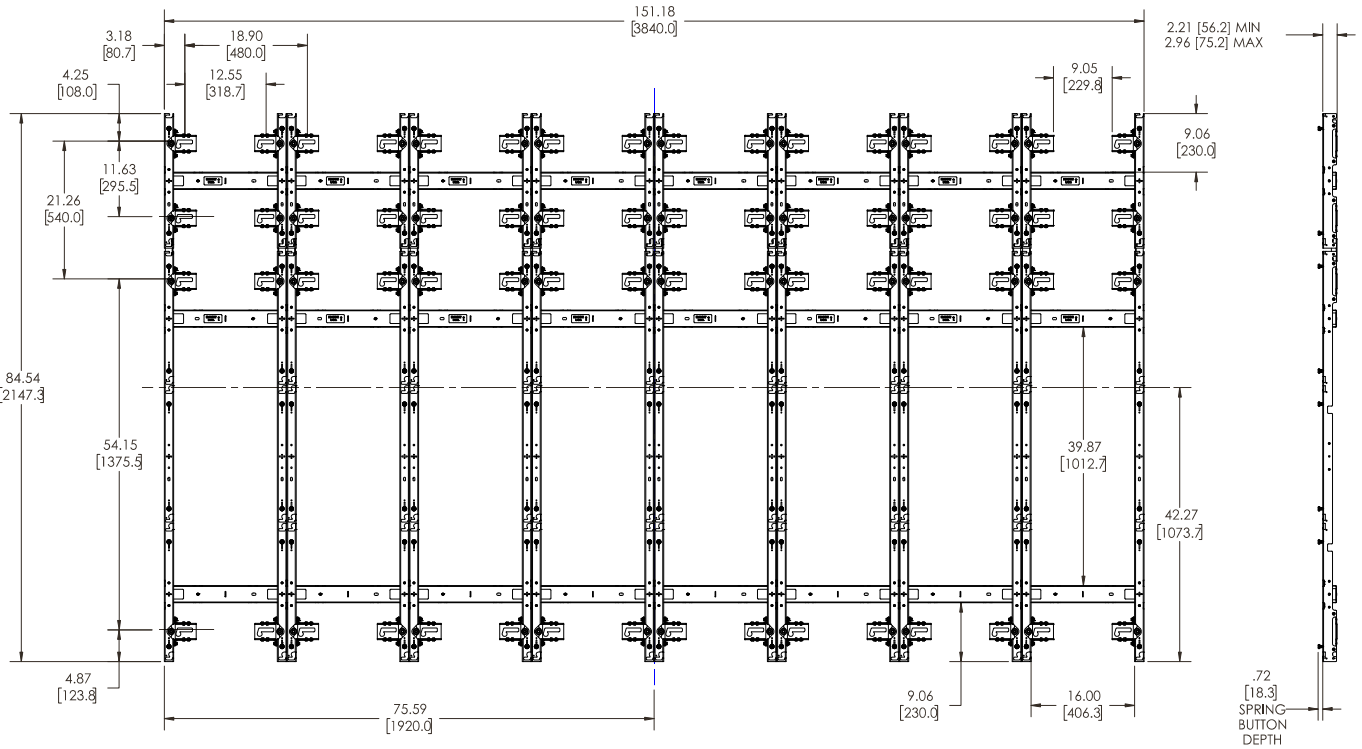
REAR VIEW WITH SAMSUNG IFH



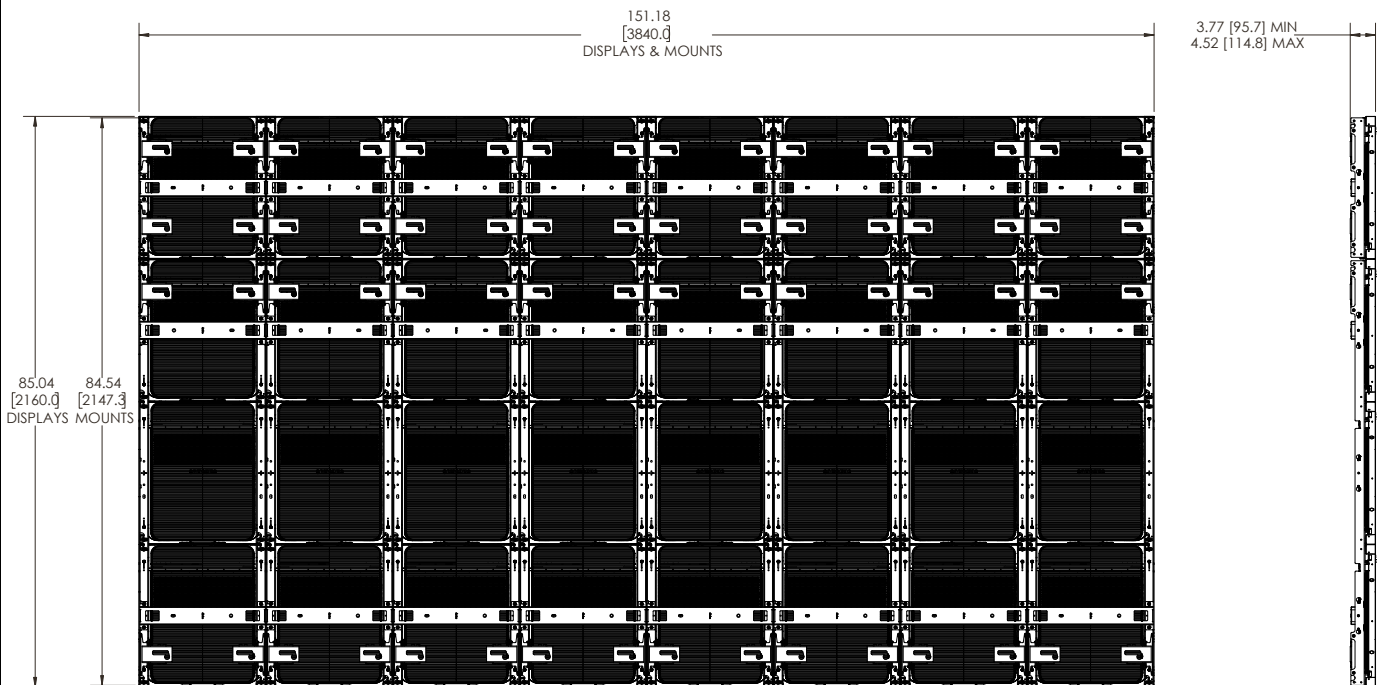
TIL1X3IFH MOUNTS WITH SIDE COVERS

DIMENSIONS -- cont'd

8X4 CONFIGURATION (TIL1X3IFH and TIL1X1IFH)



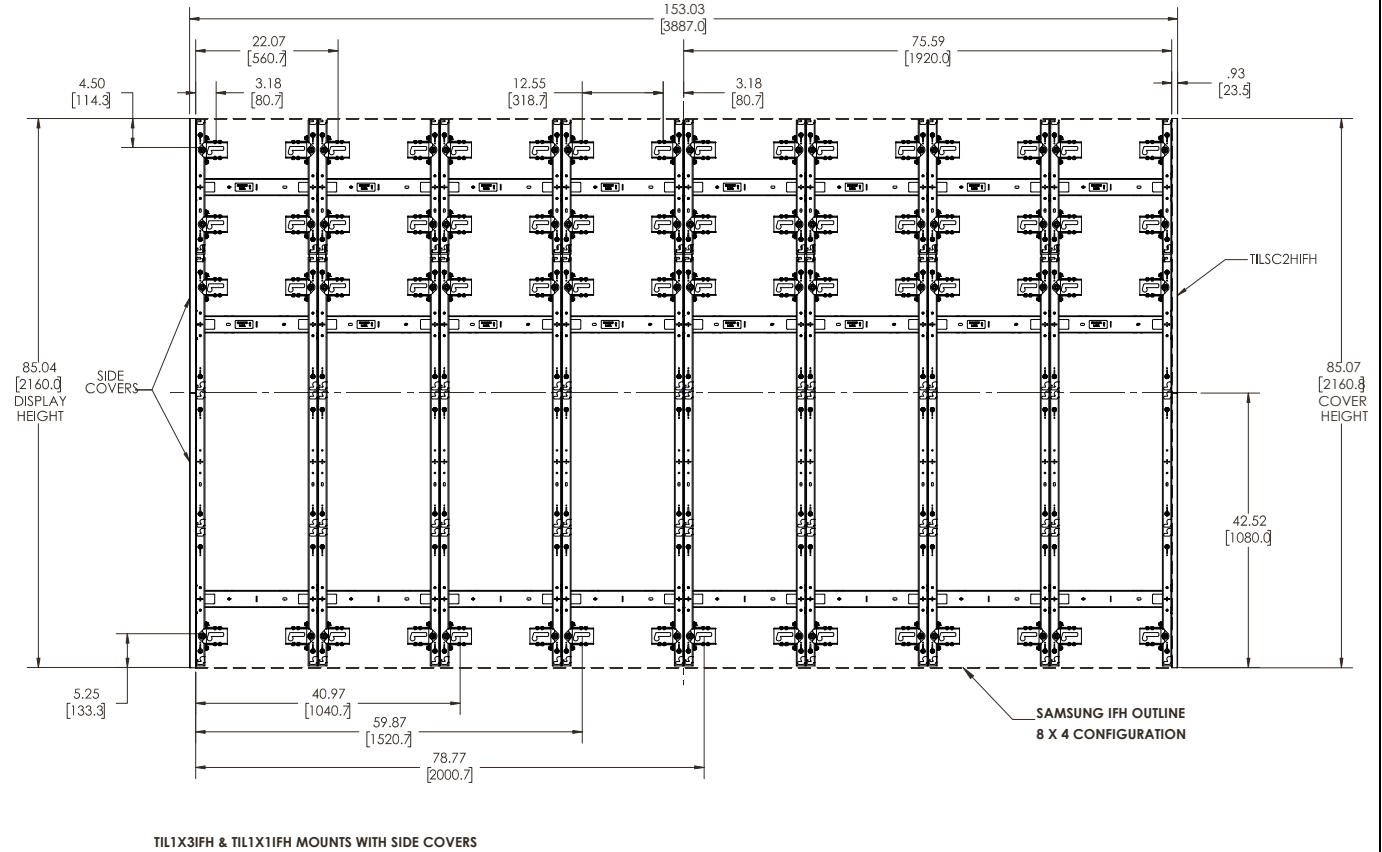
WEIGHT CAPACITY
 TIL1X1IFH: 20 LBS. / MOUNT
 TIL1X3IFH: 60 LBS. / MOUNT
 TOTAL WEIGHT OF MOUNTS: 273.6 LBS.



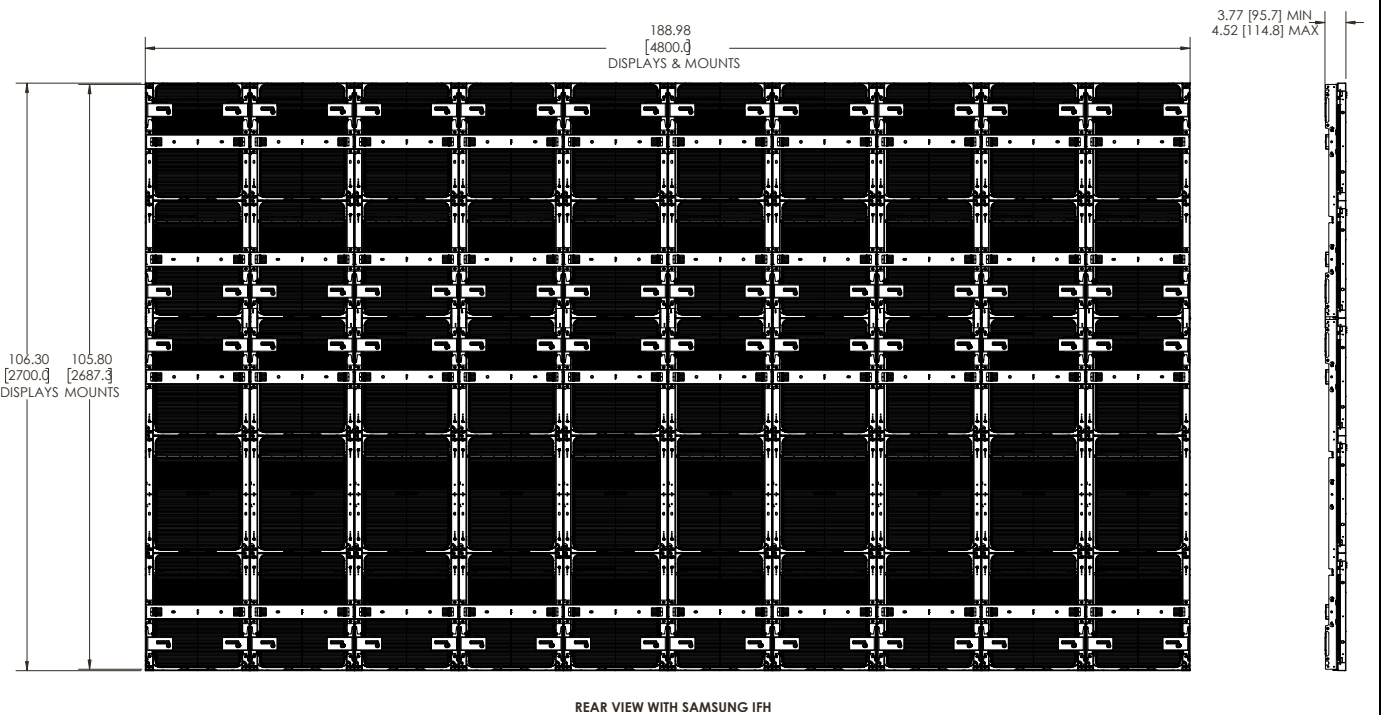
REAR VIEW WITH SAMSUNG IFH

DIMENSIONS -- cont'd

8X4 CONFIGURATION (TIL1X3IFH and TIL1X1IFH)

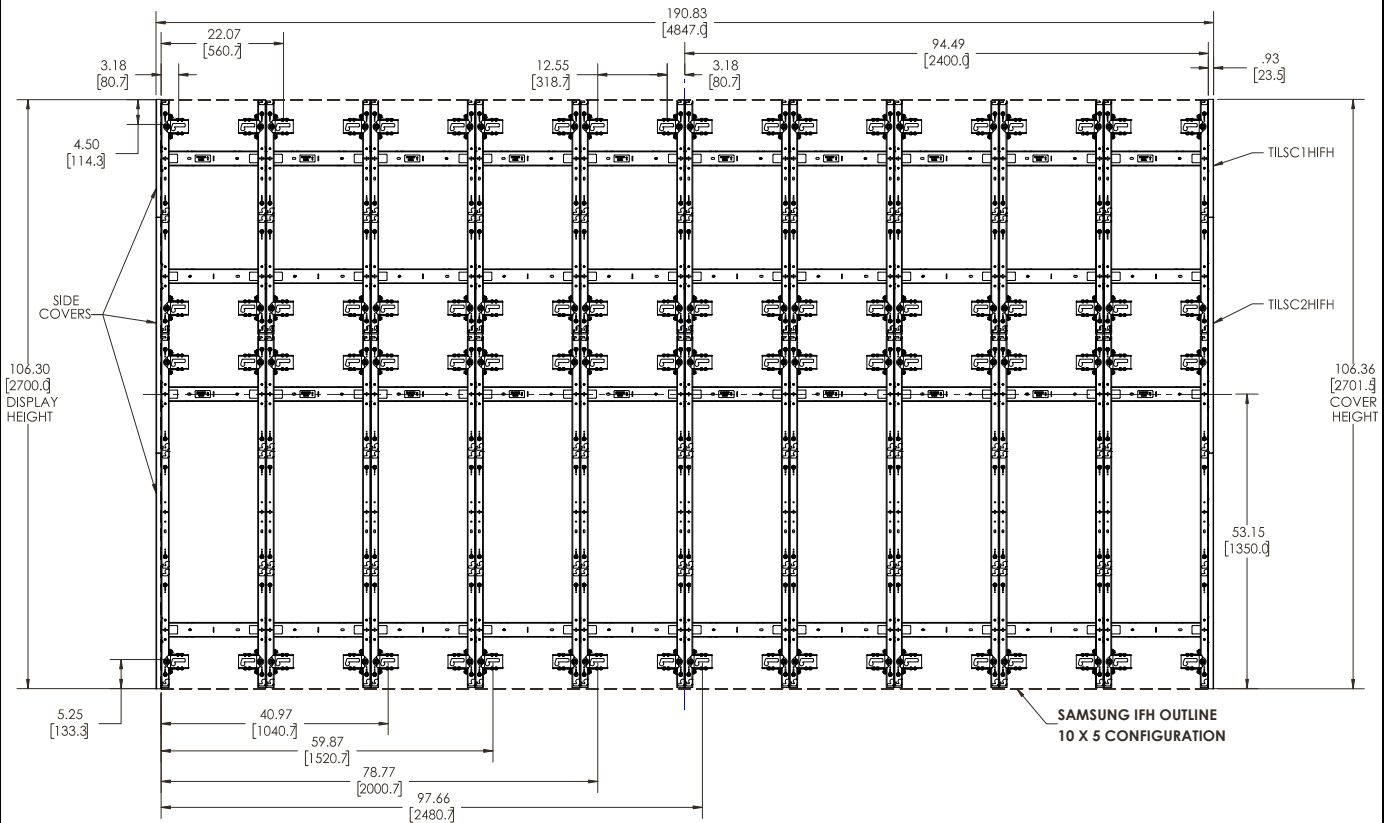


10X5 CONFIGURATION (TIL1X3IFH and TIL1X2IFH)

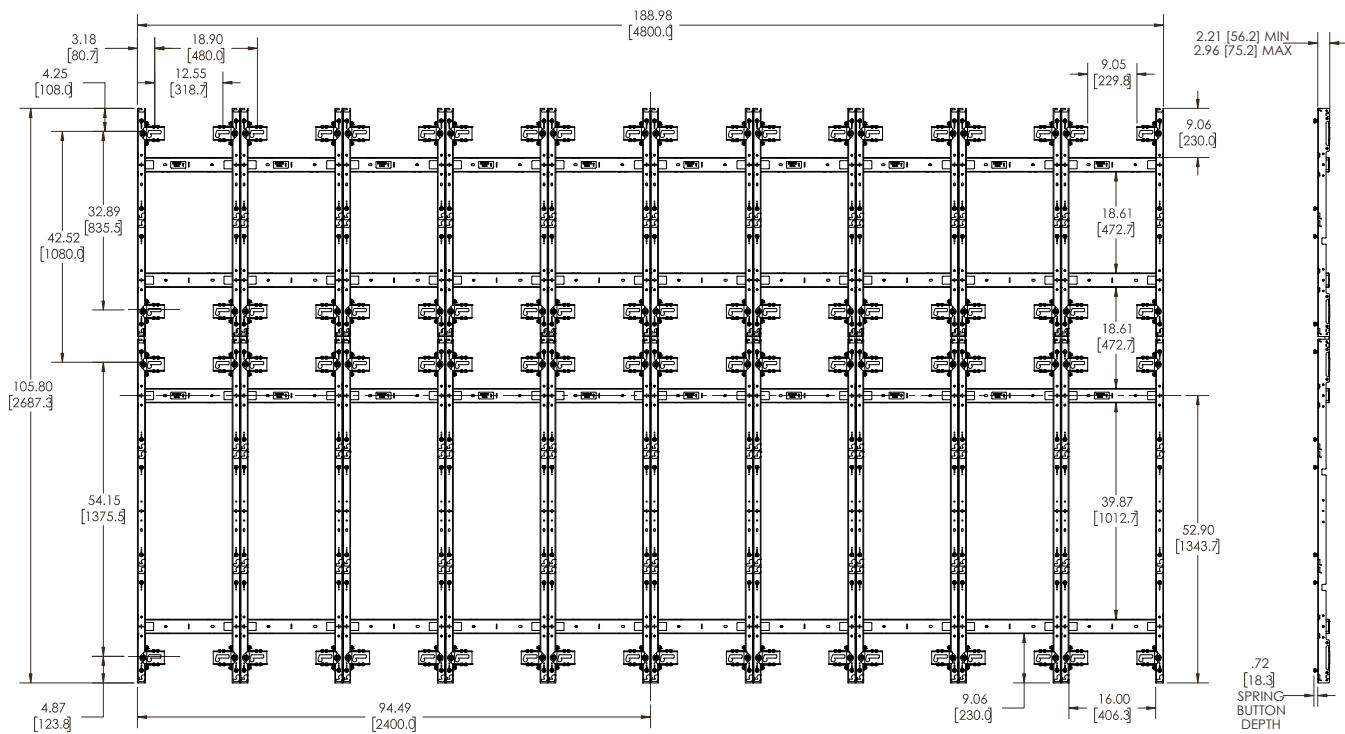


DIMENSIONS -- cont'd

10X5 CONFIGURATION (TIL1X3IFH and TIL1X2IFH)



TIL1X3IFH & TIL1X2IFH MOUNTS WITH SIDE COVERS



WEIGHT CAPACITY
 TIL1X2IFH: 40 LBS. / MOUNT
 TIL1X3IFH: 60 LBS. / MOUNT
 TOTAL WEIGHT OF MOUNTS: 405 LBS.



A brand of  **legrand**[®]

8800-00003225 Rev00
©2020 Legrand | AV
www.legrandav.com
08/2020

USA/International	A 6436 City West Parkway, Eden Prairie, MN 55344 P 800.582.6480 / 952.225.6000 F 877.894.6918 / 952.894.6918
Europe	A Franklinstraat 14, 6003 DK Weert, Netherlands P +31 (0) 495 580 852 F +31 (0) 495 580 845
Asia Pacific	A Office No. 918 on 9/F, Shatin Galleria 18-24 Shan Mei Street Fotan, Shatin, Hong Kong P 852 2145 4099 F 852 2145 4477

