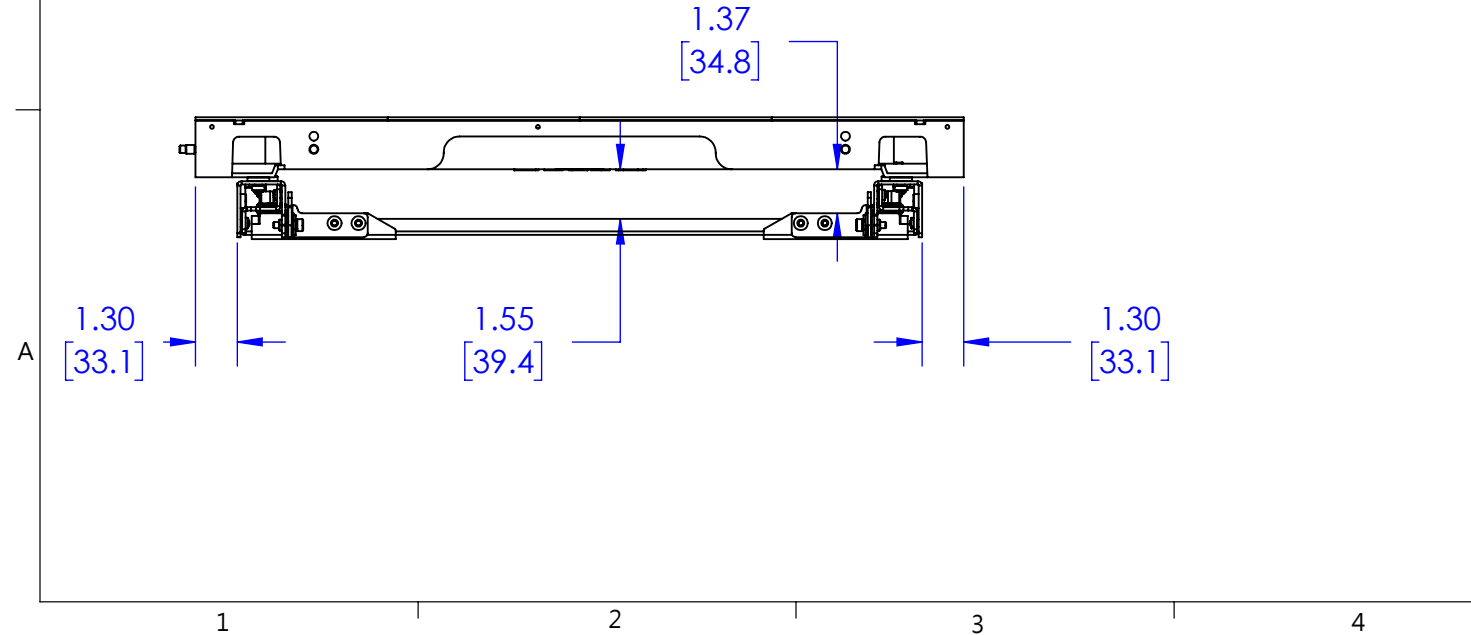
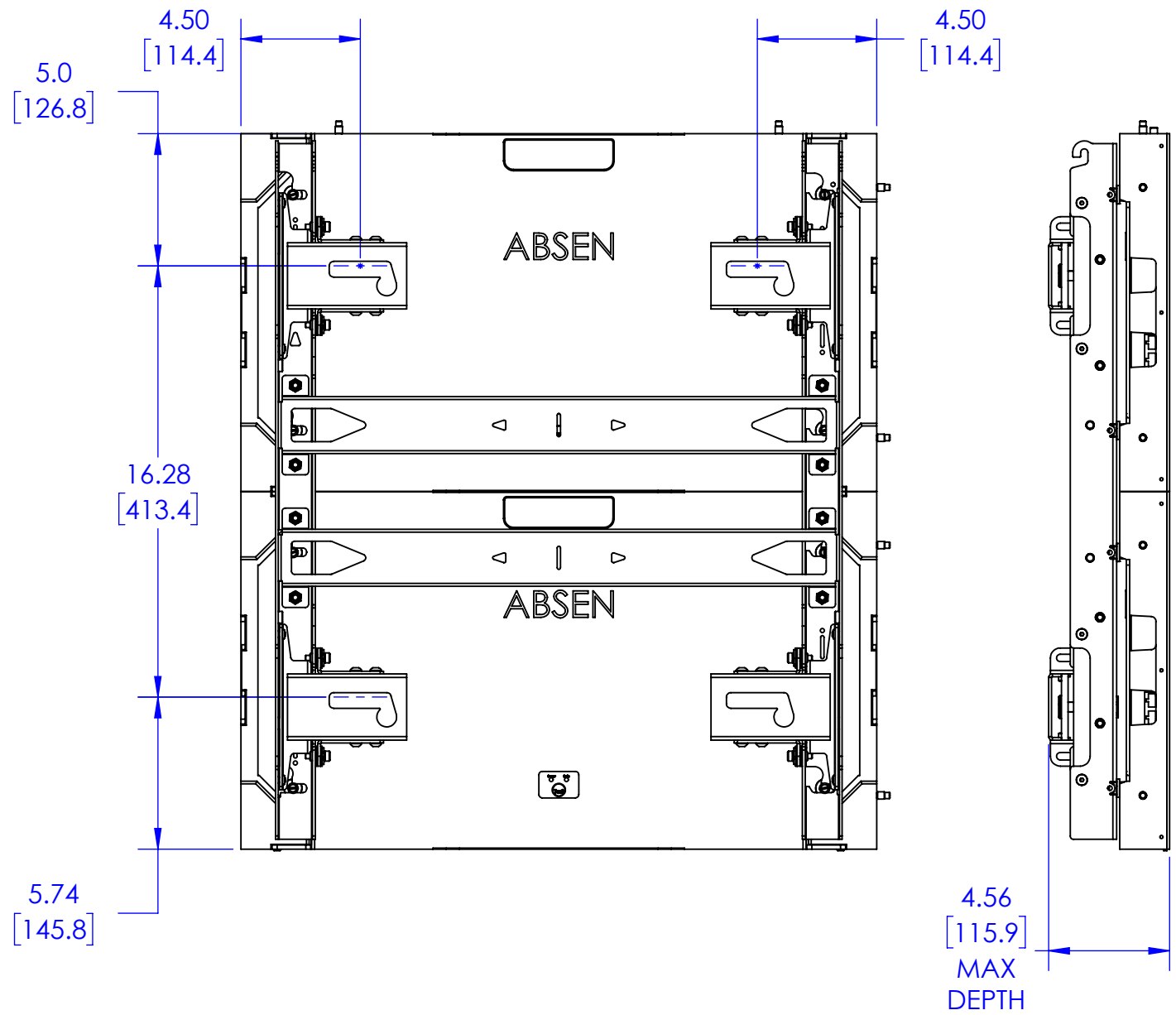
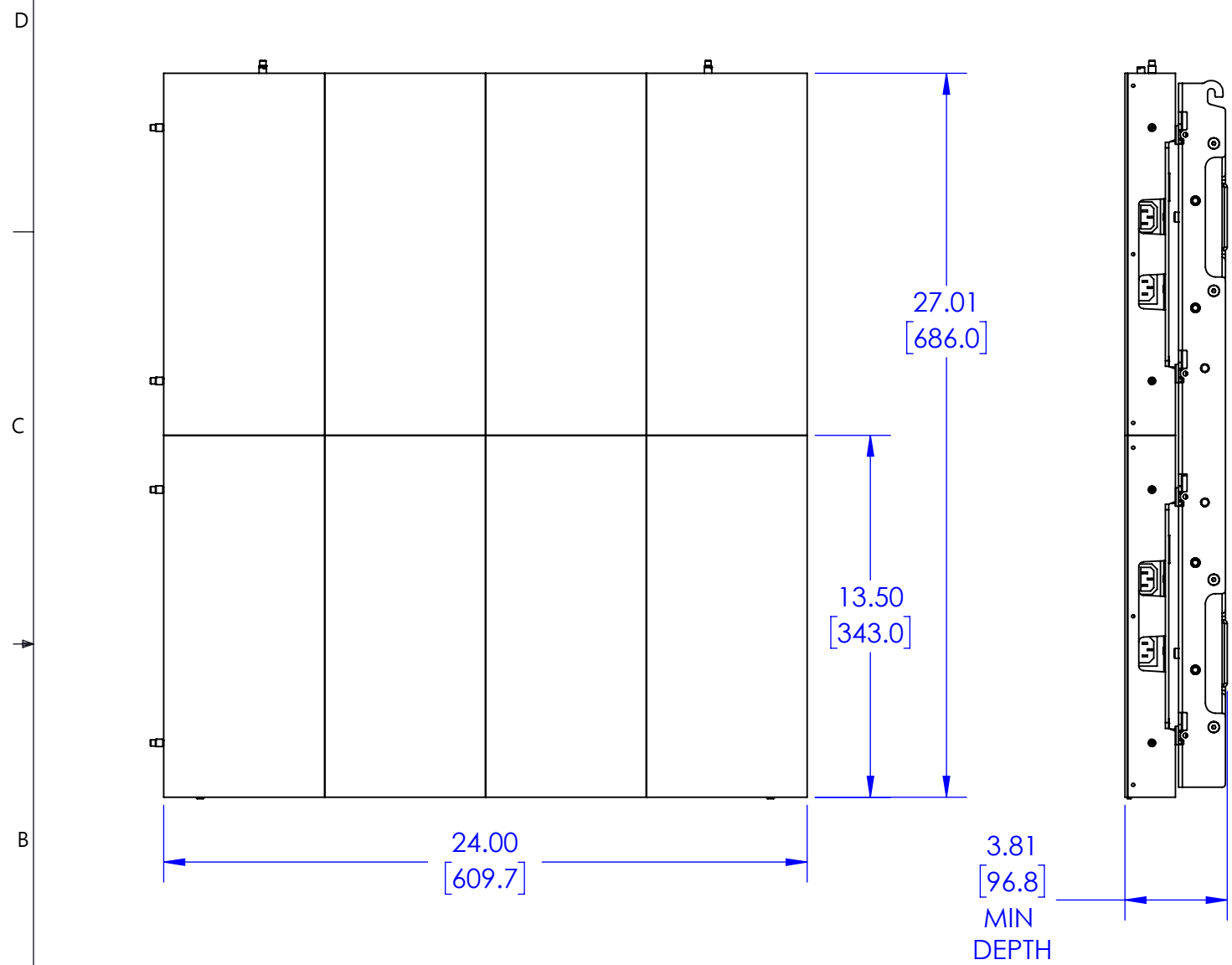


THE INFORMATION AND DESIGNS CONTAINED IN THIS DRAWING ARE CONFIDENTIAL AND THE PROPRIETARY PROPERTY OF MILESTONE AV TECHNOLOGIES NEITHER THIS DESIGN NOR ANY INFORMATION CONTAINED IN THIS DRAWING MAY BE REPRODUCED OR DISCLOSED TO OTHERS WITHOUT THE EXPRESS WRITTEN CONSENT OF MILESTONE AV TECHNOLOGIES.

CAD GENERATED DRAWING, DO NOT MANUALLY UPDATE.				6436 CITY WEST PKWY EDEN PRAIRIE, MN, 55344 PHONE: 866-977-3901 FAX: 877-894-6918	
DRAWN BY	JAB	10/25/2019		DESCRIPTION <b>LED, ABS EN ACCLAIM PLUS, 2 HIGH</b>	
ENG APPROVAL			MODEL NO. <b>TILX2AP</b>		
MFG APPROVAL			SIZE	DWG. NO.	REV.
QA APPROVAL			<b>B</b>	<b>TECH-001027</b>	<b>00</b>
SHEET 1 OF 3			SCALE		
			<b>1:6</b>		

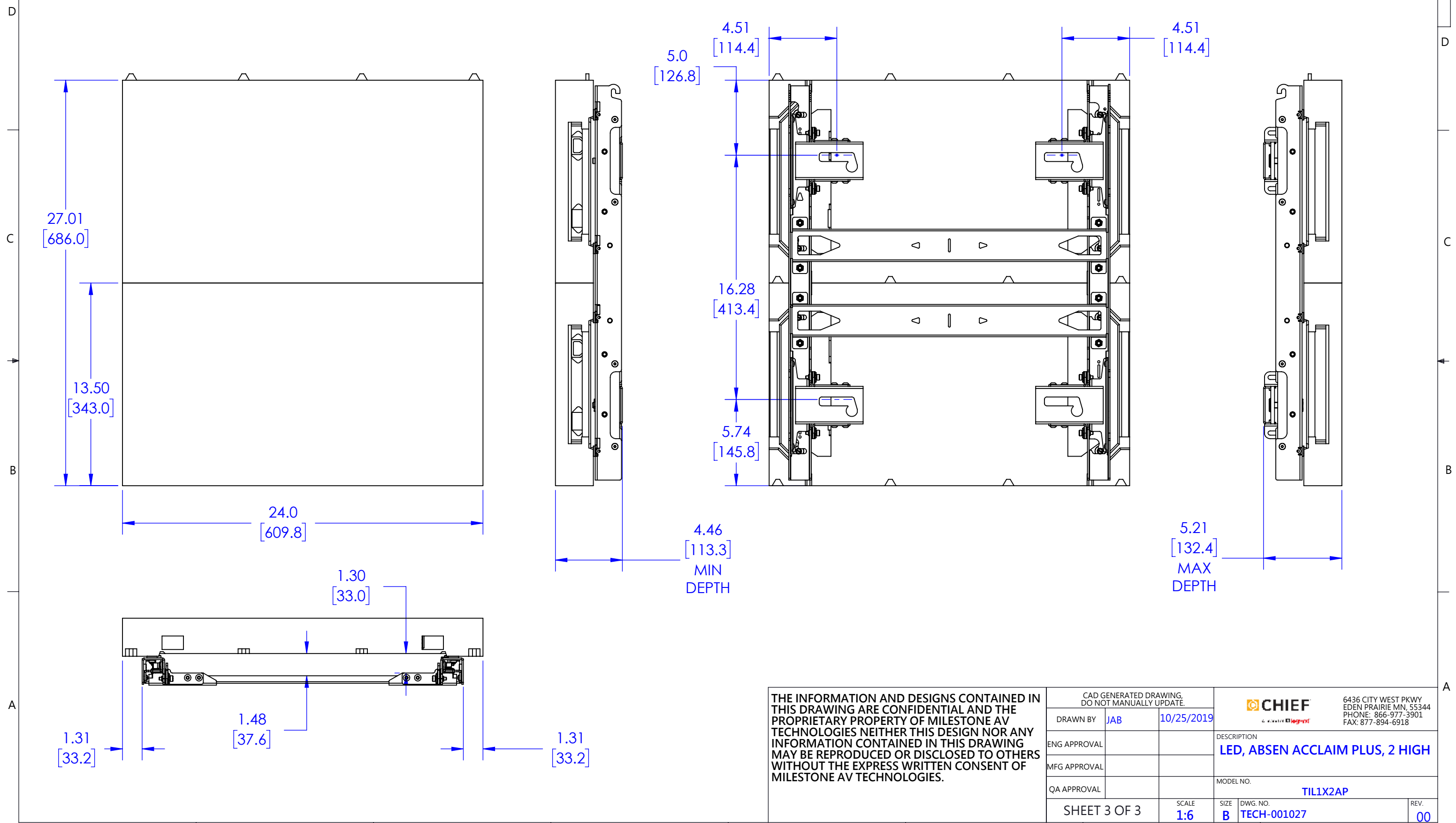
SHOWN WITH ABSEN ACCLAIM PRO, PLUS



THE INFORMATION AND DESIGNS CONTAINED IN THIS DRAWING ARE CONFIDENTIAL AND THE PROPRIETARY PROPERTY OF MILESTONE AV TECHNOLOGIES NEITHER THIS DESIGN NOR ANY INFORMATION CONTAINED IN THIS DRAWING MAY BE REPRODUCED OR DISCLOSED TO OTHERS WITHOUT THE EXPRESS WRITTEN CONSENT OF MILESTONE AV TECHNOLOGIES.

CAD GENERATED DRAWING, DO NOT MANUALLY UPDATE.		6436 CITY WEST PKWY EDEN PRAIRIE MN, 55344 PHONE: 866-977-3901 FAX: 877-894-6918	
DRAWN BY	JAB	10/25/2019	DESCRIPTION
ENG APPROVAL			LED, ABSEN ACCLAIM PLUS, 2 HIGH
MFG APPROVAL			MODEL NO.
QA APPROVAL			TILX2AP
SHEET 2 OF 3		SCALE	SIZE DWG. NO. REV.
		1:6	B TECH-001027 00

SHOWN WITH ABSEN ACCLAIM



THE INFORMATION AND DESIGNS CONTAINED IN THIS DRAWING ARE CONFIDENTIAL AND THE PROPRIETARY PROPERTY OF MILESTONE AV TECHNOLOGIES NEITHER THIS DESIGN NOR ANY INFORMATION CONTAINED IN THIS DRAWING MAY BE REPRODUCED OR DISCLOSED TO OTHERS WITHOUT THE EXPRESS WRITTEN CONSENT OF MILESTONE AV TECHNOLOGIES.

CAD GENERATED DRAWING, DO NOT MANUALLY UPDATE.				6436 CITY WEST PKWY EDEN PRAIRIE MN, 55344 PHONE: 866-977-3901 FAX: 877-894-6918	
DRAWN BY	JAB	10/25/2019	DESCRIPTION <b>LED, ABSEN ACCLAIM PLUS, 2 HIGH</b>		
ENG APPROVAL			MODEL NO. <b>TILX2AP</b>		
MFG APPROVAL			SIZE DWG. NO. REV. <b>B TECH-001027 00</b>		
QA APPROVAL			SHEET 3 OF 3 SCALE <b>1:6</b>		