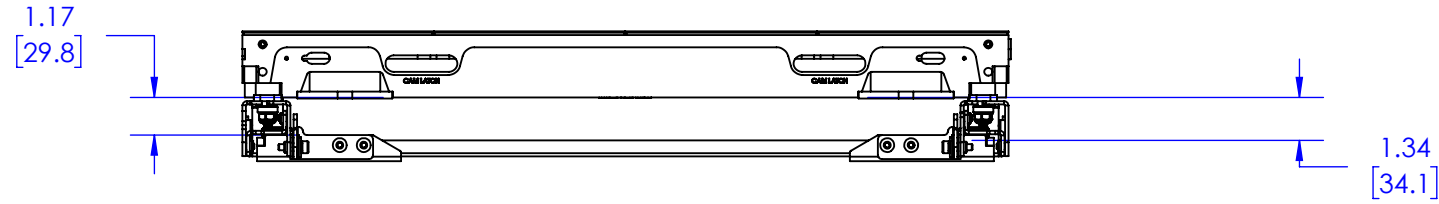
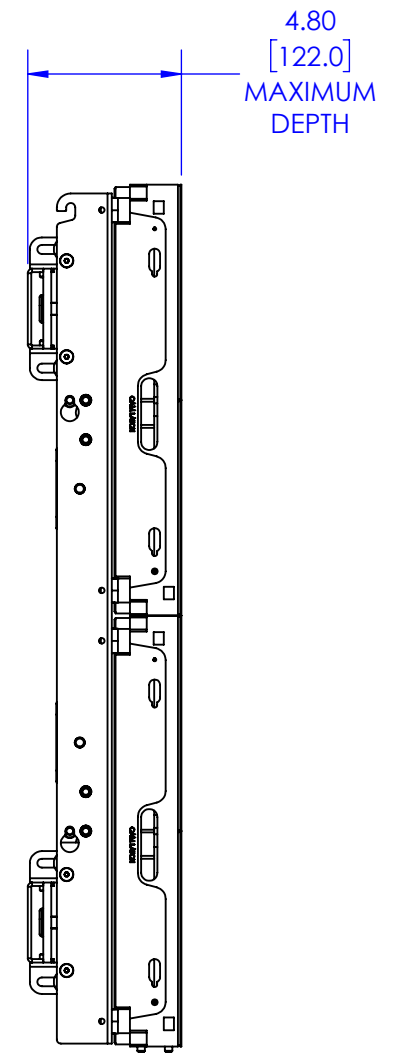
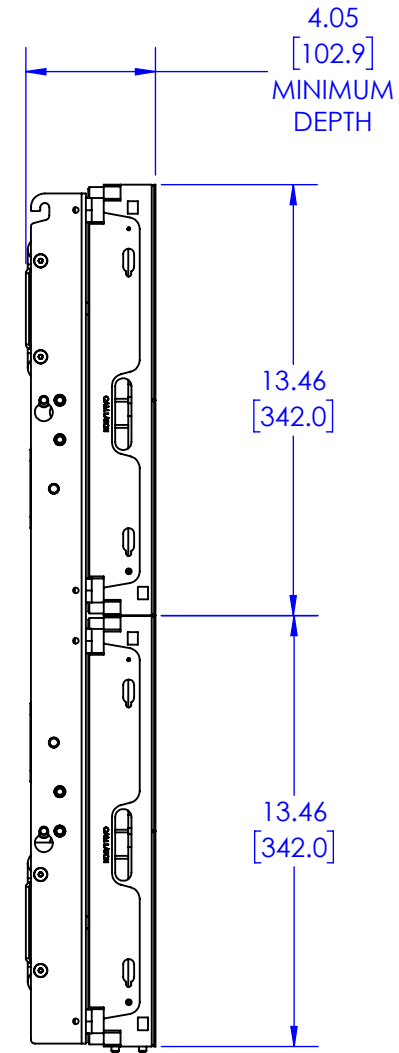
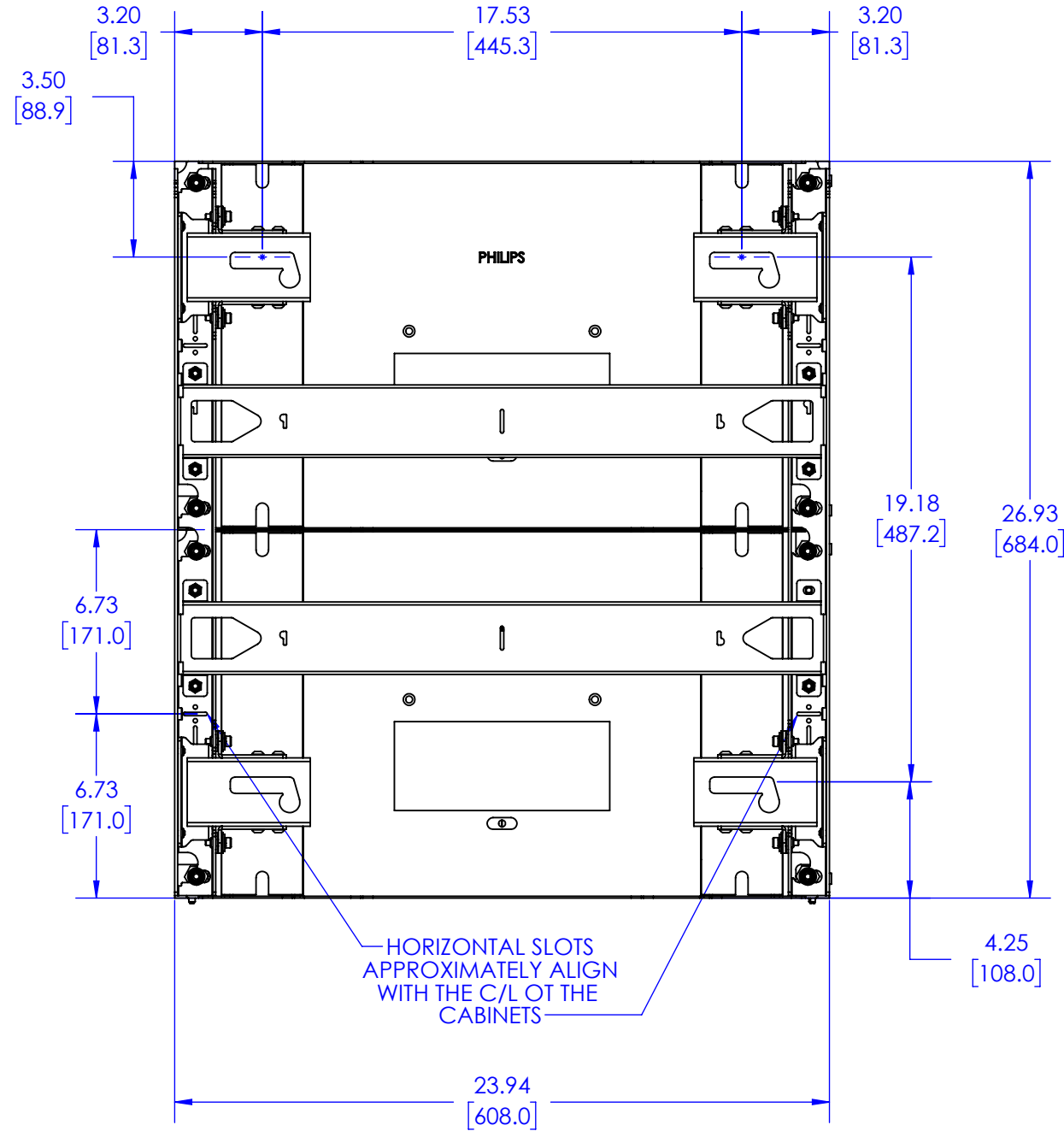


THE INFORMATION AND DESIGNS CONTAINED IN THIS DRAWING ARE CONFIDENTIAL AND THE PROPRIETARY PROPERTY OF LEGRAND | AV. NEITHER THIS DESIGN NOR ANY INFORMATION CONTAINED IN THIS DRAWING MAY BE REPRODUCED OR DISCLOSED TO OTHERS WITHOUT THE EXPRESS WRITTEN CONSENT OF LEGRAND | AV.

CAD GENERATED DRAWING, DO NOT MANUALLY UPDATE.			6436 CITY WEST PKWY EDEN PRAIRIE, MN, 55344 PHONE: 866-977-3901 FAX: 877-894-6918	
DRAWN BY	JAB 6/16/2020		DESCRIPTION TIL1X2PH TECH DRAWING	
ENG APPROVAL		MODEL NO. TIL1X2PH		
MFG APPROVAL		SCALE	SIZE	DWG. NO.
QA APPROVAL		1:6	B	TECH-001068
SHEET 1 OF 2		REV.	00	



SHOWN WITH PHILIPS BDL SERIES LED PANELS



THE INFORMATION AND DESIGNS CONTAINED IN THIS DRAWING ARE CONFIDENTIAL AND THE PROPRIETARY PROPERTY OF LEGRAND | AV. NEITHER THIS DESIGN NOR ANY INFORMATION CONTAINED IN THIS DRAWING MAY BE REPRODUCED OR DISCLOSED TO OTHERS WITHOUT THE EXPRESS WRITTEN CONSENT OF LEGRAND | AV.

CAD GENERATED DRAWING, DO NOT MANUALLY UPDATE.					6436 CITY WEST PKWY EDEN PRAIRIE MN, 55344 PHONE: 866-977-3901 FAX: 877-894-6918	
DRAWN BY	JAB	6/16/2020	DESCRIPTION TIL1X2PH TECH DRAWING			
ENG APPROVAL			MODEL NO. TIL1X2PH			
MFG APPROVAL			SCALE 1:6			
QA APPROVAL			SIZE	DWG. NO.	REV.	
SHEET 2 OF 2			B	TECH-001068	00	