

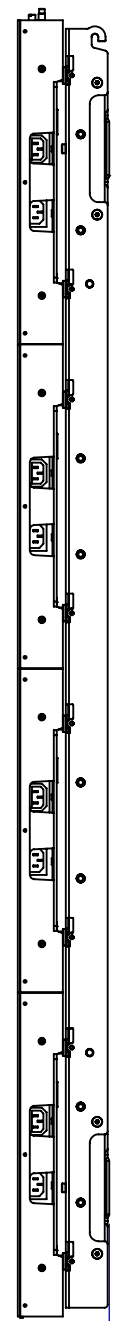
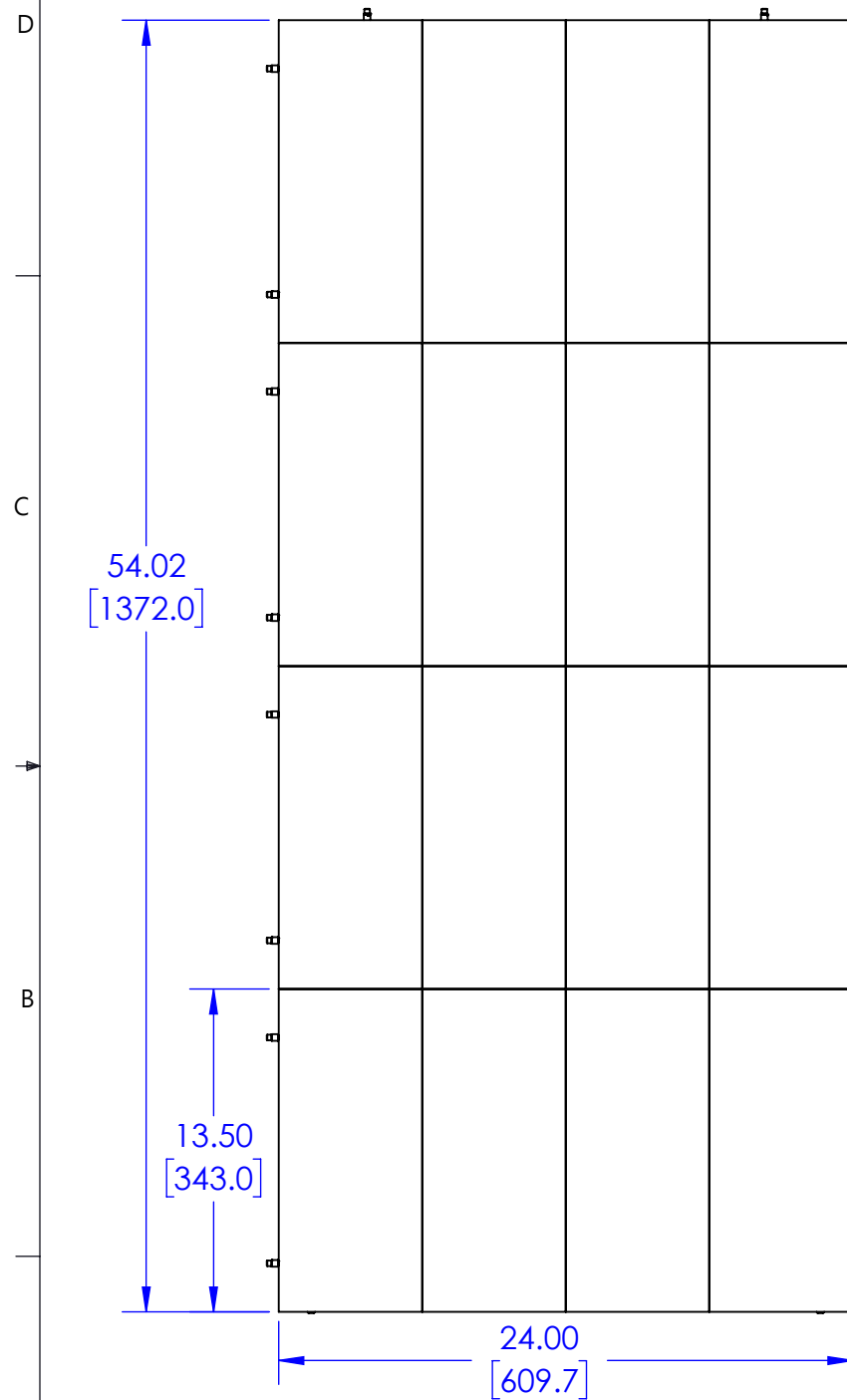
THE INFORMATION AND DESIGNS CONTAINED IN THIS DRAWING ARE CONFIDENTIAL AND THE PROPRIETARY PROPERTY OF MILESTONE AV TECHNOLOGIES NEITHER THIS DESIGN NOR ANY INFORMATION CONTAINED IN THIS DRAWING MAY BE REPRODUCED OR DISCLOSED TO OTHERS WITHOUT THE EXPRESS WRITTEN CONSENT OF MILESTONE AV TECHNOLOGIES.

CAD GENERATED DRAWING, DO NOT MANUALLY UPDATE.						6436 CITY WEST PKWY EDEN PRAIRIE MN, 55344 PHONE: 866-977-3901 FAX: 877-894-6918	
DRAWN BY	JAB	10/25/2019	DESCRIPTION				
ENG APPROVAL			LED, 1 X 4 HIGH				
MFG APPROVAL			MODEL NO.				
QA APPROVAL			TILX4AP				
SHEET 1 OF 3		SCALE	1:8	SIZE	B	DWG. NO.	TECH-001029
		REV.	00				

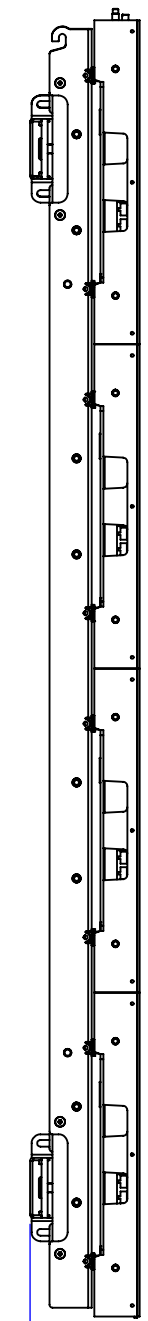
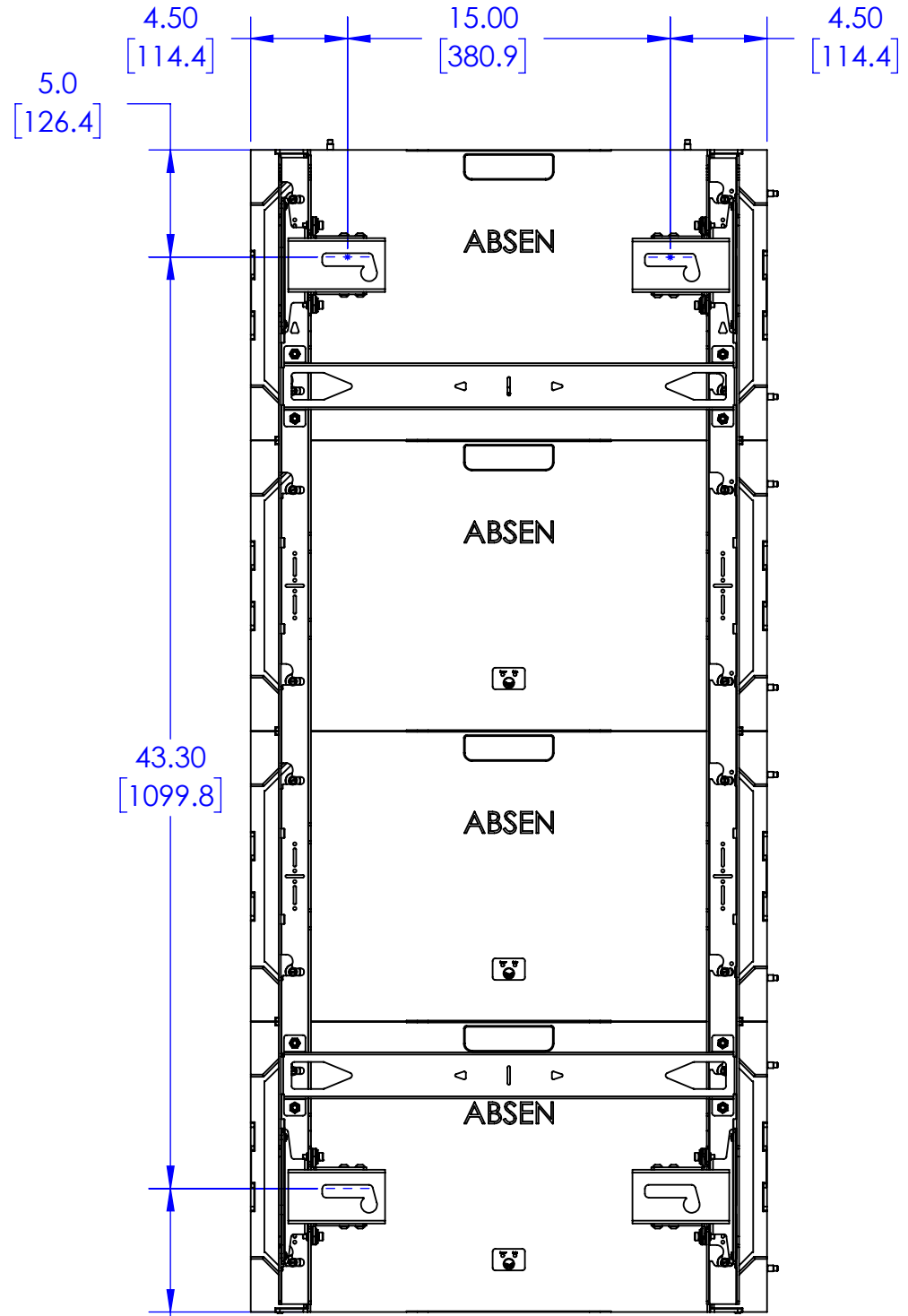
SHOWN WITH ABSEN ACCLAIM PRO, PLUS

STATUS: MM 11/01/2019 - RELEASED ON ECO: 500020769

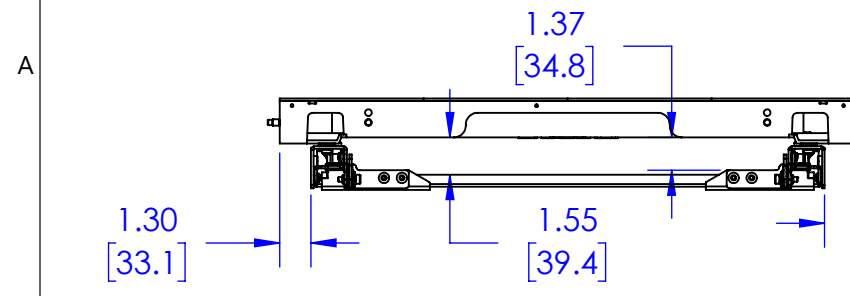
TECH-001029




3.81 [96.8] MIN. DEPTH



4.56 [115.9] MAX. DEPTH



THE INFORMATION AND DESIGNS CONTAINED IN THIS DRAWING ARE CONFIDENTIAL AND THE PROPRIETARY PROPERTY OF MILESTONE AV TECHNOLOGIES NEITHER THIS DESIGN NOR ANY INFORMATION CONTAINED IN THIS DRAWING MAY BE REPRODUCED OR DISCLOSED TO OTHERS WITHOUT THE EXPRESS WRITTEN CONSENT OF MILESTONE AV TECHNOLOGIES.

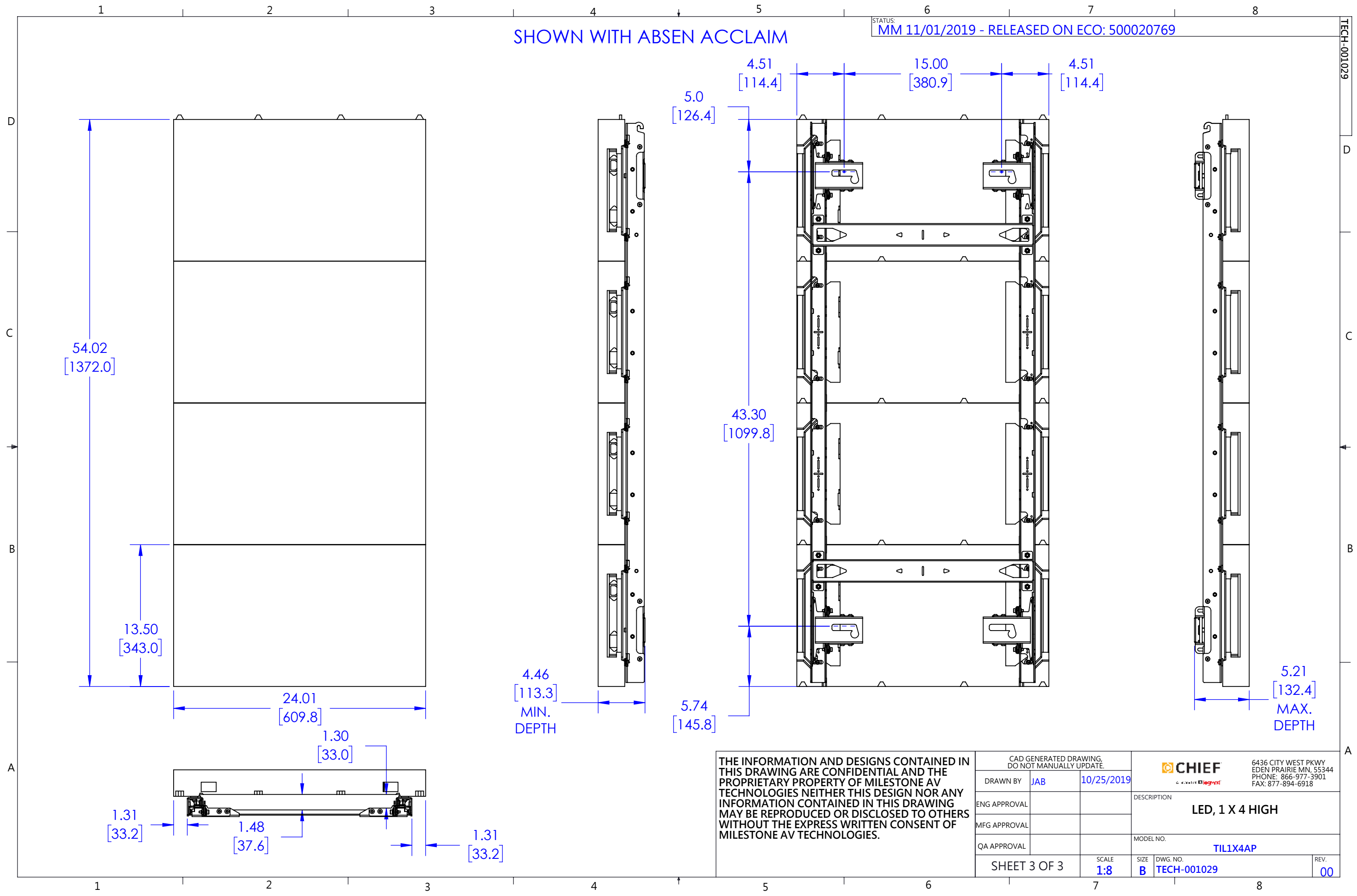
CAD GENERATED DRAWING, DO NOT MANUALLY UPDATE.			
DRAWN BY	JAB	10/25/2019	 6436 CITY WEST PKWY EDEN PRAIRIE MN, 55344 PHONE: 866-977-3901 FAX: 877-894-6918
ENG APPROVAL			
MFG APPROVAL			
QA APPROVAL			
SHEET 2 OF 3			DESCRIPTION LED, 1 X 4 HIGH
SCALE	1:8	SIZE	MODEL NO. TILX4AP
		DWG. NO.	TECH-001029
		REV.	00

A

SHOWN WITH ABSEN ACCLAIM

STATUS: MM 11/01/2019 - RELEASED ON ECO: 500020769

TECH-001029



THE INFORMATION AND DESIGNS CONTAINED IN THIS DRAWING ARE CONFIDENTIAL AND THE PROPRIETARY PROPERTY OF MILESTONE AV TECHNOLOGIES NEITHER THIS DESIGN NOR ANY INFORMATION CONTAINED IN THIS DRAWING MAY BE REPRODUCED OR DISCLOSED TO OTHERS WITHOUT THE EXPRESS WRITTEN CONSENT OF MILESTONE AV TECHNOLOGIES.

CAD GENERATED DRAWING, DO NOT MANUALLY UPDATE.		6436 CITY WEST PKWY EDEN PRAIRIE MN, 55344 PHONE: 866-977-3901 FAX: 877-894-6918	
DRAWN BY	JAB	10/25/2019	DESCRIPTION
ENG APPROVAL			LED, 1 X 4 HIGH
MFG APPROVAL			MODEL NO.
QA APPROVAL			TILX4AP
SHEET 3 OF 3		SCALE	SIZE DWG. NO. REV.
		1:8	B TECH-001029 00