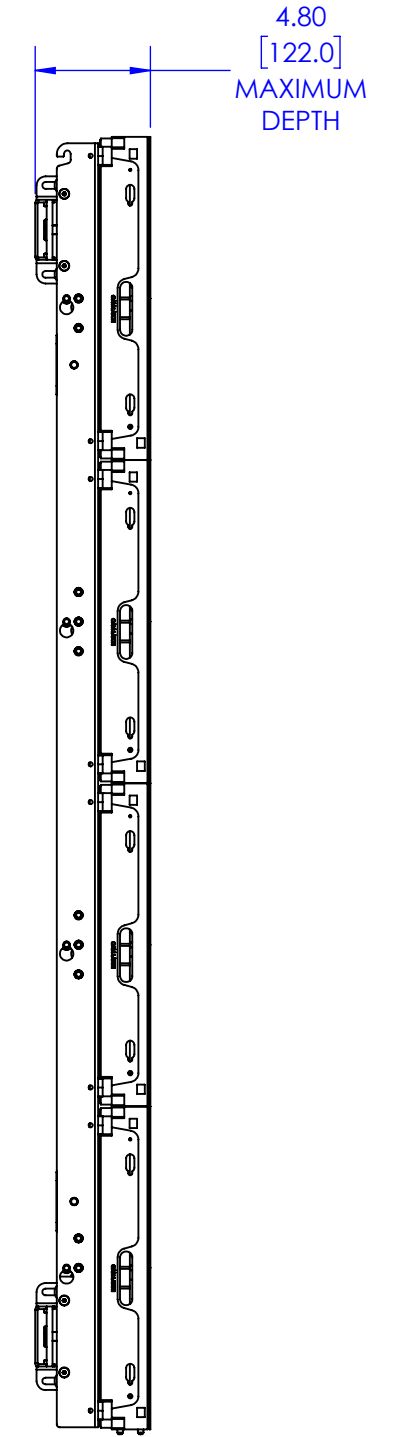
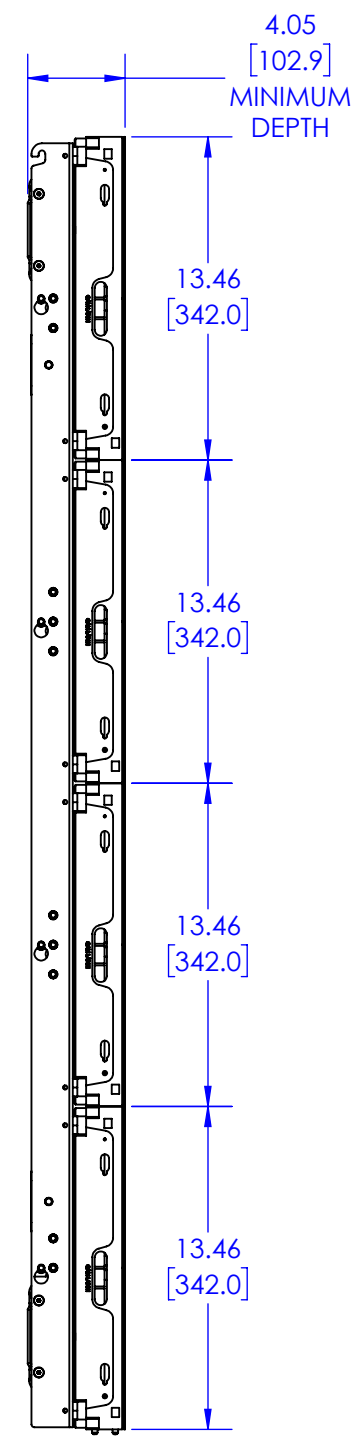
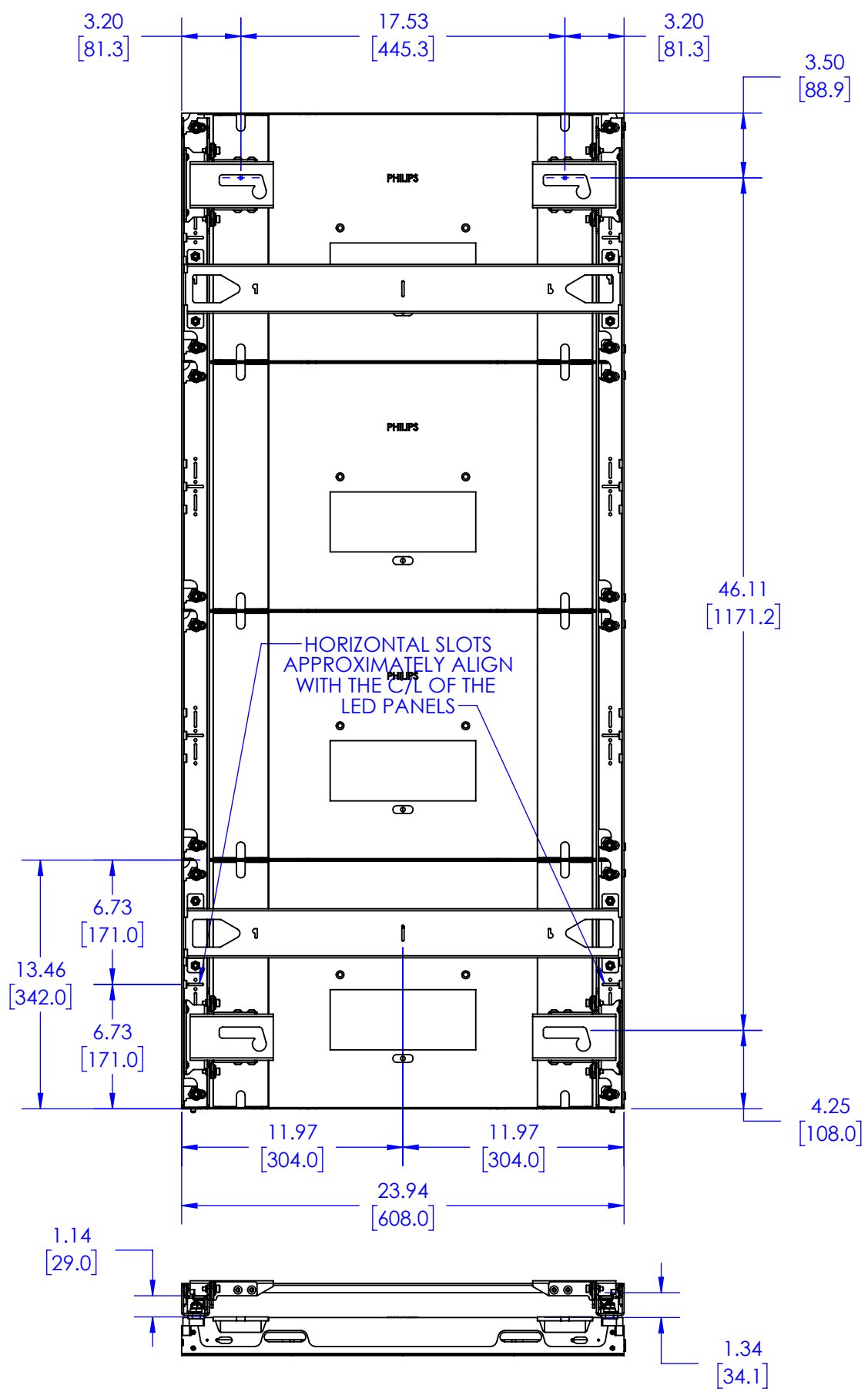


THE INFORMATION AND DESIGNS CONTAINED IN THIS DRAWING ARE CONFIDENTIAL AND THE PROPRIETARY PROPERTY OF LEGRAND | AV. NEITHER THIS DESIGN NOR ANY INFORMATION CONTAINED IN THIS DRAWING MAY BE REPRODUCED OR DISCLOSED TO OTHERS WITHOUT THE EXPRESS WRITTEN CONSENT OF LEGRAND | AV.

CAD GENERATED DRAWING, DO NOT MANUALLY UPDATE.					6436 CITY WEST PKWY EDEN PRAIRIE MN, 55344 PHONE: 866-977-3901 FAX: 877-894-6918	
DRAWN BY	JAB	3/5/2020	DESCRIPTION			
ENG APPROVAL			TIL1X4PH TECH DRAWING			
MFG APPROVAL			MODEL NO.			
QA APPROVAL			TIL1X4PH			
SHEET 1 OF 2		SCALE	SIZE	DWG. NO.	REV.	
		1:8	B	TECH-001070	00	

SHOWN WITH PHILIPS BDL SERIES LED PANELS



THE INFORMATION AND DESIGNS CONTAINED IN THIS DRAWING ARE CONFIDENTIAL AND THE PROPRIETARY PROPERTY OF LEGRAND | AV. NEITHER THIS DESIGN NOR ANY INFORMATION CONTAINED IN THIS DRAWING MAY BE REPRODUCED OR DISCLOSED TO OTHERS WITHOUT THE EXPRESS WRITTEN CONSENT OF LEGRAND | AV.

CAD GENERATED DRAWING, DO NOT MANUALLY UPDATE.						6436 CITY WEST PKWY EDEN PRAIRIE MN, 55344 PHONE: 866-977-3901 FAX: 877-894-6918	
DRAWN BY	JAB	3/5/2020	DESCRIPTION				
ENG APPROVAL			TIL1X4PH TECH DRAWING				
MFG APPROVAL			MODEL NO.				
QA APPROVAL			TIL1X4PH				
SHEET 2 OF 2		SCALE	1:8	SIZE	B	DWG. NO.	TECH-001070
							REV.
							00