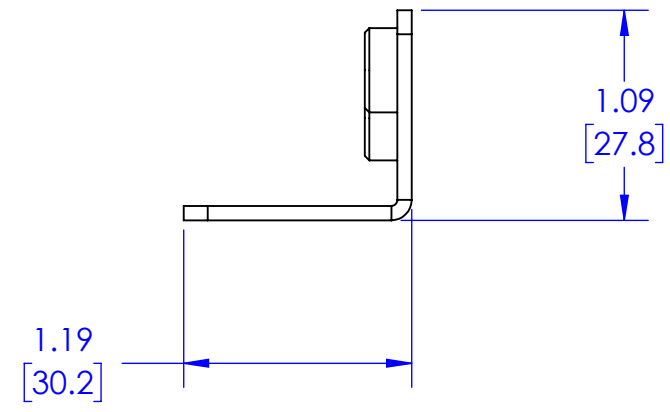
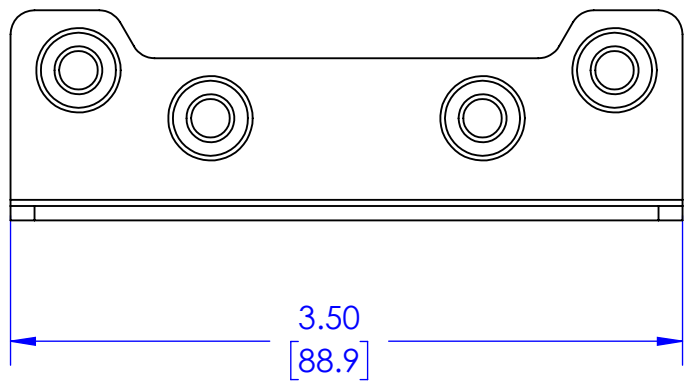



KIT INCLUDES 2 BRACKETS AND
8 ATTACHMENT SCREWS



THE INFORMATION AND DESIGNS CONTAINED IN THIS DRAWING ARE CONFIDENTIAL AND THE PROPRIETARY PROPERTY OF MILESTONE AV TECHNOLOGIES NEITHER THIS DESIGN NOR ANY INFORMATION CONTAINED IN THIS DRAWING MAY BE REPRODUCED OR DISCLOSED TO OTHERS WITHOUT THE EXPRESS WRITTEN CONSENT OF MILESTONE AV TECHNOLOGIES.

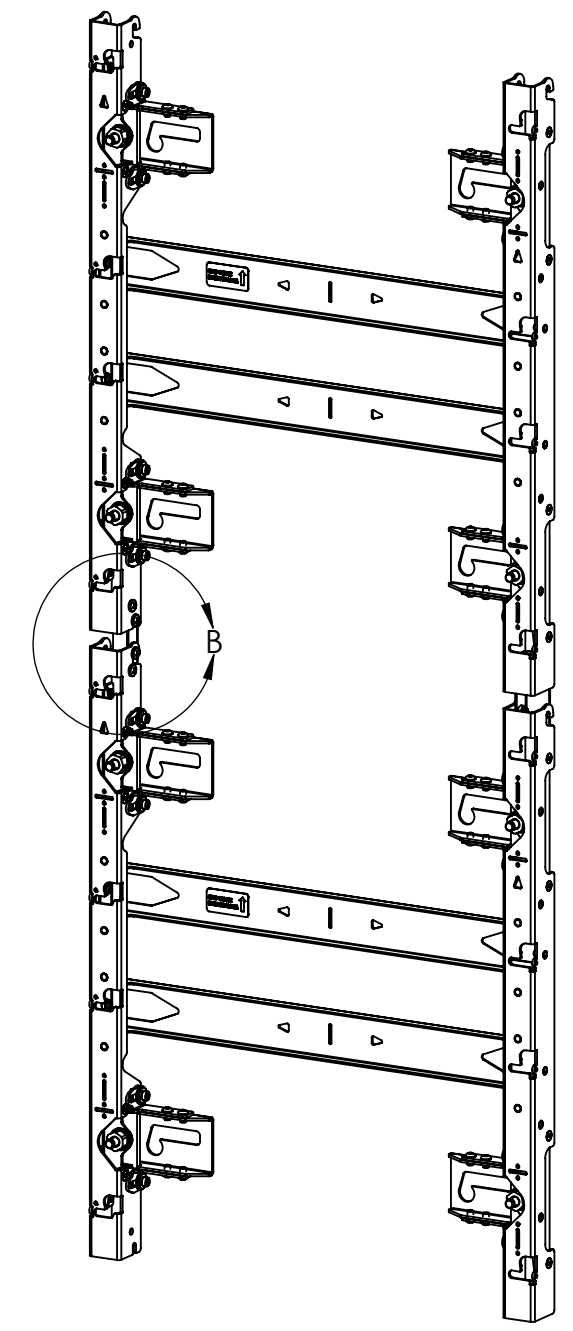
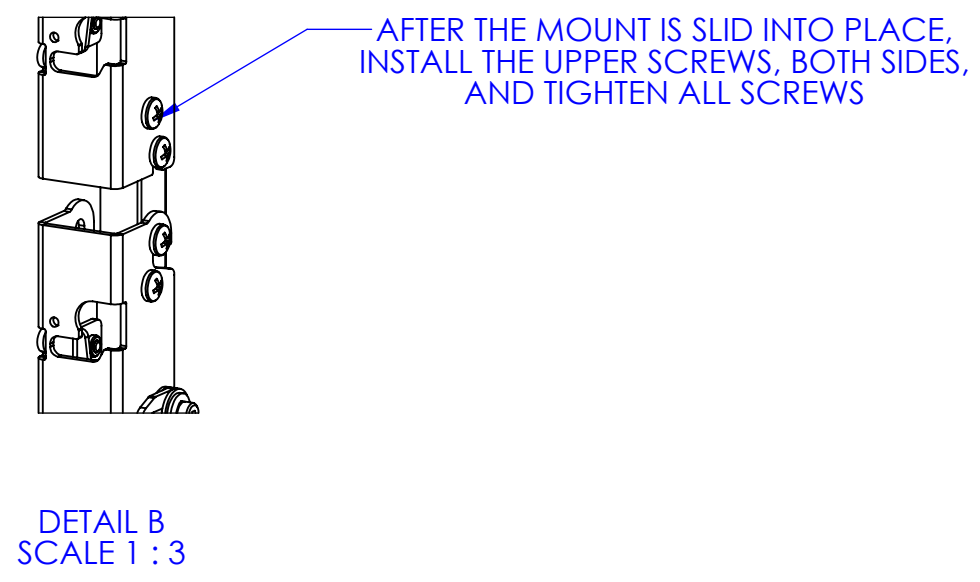
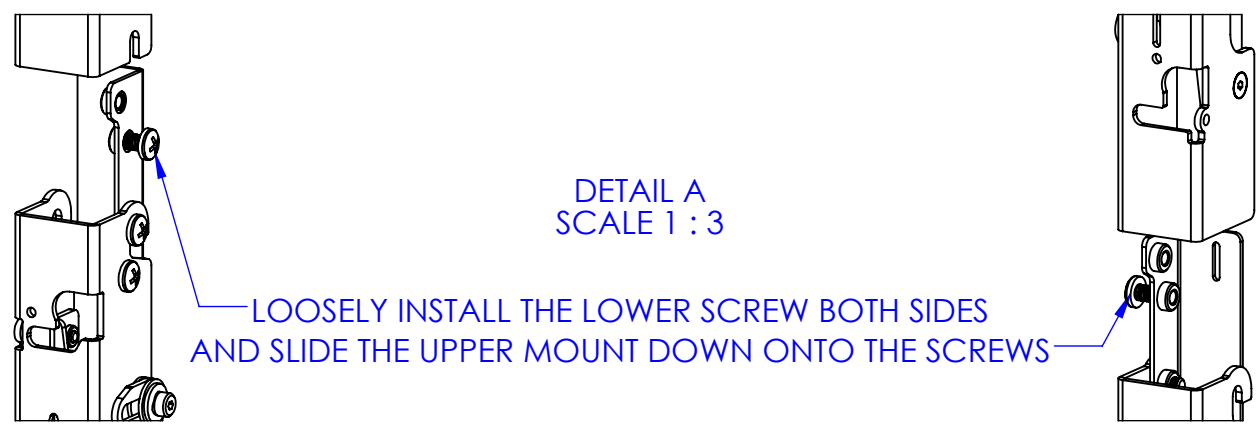
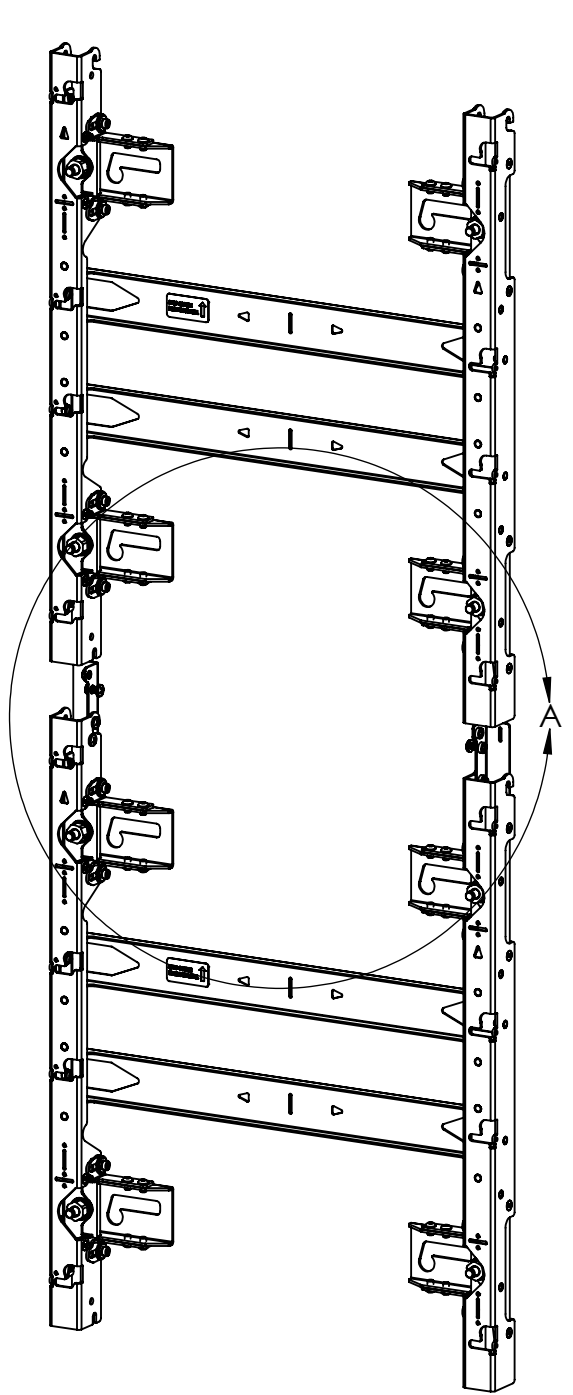
CAD GENERATED DRAWING, DO NOT MANUALLY UPDATE.			 6436 CITY WEST PKWY EDEN PRAIRIE MN, 55344 PHONE: 866-977-3901 FAX: 877-894-6918	
DRAWN BY	JAB	10/21/2019	DESCRIPTION LED MOUNT VERTICAL CONNECTOR KIT	
ENG APPROVAL			MODEL NO. TILVAB1	
MFG APPROVAL			SIZE	DWG. NO.
QA APPROVAL			B	TECH-001030
SHEET 1 OF 3		SCALE 1:1	REV.	00

ASSEMBLING FROM THE BOTTOM UP

1. LEVEL, PLUMB AND ATTACH THE LOWER MOUNT TO THE WALL
2. LOOSELY INSTALL THE LOWER BRACKET SCREW
3. SLID THE UPPER MOUNT DOWN ONTO THE PARTIALLY INSTALLED SCREW
4. INSTALL THE UPPER SCREWS ON BOTH SIDES AND TIGHTEN ALL SCREWS
5. LEVEL, PLUMB AND ATTACH THE UPPER MOUNT TO THE WALL

D
C
B
A

D
C
B
A

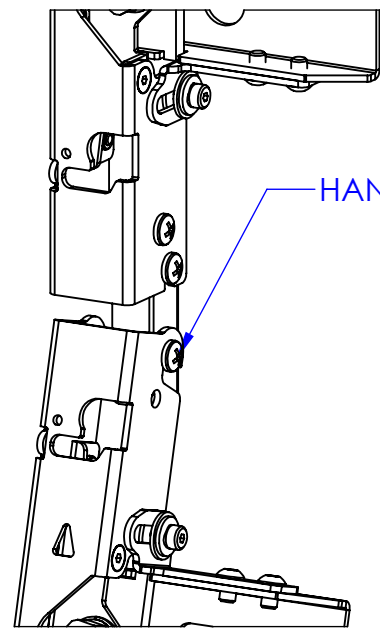
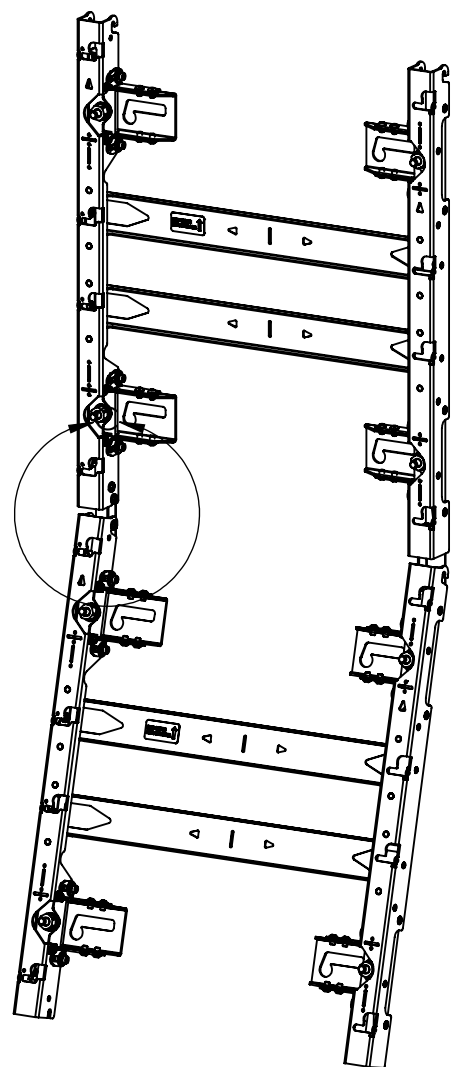


THE INFORMATION AND DESIGNS CONTAINED IN THIS DRAWING ARE CONFIDENTIAL AND THE PROPRIETARY PROPERTY OF MILESTONE AV TECHNOLOGIES NEITHER THIS DESIGN NOR ANY INFORMATION CONTAINED IN THIS DRAWING MAY BE REPRODUCED OR DISCLOSED TO OTHERS WITHOUT THE EXPRESS WRITTEN CONSENT OF MILESTONE AV TECHNOLOGIES.

CAD GENERATED DRAWING, DO NOT MANUALLY UPDATE.				6436 CITY WEST PKWY EDEN PRAIRIE MN, 55344 PHONE: 866-977-3901 FAX: 877-894-6918	
DRAWN BY	JAB	10/21/2019	DESCRIPTION		
ENG APPROVAL			LED MOUNT VERTICAL CONNECTOR KIT		
MFG APPROVAL			MODEL NO.		
QA APPROVAL			TILVAB1		
SHEET 2 OF 3		SCALE	SIZE	DWG. NO.	REV.
		1:8	B	TECH-001030	00

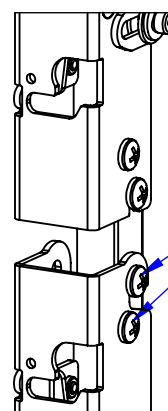
ASSEMBLING FROM THE TOP DOWN

1. LEVEL, PLUMB AND ATTACH THE UPPER MOUNT TO THE WALL
2. LOOSELY INSTALL THE UPPER BRACKET SCREW
3. HANG THE LOWER MOUNT ONTO THE PARTIALLY INSTALLED SCREW
4. LOWER THE MOUNT INTO PLACE
5. INSTALL THE LOWER SCREWS ON BOTH SIDES AND TIGHTEN ALL SCREWS
6. LEVEL, PLUMB AND ATTACH THE LOWER MOUNT TO THE WALL



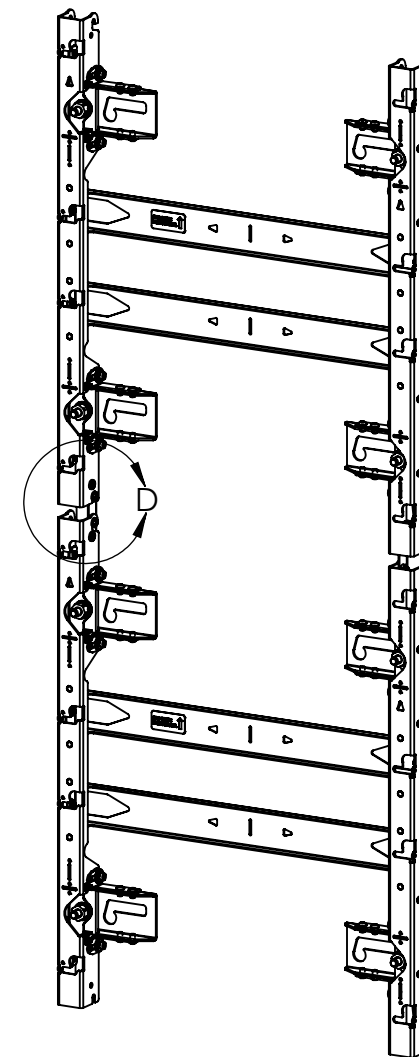
DETAIL C
SCALE 1 : 3

HANG LOWER MOUNT ON PARTIALLY
INSTALLED UPPER SCREWS




DETAIL D
SCALE 1 : 3

INSERT ALL SCREWS, BOTH SIDES,
AND TIGHTEN



THE INFORMATION AND DESIGNS CONTAINED IN THIS DRAWING ARE CONFIDENTIAL AND THE PROPRIETARY PROPERTY OF MILESTONE AV TECHNOLOGIES NEITHER THIS DESIGN NOR ANY INFORMATION CONTAINED IN THIS DRAWING MAY BE REPRODUCED OR DISCLOSED TO OTHERS WITHOUT THE EXPRESS WRITTEN CONSENT OF MILESTONE AV TECHNOLOGIES.

CAD GENERATED DRAWING, DO NOT MANUALLY UPDATE.			 6436 CITY WEST PKWY EDEN PRAIRIE MN, 55344 PHONE: 866-977-3901 FAX: 877-894-6918	
DRAWN BY	JAB	10/21/2019	DESCRIPTION LED MOUNT VERTICAL CONNECTOR KIT	
ENG APPROVAL			MODEL NO. TILVAB1	
MFG APPROVAL			SIZE	DWG. NO.
QA APPROVAL			B	TECH-001030
SHEET 3 OF 3		SCALE 1:10	REV.	00