



FEATURES

- 1 ULTRA LOW PROFILE**
Sleek design collapses to 1.5" (38 mm), providing an ultra-low profile for all types of TVs, including LED, LCD and Plasma.
- 2 EXTENDS UP TO 18" (457 mm)**
Full extension maximizes viewing potential.
- 3 CENTRIS® LOW-PROFILE TILT**
Provides up to 12° of effortless fingertip tilt to achieve optimal viewing angles.
- 4 INTEGRATED CABLE MANAGEMENT**
Enclosed, tool-less cable covers and a wide open wall plate make it easy to route power and signal cables, and connect to the wall for a seamless installation.



Touchboards

205 Westwood Ave, Long Branch, NJ 07740
 Phone: 866-94 BOARDS (26273) / (732)-222-1511
 Fax: (732)-222-7088 | E-mail: sales@touchboards.com

SPECIFICATIONS

Depth from Wall	1.5" (38 mm)
Extension	18" (457 mm)
Tilt	-12°
Max Mounting Pattern (H,W)	7.87" (200 mm)
Color	Black
Weight Capacity	35 lbs (15.9 kg)

WHAT YOU NEED TO KNOW

EASY INSTALLATION

Adjustable depth and home positioning clicks when the TV is safely and securely against the wall.

COMPATIBILITY

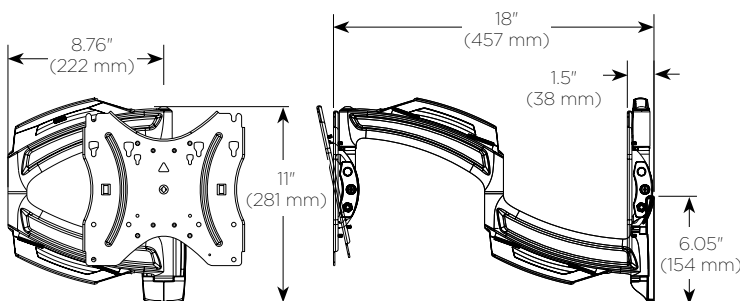
Suitable for screens up to 5" (127 mm) deep. See MountFinder™ PRO at chiefmfg.com to ensure compatibility.

OTHER PRODUCT OPTIONS



TS110SU
 10 - 32" Thinstall Single Stud Mount
 Extends 9.82" (250 mm)

TECHNICAL DRAWINGS



RECOMMENDED ACCESSORIES



TA110 ■ Thinstall Series Component Shelf
 - Below and Above



TA502 ■ In-Wall Accessory Box

For a complete list of Thinstall accessories see page **88 - 89**.