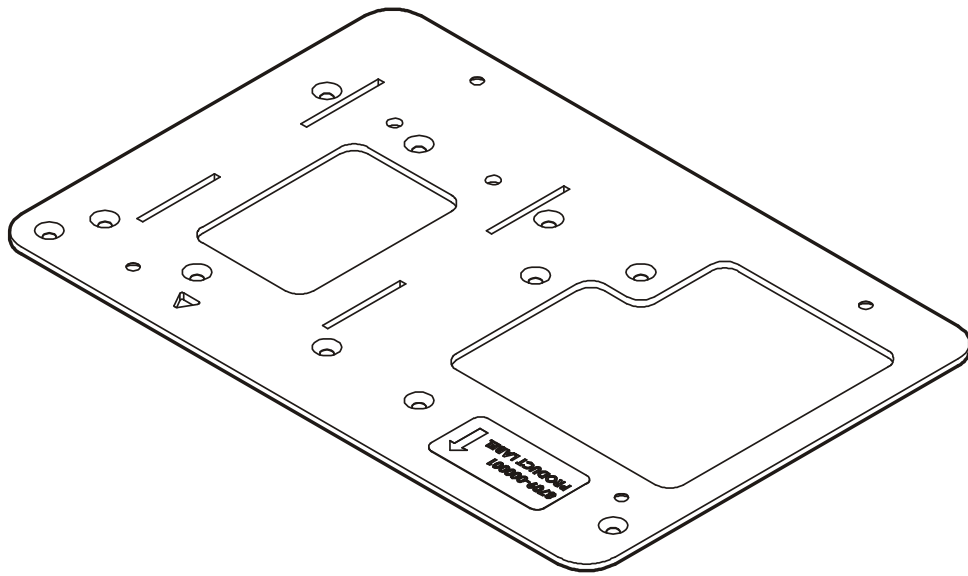

INSTALLATION INSTRUCTIONS



Retrofit Adapter Bracket


DISCLAIMER


Milestone AV Technologies and its affiliated corporations and subsidiaries (collectively “Milestone”), intend to make this manual accurate and complete. However, Milestone makes no claim that the information contained herein covers all details, conditions or variations, nor does it provide for every possible contingency in connection with the installation or use of this product. The information contained in this document is subject to change without notice or obligation of any kind. Milestone makes no representation of warranty, expressed or implied, regarding the information contained herein. Milestone assumes no responsibility for accuracy, completeness or sufficiency of the information contained in this document.


Chief® is a registered trademark of Milestone AV Technologies. All rights reserved.


SMART Board® is a registered trademark of SMART Technologies.


 **IMPORTANT SAFETY INSTRUCTIONS**


 **WARNING:** A WARNING alerts you to the possibility of serious injury or death if you do not follow the instructions.


 **CAUTION:** A CAUTION alerts you to the possibility of damage or destruction of equipment if you do not follow the corresponding instructions.


 **WARNING:** Failure to read, thoroughly understand, and follow all instructions can result in serious personal injury, damage to equipment, or voiding of factory warranty! It is the installer’s responsibility to make sure all components are properly assembled and installed using the instructions provided.

 **WARNING:** Failure to provide adequate structural strength for this component can result in serious personal injury or damage to equipment! It is the installer’s responsibility to verify the structure to which the existing SMART projector mount is attached can support five times the combined weight of all equipment. In addition, the installer is responsible to verify the existing SMART projector mount was installed according to the manufacturer’s requirements and is undamaged.

 **WARNING:** Exceeding the weight capacity can result in serious personal injury or damage to equipment! It is the installer’s responsibility to make sure the weight of the projector attached to the WBAUF1 does not exceed 9 lbs (4.1 kg).

 **WARNING:** Use this mounting system only for its intended use as described in these instructions. Do not use attachments not recommended by the manufacturer.

 **WARNING:** Never operate this mounting system if it is damaged. Return the mounting system to a service center for examination and repair.

 **WARNING:** Do not use this product outdoors.

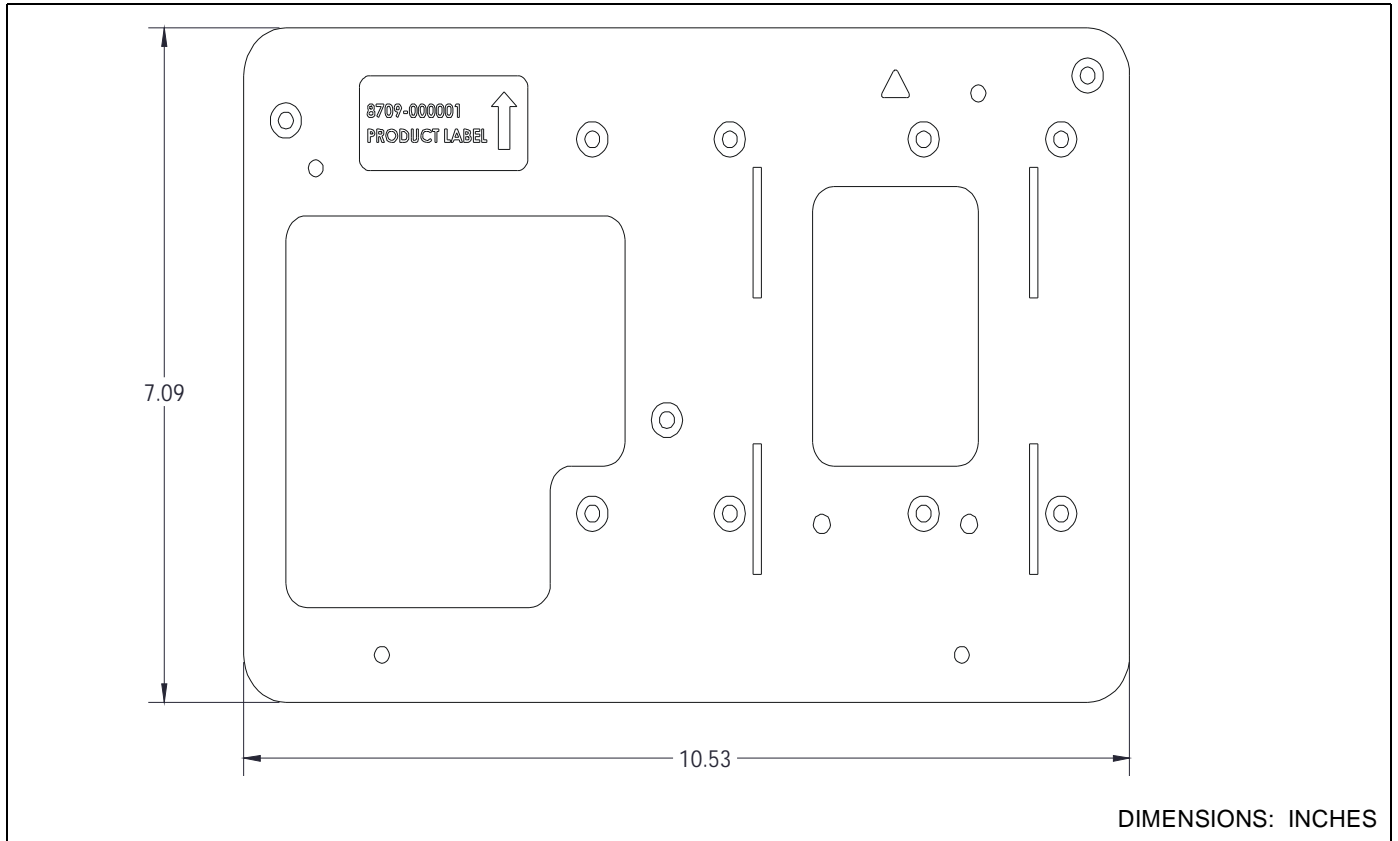
IMPORTANT ! : The WBAUF1 brackets are designed to be attached **ONLY** to the projectors (listed in Table 1) which are replacing existing SMART UF55, UF55W, UF65, and UF65W projectors used **ONLY** with SMART Board® Models SB660, SB680, SB880, SB685, or SB885 as listed in Table 1.

Table 1: Projector / SMART Board Information

Mfr	Proj Model	Proj Wt (lbs)	Native Proj. Aspect Ratio	SMART Board Models (i3 and i4 Series)		
				SB660 (4.3)	SB680 SB880 (4.3)	SB685 SB885 (16.10)
Epson	PowerLite 420XGA 3LCD	8.5	4:3	X	X	
Epson	PowerLite 430XGA 3LCD	8.7	4:3	X	X	
Epson	PowerLite 425W WXGA 3LCD	8.5	16:10			X
Epson	PowerLite 435W WXGA 3LCD	8.7	16:10			X
Hitachi	CP-D31N	8.2	4.3	X	X	
Hitachi	CP-D32WN	8.2	4.3		X	X
NEC	NP-M332XS	8.2	4.3	X	X	
NEC	NP-M352WS	8.2	16:10			X

--SAVE THESE INSTRUCTIONS--

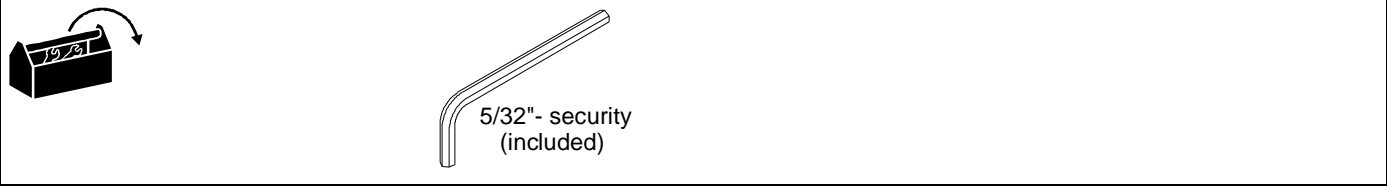
DIMENSIONS



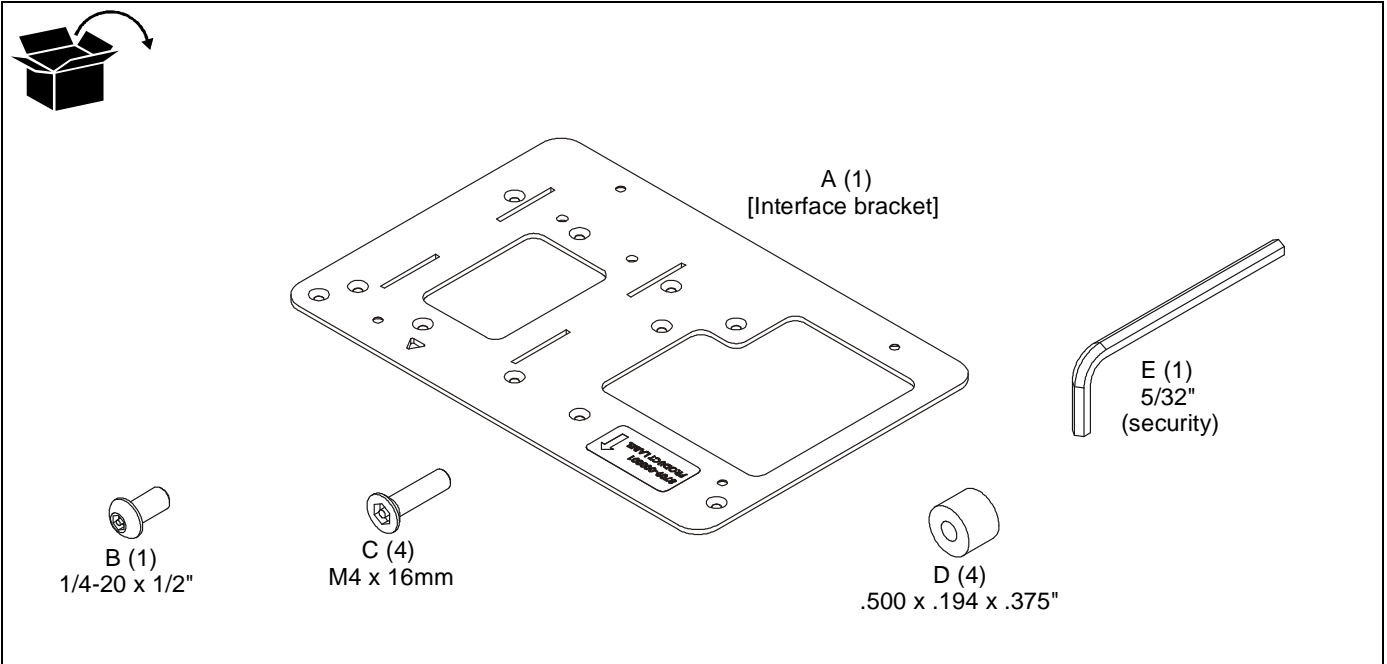
LEGEND

	Tighten Fastener
	Apretar elemento de fijación
	Befestigungsteil festziehen
	Apertar fixador
	Serrare il fissaggio
	Bevestiging vastdraaien
Serrez les fixations	
	Loosen Fastener
	Aflojar elemento de fijación
	Befestigungsteil lösen
	Desapertar fixador
	Allentare il fissaggio
	Bevestiging losdraaien
Desserrez les fixations	
	Security Wrench
	Llave de seguridad
	Sicherheitsschlüssel
	Chave de segurança
	Chiave di sicurezza
	Veiligheidssleutel
Clé de sécurité	
	Adjust
	Ajustar
	Einstellen
	Ajustar
	Regolare
	Afstellen
Ajuster	

TOOLS REQUIRED FOR INSTALLATION



PARTS



INSTALLATION



WARNING: OVER TIGHTENING OF SCREWS CAN DAMAGE PARTS AND MAY LEAD TO SERIOUS PERSONAL INJURY AND DAMAGE TO EQUIPMENT! DO NOT over tighten screws when installing interface bracket.

IMPORTANT ! : Line up the triangle on the interface bracket (A) with the center of the projector lens to match up with the correct mounting hole pattern. The interface bracket (A) may be flipped over to accommodate all required mounting hole patterns.

1. Turn projector upside down on a flat surface.
2. Place four spacers (D) over the threaded inserts in the bottom of the projector.
3. Place the interface bracket (A) onto the bottom of the projector, aligning the mounting holes in the bracket with the spacers and threaded inserts in the bottom of the projector, and ensuring that triangle in bracket points towards front of projector, and lines up with center of the projector lens. (See Figure 1)
4. Position M4 x 16mm flat head security screws (C) into the mounting holes, through the spacers and into the threaded inserts.
5. Tighten all fasteners at this time, securing the bracket to the projector.

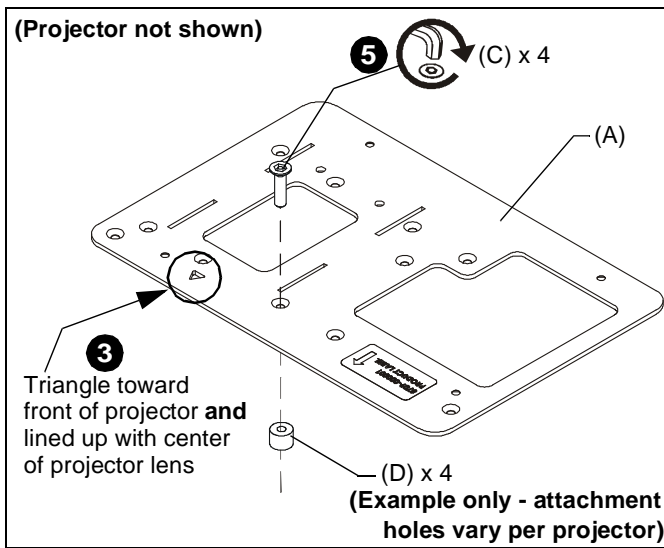


Figure 1

6. Lift interface bracket (A) with projector up to end of the existing SMART Board projector mount arm, and slide interface bracket slots onto hooks. (See Figure 2)

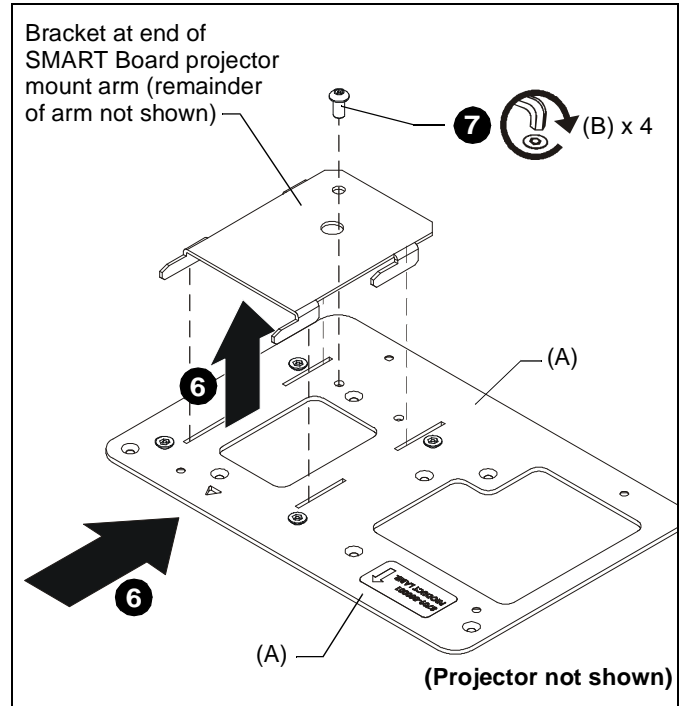


Figure 2

7. Fasten interface bracket (A) to end of SMART Board projector arm using one 1/4-20 x 1/2" button head security screw (B). (See Figure 2)

8. Adjust SMART Board projector arm to correct location according to projector model and SMART Board model, and following information in Table 2. (See Figure 3)
9. Fasten SMART Board projector arm in place using hardware provided with SMART Board projector arm system.

Table 2: SMART Board Projector Arm Adjustment

Manufacturer	Projector Model	SMART Board Models (i3 and i4 Series)		
		SB660 (4.3)	SB680 SB880 (4.3)	SB685 SB885 (16.10)
Epson	PowerLite 420XGA 3LCD		Holes 4 & 5	
Epson	PowerLite 430XGA 3LCD		Holes 4 & 5	
Epson	PowerLite 425W WXGA 3LCD	Holes 1 & 2		Holes 4 & 5
Epson	PowerLite 435W WXGA 3LCD	Holes 1 & 2		Holes 4 & 5
Hitachi	CP-D31N		Holes 2 & 3	
Hitachi	CP-D32WN		Holes 1 & 2 (SB880 only)	Holes 4 & 5 (SB885 only)
NEC	NP-M332XS		Holes 4 & 5	
NEC	NP-M352WS	Holes 2 & 3		

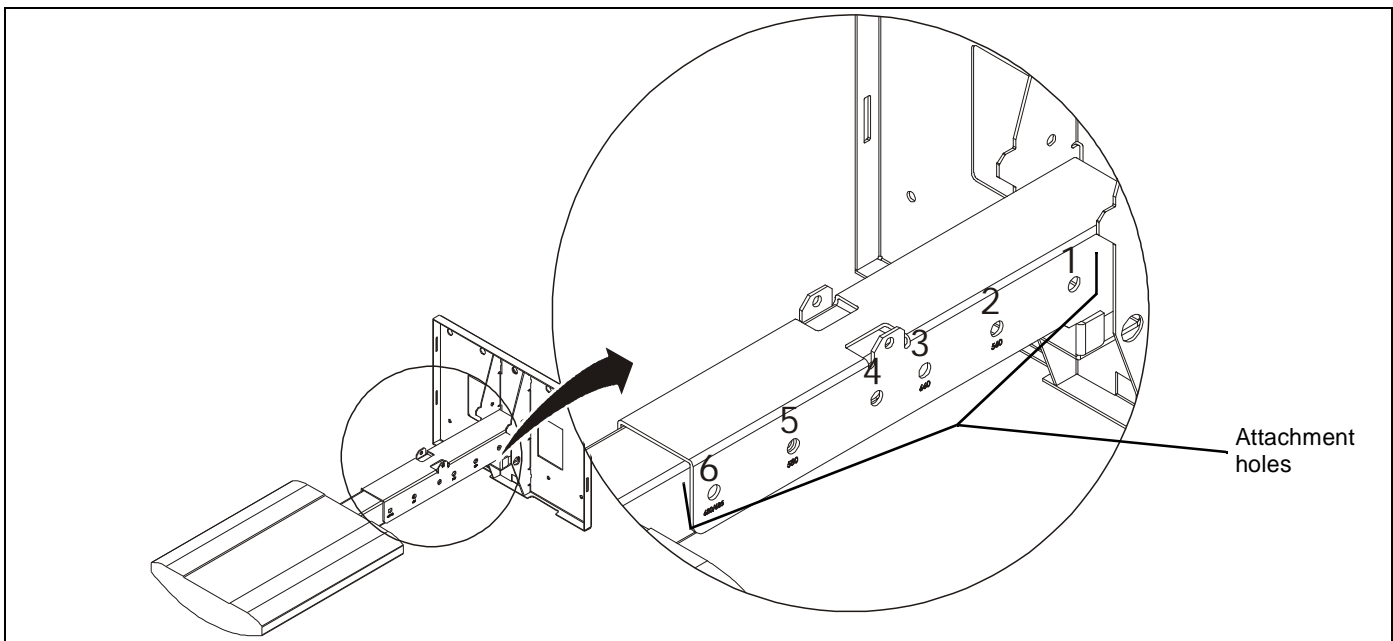


Figure 3



Our Mounts. **Your Vision.**

Chief, a products division of
Milestone AV Technologies

8800-002609 Rev00
©2014 Milestone AV Technologies
www.chiefmfg.com
07/14

USA/International **A** 6436 City West Parkway, Eden Prairie, MN 55344
 P 800.582.6480 / 952.225.6000
 F 877.894.6918 / 952.894.6918

Europe **A** Franklinstraat 14, 6003 DK Weert, Netherlands
 P +31 (0) 495 580 852
 F +31 (0) 495 580 845

Asia Pacific **A** Office No. 918 on 9/F, Shatin Galleria
 18-24 Shan Mei Street
 Fotan, Shatin, Hong Kong
 P 852 2145 4099
 F 852 2145 4477

