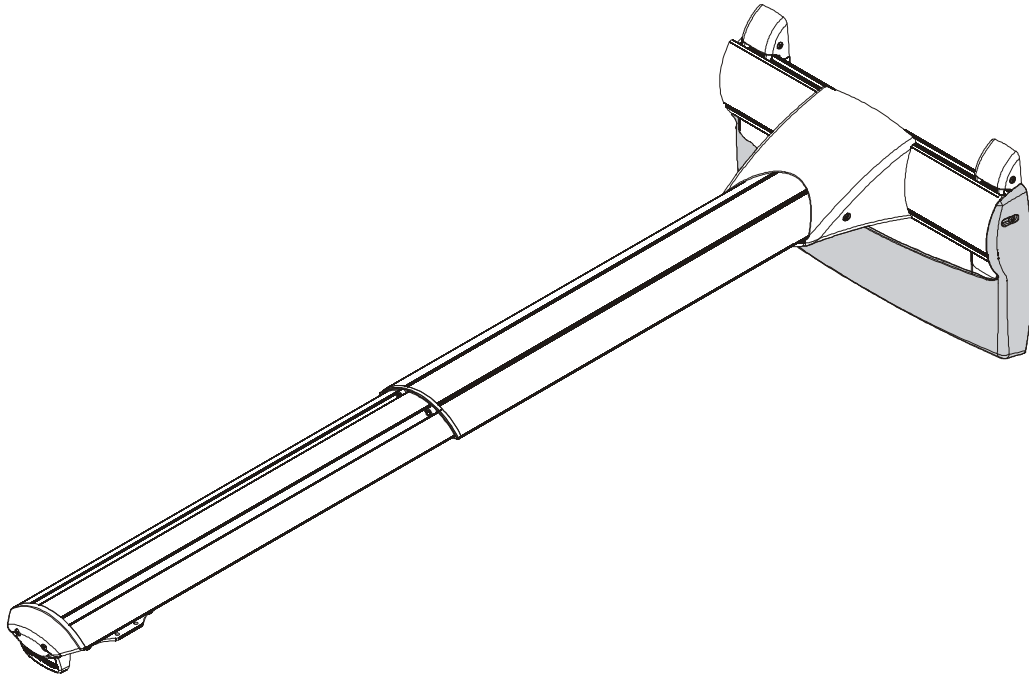

INSTALLATION INSTRUCTIONS



Short Throw Wall Plate

DISCLAIMER

Milestone AV Technologies and its affiliated corporations and subsidiaries (collectively "Milestone"), intend to make this manual accurate and complete. However, Milestone makes no claim that the information contained herein covers all details, conditions or variations, nor does it provide for every possible contingency in connection with the installation or use of this product. The information contained in this document is subject to change without notice or obligation of any kind. Milestone makes no representation of warranty, expressed or implied, regarding the information contained herein. Milestone assumes no responsibility for accuracy, completeness or sufficiency of the information contained in this document.

Chief® is a registered trademark of Milestone AV Technologies. All rights reserved.



CAUTION: A CAUTION alerts you to the possibility of damage or destruction of equipment if you do not follow the corresponding instructions.



WARNING: Failure to read, thoroughly understand, and follow all instructions can result in serious personal injury, damage to equipment, or voiding of factory warranty! It is the installer's responsibility to make sure all components are properly assembled and installed using the instructions provided.

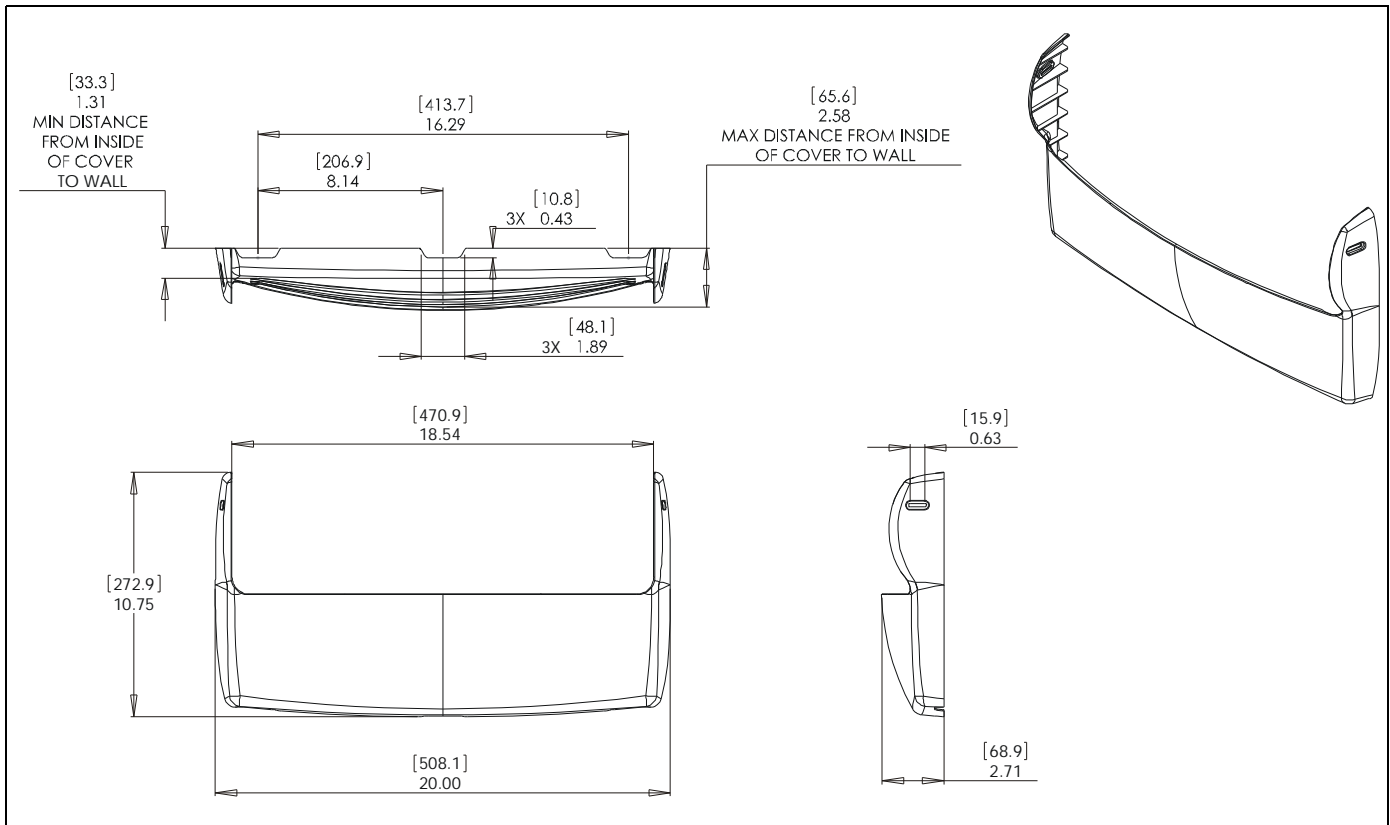


IMPORTANT WARNINGS AND CAUTIONS!

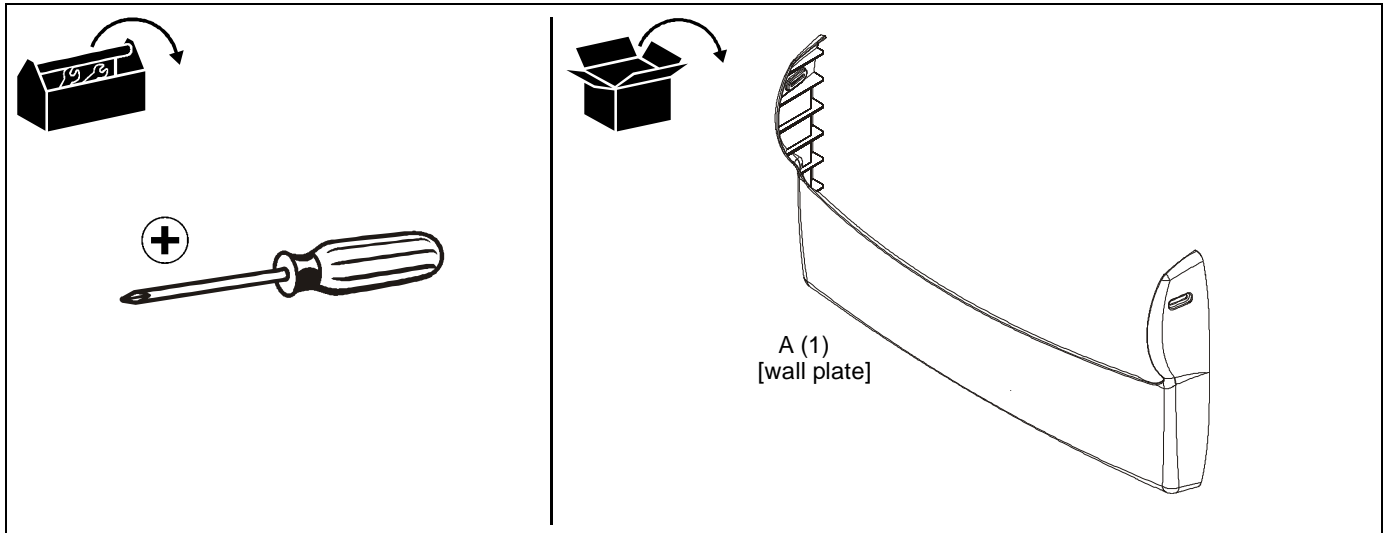


WARNING: A WARNING alerts you to the possibility of serious injury or death if you do not follow the instructions.

DIMENSIONS



TOOLS / PARTS FOR INSTALLATION



ASSEMBLY AND INSTALLATION

NOTE: The WMAC16 short throw wall plate can be used on any length dual stud short throw wall mount (WM2 Series).

1. Remove endcaps from short throw mount by removing four Phillips pan head sheet metal screws. (See Figure 1)

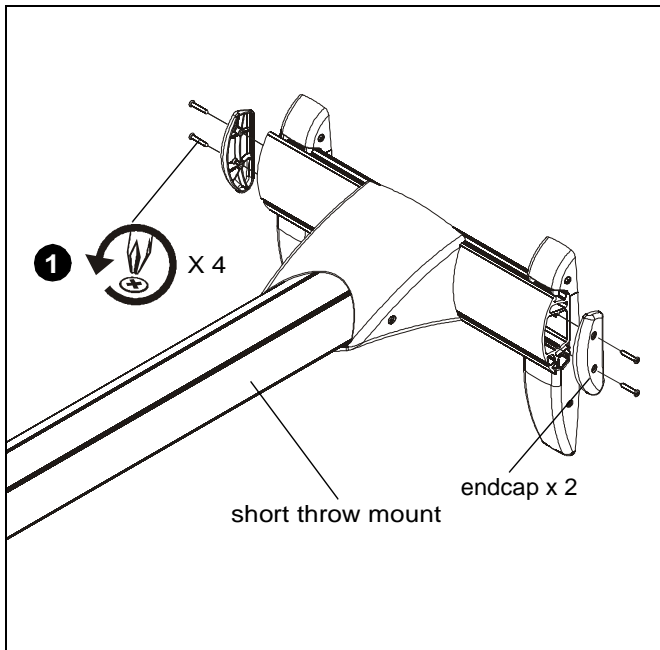


Figure 1

2. Loosely attach short throw wall plate (A) to short throw wall mount using two of the Phillips pan head sheet metal screws removed in Step 1. (See Figure 2)

IMPORTANT ! : Only partially tighten screws so that cover may be lifted forward to manage cables in next step.

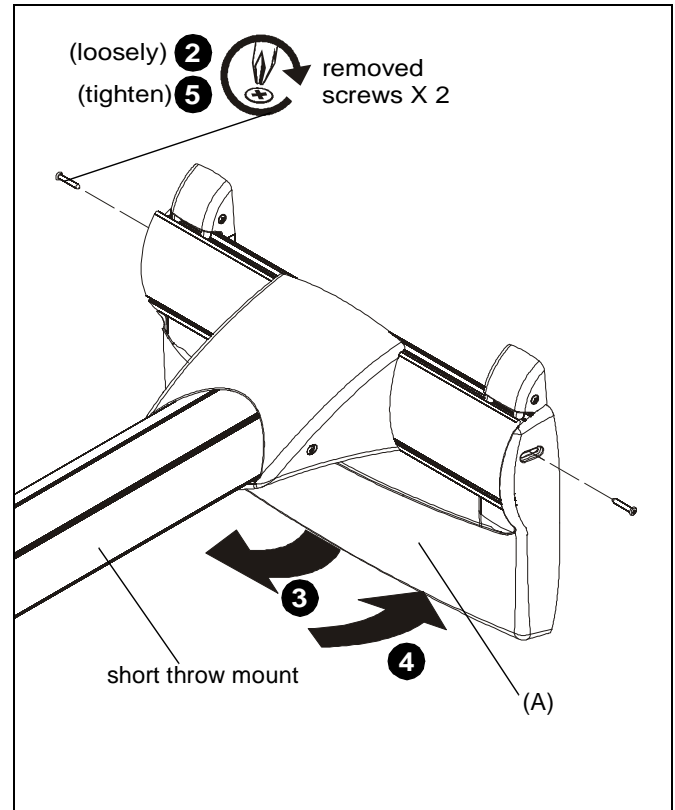


Figure 2

3. Lift short throw wall plate (A) forward and organize cables underneath it as desired. (See Figure 2)
4. Slide short throw wall plate (A) back against wall. (See Figure 2)
5. Tighten two screws to secure wall plate to mount. (See Figure 2)



Our Mounts. **Your Vision.**

Chief Manufacturing, a products division
of Milestone AV Technologies

8803-002013 Rev00
©2010 Milestone AV Technologies, a
Duchossois Group Company
www.chiefmfg.com
06/10

USA/International	A 8401 Eagle Creek Parkway, Savage, MN 55378 P 800.582.6480 / 952.894.6280 F 877.894.6918 / 952.894.6918
Europe	A Fellenoord 130 5611 ZB EINDHOVEN, The Netherlands P +31 (0)40 2668620 F +31 (0)40 2668615
Asia Pacific	A Office No. 1 on 12/F, Shatin Galleria 18-24 Shan Mei Street Fotan, Shatin, Hong Kong P 852 2145 4099 F 852 2145 4477

