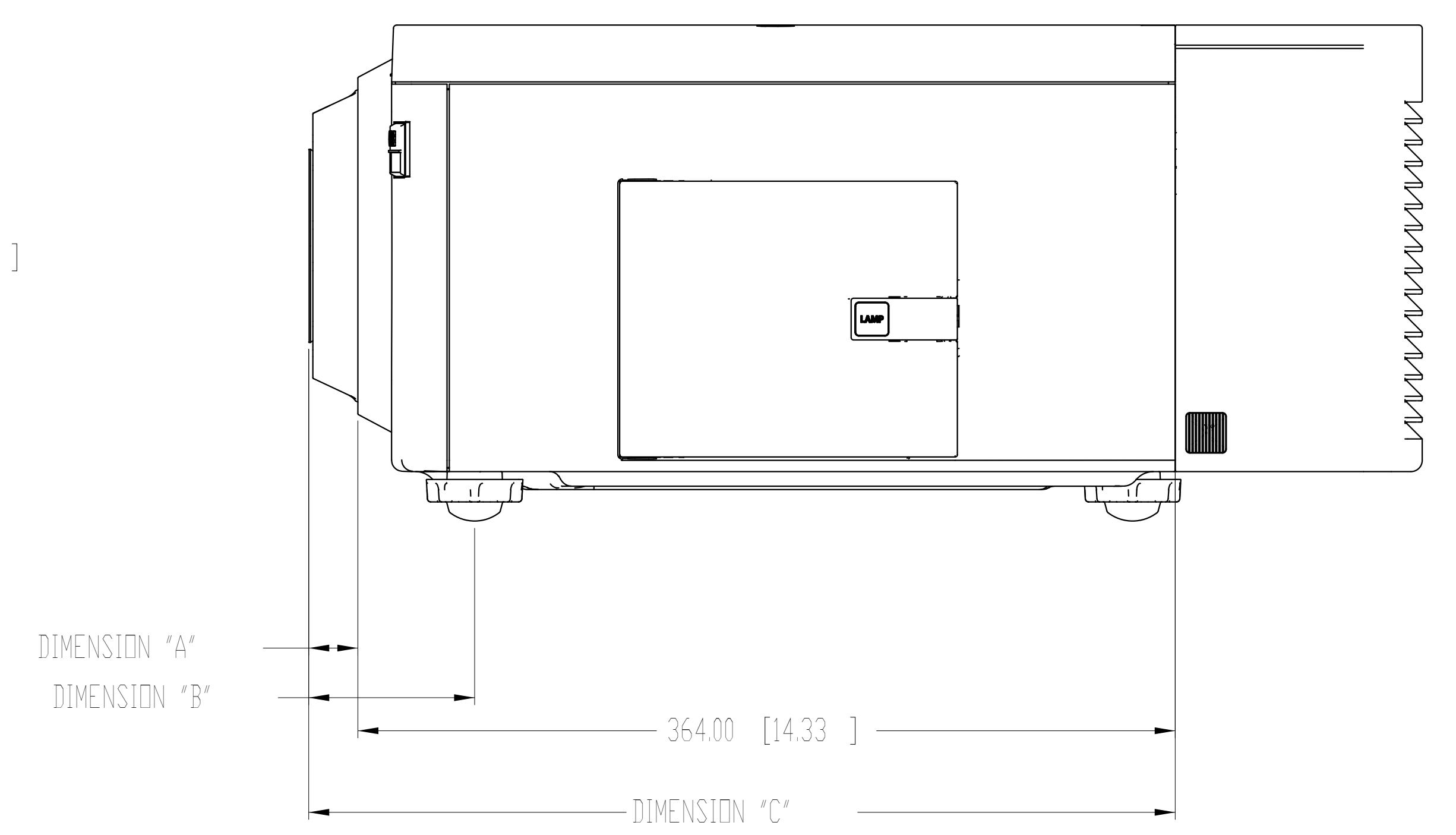
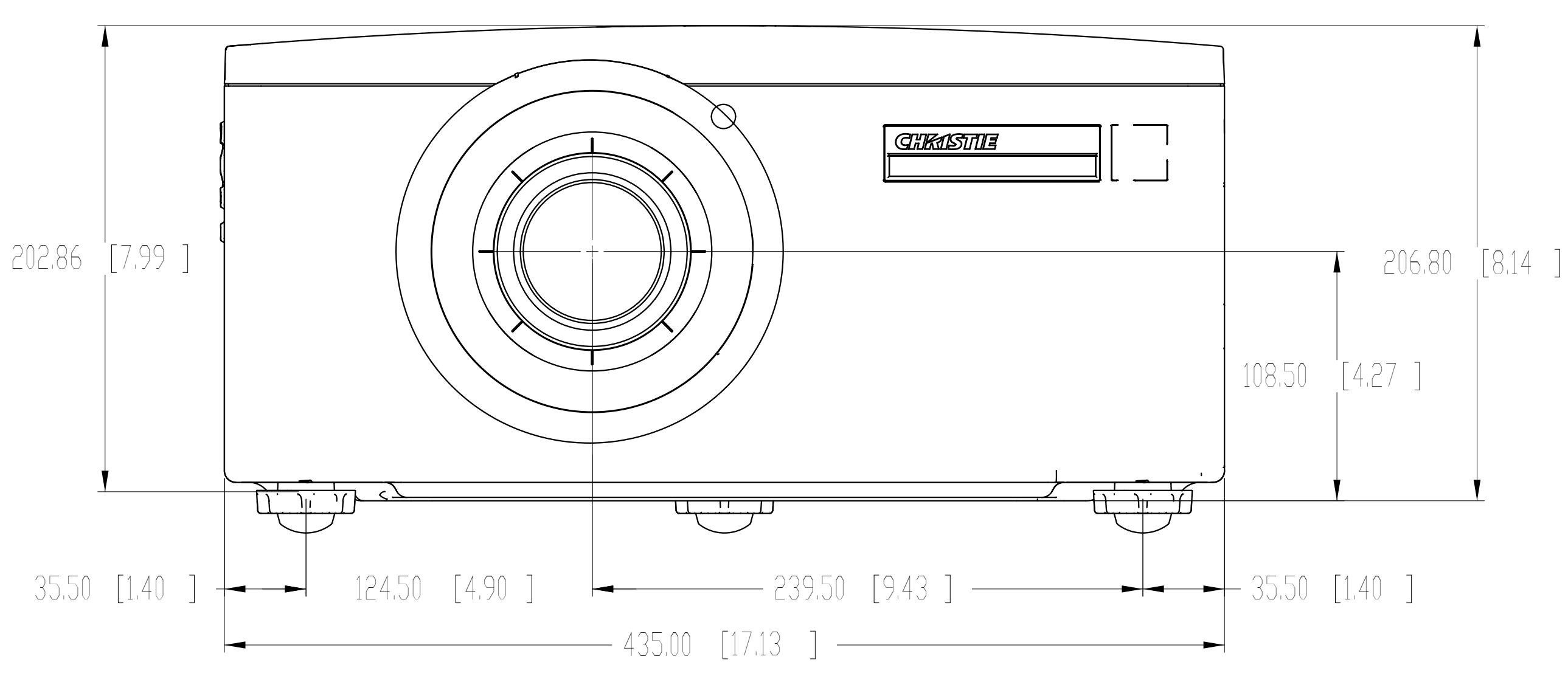
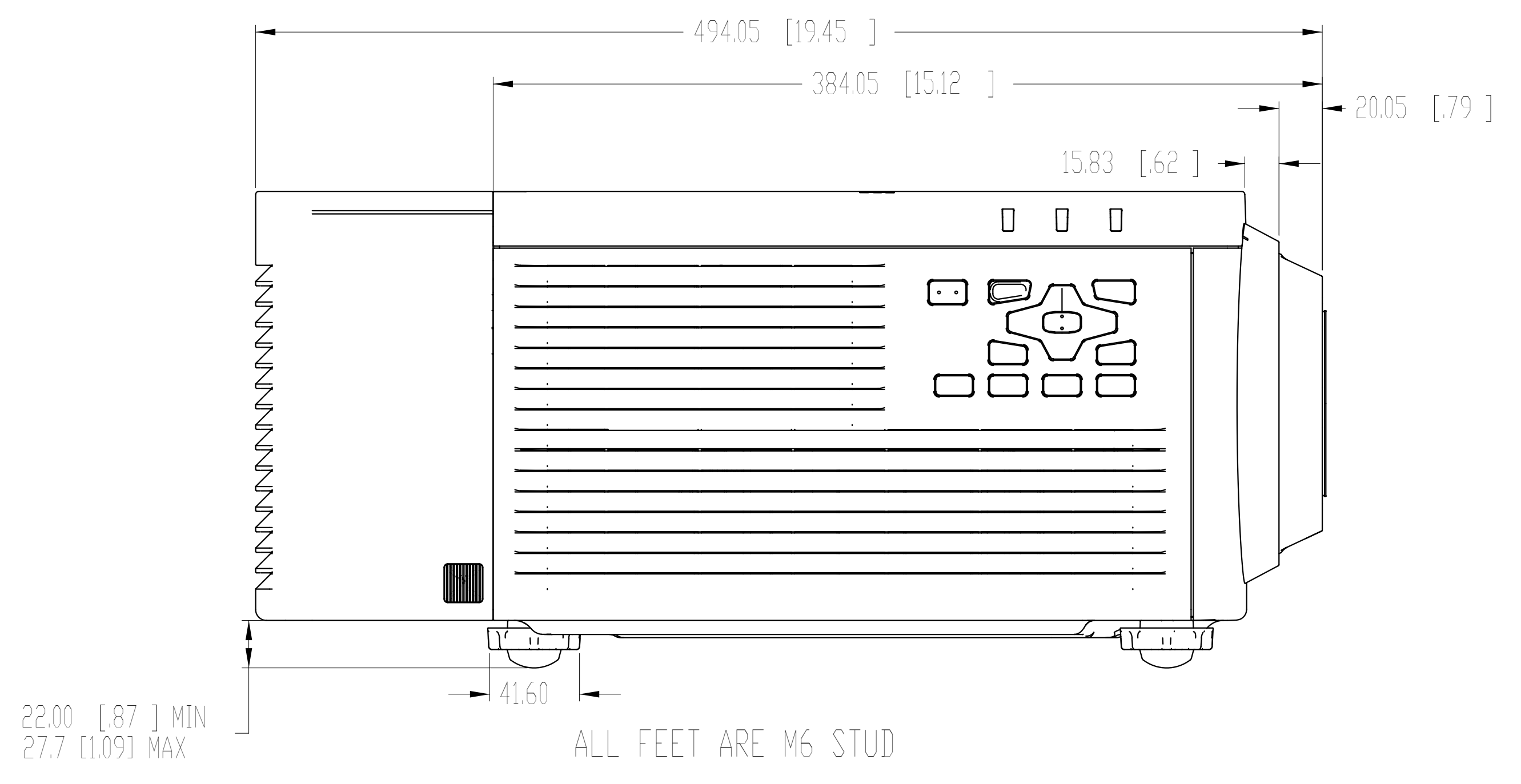
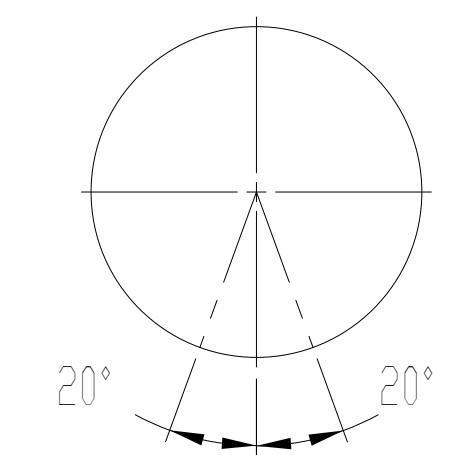
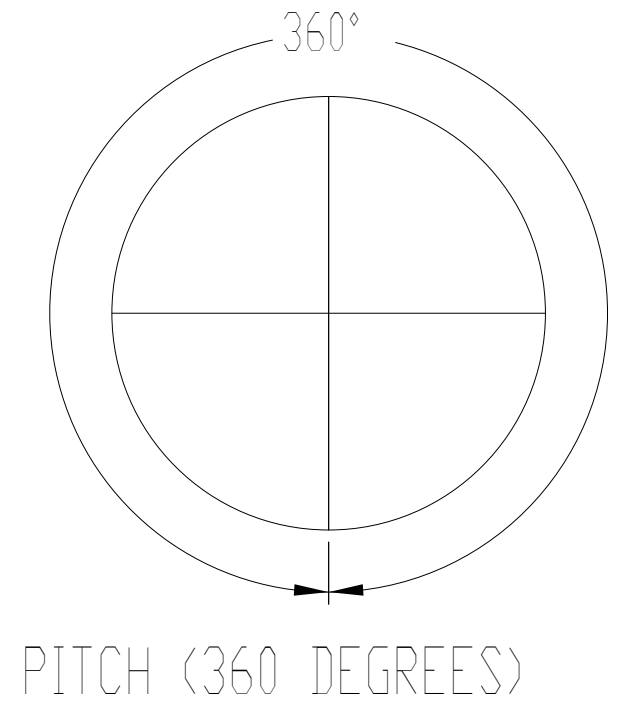
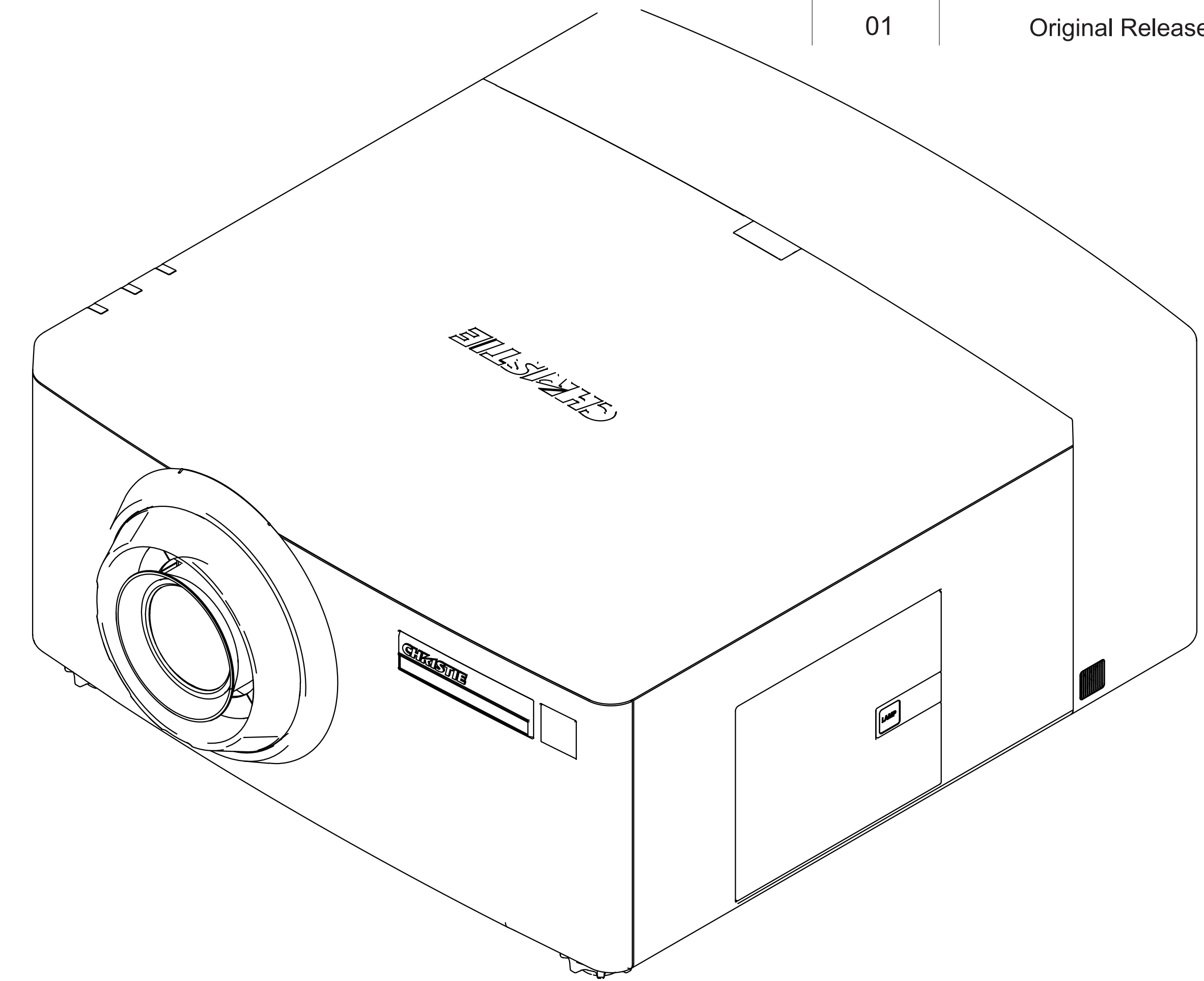
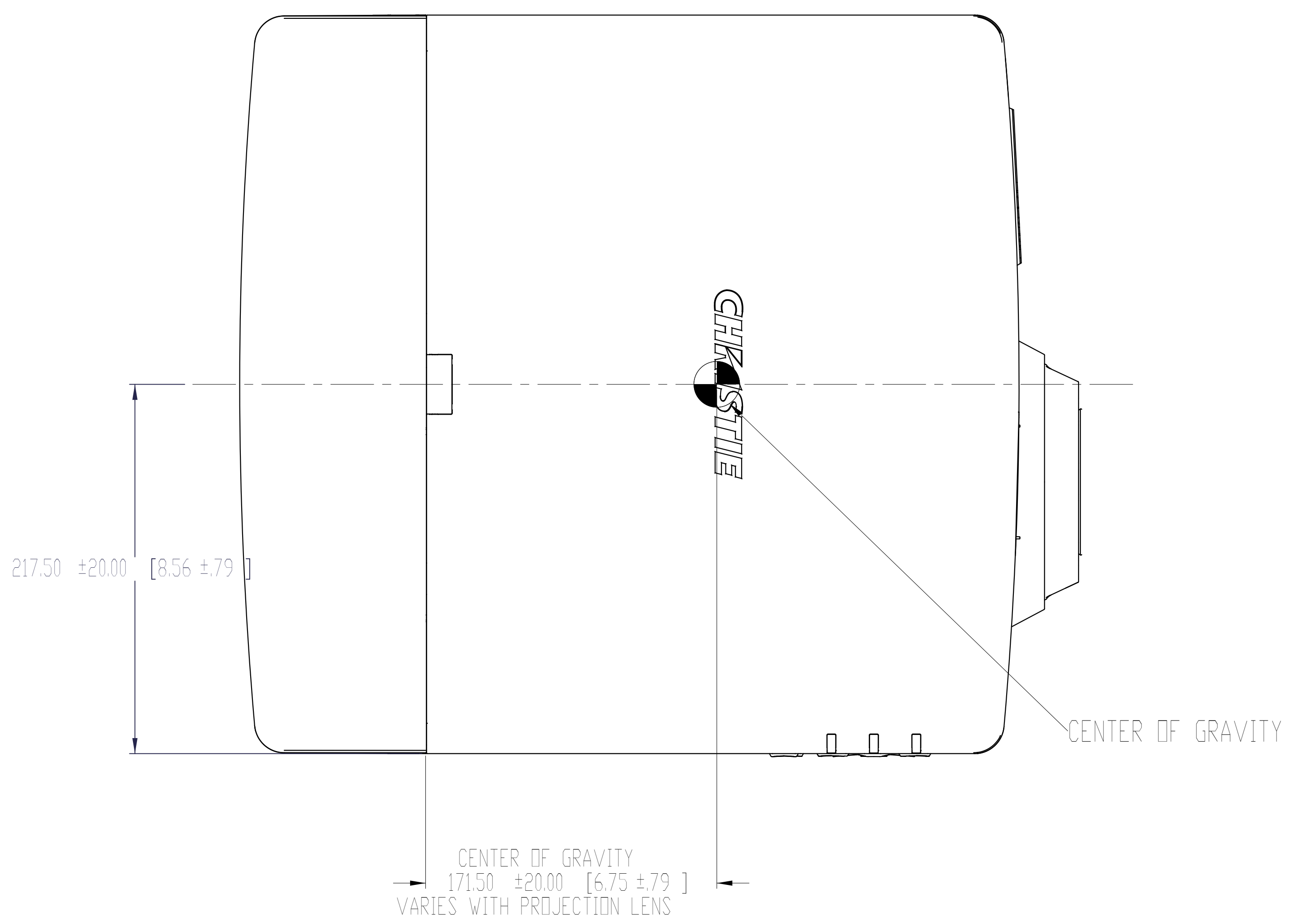
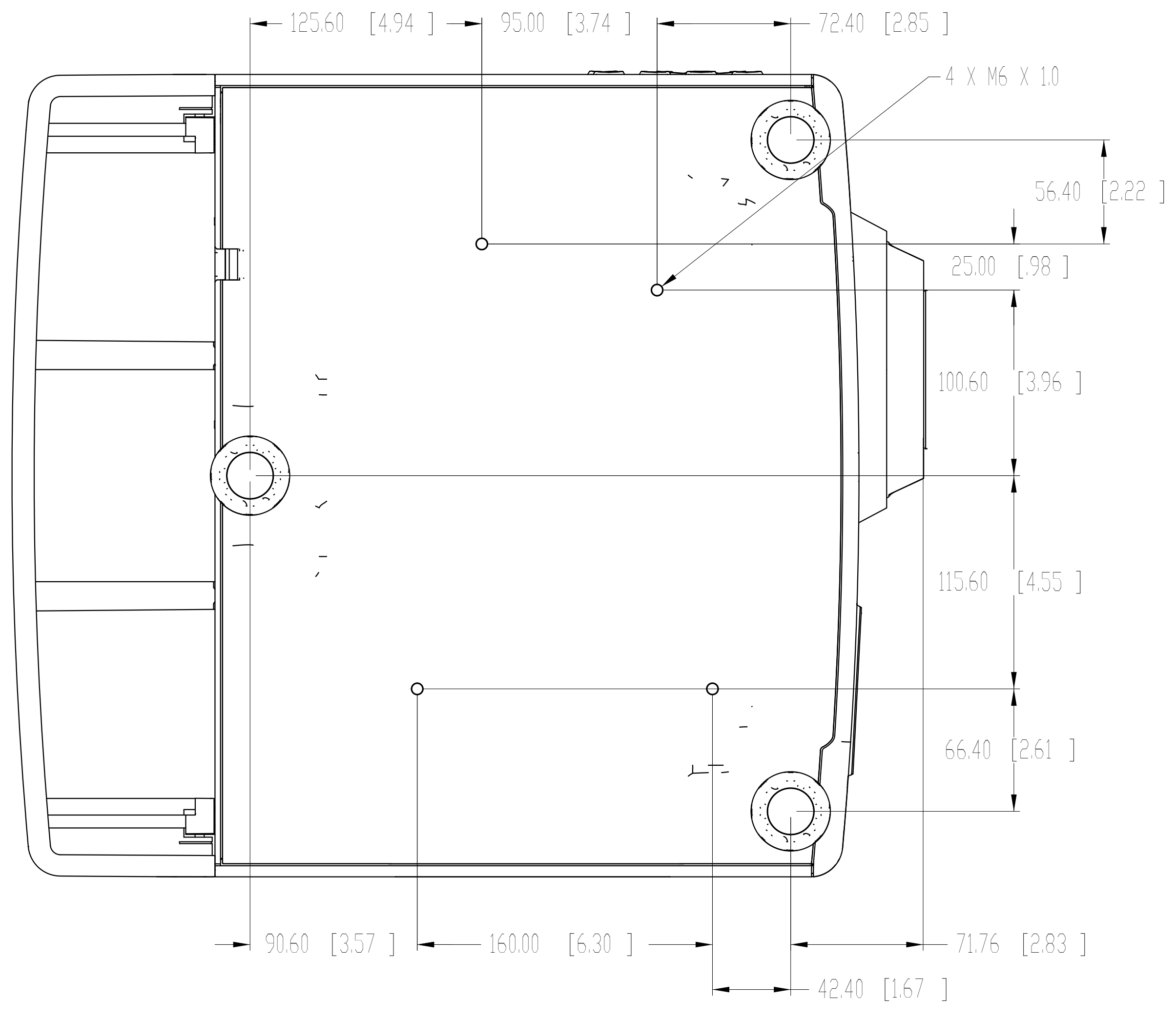


ISSUE HISTORY OF:			
REV	DESCRIPTION OF CHANGE	BY	PREP DATE
01	Original Release	Phong Nguyen	03-23-2016



DIMENSIONS MEASURED TO FRONT FACE OF LENS

LENS	DIMENSION 'A'	DIMENSION 'B'	DIMENSION 'C'
140-101103-01	21.90mm [0.86"]	73.90mm [2.91"]	385.90mm [15.19"]
140-102104-01	38.00mm [1.50"]	90.00mm [3.54"]	402.00mm [15.83"]
140-100102-01	5.20mm [0.20"]	57.20mm [2.25"]	369.20mm [14.54"]
140-119102-01	33 mm [1.3"]	90 mm [3.54"]	397 mm [15.63"]
140-107109-01	38.00mm [1.50"]	90.00mm [3.54"]	402.00mm [15.83"]



GENERAL NOTES:  
 MASS: 15 kg (33 lbs) WITHOUT LENS  
 AMBIENT AIR TEMPERATURE: 40°C (104°F) MAX.  
 POWER REQUIREMENTS: 90-264 V, 50-60 Hz, 6A

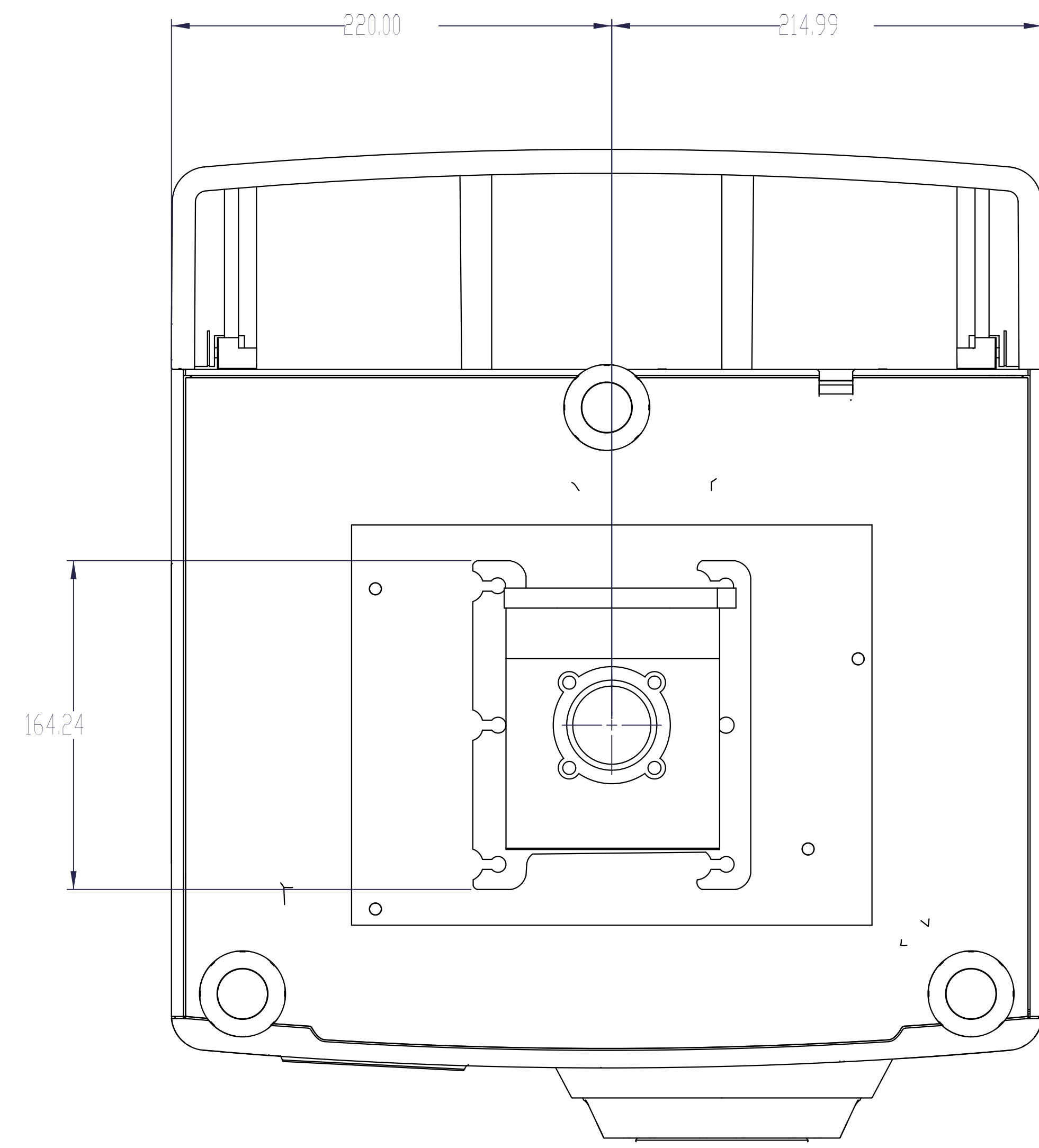
**CHRISTIE** 809 WELLINGTON STREET NORTH  
 KITCHENER, ONTARIO, CANADA  
 N2G 4Y7

PART DESCRIPTION  
**DWG Line G Series**

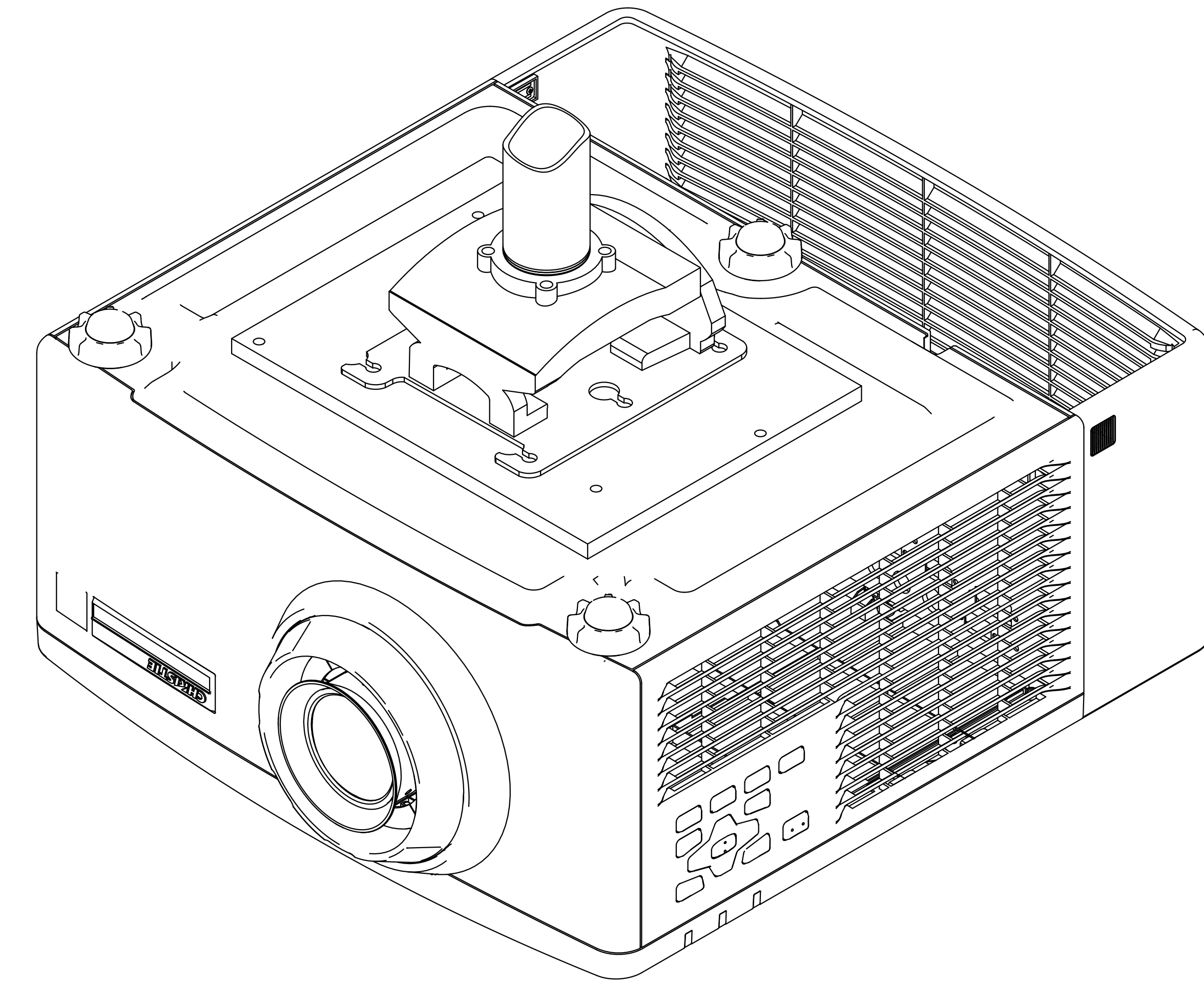
SIZE <b>E</b>	PART NUMBER <b>020-000589-03</b>	REVISION <b>01</b>
SCALE <b>NTS</b>	MASS <b>LBS [KG]</b>	<b>SHEET 1 OF 4</b>

**PROPRIETARY** Confidential  
 Christie Digital Systems Canada Inc., Christie Digital Systems USA, Inc., and Affiliates

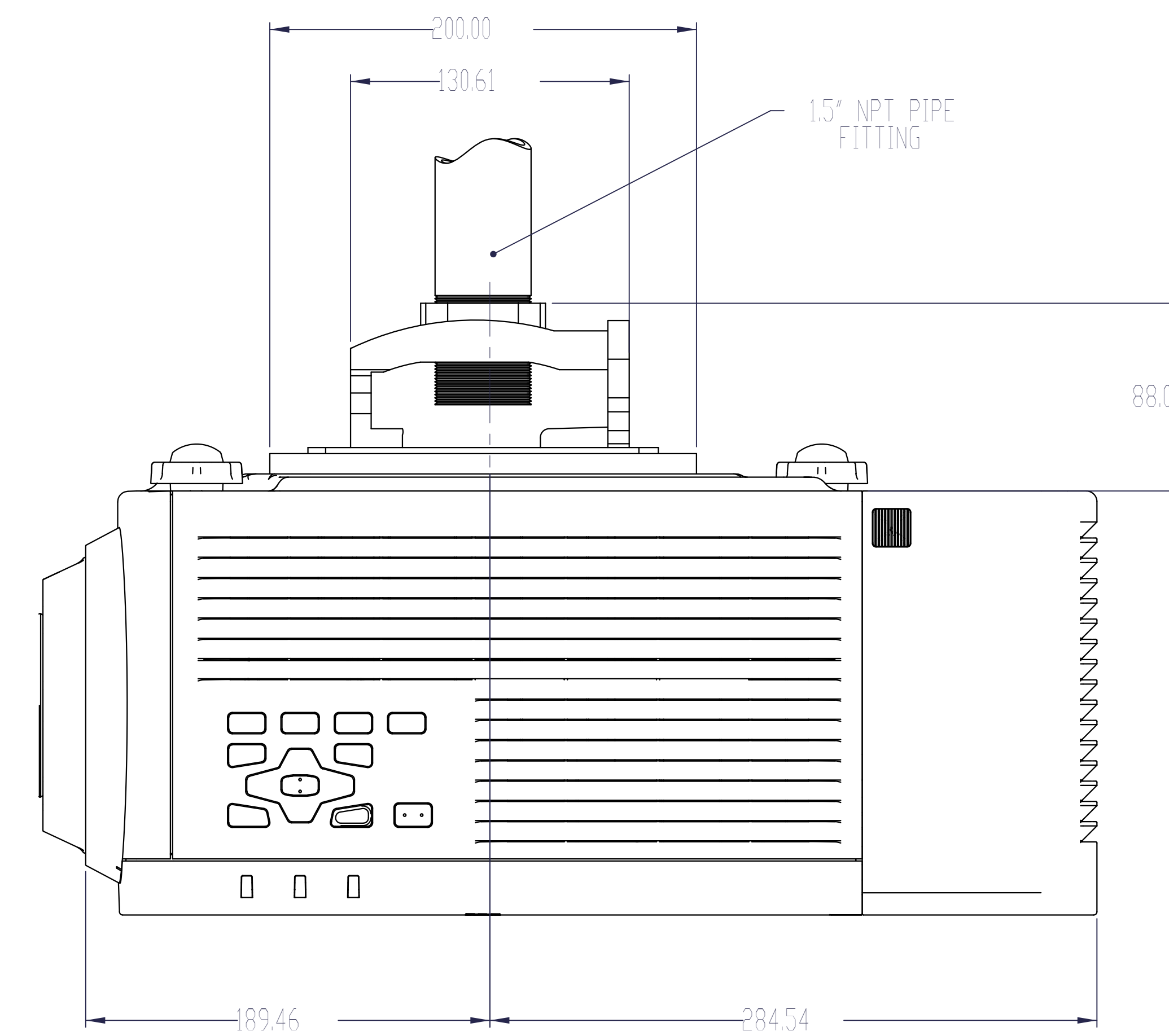
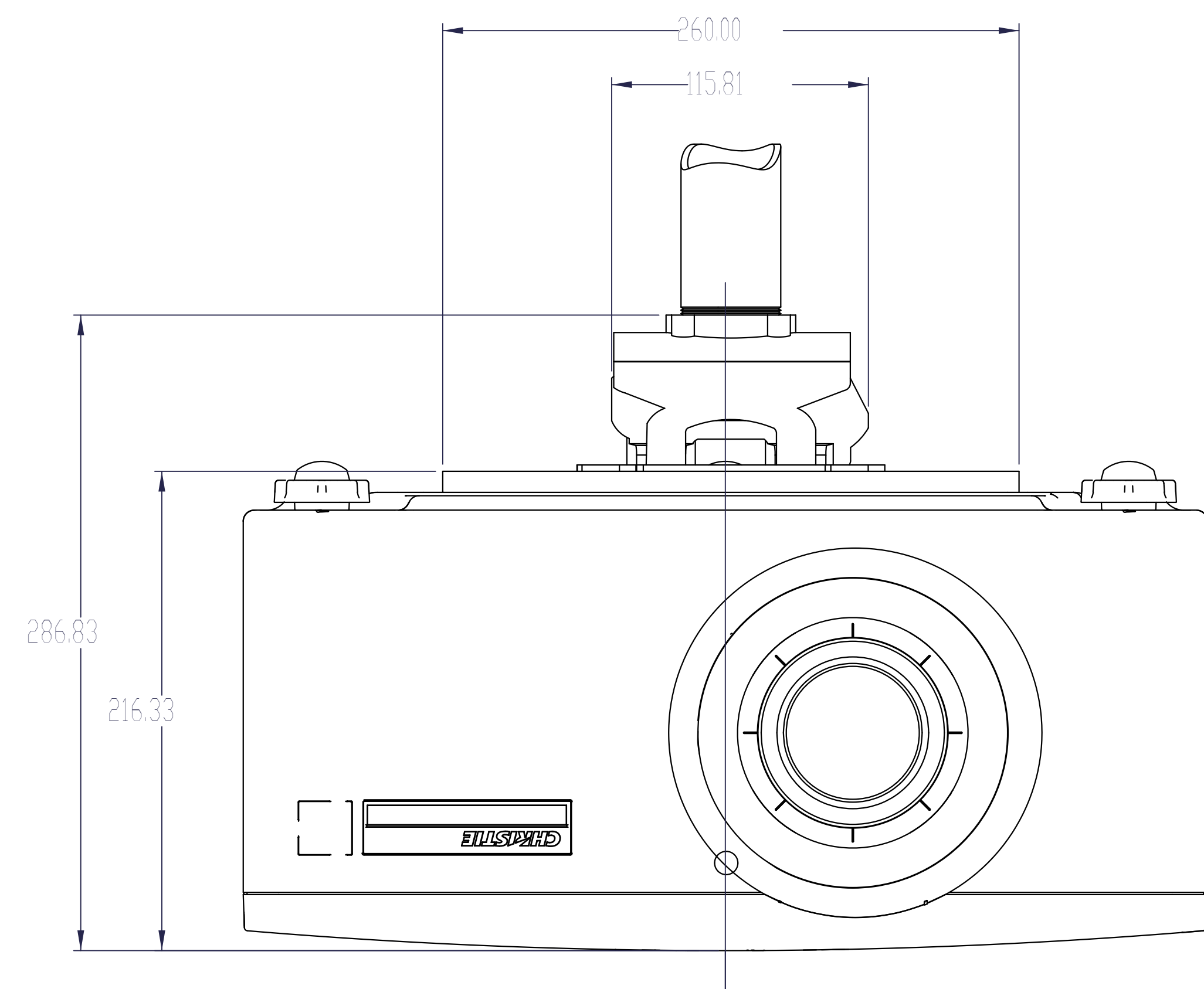
ISSUE HISTORY OF:			
REV	DESCRIPTION OF CHANGE	BY	PREP DATE
01	Original Release	Phong Nguyen	03-23-2015



CEILING MOUNT SPECIFICATION	
ROLL	3°
PITCH	20°
YAW	360°
COLOUR	BLACK
WEIGHT CAPACITY	50 LBS (22.7 KG)



ISOMETRIC VIEW

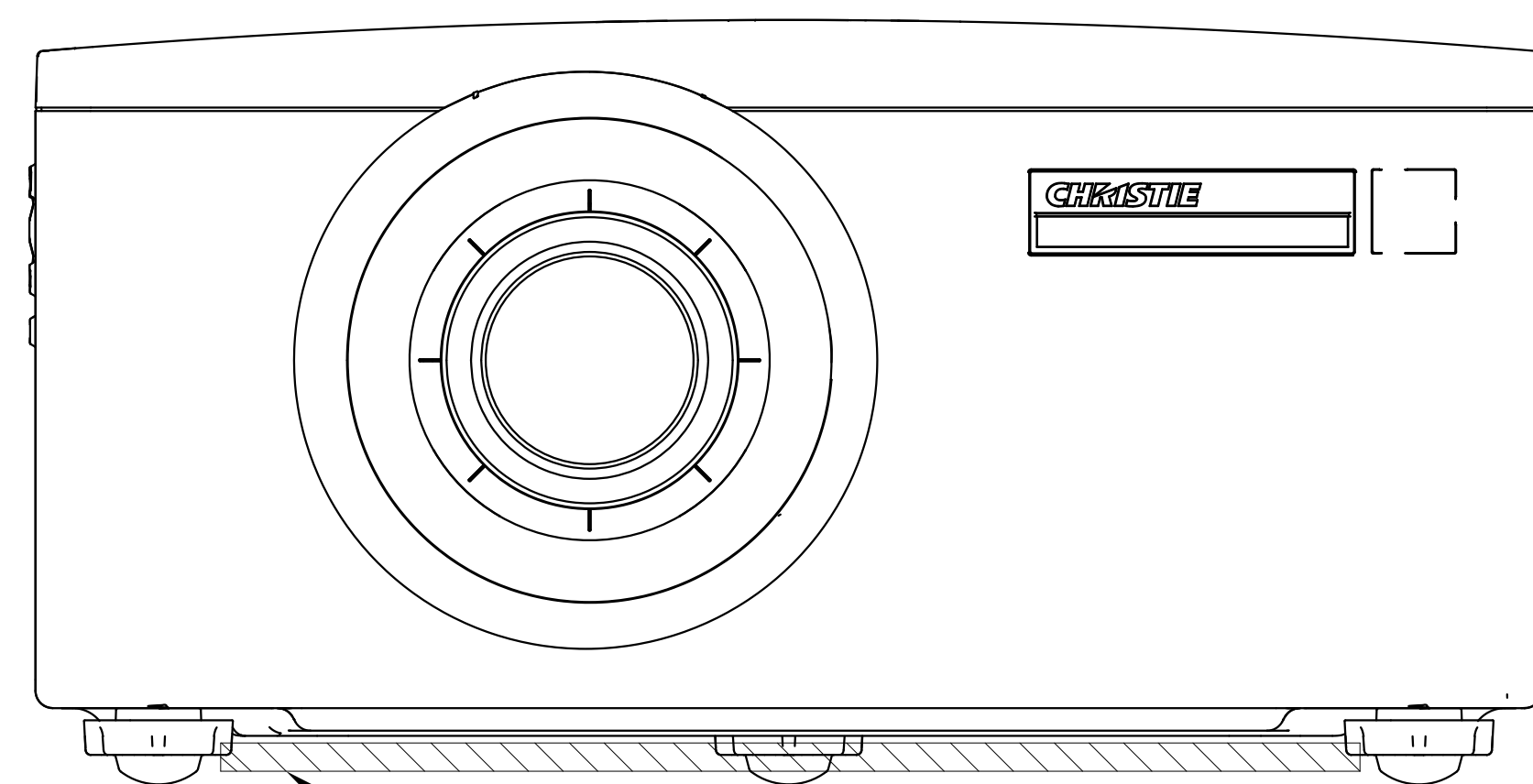
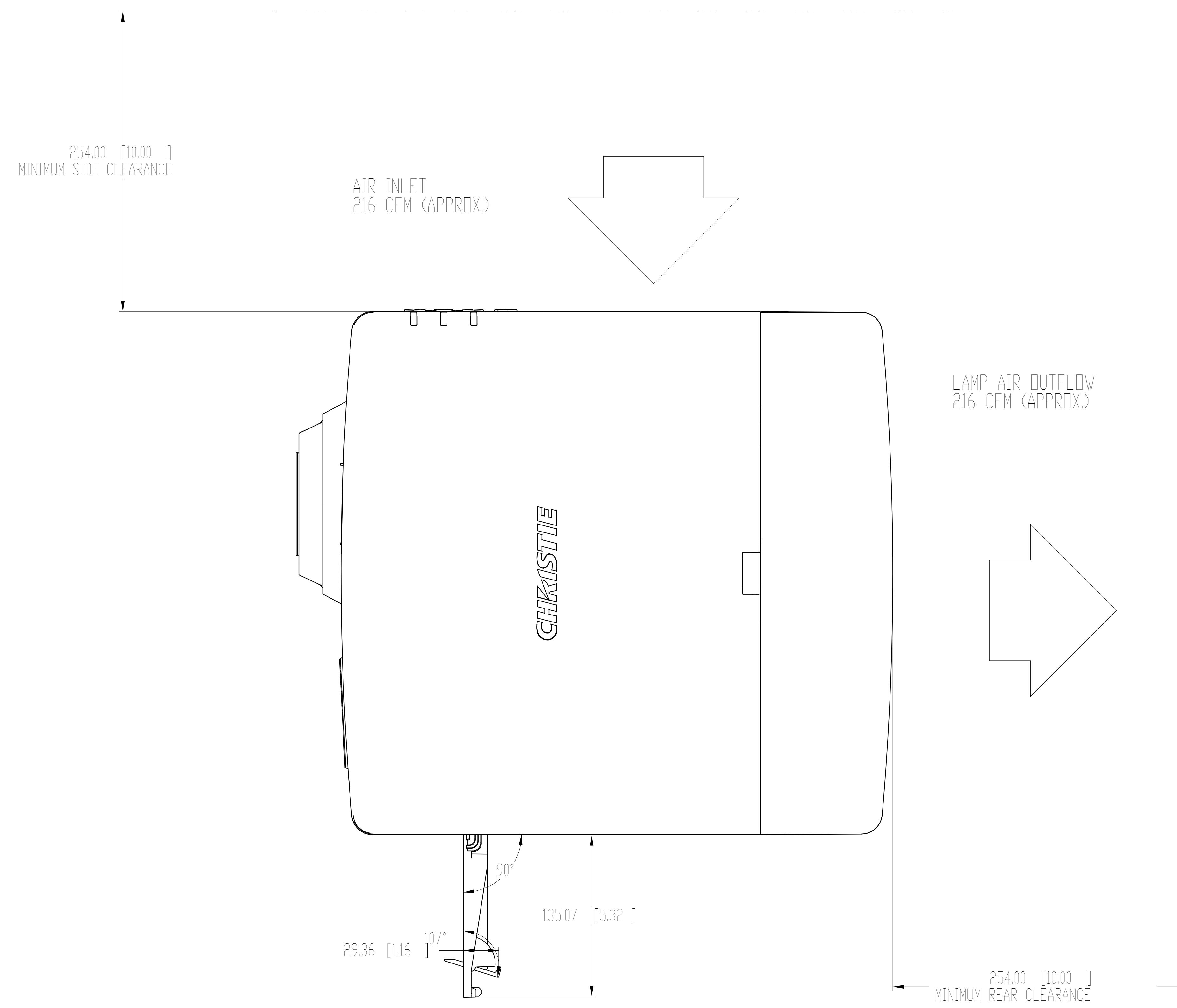


**CHRISTIE**

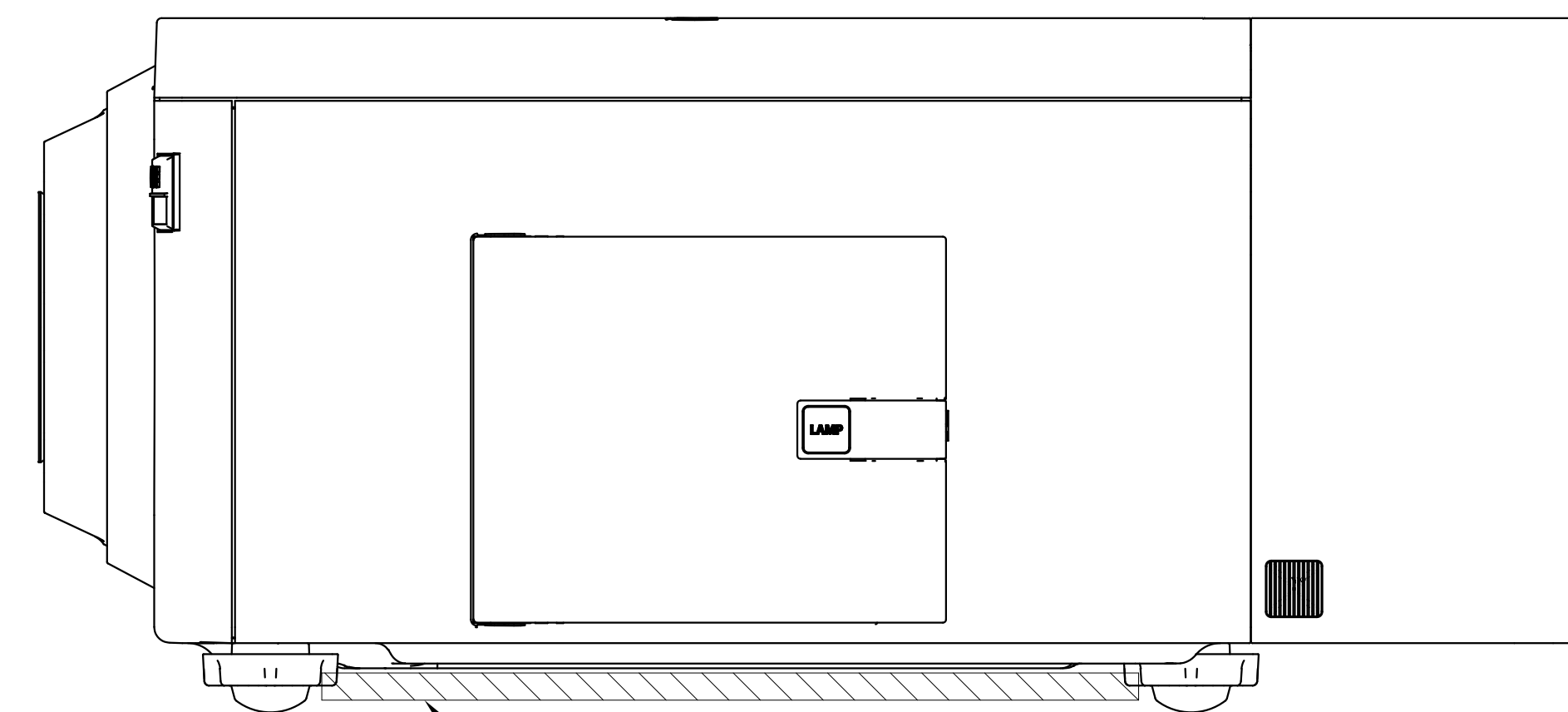
809 WELLINGTON STREET NORTH  
KITCHENER, ONTARIO, CANADA  
N2G 4Y7

PART DESCRIPTION		DWG Line G Series	
SIZE	PART NUMBER	REVISION	
<b>E</b>	020-000589-03	01	
SCALE	MASS	SHEET 2 OF 4	
NTS	LBS [KG]		
<b>PROPRIETARY</b>		Confidential Christie Digital Systems Canada Inc., Christie Digital Systems USA, Inc., and Affiliates	

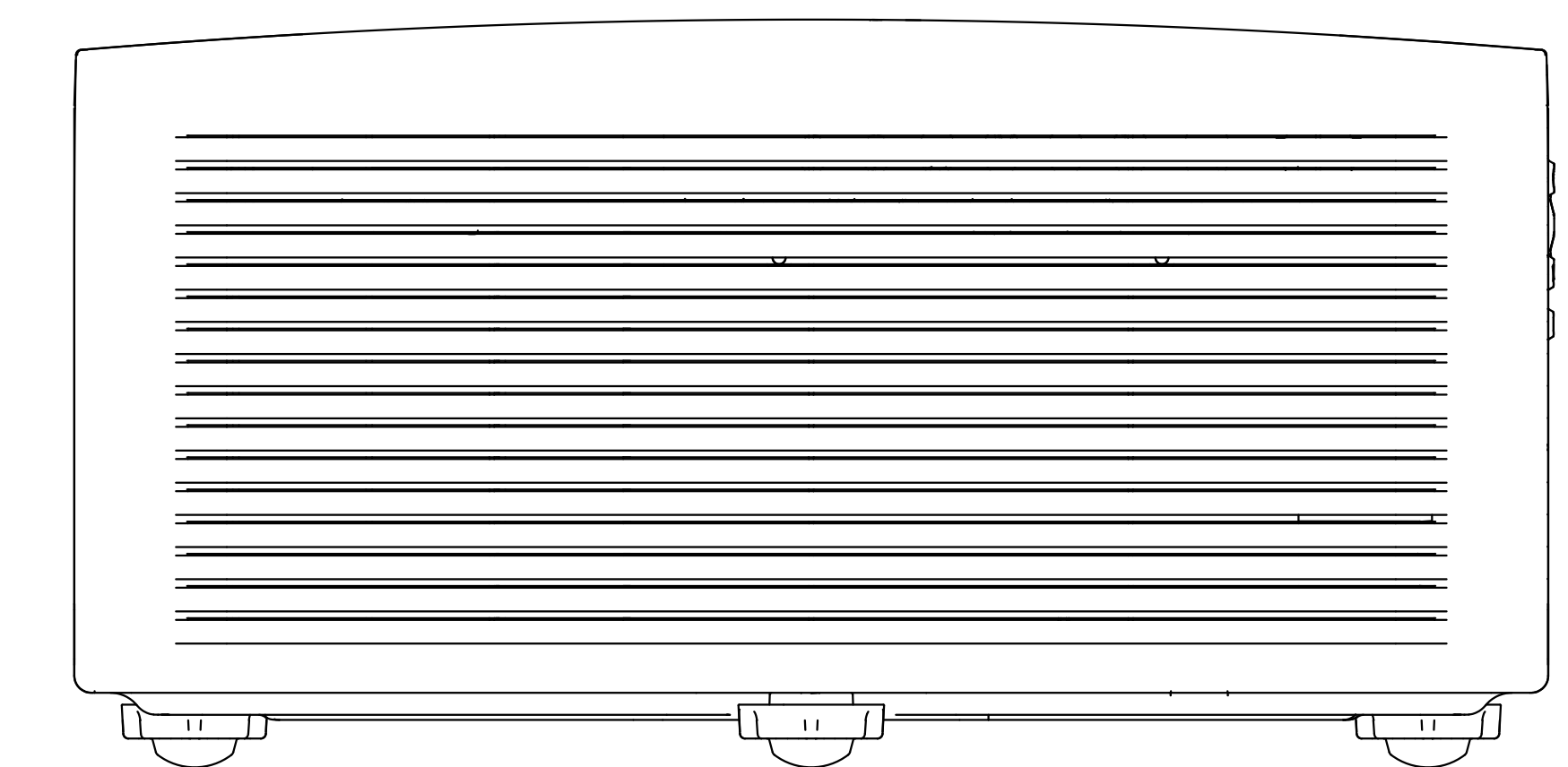
ISSUE HISTORY OF:			
REV	DESCRIPTION OF CHANGE	BY	PREP DATE
01	Original Release	Phong Nguyen	03-23-2016



10.0mm GAP REQUIRED FOR AIRFLOW



10.0mm GAP REQUIRED FOR AIRFLOW



**CHRISTIE**

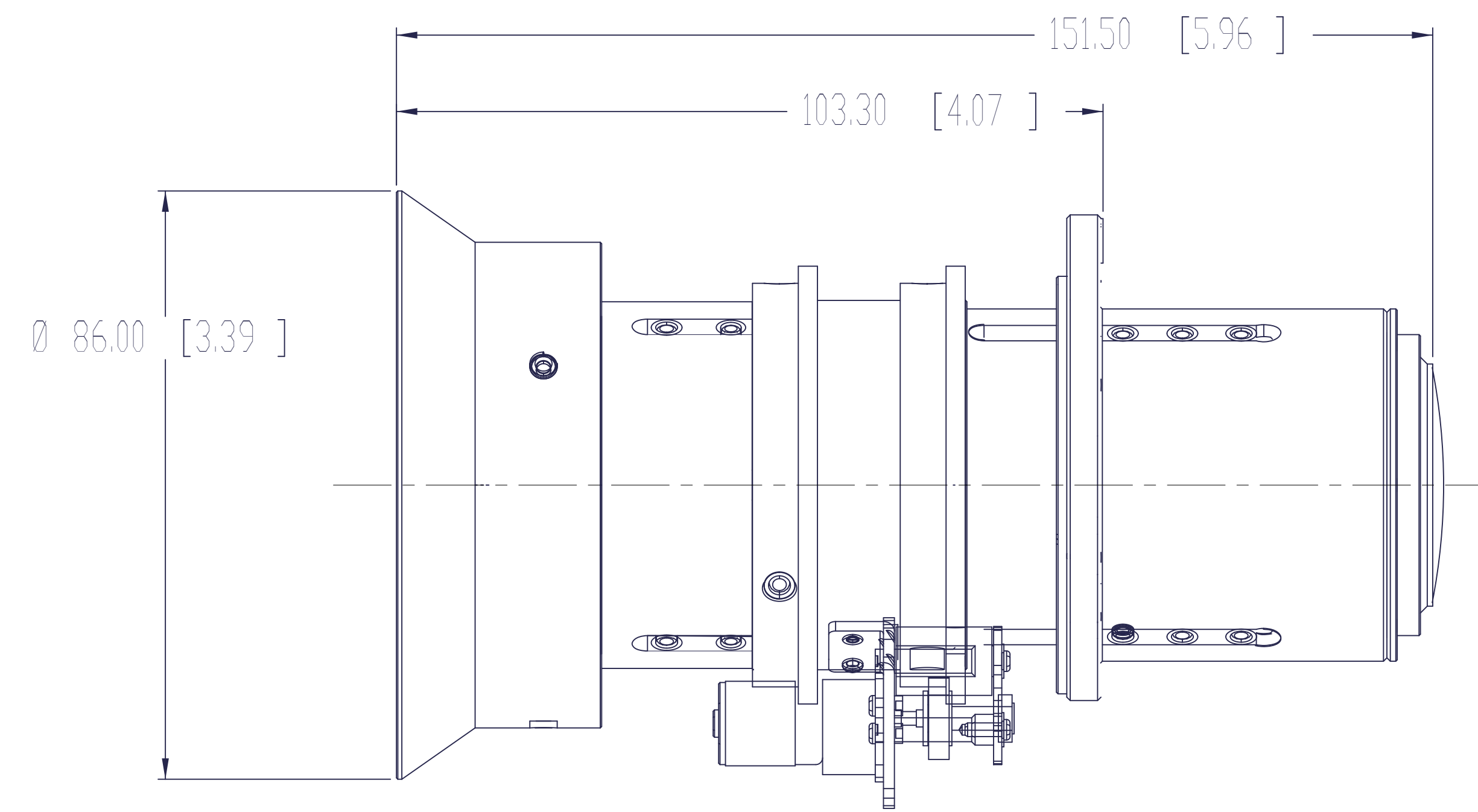
809 WELLINGTON STREET NORTH  
KITCHENER, ONTARIO, CANADA  
N2G 4Y7

PART DESCRIPTION			
DWG Line G Series			
SIZE	PART NUMBER	REVISION	
<b>E</b>	020-000589-03	01	
SCALE	MASS	SHEET 3 OF 4	
NTS	LBS [KG]		
<b>PROPRIETARY</b>			
<small>Confidential Christie Digital Systems Canada Inc., Christie Digital Systems USA, Inc., and Affiliates</small>			

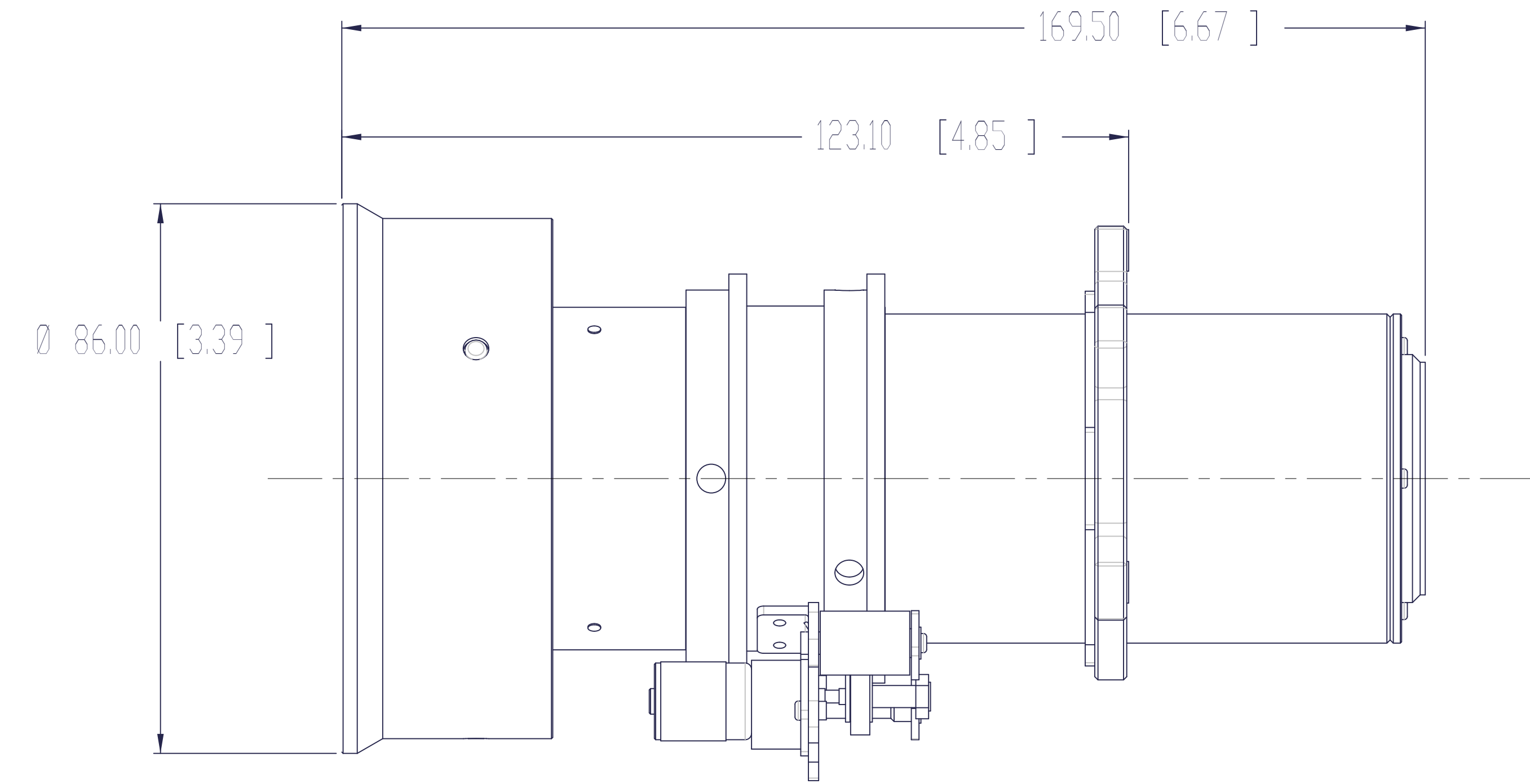
ISSUE HISTORY OF:			
REV	DESCRIPTION OF CHANGE	BY	PREP DATE
01	Original Release	Phong Nguyen	03-23-2016

# PROJECTION LENSES

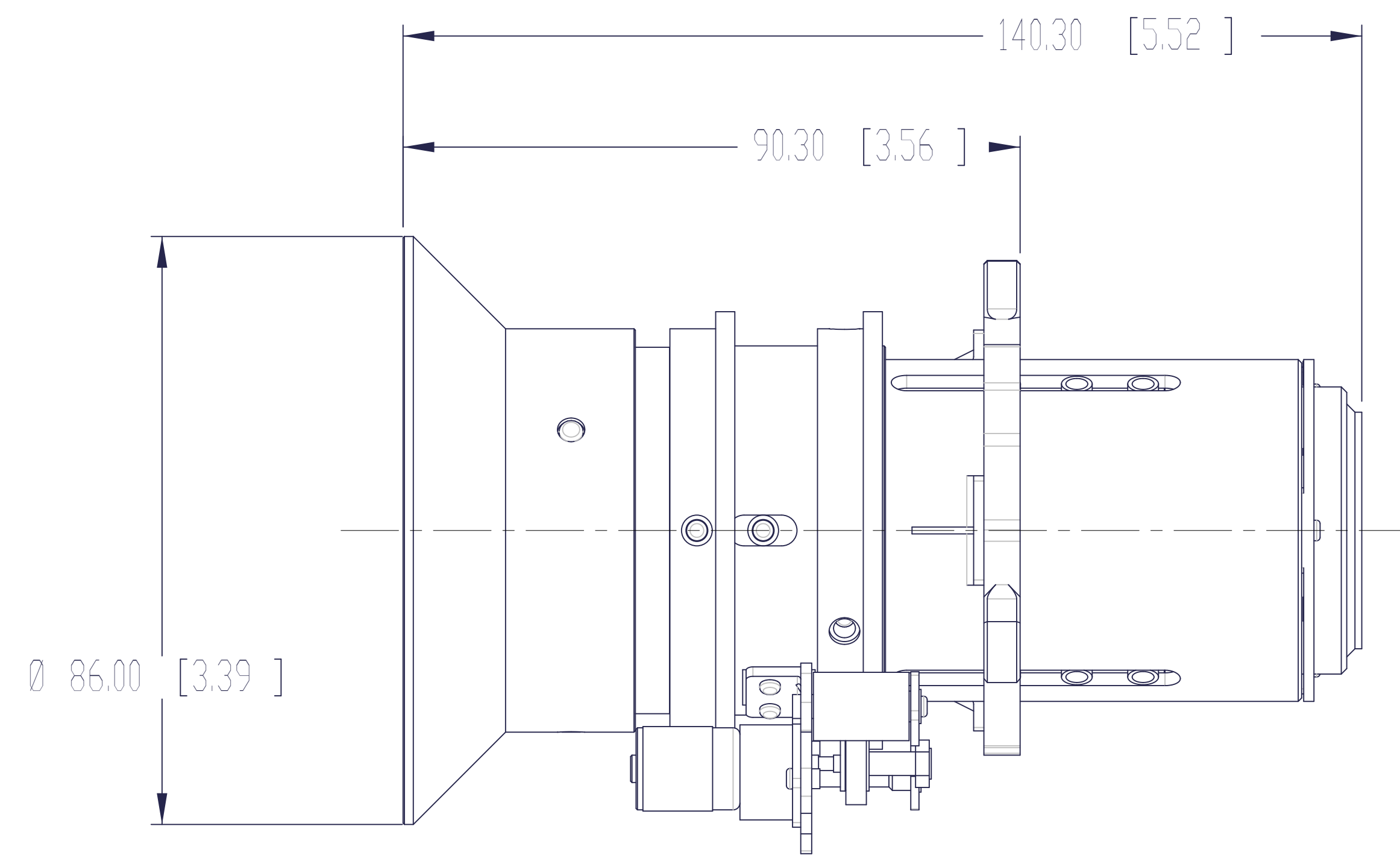
140-101103-XX  
0.95-1.22 WIDE ZOOM



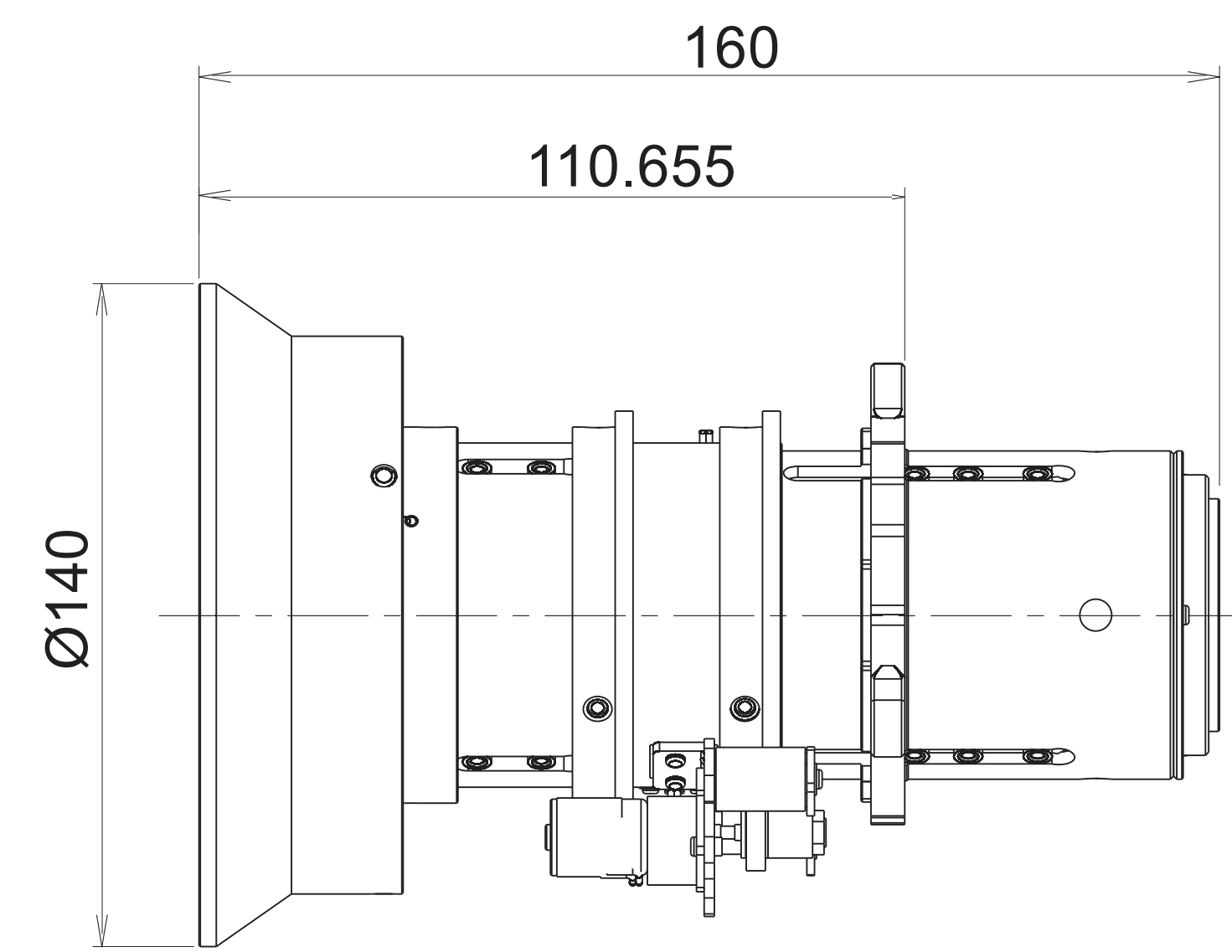
140-102104-XX  
1.52-2.92 LONG ZOOM



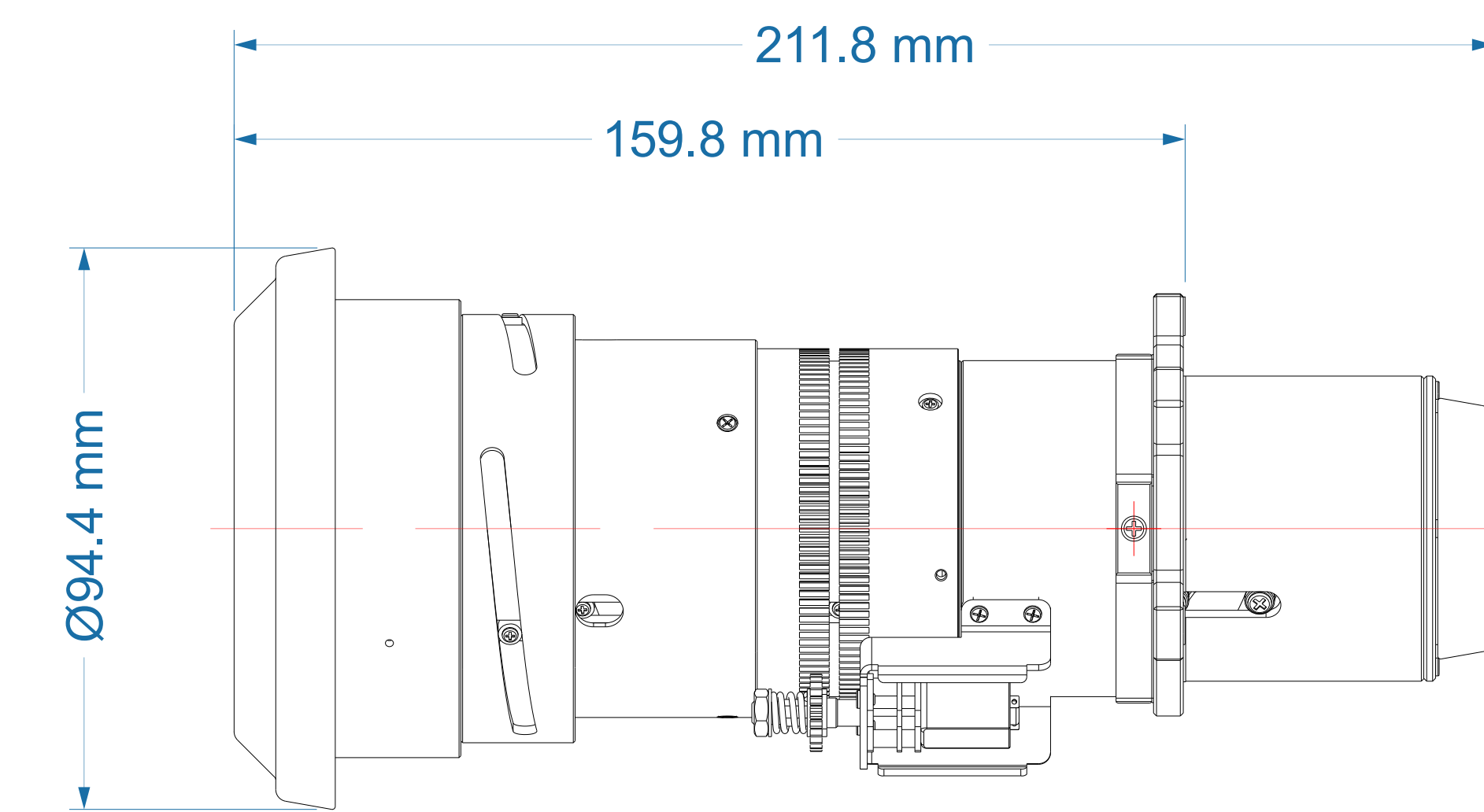
140-100102-XX  
1.22-1.53 ZOOM



140-119102-XX  
0.75-0.95 ZOOM



140-107109-XX  
2.90-5.50 ULTRA-LONG ZOOM



PART NUMBER	DESCRIPTION	SHIPPING WEIGHT	LENS WEIGHT
140-101103-01	0.95-1.22 WIDE ZOOM	0.9 kg (2.0 lbs)	0.6 kg (1.3 lbs)
140-102104-01	1.52-2.92 LONG ZOOM	1.1 kg (2.4 lbs)	0.8 kg (1.8 lbs)
140-100102-01	1.22-1.53 ZOOM	0.7 kg (1.5 lbs)	0.4 kg (0.9 lbs)
140-119102-01	0.75-0.95 SHORT ZOOM	1.2 kg (2.6 lbs)	0.9 kg (2.0 lbs)
140-107109-01	2.90-5.50:1 ULTRA-LONG ZOOM	1.3 kg (2.8 lbs)	0.97 kg (2.1 lbs)

**CHRISTIE** 809 WELLINGTON STREET NORTH  
KITCHENER, ONTARIO, CANADA  
N2G 4Y7

PART DESCRIPTION  
**DWG Line G Series**

SIZE <b>E</b>	PART NUMBER 020-000589-03	REVISION 01
SCALE NTS	MASS LBS [KG]	SHEET 4 OF 4

**PROPRIETARY** Confidential  
Christie Digital Systems Canada Inc., Christie Digital Systems USA, Inc., and Affiliates