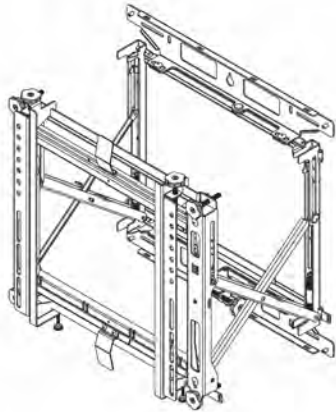


# Installing flat panels on the MPL15 wall mount

The MPL15 (DS-VW775) is a full-service video wall mount that can accommodate tiled LCD panels with up to a 400 x 400 mm VESA pattern in portrait and landscape orientation.

The modular mount system features a pull-out mechanism that provides rear screen access, and the ability to adjust the X, Y, and Z axis alignment, and is designed for home and public use. The maximum load for the mount is 57 kg (125 lb).



## Features

Use the wall mounts to hang and adjust the flat panels, and to access the rear of the panels.

- Modular mount for large video wall display configurations.
- Spring-loaded mechanisms secure displays.
- Pop-out mechanism provides quick service access.

## Safety warnings and cautions

To prevent personal injury and to protect the device from damage, read and follow these safety precautions.



**Warning!** If not avoided, the following could result in death or serious injury.

- The supporting structure must safely support the combined load of the product, all attached hardware, and components following all local safety standards and regulations.
- A minimum of two people or appropriately rated lift equipment is required to safely lift, install, or move the product.
- Always handle the display panel from the sides or handles.
- Christie products must be installed and serviced by Christie qualified technicians.
- Before drilling holes locate electrical, gas, and water lines.
- Only install the product on recommended surfaces.



**Caution!** If not avoided, the following could result in minor or moderate injury.

- PINCH HAZARD! Keep fingers away when operating the mount.
- Do not over-tighten hardware.
- This product is intended for indoor use only.
- Do not exceed the maximum load capacity of the product.
- Always provide proper ventilation for the product to prevent overheating.
- Before installation, inspect all components for cracks, deformations, corrosion, and missing or damaged parts that could reduce their installation strength.

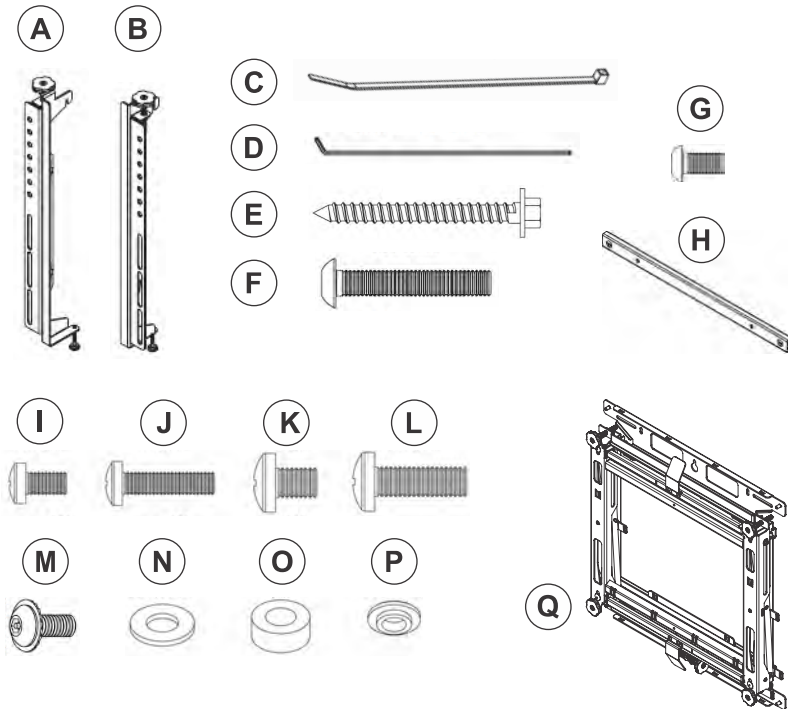
## Types of installations

Learn the supported surfaces for installing the wall mounts.

Wall construction	Hardware required
Plywood	Included

## Required parts

Learn the parts necessary for installing the wall mounts.



A	Left adapter bracket (Qty. 1)	J	M6 x 25 mm Phillips screw (Qty. 4)
B	Right adapter bracket (Qty. 1)	K	M8 x 12 mm Phillips screw (Qty. 4)
C	Cable tie (Qty. 6)	L	M8 x 25 mm Phillips screw (Qty. 4)
D	4mm Allen wrench (Qty. 1)	M	M4 x 10 mm socket pin screw (Qty. 2)
E	#14 x 2.5" wood screw (Qty. 5)	N	M6/M8 (5/16 SAE) washer (Qty. 8)
F	M5 x 30 mm socket pin screw (Qty.2)	O	Spacer (Qty. 8)
G	M8 x 15mm hex screw (Qty. 4)	P	Nylon shoulder washer (Qty. 4)
H	VESA extenders (Qty.2)	Q	Wall plate (Qty. 1)
I	M6 x 12 mm Phillips screw (Qty. 4)		

## Required tools

Ensure the appropriate tools are available during the installation.

- Phillips® #2 screwdriver
- 4mm pin hex wrench
- Pencil
- Drill
- 3/8" socket
- Socket wrench

- 5/32" (4 mm) bit for wood stud walls
- Level
- Tape measure
- Hammer

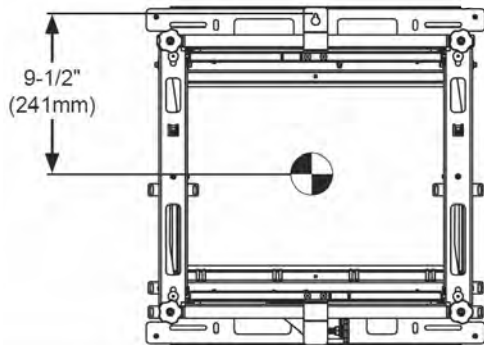
## Installing the wall mount

Learn how to install the wall mounts onto different surfaces.

When installing the wall mounts, ensure there is proper spacing between the mounts to accommodate the panels. Always start with the bottom left display panel in the array.

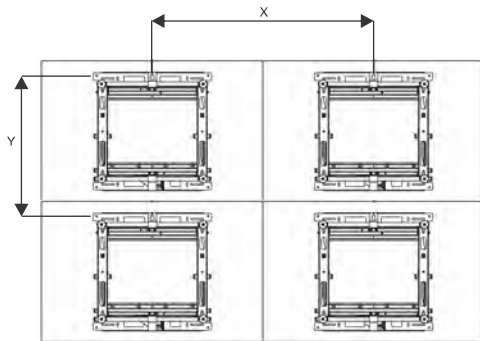
In areas where the mounting screws will not encounter a wood stud, the screws must go into plywood.

1. Measure the width and height of the display panel.
2. Locate the center of the bottom left display panel in the array.



3. To identify where the mount for the display panel to the right of the first display panel should be installed, measure the width of the display panel from the center notch of the wall mount of the first display panel to the center notch of the second display panel (X).

A laser level is recommended for this step.



4. Using the laser level, repeat step 3 and identify the center notch locations for all mounts in the array.

To identify where the mount for the subsequent rows of display panels should be installed, measure the height of the display panel from the top of the bottom left display panel to the top of the first display panel in the second row (Y).

5. Install the screw for the center notches as appropriate for the mounting surface.
6. Install all wall mounts in the bottom row.

Install all rows starting with the far left display panel.

- After the mounts are installed, remove the white pin and tag from the top of each mount.

## Installing the mount to wall studs or plywood

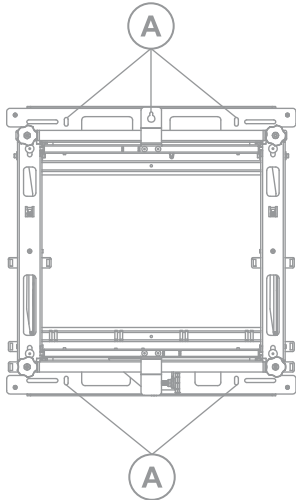
Learn how to install the wall mounts onto plywood.

The hardware provided is for attaching the mount through standard thickness drywall into plywood.

When installing the wall mounts on a wood stud wall covered with plywood, verify that the wood studs are a minimum of 2" x 4" nominal size and the plywood is a minimum Grade BC 1/2" (13 mm) thickness. Plywood may be covered by drywall up to 5/8" thick.

In areas where the mounting screws do not encounter a wood stud, the screws must be mounted onto plywood.

- When installing on wall studs, use an "edge-to-edge" stud finder to locate the edges of the stud and draw a vertical line down the stud center.  
Depending on the size of the display panels and the location of the mounts for the array, the mount may not be centered on a wall stud.
- Place the wall mount assembly on the wall to use as a template, and mark the center notch.
- Drill a 5/32" (4 mm) diameter hole 2.5" (64 mm) deep and install a #14 x 2.5" wood screw, leaving a 6mm (1/4") gap from the plywood.
- Hang the wall mount on the center screw.
- Level the wall mount and mark the center of the other four mounting holes (A).



- Drill four 5/32" (4 mm) diameter holes 2.5" (64 mm) deep.
- Tighten the four #14 x 2.5" wood screws so that the wall plate is firmly attached, but do not over-tighten.

Never tighten in excess of 80 in-lbs (9Nm).

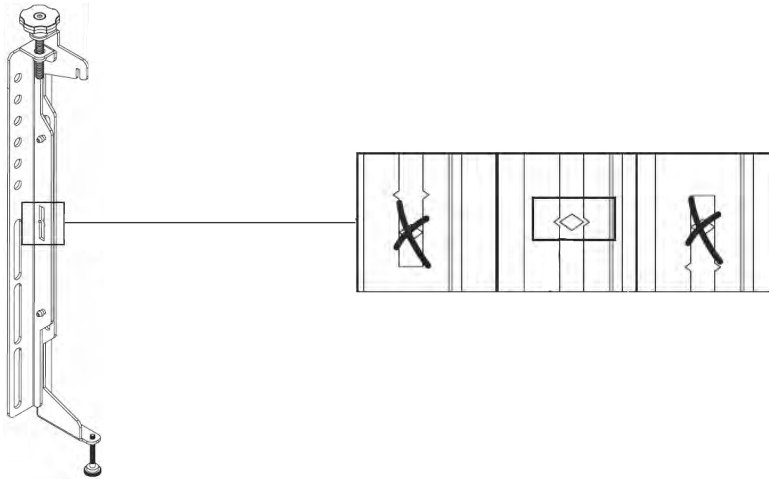
## Attaching the adapter brackets to the display panel

The display panel must have the adapter brackets installed before it can be attached to the wall bracket.



If the VESA extenders are required, install them onto the brackets before attaching the brackets to the panel.

1. Turn the adjustment knob on each bracket and align the diamond inside the notches in the bracket.



The exterior side of the bracket has the diamond and notches. When looking at the back of the display panel, the bracket in the above image should be installed on the left side of the display panel.

2. On the back of the panel, center the adapter brackets vertically.
3. Attach the adapter brackets to the back of the display panel using four socket pin screws and washers. Screw size will vary depending on the display panel.

Spacers may be necessary for some display panels.

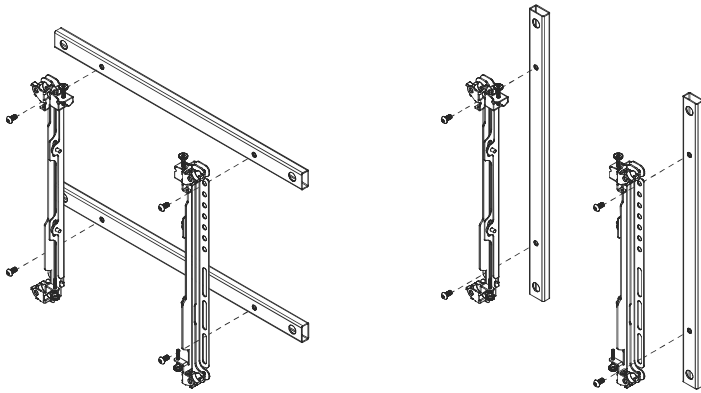
When installing display panels in portrait mode, rotate the brackets 90° on the back of the display panel.

### (Optional) Installing the VESA extenders

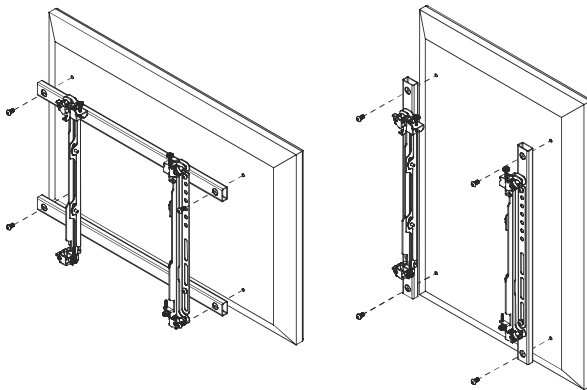
The VESA extenders change the 400 x 400 VESA pattern to 600 x 400.

The extenders increase the depth of the panel and bracket by 20 mm.

1. Using the hex key provided, install the screw (part G) connecting the top hole of the extender to the adapter bracket.



2. To allow for adjustment of the bracket to match the VESA points on the panel, install the bottom screw (part G) loosely.
3. After the adapter brackets have been attached to the LCD display panel, tighten the bottom screw of the VESA extender.
4. Repeat steps 1 to 3 for the second adapter bracket.
5. Attach the extenders and brackets to the panel.



## Attaching the display panel to the wall mount

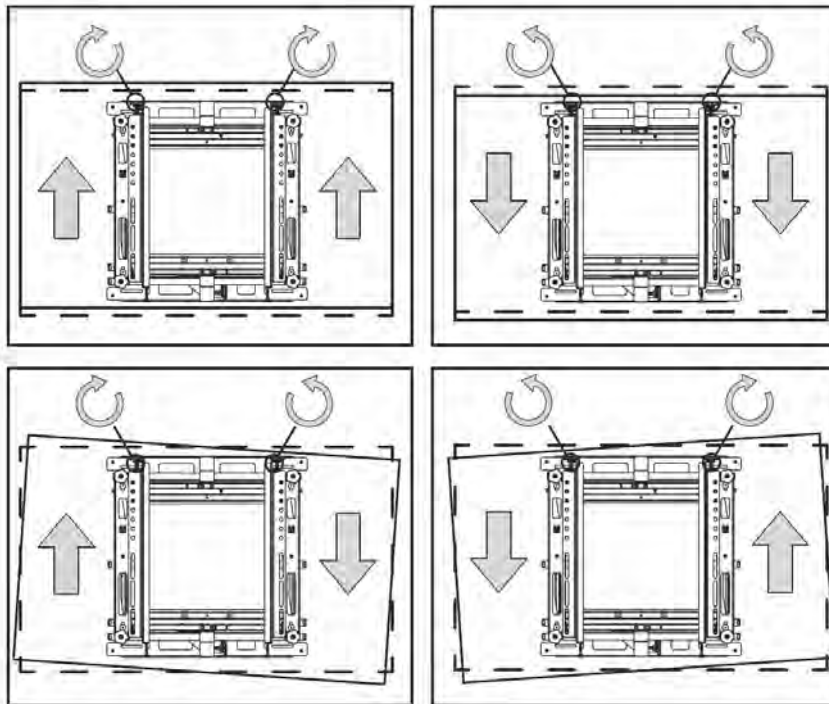
Install the display panel with the brackets onto the wall mount.

1. Hang the adapter brackets onto the wall mount and slide the display panel into position.
2. Using the security screw, loosely fasten the display panel in place.
3. Adjust the panels as necessary.
4. When the panels are aligned, tighten the security screws.

## Moving the display panel up and down

Use the height adjustment screw to move the display panel up and down.

1. To raise a side, turn the height adjustment screw clockwise.
2. To lower a side, turn the height adjustment screw counter-clockwise.

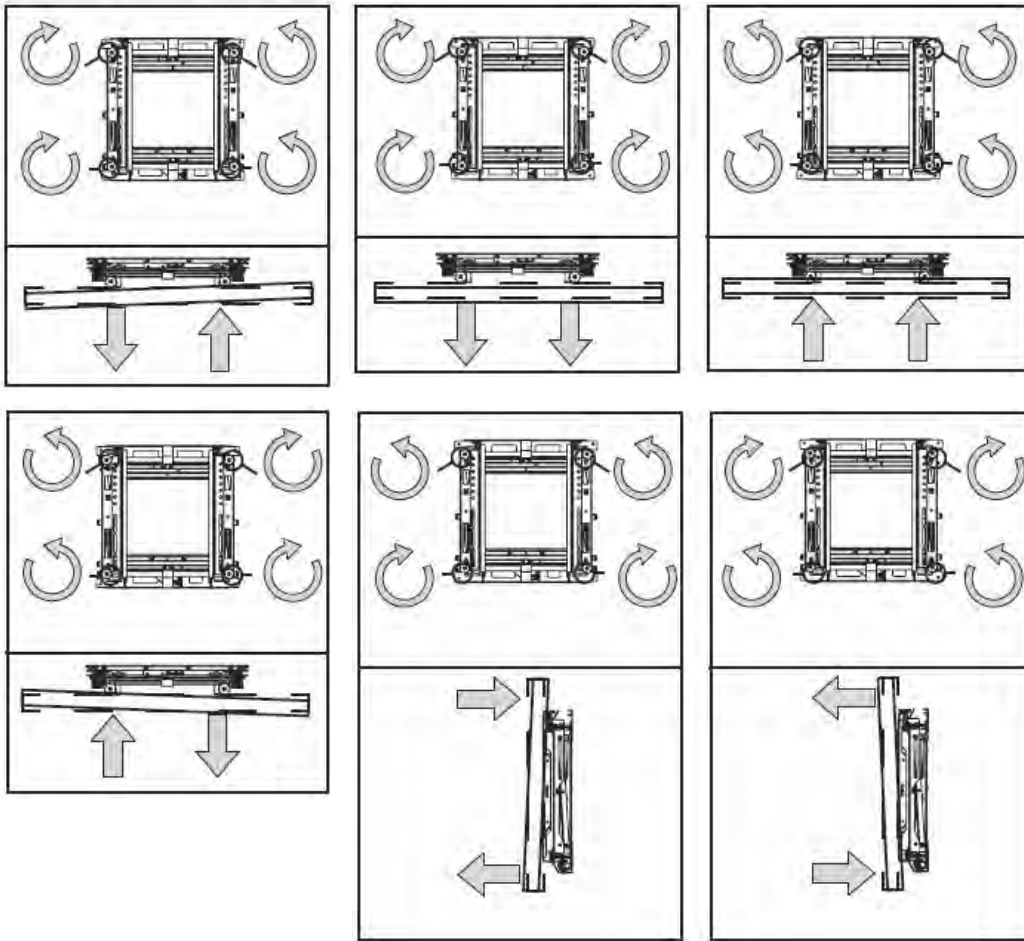


## Adjusting the distance between the display panel and the wall mount

Use the adjustment wheel to move the display panel further from or closer to the wall.

1. To move the corner out from the wall mount, turn the adjustment wheel clockwise.
2. To move the corner towards the wall mount, turn the adjustment wheel counter-clockwise.



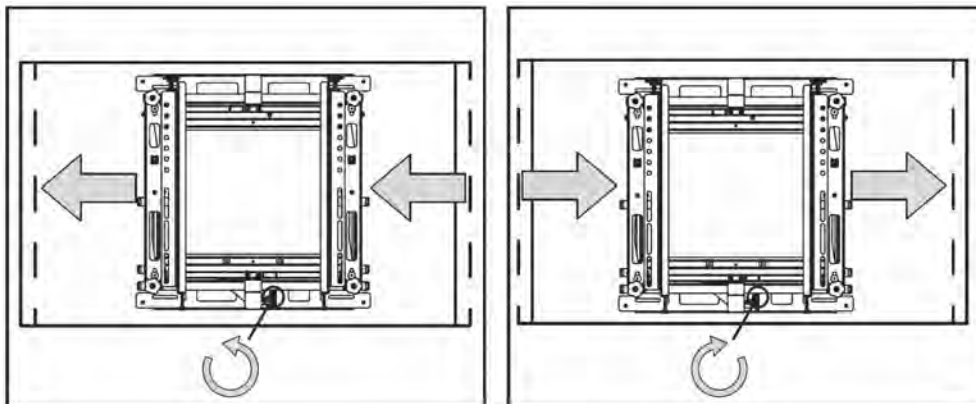


## Moving the display panel left and right

Slide the display panel to the left or right to align it with the display panel to the side.

Turn the red adjustment knob in the bottom center of the mount.

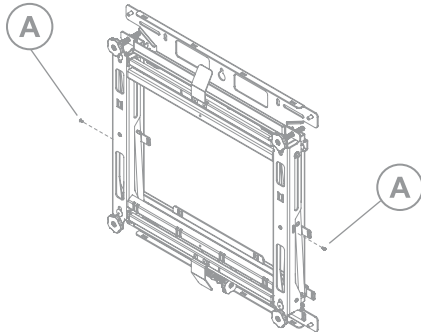
To move the display panel to the right, turn the knob clockwise. To move the display panel to the left, turn the knob counterclockwise.



## Locking the mount

To stop the mount from extending, secure the mount.

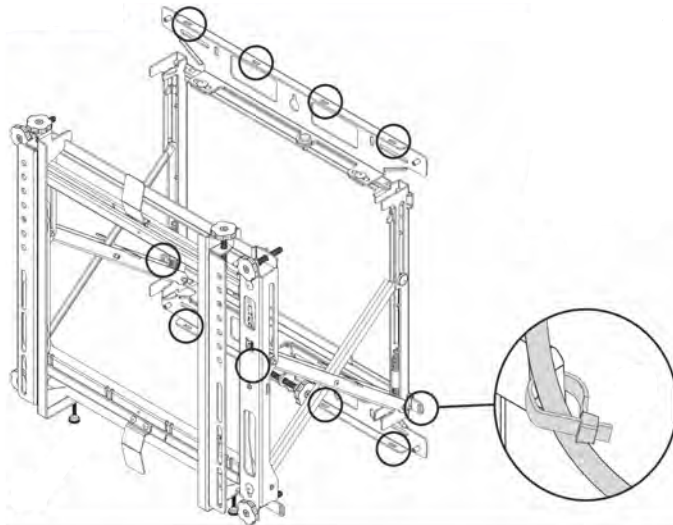
Using the Allen wrench, tighten the screws (A) in the exterior center of the mount extenders.



## Securing the display cables

Display cables can be secured to the top or bottom of the pull out mount assembly.

1. To secure the display cables, use the cable ties and cable management slots on the pull out mount assembly.



2. Bundle the cables with cable ties.

## Extending the adapter brackets

To access the rear of the display panel, pull the display panel away from the wall mount. Fully extend the wall mount for service only, and close directly after servicing.

1. Remove the security screws from the sides of the wall mount.  
To access the locking tabs for a mount, it may be necessary to extend the adapter brackets of the display panel above it.

2. Pull the red tab at the top or bottom of the mount.
3. Pull the display panel away from the wall mount.

## Closing the adapter brackets

Take caution when closing the adapter brackets to ensure the display panel is not damaged.

Pushing evenly on each side of the display panel, guide the display panel back into place until the locking tabs engage.

## Technical support

Technical support for Christie products is available at:

- North and South America: +1-800-221-8025 or [Support.Americas@christiedigital.com](mailto:Support.Americas@christiedigital.com)
- Europe, Middle East, and Africa: +44 (0) 1189 778111 or [Support.EMEA@christiedigital.com](mailto:Support.EMEA@christiedigital.com)
- Asia Pacific: +65 6877-8737 or [Support.APAC@christiedigital.com](mailto:Support.APAC@christiedigital.com)