

User Manual

020-001139-02

FHD492-XV and FHD552-XV



NOTICES

COPYRIGHT AND TRADEMARKS

Copyright © 2018 Christie Digital Systems USA Inc. All rights reserved.

All brand names and product names are trademarks, registered trademarks or trade names of their respective holders.

GENERAL

Every effort has been made to ensure accuracy, however in some cases changes in the products or availability could occur which may not be reflected in this document. Christie reserves the right to make changes to specifications at any time without notice. Performance specifications are typical, but may vary depending on conditions beyond Christie's control such as maintenance of the product in proper working conditions. Performance specifications are based on information available at the time of printing. Christie makes no warranty of any kind with regard to this material, including, but not limited to, implied warranties of fitness for a particular purpose. Christie will not be liable for errors contained herein or for incidental or consequential damages in connection with the performance or use of this material. Canadian manufacturing facility is ISO 9001 and 14001 certified.

WARRANTY

Products are warranted under Christie's standard limited warranty, the complete details of which are available by contacting your Christie dealer or Christie. In addition to the other limitations that may be specified in Christie's standard limited warranty and, to the extent relevant or applicable to your product, the warranty does not cover:

- a. Problems or damage occurring during shipment, in either direction.
- b. Problems or damage caused by combination of a product with non-Christie equipment, such as distribution systems, cameras, DVD players, etc., or use of a product with any non-Christie interface device.
- c. Problems or damage caused by misuse, improper power source, accident, fire, flood, lightning, earthquake, or other natural disaster.
- d. Problems or damage caused by improper installation/alignment, or by equipment modification, if by other than Christie service personnel or a Christie authorized repair service provider.
- e. Problems or damage caused by use of a product on a motion platform or other movable device where such product has not been designed, modified or approved by Christie for such use.
- f. Except where the product is designed for outdoor use, problems or damage caused by use of the product outdoors unless such product is protected from precipitation or other adverse weather or environmental conditions and the ambient temperature is within the recommended ambient temperature set forth in the specifications for such product.
- g. Image retention on LCD flat panels.
- h. Defects caused by normal wear and tear or otherwise due to normal aging of a product.

The warranty does not apply to any product where the serial number has been removed or obliterated. The warranty also does not apply to any product sold by a reseller to an end user outside of the country where the reseller is located unless (i) Christie has an office in the country where the end user is located or (ii) the required international warranty fee has been paid.

The warranty does not obligate Christie to provide any on site warranty service at the product site location.

PREVENTATIVE MAINTENANCE

Preventative maintenance is an important part of the continued and proper operation of your product. Failure to perform maintenance as required, and in accordance with the maintenance schedule specified by Christie, will void the warranty.

REGULATORY

The product has been tested and found to comply with the limits for a Class A digital device, pursuant to Part 15 of the FCC Rules. These limits are designed to provide reasonable protection against harmful interference when the product is operated in a commercial environment. The product generates, uses, and can radiate radio frequency energy and, if not installed and used in accordance with the instruction manual, may cause harmful interference to radio communications. Operation of the product in a residential area is likely to cause harmful interference in which case the user will be required to correct the interference at the user's own expense.

CAN ICES-3 (A) / NMB-3 (A)

이 기기는 업무용(A급)으로 전자파적합등록을 한 기기이오니 판매자 또는 사용자는 이점을 주의하시기 바라며, 가정 외의 지역에서 사용하는 것을 목적으로 합니다.

ENVIRONMENTAL

The product is designed and manufactured with high-quality materials and components that can be recycled and reused. This symbol means that electrical and electronic equipment, at their end-of-life, should be disposed of separately from regular waste. Please dispose of the product appropriately and according to local regulations. In the European Union, there are separate collection systems for used electrical and electronic products. Please help us to conserve the environment we live in!

Content

Safety instructions	6
Regulatory information	8
End-of-life disposal	8
Unpacking and installation	10
Unpacking	10
Package contents	10
Installation notes	10
IR remote sensor and power status indicator	11
Mounting the display on a wall	11
VESA grid	12
Ventilation requirements	12
Mounting in portrait mode	12
Installing an OPS device	12
Parts and functions	13
Control panel	13
Input/Output terminals	14
Remote control	15
General functions	15
Identifying a remote control	16
Inserting the batteries in the remote control	16
Handling the remote control	16
Connecting external equipment	18
Connecting a remote control sensor extension cable	18
Single display control	18
IR pass through control	19
Connecting multiple displays in a daisy-chain	19
Display control connection	19
Digital video connection for DVI	20
Digital video connection for DisplayPort	20
Analog video connection	20
HDMI video connection	21

OPS video connection.....	21
Connecting audio equipment	22
Connecting external speakers.....	22
Connecting an external audio device	22
On-screen display menu.....	23
Operating the display	23
Watching a connected video source.....	23
Changing the picture format.....	23
Choosing preferred picture settings.....	23
Choosing preferred sound settings	24
Playing multimedia files using a Local Area Network.....	24
Using DLNA-DMP	25
Using DLNA-DMR from a computer.....	25
Playing multimedia files from a USB device	26
Play options.....	26
Playing music files	26
Music options	27
Playing movie files	27
Movie options.....	27
Playing photo files	27
Start a slideshow	27
Slideshow options.....	28
On-screen display menu overview	28
PICTURE menu	28
SOUND menu.....	29
TILING menu	29
GENERAL SETTINGS menu.....	30
NETWORK SETTINGS menu.....	32
Input mode	34
VGA resolution.....	34
SDTV resolution	34
HDTV resolution.....	35
UHDTV resolution.....	35
Mura	35
How to spot Mura	35
How to avoid Mura.....	36

Cleaning the display.....	37
Caution when using the display.....	37
Front panel cleaning instructions.....	37
Cabinet cleaning instructions.....	37
Troubleshooting.....	38
No picture appears.....	38
Interference occurring or audible noise heard.....	38
Color is abnormal.....	38
Picture distorted with abnormal patterns.....	39
Display image does not fill full size of screen.....	39
Can hear sound but cannot see a picture.....	39
Can see a picture but cannot hear any sound.....	40
Some picture elements do not light up.....	40
After-images are still seen on display when it is off.....	40
Technical specifications.....	41
Display.....	41
In/Out terminals.....	41
General.....	42
Environmental conditions.....	42
Internal speaker.....	43

Safety instructions

Read and follow these instructions when connecting and using your display. If your display does not operate normally after using the instructions set out in this document, please contact a technician or your local service center.



Warning! Failure to comply with the following could result in death or serious injury.

- Use of controls, adjustments or procedures other than those specified in this documentation may result in exposure to shock, electrical hazards and/or mechanical hazards.
- Install the product near an easily accessible AC receptacle.
- SHOCK HAZARD! Only use the AC power cord provided with the product or recommended by Christie.
- SHOCK HAZARD! Disconnect the product from AC before moving, servicing, cleaning, removing components, or opening any enclosure.
- Do not apply excessive force to the sides of the bezel when mounting the panel or pushing it into its locked position.
- Always handle the product on the opposing corners of the bezel to avoid direct contact with the glass.



Notice. Failure to comply with the following may result in property damage.

- Do not subject the display to severe vibration or high impact conditions during operation.
- Only qualified service personnel should open the casing cover.
- Note: This equipment has been designed for connection to an IT power distribution system.
- Do not knock or drop the display during operation or transportation.
- Keep the display out of direct sunlight and away from stoves or any other heat sources.
- **Remove any object that could fall into ventilation holes or prevent proper cooling of the display's electronics.**
- Do not block the ventilation holes on the cabinet.
- When turning off the display by detaching the power cord, for normal operation wait six seconds before re-attaching the power cord.
- If the surface of the display becomes dirty, wipe the surface lightly with a soft clean cloth. If the surface requires additional cleaning, use LCD screen cleaner or LCD wipes, which can be purchased at most electronics stores. Never use alcohol, solvents, or ammonia-based liquids.
- Do not let cleaning products seep in to the display, as this may cause electrical shock or damage.
- To protect your display from possible damage, do not put excessive pressure on the LCD panel.
- When moving your display, grasp the frame to lift. Do not lift the display by placing your hand or fingers on the LCD panel.
- Unplug the display if you are not going to use it for an extensive period of time.
- Unplug the display if you need to clean it with a slightly damp cloth. The screen may be wiped with a dry cloth when the power is off.
- Never use organic solvent such as alcohol or ammonia-based liquids to clean your display.
- To avoid the risk of shock or permanent damage to the set, do not expose the display to dust, rain, water or an excessively moist environment.
- If your display becomes wet, wipe it with a dry cloth as soon as possible.
- If a foreign substance or water gets in your display, turn the power off immediately and disconnect the power cord. Remove the foreign substance or water and send the unit to the maintenance center.
- Do not store or use the display in locations exposed to heat, direct sunlight, or extreme cold.

- Contact your local service center for repairs or integration.
- To maintain the best performance of your display and ensure a longer lifetime, use the display in a location that falls within the following temperature and humidity ranges:
Temperature: 0-40°C 32-104°F
Humidity: 20-80% RH
- Always activate a moving screen saver program when you leave your display unattended.
Always activate a periodic screen refresh application if the unit unchanging static content.

Uninterrupted display of still or static images over an **extended period may cause "burn in", also known as "after-imaging" or "ghost imaging", on your screen. This is a well-known phenomenon in LCD panel technology. In most cases, the burned in image will disappear gradually over a period of time after the power has been switched off.**
Severe burn-in symptoms will not disappear and cannot be repaired. This is not covered under the terms of your warranty.

Product documentation

For installation, setup, and user information, see the product documentation available on the Christie Digital Systems USA Inc. website. Read all instructions before using or servicing this product.

1. Access the documentation from the Christie website:
 - Go to this URL: <http://bit.ly/2HYHN01>.
 - Scan the QR code using a QR code reader app on a smartphone or tablet.



2. On the product page, select the model and switch to the **Downloads** tab.

Related documentation

Additional information on the LCD panels is available in the following documents.

- *FHD492-XV/FHD552-XV LCD Panel Product Safety Guide (P/N: 020-102380-XX)*

Regulatory information

CE Declaration of Conformity

We declare under our responsibility that the product is in conformity with the following standards:

- EN60950-1:2006+A11:2009+A1:2010+A12:2011+A2:2013 (Safety requirement of Information Technology Equipment).
- EN55022:2010+AC:2011 (Radio Disturbance requirement of Information Technology Equipment).
- EN55024:2010 (Immunity requirement of Information Technology Equipment).
- EN61000-3-2:2014 (Limits for Harmonic Current Emission).
- EN61000-3-3:2013 (Limitation of Voltage Fluctuation and Flicker)
- EN 50581:2012 (Technical documentation for the assessment of electrical and electronic products with respect to the restriction of hazardous substances)

The following provisions of directives are applicable:

- 2014/35/EU (Low Voltage Directive).
- 2014/30/EU (EMC Directive).
- This device complies with the requirements set out in the Council directive on the Approximation of the Laws of the Member States relating to Electromagnetic Compatibility (2004/108/EC), Low-voltage Directive (2006/95/EC) and RoHS directive (2011/65/EU).
- 2011/65/EU (RoHS Directive) and is produced by a manufacturing organization on ISO9000 level.

Federal Communications Commission (FCC) Notice (U.S. Only)



This equipment has been tested and found to comply with the limits for a Class A digital device, pursuant to Part 15 of the FCC Rules. These limits are designed to provide reasonable protection against harmful interference when the equipment is operated in a commercial environment. This equipment generates, uses and can radiate radio frequency energy and, if not installed and used in accordance with the instruction manual, may cause harmful interference to radio communications. Operation of this equipment in a residential area is likely to cause harmful interference in which case the user will be required to correct the interference at his own expense.



This device complies with Part 15 of the FCC Rules. Operation is subject to the following two conditions: (1) this device may not cause harmful interference, and (2) this device must accept any interference received, including interference that may cause undesired operation.

1. We are committed to develop, produce and market products that cause no adverse health effects.

End-of-life disposal

Your new Public Information Display contains materials that can be recycled and reused. Specialized companies can recycle your product to increase the amount of reusable materials and to minimize the amount to be disposed of.

Please find out about the local regulations on how to dispose of your old display from your local dealer.

(For customers in Canada and U.S.A.)

This product may contain lead and/or mercury. Dispose of in accordance to local-state and federal regulations. For additional information on recycling contact www.eia.org (Consumer Education Initiative)

Waste Electrical and Electronic Equipment-WEEE**Attention users in European Union private households**

This marking on the product or on its packaging illustrates that, under European Directive 2012/19/EU governing used electrical and electronic appliances, this product may not be disposed of with normal household waste. You are responsible for disposal of this equipment through a designated waste electrical and electronic equipment collection. To determine the locations for dropping off such waste electrical and electronic, contact your local government office, the waste disposal organization that serves your household or the store at which you purchased the product.

Attention users in United States:

Please dispose of according to all Local, State and Federal Laws. For the disposal or recycling information, contact: www.mygreenelectronics.com or www.eiae.org.

End of Life Directives-Recycling

Your new Public Information Display contains several materials that can be recycled for new users. Please dispose of according to all Local, State, and Federal laws.

Unpacking and installation

Unpacking

This product is packed in a carton with the standard accessories. Any other optional accessories will be packed separately. Due to the size and weight of this display it is recommended for two people to move it. After opening the carton, ensure that the contents are complete and in good condition.

Package contents

Please verify that the following items are in the package:

- LCD display
- Remote control with AAA batteries
- IR receiver extension
- IR loop cable
- Power cord
- RS232 cable
- RS232 loop cable

NOTES:

- For all other regions, apply a power cord that conforms to the AC voltage of the power socket and has been approved by and complies with the safety regulations of the particular country.
- Save the package box and packing material for shipping the display.

Installation notes

Due to the high power consumption, always use the plug exclusively designed for this product. If an extended line is required, please consult your service agent.

Install the product on a flat surface to avoid tipping. For proper ventilation, maintain the distance between the back of the product and the wall. Avoid installing the product in a kitchen, bathroom, or any other place with high humidity so as not to shorten the service life of the electronic components.

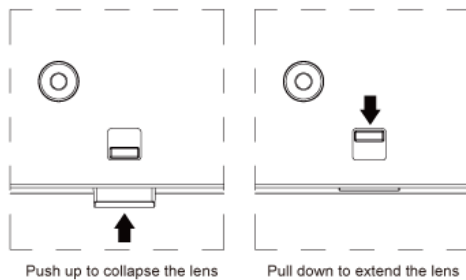
The product can normally operate only under 3000m in altitude. In installations at altitudes above 3000m, some abnormalities may be experienced.

IR remote sensor and power status indicator

1. For optimal IR remote control performance, pull down the retractable lens from the backside of the display.

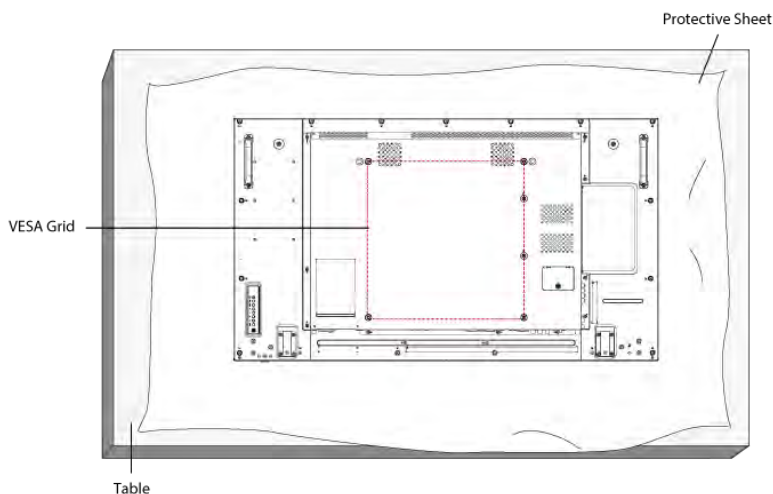
The LED power status light is also best viewed when the lens is pulled down.

2. When tiled in video walls, the lens should be pushed up to optimize tiling.
3. You will hear a click when the lens is fully in position.



Mounting the display on a wall

To mount this display to a wall, obtain a standard wall-mounting kit that is suitable for the weight of the system. A mounting interface that complies with TUV-GS and/or UL1678 standard in North America is recommended.



1. Lay a protective sheet on a table beneath the screen surface so as not to scratch the screen face.
2. Ensure you have all accessories for mounting this display.
3. Follow the instructions that come with the base mounting kit.

Failure to follow correct mounting procedures could result in damage to the equipment or injury to the user or installer. Product warranty does not cover damage caused by improper installation.

4. For the wall-mounting kit, use M6 mounting screws 10 mm longer than the thickness of the mounting bracket and tighten them securely.

VESA grid

FHD492-XV 400(H) x 200(V) mm

FHD552-XV 400(H) x 400(V) mm

To prevent the display from falling:

- For wall or ceiling installation, install the display with commercially available metal brackets. For detailed installation instructions, refer to the documentation included with the brackets.
- To lessen the probability of injury and damage resulting from the display falling during an earthquake or other natural disaster, consult the bracket manufacturer for the recommended installation location.

Ventilation requirements

To allow heat to disperse, leave a minimum of 25 mm between the display and any surrounding objects. For larger video walls, allow for larger gaps around the display, depending on the size of the wall.

Mounting in portrait mode

This display can be installed in portrait position.

1. If attached, remove the table stands.
2. While facing the back of the panel, rotate it 90 degrees counterclockwise.
3. Mount the display.



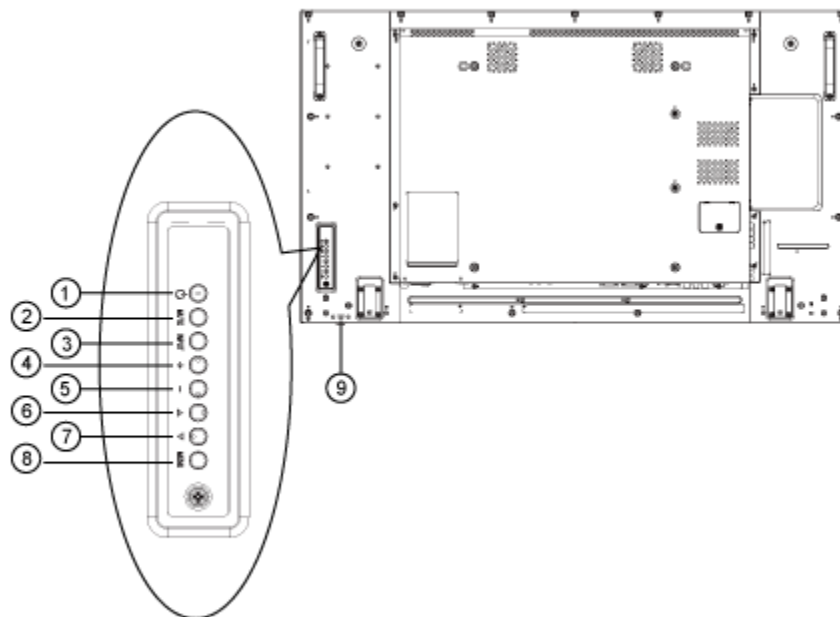
Installing an OPS device

To install an OPS device on the display:

1. Remove the screws on the OPS cover.
2. Install the OPS device.
3. Fix the OPS device by screws.

Parts and functions

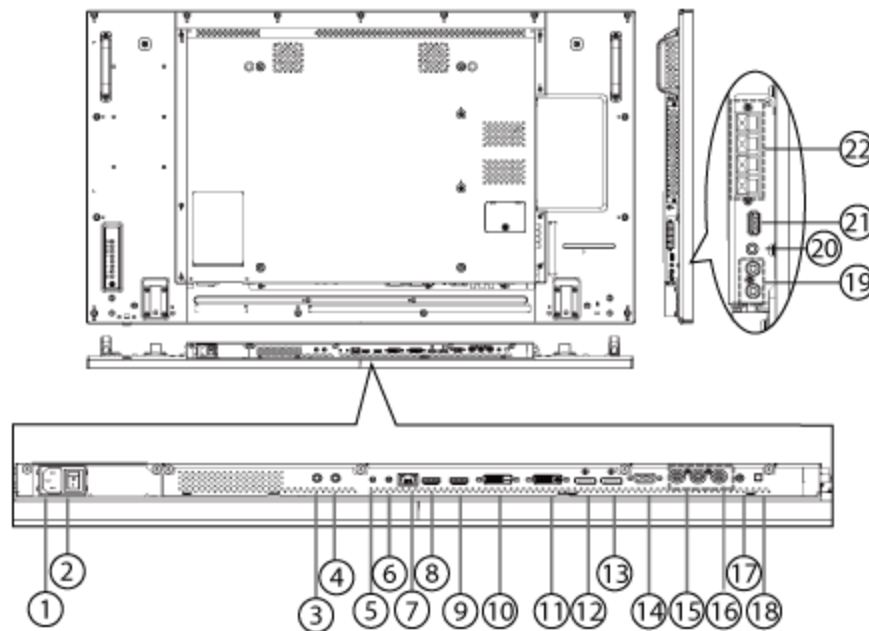
Control panel



<p>1 POWER button Turns the display on or puts the display into standby mode.</p>	<p>6 ▲ (Up) button While the OSD menu is on, moves the selection up.</p>
<p>2 MUTE button Mutes and un-mutes the display audio.</p>	<p>7 ▼ (Down) button While the OSD menu is on, moves the selection down.</p>
<p>3 INPUT button Selects the input source.</p>	<p>8 MENU button While the OSD menu is on, returns to previous menu. While the OSD menu is off, activates the OSD menu.</p>
<p>4 + (Plus) button While the OSD menu is on, increases the adjustment. While the OSD menu is off, increases the audio level.</p>	<p>9 Remote control sensor and power status indicator Receives command signals from the remote control. Indicates the operating status of the display without the OPS:</p> <ul style="list-style-type: none"> • Green—the display is turned on
<p>5 - (Minus) button While the OSD menu is on, decreases the adjustment. While the OSD menu is off, decreases the audio</p>	

output level.	<ul style="list-style-type: none"> • Red—the display is in standby mode • Amber—the display enters APM mode
---------------	---

Input/Output terminals



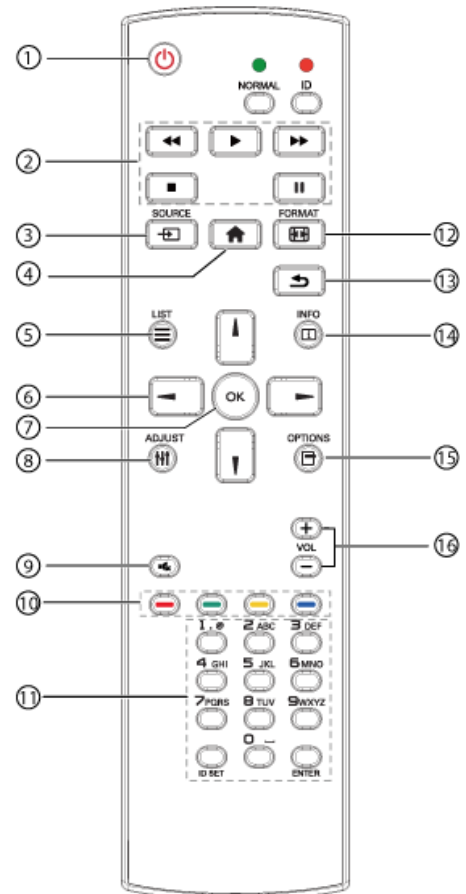
1 AC IN AC power input from the wall outlet.	11 DVI OUT DVI, VGA, HDMI, or OPS video output.
2 MAIN POWER SWITCH Switches the main power on/off.	12/13 DisplayPort IN / DisplayPort OUT DisplayPort video input/output.
3/4 IR IN / IR OUT Reserved for the wired connection of the IR control. If an external IR receiver is connected to IR IN , the display's remote sensor is disabled.	14 VGA IN (D-Sub) VGA video input.
5 RS232C IN RS232C network input for the loop-through function.	15 COMPONENT VIDEO Component YPbPr video source input.
6 RS232C OUT RS232C network output for the loop-through function.	16 COMPOSITE VIDEO Video source input.
7 LAN LAN control function for the use of the remote control signal from the control center.	17 PC AUDIO IN Audio input for VGA source (3.5 mm stereo phone).
	18 SPEAKER SWITCH Internal speaker on/off switch.

8	HDMI 1 IN HDMI video/audio input.	19/20	AUDIO IN / AUDIO OUT Audio input/output to an external AV device.
9	HDMI 2 IN HDMI video/audio input.	21	USB (FW / MULTI MEDIA FUNCTION) For firmware update or media playback.
10	DVI IN DVI-D video input.	22	SPEAKERS OUT Audio output to external speakers.

Remote control

General functions

1	POWER button Turns standby mode on or off.		
2	PLAY buttons Rewind, play, fastforward, stop, or pause.		
3	SOURCE button Choose from HDMI 1, HDMI 2, DisplayPort, Card OPS, DVI-D, YPbPr, AV, or VGA.		
4	HOME button Access the OSD menu.		
5	LIST button Not supported.		
6	NAVIGATION buttons Navigate through menus and choose items.		
7	OK button Confirm an entry or a selection.		
8	ADJUST button Access available sound and picture menus.		
9	MUTE button Turn the mute function on and off	13	BACK button Return to the previous menu page, or exit from a function.
10	COLOR buttons Red turns the tiling enable function on and off. Green/Yellow/Blue are not supported.	14	INFO button View information about the display.
11	NUMBER/ ID SET/ ENTER button Enter text for a network setting, or press to set the display ID. See Identifying a remote control for details.	15	OPTIONS button Not supported.
12	FORMAT button Change the aspect ratio of the	16	VOLUME buttons Increase or decrease the audio



screen.	volume
---------	--------

Identifying a remote control

Set a remote control ID when you want to pair a remote control on a specific display in an array. Before you set a remote control ID, you must set up an ID number for each display.

1. At the top of the remote control, press and hold the **ID** button until the red LED blinks twice.
2. To enter ID Mode, at the bottom of the remote control, press and hold the **ID SET** button until the red LED lights up.

To exit ID Mode, press and hold the **ID SET** button again, until the red LED turns off.

3. Enter the display number that you want to control.

You must enter digit numbers. For example, enter 01 for display number 1, and 11 for display number 11.

4. Press the **Enter** button to confirm your selection.

The red LED blinks twice, then turns off.

Inserting the batteries in the remote control

The remote control is powered by two 1.5V AAA batteries.



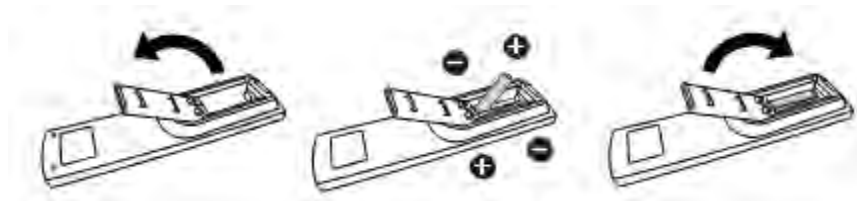
Caution! Failure to comply with the following could result in minor or moderate injury.

- The incorrect use of batteries can result in leaks or bursting.
- Place "AAA" batteries matching the (+) and (-) signs on each battery to the (+) and (-) signs of the battery compartment.
- Do not mix battery types.
- Do not combine new batteries with used ones as it causes shorter life or leakage of batteries.
- Remove the dead batteries immediately to prevent them from leaking in the battery compartment. Do not touch exposed battery acid, as it can damage your skin.

If you do not intend to use the remote control for a long period, remove the batteries.

To install or replace batteries:

1. Press and slide the cover to open it.
2. Align the batteries according to the (+) and (-) indicators inside the battery compartment.
3. Replace the cover.



Handling the remote control

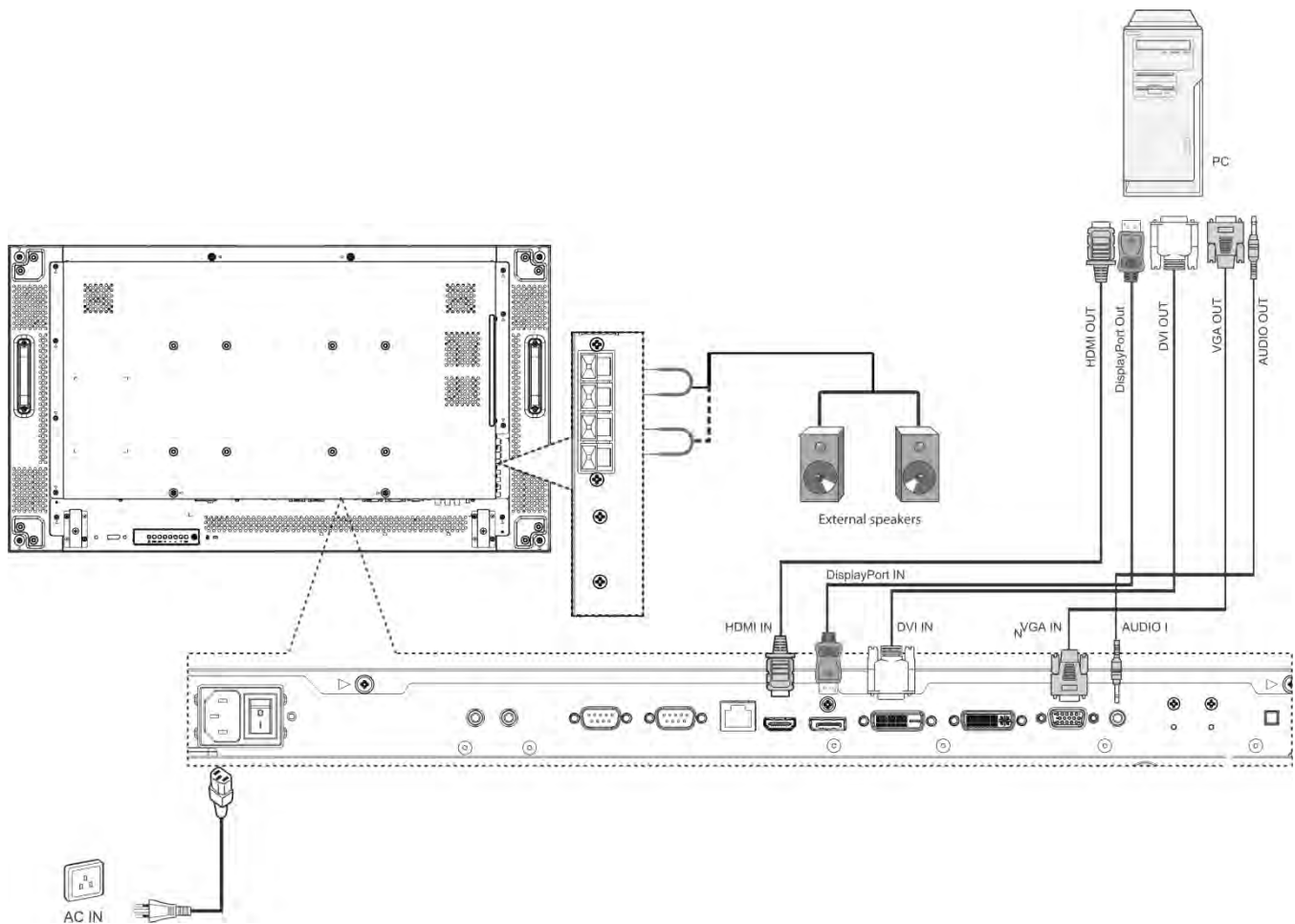
When handling the remote:

- Do not subject to strong shock.

- Do not allow water or other liquid to splash the remote control. If the remote control gets wet, wipe it dry immediately.
- Avoid exposure to heat and steam.
- Other than to install the batteries, do not open the remote control.

Connecting external equipment

The peripherals and cables shown are for example purposes only.



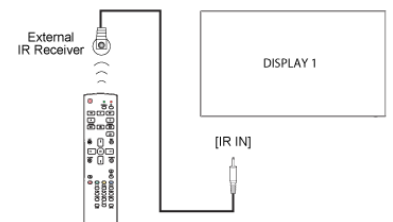
Connecting a remote control sensor extension cable

Complete the following optional tasks if you do not want to control the IR remote wirelessly using the IR remote sensor and power status indicator on the back of the display.

Single display control

1. To control one display, connect the IR Sensor cable to the **IR IN** port.
2. Point the top of the remote control toward the IR Sensor cable when pressing a button.

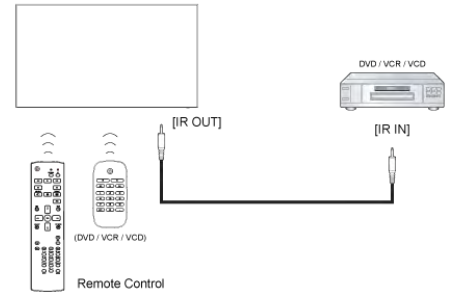
NOTE: The display's remote control sensor stops working after connected with the IR Sensor cable.



IR pass through control

To control a video wall set up by multiple displays, use the IR sensor cable and the IR cable.

1. Connect with the IR cable from the **IR OUT** port of the display to the IR input port of the DVD player.
2. The IR signal is passed to DVD player when pressing a button.



Connecting multiple displays in a daisy-chain

Connect multiple displays to create a daisy-chain configuration for applications such as a video wall. For larger video wall configurations, Christie recommends using a distribution amp. A maximum of 100 display panels (10 x 10) can be used in a daisy-chain configuration.

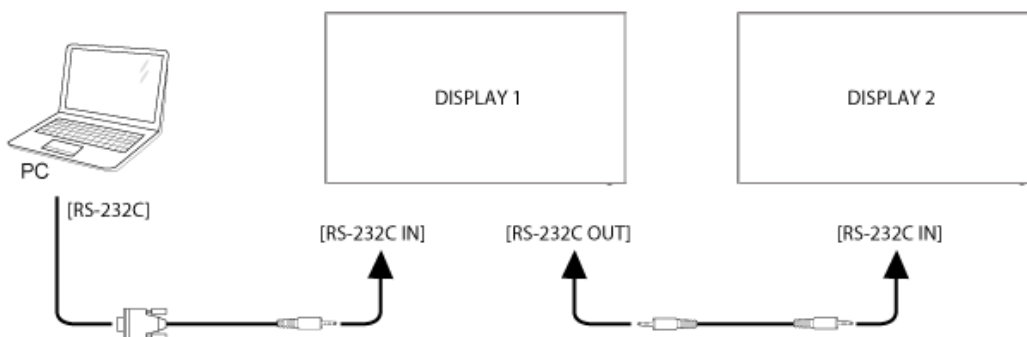
IR support is only available using a passthrough connection.

Signal cable (DVI and Port)—Support for up to 20 panels in a daisy-chain configuration on one signal cable.

Control cable (RS232 or LAN)—Support for up to a maximum of 10x10 panels in a daisy-chain configuration on one control cable.

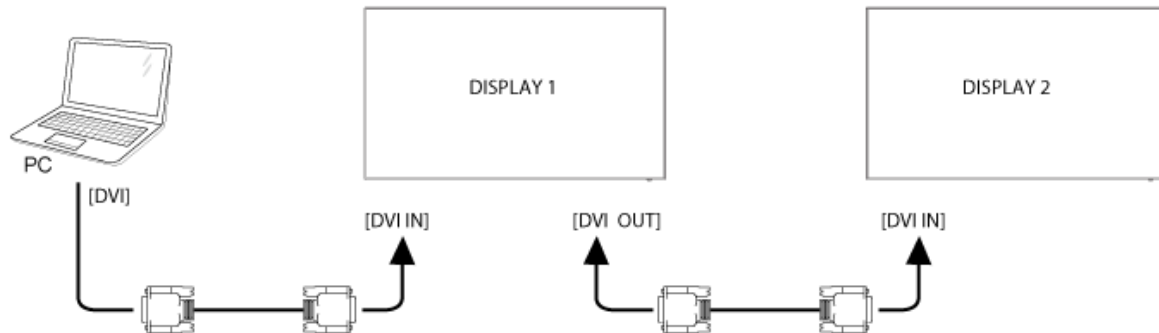
Display control connection

Connect the RS232C OUT connector of DISPLAY 1 to the RS232C IN connector of DISPLAY 2.



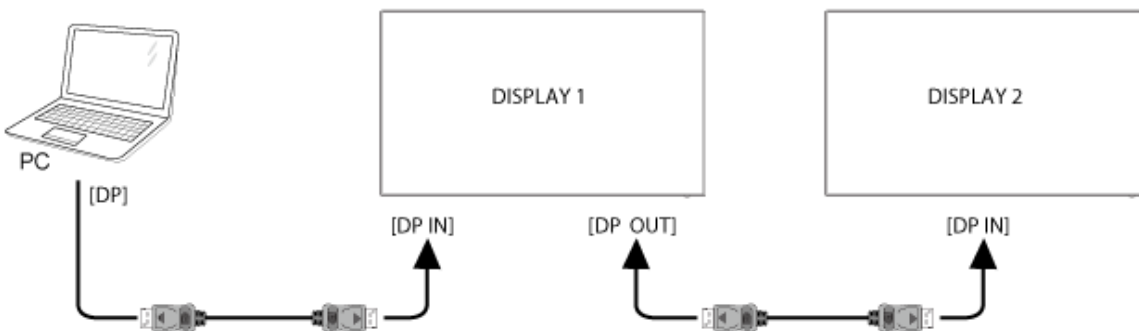
Digital video connection for DVI

Connect the DVI OUT connector of DISPLAY 1 to the DVI IN connector of DISPLAY 2.



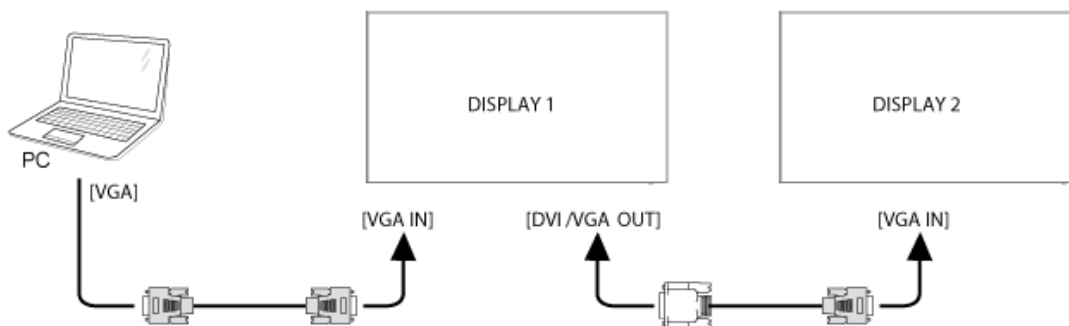
Digital video connection for DisplayPort

Connect the DP OUT connector of DISPLAY 1 to the DP IN connector of DISPLAY 2.



Analog video connection

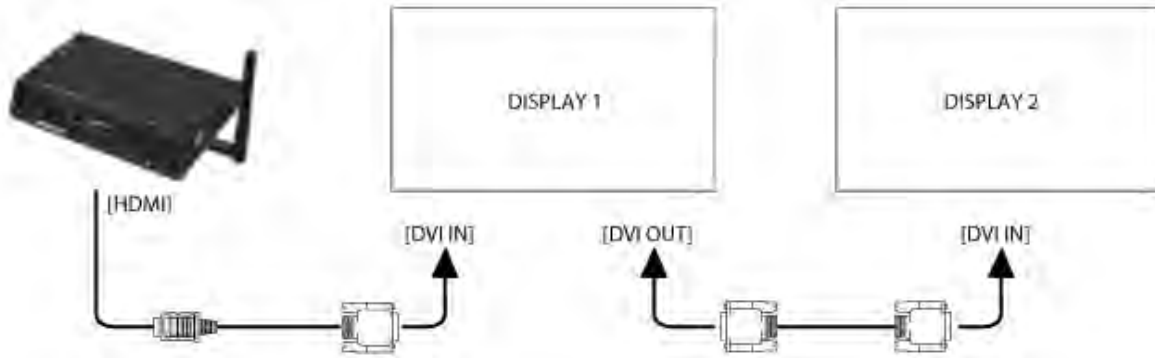
Connect the DVI OUT / VGA OUT connector of DISPLAY 1 to the VGA IN connector of DISPLAY 2.



HDMI video connection

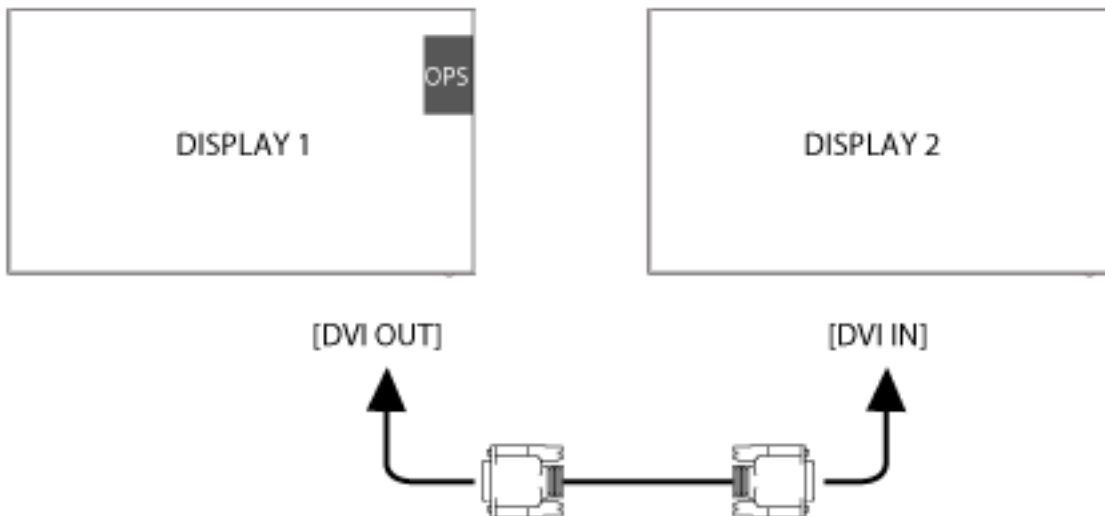
Connect the DVI OUT connector of DISPLAY 1 to the DVI IN connector of DISPLAY 2.

Note that the first panel in the daisy-chain configuration must have the HDMI signal switched to a DVI signal.



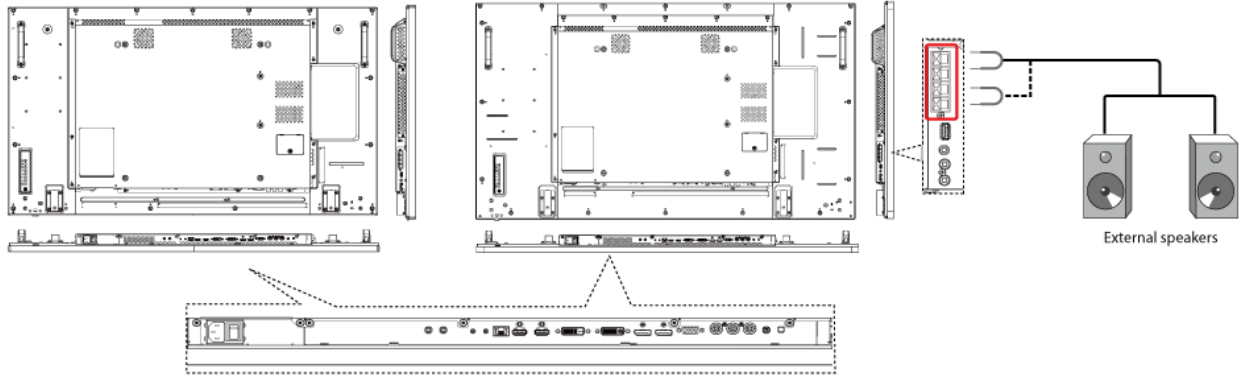
OPS video connection

Connect the DVI OUT connector of DISPLAY 1 to the DVI IN connector of DISPLAY 2.

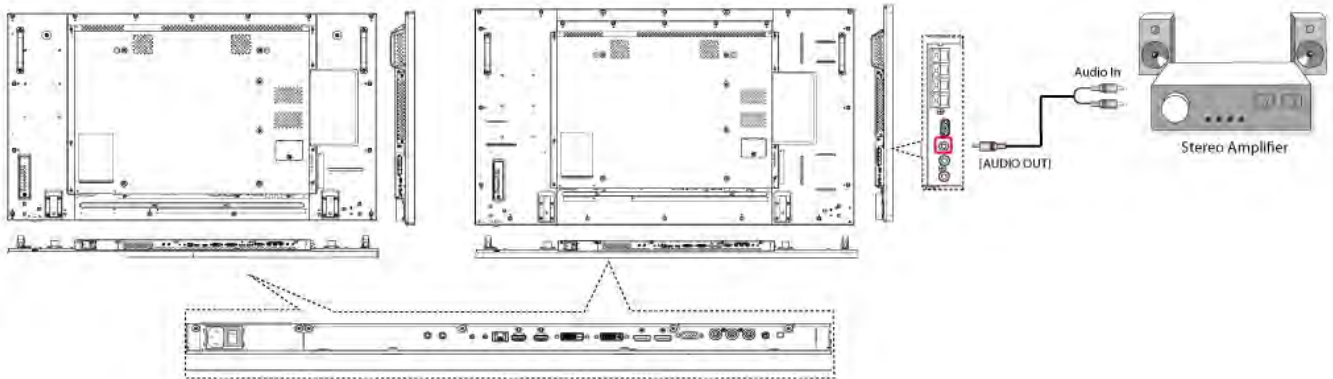


Connecting audio equipment

Connecting external speakers



Connecting an external audio device



On-screen display menu

An overall view of the on-screen display (OSD) structure is shown below. Use it as a reference to further adjust your display.

Operating the display

Unless otherwise specified, the control button in this section refers to the remote control.

Watching a connected video source

1. Press **Source**.
2. Press **Up** or **Down** to choose a device.
3. Click **OK**.

Changing the picture format

You can change the picture format to suit the video source. The available picture formats depend on the video source.

1. Press **Format**.
2. To select a format, press **Up** or **Down**, and select one of the following options:
 - **Auto zoom**—Enlarge the picture to fill the screen. This option is recommended for minimal screen distortion but should not be used with **HD** or **PC**.
 - **Movie expand 16:9**—Scale the format from 4:3 to 16:9. This option is not recommended for **HD** or **PC**.
 - **Wide screen**—Content is displayed in a wide screen format but is not stretched. This option is not recommended for **HD** or **PC**.
 - **Unscaled**—Provides maximum detail for **PC**. To use this option, you must select **PC** mode from the **Picture** menu.
 - **4:3**—Content is displayed in the classic 4:3 format.
3. Press **OK**.

Choosing preferred picture settings

1. While the display is playing a video source, press **Adjust**.
2. Press **Left** or **Right** and select **Picture style**.
3. Press **OK**.
4. To choose your settings, press **Up** or **Down**, and select one of the following options:
 - **Personal**—Apply your personalized settings.
 - **Vivid**—Ideal for daytime viewing.

- **Natural**—Natural picture settings.
- **Standard**—This is the default setting. The Standard setting is suitable for most environments and types of video.
- **Movie**—Ideal for displaying movies.
- **Photo**—Ideal for displaying photos.
- **Energy saving**—Use this setting to conserve energy.

5. Press **OK**.

Choosing preferred sound settings

1. While the display is playing a video source, press **Adjust**.
2. Press **Left** or **Right** and select **Sound style**.
3. Press **OK**.
4. To choose your settings, press **Up** or **Down**, and select one of the following options:
 - **Personal**—Apply your personalized sound settings.
 - **Original**—This setting is suitable for most environments and types of audio.
 - **Movie**—Ideal for movies.
 - **Music**—Ideal for listening to music.
 - **Game**—Ideal for playing games.
 - **News**—This setting is ideal for spoken audio, such as the news.

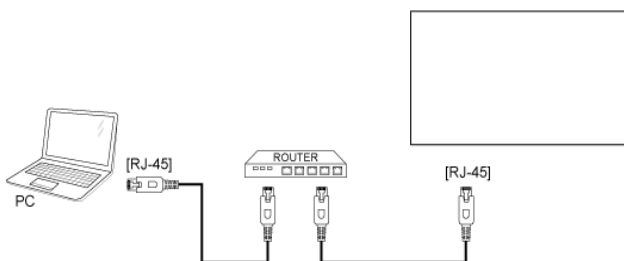
Playing multimedia files using a Local Area Network

To play a multimedia file over a Local Area Network (LAN), you must have the following:

- A wired home network, connected with a Universal Plug and Play (UPnP) router.
- A media server running on your computer.
- Appropriate settings on your computer firewall that allow you to run the media server.
- It is recommended that you have a LAN cable connecting your display to your home network.

Setting up the network

1. Connect the display and the computer to the same home network.



2. Turn on the computer and the router.

If your setup does not return to DLNA mode, you might have to return it to DLNA mode manually.

Setting up media sharing

1. Install a media server on your computer. The following media servers are recommended:
 - **PC**—Windows Media Player 11 or higher, or TVersity
 - **Mac**—Twonky
2. Use the media server to turn on media sharing on your computer.

For more information on setting up a media server, refer to the media server’s website.

Using DLNA-DMP

1. Connect the display to the computer using an RJ-45 connection.
2. Run the media player, and set the stream handling to **Public Sharing**.

Playing files on multiple displays

You can connect up to four displays to and play the same media stream on one computer. It is recommended that you use a wired network and a DLNA-DMP function for higher security and sufficient network bandwidth.

1. Press **Source**.
2. Select **Network**, and then press **OK**.
3. Select a computer from the list.
4. Press **Down** or **Right** to choose a directory and a file to play.

Using DLNA-DMR from a computer

1. Press **Home**.
2. Select **Network Settings**, and then press **OK**.
3. Select **Digital Media Render**, and then select **ON**.
4. Enter the name of your display, and then click **Done**.
5. Press **Source**.
6. Select **Network**, and then press **OK**.
7. On your computer, navigate to the **Network and Sharing Center**, and click **Choose homegroup and sharing options**.
8. Verify the media formats, and then click **Choose media streaming options...**
9. Open **Advanced sharing settings**, and select **Turn on network discovery**.
10. Navigate to the directory where you saved your media files. Right click a file, and select **Play To**.
11. Choose a display, and then click the file to play the content.

Playing files

1. Press **Source**.
2. Select **Network**, and then press **OK**.
3. In the content browser, select a file and then press **OK**.
The content begins to play.
4. Press any of the **Play** buttons on the remote control to control the content.

Tips: Playing files

- To filter your files by type, click the top bar.
- Select **Sort** to arrange the files by album name, artist, or other fields.
- To clear the list of offline media servers, press **Options**. Select **Clear offline servers** and then press **OK**.

Playing multimedia files from a USB device

1. Connect a USB device to the USB port on the display.
2. Press **Source**.
3. Select **USB**, and then press **OK**.
The display detects the USB device and sorts the playable files by Music, Movie, and Photo.
4. Press **Back**, and then press **Left** or **Right** to select a file type.
5. To enter a file type's playlist, press **OK**.
6. To play a file, select a file you want to play, and then press **OK**.
7. Press the **Play** buttons on the remote control to control the content.

Play options

Playing music files

1. In the top bar at the top of the display, select **Music**.
2. Select a music track, and press **OK**.
 - To play all tracks in a folder, select a music file and then press the red color button to **Play All**.
 - To skip to the previous or the next track, press **Up** or **Down**.
 - To pause a track, press **OK**. To resume playback, press **OK** again.
 - To rewind or fast forward a track, press **Rewind** or **Fast Forward**. To toggle between different speeds, press either button again.
 - To stop the music, press **Stop**.

Music options

To view information about a song, select a song and press **Info**.

1. While you are playing music, press **Options**, and then press **OK**.
2. Select an option:
 - **Shuffle**—Play tracks in a randomized order.
 - **Repeat**—Play a track or an album repeatedly.
 - **Play Once**—Play a track only once.

Playing movie files

1. In the top bar at the top of the display, select **Movie**.
2. Select a video, and then press **OK**.
 - To play all videos in a folder, select a video file and then press the red color button to **Play All**.
 - To pause a video, press **OK**. To resume playback, press **OK** again.
 - To rewind or fast forward a video, press **Rewind** or **Fast Forward**. To toggle between different speeds, press either button again.
 - To stop a video, press **Stop**.

Movie options

1. While you are playing a video, press **Options**, and then press **OK**.
2. Select an option:
 - **Subtitles**—Select an option from the available subtitle settings.
 - **Subtitle Language**—Select a language for the subtitles
 - **Shuffle**—Play video files in a randomized order.
 - **Repeat**—Play a video repeatedly.
 - **Play Once**—Play the video only once.
 - **Status**—Video information about a video.

Playing photo files

1. In the top bar at the top of the display, select **Photo**.
2. Select a photo thumbnail, and then press **OK**.

Start a slideshow

1. Open a folder that contains multiple photos, and select a photo.

2. Press the red color button to **Play All**.
3. To stop the slideshow, press **Stop**.

Slideshow options

1. While you are playing a slideshow, press **Options**, and then press **OK**.
2. Select an option:
 - **Shuffle**—Display pictures in a randomized order.
 - **Repeat**—Play a slideshow repeatedly.
 - **Play Once**—Play a slideshow only once.
 - **Slideshow Time**—Select a display time for each photo in a slideshow.
 - **Slideshow Transitions**—Select how to transition from one photo to the next.

On-screen display menu overview

The following sections give an overview of the functionality provided in the on-screen display menu.

PICTURE menu

Menu item	Description	Options
PICTURE STYLE	Choose a predefined picture setting.	—
RESTORE STYLE	Restore the previous predefined picture setting.	—
BACKLIGHT	Adjust the brightness of a display’s backlight.	—
COLOUR	Adjust the color saturation of the picture.	—
SHARPNESS	Adjust the sharpness of the picture.	—
NOISE REDUCTION	Select the amount of noise reduction for the picture.	—
MPEG ARTIFACT REDUCTION	Smooth transitions and haziness in the digital picture.	—
DIGITAL CRYSTAL CLEAR	Fine-tune each pixel to match surrounding pixels and produce a high-definition image.	<ul style="list-style-type: none"> • Advanced Sharpness—Create a sharper image on lines and contours in the picture. • Dynamic Contrast—Enhance the details in the dark, medium and light areas of the picture • Colour Enhancement—Enhance the vividness and details of colors.
ADVANCED	Access advanced settings.	<ul style="list-style-type: none"> • Gamma—Adjust the non-linear setting for picture luminance and contrast.

		<ul style="list-style-type: none"> • Tint—Change the color balance. • Custom Tint—Customize color balance settings. This option is only available if you select Tint > Custom. • Video Contrast—Adjust the video contrast. • Brightness—Adjust the screen brightness. • Hue—Adjust the screen hue.
GAME OR COMPUTER	<p>If you are viewing content using a game console, select Game. If you are viewing content using a computer connected to an HDMI cable, select Computer.</p> <p>To view maximum detail in the image, ensure that you select Format and Edges > Picture Format > Unscaled.</p>	—
FORMAT AND EDGES	To change the picture format, select Picture Format .	—

SOUND menu

Menu item	Description	Options
SOUND STYLE	Access predefined sound settings.	—
RESTORE STYLE	Restore your previous sound settings.	—
BASS	Increase or decrease lower-pitched sounds.	—
TREBLE	Increase or decrease higher-pitched sounds.	—
BALANCE	Emphasize left or right audio output balance.	—
SURROUND MODE	Set the surround effects for audio performance.	—
AUDIO OUT	Adjust the audio output volume.	—
ADVANCED	Access advanced settings	<ul style="list-style-type: none"> • Auto Volume Leveling—Reduces sudden volume changes • Speaker Settings—Turns the internal speakers on or off. • Clear Sound—Enhances the sound quality.
SCREEN RESET	Resets all settings in the SCREEN menu to factory preset values.	—

TILING menu

Use the tiling menu options if you are building an array of display panels. You can create arrays that contain up to 100 display panels, up to 10 vertically and 10 horizontally.

Menu item	Description
ENABLE	Turns the tiling function on or off. When turned on, settings in an array are applied by H Monitors , V Monitors , Position , and Frame Comp .
H MONITORS	Adjust the display panels on the horizontal side.
V MONITORS	Adjust the display panels on the vertical side.
POSITION	Adjust the position of the display panel in the array.
FRAME COMP	Turn the frame composition function on or off. When turned on, display panels in an array adjust an image to compensate for the width of the bezels to accurately display the image.

GENERAL SETTINGS menu

Menu item	Description	Options
MENU LANGUAGE	Select a display language for the display menus.	—
MONITOR ID	Change the ID number for a display panel in an array using an RS232C connection. Each display panel in an array must have a unique ID number. Choose a number from 1 to 255.	—
ECO MODE	Automatically reduce the power consumption of the display.	—
AUTO SEARCH	Allow the display to automatically detect and show the available signal sources.	—
CLOCK	Set the current date and time for the display's internal clock.	—
SCHEDULING	Select when the display turns on. You can program up to 7 different time intervals. If you make changes to the Clock settings, you must reset the Scheduling settings.	You can set: <ul style="list-style-type: none"> • Which input source the display uses when it is activated. • The time that the display turns on and off. • Specific days that the display is activated.
SLEEP TIMER	Turn off the display after a specified time period.	—
EASY LINK	Connect your HDMI-CEC devices to a display using the same remote control. Use the HDMI port to connect and control the devices.	—
AUTO ADJUST	Automatically optimize the display of the VGA input image. This option is only available for VGA inputs.	—
LOCAL KB LOCK	Enable or disable the display keyboard functions. To disable the lock function, on the remote control, press Home , and then press 1998 .	Enable or disable any of the following: <ul style="list-style-type: none"> • Unlock—Enable the keyboard function. • Lock All—Lock all keyboard functions. • Lock but Volume—Disable all keyboard functions except for

		<p>the volume buttons.</p> <ul style="list-style-type: none"> • Lock but Power—Disable all keyboard functions except for the power button. • Lock All Except Volume and Power—Disable all keyboard functions except for the volume and the power buttons.
RC LOCK	<p>Enable or disable button functions on the remote control.</p> <p>To disable the lock function, on the remote control, press Home, and then press 1998.</p>	<p>Enable or disable any of the following:</p> <ul style="list-style-type: none"> • Unlock—Enable the keyboard function. • Lock All—Lock all keyboard functions. • Lock but Volume—Disable all keyboard functions except for the volume buttons. • Lock but Power—Disable all keyboard functions except for the power button. • Lock All Except Volume and Power—Disable all keyboard functions except for the volume and the power buttons.
PIXEL SHIFT	<p>If you are using a video input source, turn the Pixel Shift on to automatically move the image on the display and avoid “burn-in” or “after-image” symptoms which can occur after 30 seconds of inactivity.</p>	—
SMART POWER	<p>Optimize dynamic power consumption and picture contrast by selecting a backlight level.</p>	<p>Choose from:</p> <ul style="list-style-type: none"> • Off • Standard • Best Power • Best Picture
WAKE ON LAN	<p>Turn on the display by network.</p>	
SWITCH ON STATE	<p>Select a display status to use when you connect the display to a power source using a power cord.</p>	<p>Select any of the following:</p> <ul style="list-style-type: none"> • On—The display turns on when the power cord is connected to a wall outlet. • Standby—The display remains on standby mode when the power cord is connected to a wall outlet. • Last Status—The display returns to the previous power status when the power cord is connected to a wall outlet.
LED	<p>To turn off the LED indicator, select Off.</p>	—
SWITCH ON DELAY	<p>If you connect multiple display panels in an array, you can adjust the power-on delay time and power up each display panel sequentially by ID number.</p>	—
APM	<p>When APM is turned on, the display automatically turns off if a signal is unavailable.</p>	—
INFORMATION	<p>By default, when a display is turned on from</p>	—

OSD	standby mode or if there is a change in the input signal, the information OSD appears in the top left corner of the screen. To disable this function, select Off .	
DISPLAY PORT VER.	If you are using the DisplayPort input or output, you can set the DisplayPort version to 1.1a or 1.2. If the display appears abnormal or the screen is black under a DisplayPort source, switch to 1.1a and restart the AC.	<ul style="list-style-type: none"> • 1.1a—This is the default setting. The DisplayPort output is a clone of the DisplayPort input. • 1.2—This option supports Multi-Stream Transport (MST).
COOLING FAN	Select an option for when the cooling fan turns on and turns off. If the display reaches a temperature of 70 degrees celcius (158 farenheit) a warning message appears on the screen. If the temperature remains at or above 70 degrees celcius for more than three consecutive minutes, the display shuts down and an LED light blinks red and green.	Choose one of the following: <ul style="list-style-type: none"> • Auto—This is the default option. The cooling fan beins running if the display reaches a temperature of 60 degrees celcius (140 farenheit) is reached. • On—The cooling fan remains on at all times.
NETWORK CONTROL PORT	Select either the RS232 control from Card OPS or the embedded RS232 from the PD set.	
FACTORY SETTINGS	Reset all settings to the factory default settings.	

Setting the scheduling

1. Select **General Settings > Scheduling**.
2. Select **Status > On**.
3. Select **Source**, and then choose a source.
If you select USB, you must also set a playlist.
4. Set the **On Time**, and then click **Done**.
5. Set the **Off Time**, and then click **Done**.
6. If you want the display to turn on repeatedly, select **Repeat Modes**, and then select an interval.
7. If your source is USB, select **Playlist Setting**.
 - To choose files, on the remote control, use the **Up** and the **Down** buttons.
 - To switch between the playlist and the File Manager, on the remote control, use the **Left** and the **Right** buttons.
 - To set or to clear a playlist, on the remote control, press **OK**.
8. To save the playlist, press the red color button, and then select **Save List**.

Each playlist can support up to 30 files. Playlists are not cleared if you restore factory settings. Files must be manually removed or deleted using the usb_schedulinglist.txt file on the USB.

NETWORK SETTINGS menu

Menu item	Description	Options
-----------	-------------	---------

VIEW NETWORK SETTINGS	View the status of connected networks.	—
NETWORK CONFIGURATION	Select how the display assigns addresses to network resources.	Choose from: <ul style="list-style-type: none"> • DHCP & Auto IP (recommended) • Static IP
STATIC IP CONFIGURATION	If you select Network Settings > Static IP , you can define the IP address, netmask, gateway, DNS1 or the DNS2 for the display.	—
DIGITAL MEDIA RENDERER (DMR)	Receive multimedia files from a connected device over your network.	—
NETWORK NAME	If you are working with an array of display panels, you can rename each display using the on-screen keyboard or the remote control keypad.	—

Input mode

Understand the Input modes for the LCD displays.

VGA resolution

Standard Resolution	Active Resolution		Refresh Rate	Pixel Rate	Aspect Ratio	Stand for Mode
	H Pixels	V Lines				
VGA	640	480	60 Hz	25.175 MHz	4:3	Video Graphic Array
		480	72 Hz	31.5 MHz		
		480	75 Hz	31.5 MHz		
WVGA	720	400	70 Hz	33.75 MHz	16:9	Wide Video Graphic
SVGA	800	600	60 Hz	40 MHz	4:3	Super VGA
		600	75 Hz	49.5 MHz		
XGA	1024	768	60 Hz	65 MHz	4:3	Extended Graphic Array
		768	75 Hz	78.75 MHz		
WXGA	1280	768	60 Hz	79.5 MHz	5:3	Wide XGA
WXGA	1280	800	60 Hz	79.5 MHz	16:10	Wide XGA
SXGA	1280	960	60 Hz	108 MHz	4:3	Super XGA
SXGA	1280	1024	60 Hz	108 MHz	5:4	Super XGA
WXGA	1360	768	60 Hz	85.5 MHz	16:9	Wide XGA
WXGA	1366	768	60 Hz	85.5 MHz	16:9	Wide XGA
UXGA	1600	1200	60 Hz	162 MHz	4:3	Ultra XGA
HD1080	1920	1080	60 Hz	148.5 MHz	16:9	HD1080

SDTV resolution

Standard Resolution	Active Resolution		Refresh Rate	Pixel Rate	Aspect Ratio	Stand for Mode
	H Pixels	V Lines				
480i	720	480	29.97 Hz	13.5 MHz	4:3	Modified NTSC Standard
480p			59.94 Hz	27 MHz		
576i	720	480	25 Hz	13.5 MHz	4:3	Modified PAL Standard
576p			50 Hz	27 MHz		

HDTV resolution

Standard Resolution	Active Resolution		Refresh Rate	Pixel Rate	Aspect Ratio	Stand for Mode
	H Pixels	V Lines				
720p	1280	720	50 Hz	74.25 MHz	16:9	Normally DVB Mode
			60 Hz			
1080i	1920	1080	25 Hz	74.25 MHz	16:9	Normally ATSC Mode
			30 Hz			
1080p	1920	1080	50 Hz	148.5 MHz	16:9	Normally ATSC Mode
			60 Hz			

UHDTV resolution

NOTE: UHD resolution is supported only on video wall arrays. Each individual LCD display panel supports a maximum resolution of 1080p.

Standard Resolution	Active Resolution		Refresh Rate	Pixel Rate	Aspect Ratio	Stand for Mode
	H Pixels	V Lines				
UHDTV Resolution	3840	2160	30	297MHz	16:9	Video wall application.

Mura

Dark spots or patches may occasionally appear on some liquid crystal display (LCD) panels. This is known within the industry as Mura, which is a Japanese term for unevenness, and describes an irregular pattern or area in which uneven screen uniformity appears under certain conditions. Mura is a result of the deterioration of the liquid crystal alignment layer and is most commonly caused by long-term operation under high ambient temperatures. Mura an industry-wide phenomenon and is not repairable. It is not covered by our warranty terms.

Mura has been around since the introduction of LCD technology and with screens getting bigger and in operation 24/7, many displays are running in low light conditions. This adds to the possibility of Mura affecting displays.

How to spot Mura

Mura has many symptoms and multiple causes. Several are listed below:

- Impurities or foreign particles in the crystal matrix
- Uneven distribution of LCD matrix during manufacturing
- Non-uniform luminance distribution of the backlight
- Panel assembly induced stress
- Flaws within the LCD cells

- Thermal induced stress—high temperature operation over long periods of time

How to avoid Mura

Although Christie can not guarantee the complete eradication of Mura every time, the appearance of Mura can be minimized by these methods:

- Lower the backlight brightness
- Use a screen saver
- Reduce the ambient temperature around the unit
- Turn off the display for four or more hours a day

Cleaning the display

The following topics cover cleaning the front panel and cabinet.

Caution when using the display

- Do not place your hands, face or objects close to the ventilation holes of the display. The top of the display is usually hot due to the high temperature of exhaust air being released through the ventilation holes. Burns or personal injuries may occur if any body parts are placed too close. Placing any object near the top of the display could also result in heat related damage to the object as well as the display itself.
- Disconnect all cables before moving the display. Moving the display with its cables attached may damage the cables and therefore cause fire or electric shock.
- Disconnect the power plug from the wall outlet as a safety precaution before performance any cleaning or maintenance.

Front panel cleaning instructions

- The front of the display has been specially treated. Wipe the surface gently using only a cleaning cloth or a soft, lint-free cloth.
- If the surface becomes dirty, soak a soft, lint-free cloth in a mild detergent solution. Wring the cloth to remove excess liquid. Wipe the surface of the display to remove dirt. Use a dry cloth of the same type to dry.
- Do not scratch or touch the surface of the panel with fingers or hard objects.
- Do not use volatile substances such as insert sprays, solvents, and thinners.

Cabinet cleaning instructions

- If the cabinet becomes dirty, wipe the cabinet with a soft, dry cloth.
- If the cabinet is extremely dirty, soak a lint-free cloth in a mild detergent solution. Wring the cloth to remove as much moisture as possible. Wipe the cabinet. Use another dry cloth to wipe over until the surface is dry.
- Do not allow any water or detergent to come into contact with the surface of the display. If water or moisture gets inside the unit, operating problems, or electrical and shock hazards may result.
- Do not scratch or touch the cabinet with fingers or hard objects.
- Do not use volatile substances such as insert sprays, solvents, and thinners on the cabinet.
- Do not place anything made from rubber or PVC near the cabinet for any extended periods of time.

Troubleshooting

The following topics cover common issues and their solutions. If you cannot resolve your issue, contact Christie Technical Support.

No picture appears

No picture is appearing on the display.

Details

Possible root causes include:

- The power cord is disconnected.
- The main power switch on the back of the display is not switched on.
- The selected input has no connection.
- The display is in standby mode.

Resolution

1. Plug in the power cord.
2. Make sure the power is switched on.
3. Connect a signal connection to the display.

Interference occurring or audible noise heard

Interference is appearing on the display or an audible noise is heard.

Details

This issue is caused by surrounding electrical appliances or fluorescent lights.

Resolution

Move the display to another location to see if the interference or noise is reduced.

Color is abnormal

Color on the display is abnormal.

Details

This issue is caused if the signal cable is not connected properly.

Resolution

Make sure that the signal cable is attached firmly to the back of the display.

Picture distorted with abnormal patterns

The picture on the display is distorted with abnormal patterns.

Details

Possible root causes include:

- The signal cable is not connected properly.
- The input signal is beyond the capabilities of the display.

Resolution

1. Make sure the signal cable is attached firmly.
2. Check the video signal source to see if it is beyond the range of the display. Verify its specifications with this display's specification section.

Display image does not fill full size of screen

The display image does not fill the full size of the screen.

Details

Possible root causes include:

- Zoom mode is not set correctly.
- Scan mode may be set incorrectly to underscan.
- If the image exceeds the screen size, Scan mode may need to be set to Underscan.

Resolution

Use the Zoom mode or Custom zoom function in the SCREEN menu to fine tune display geometry and time frequency parameter.

Can hear sound but cannot see a picture

I can hear sound but I cannot see a picture on the display.

Details

Most likely this means an improperly connected source signal cable.

Resolution

Make sure both video inputs and sound inputs are correctly connected.

Can see a picture but cannot hear any sound

I can see a picture on the display but I cannot hear any sound

Details

Possible root causes include:

- Improperly connected source signal cable.
- Volume is turned all the way down.
- The MUTE function is turned on.
- No external speaker is connected.

Resolution

1. Make sure both video inputs and sound inputs are correctly connected.
2. Press **VOL UP** or **VOL DOWN** to hear sound.
3. Switch MUTE off by pressing **MUTE**.
4. Connect external speakers and adjust the volume to a suitable level.

Some picture elements do not light up

Some picture elements on the display do not light up.

Details

Some pixels of the display may not turn on.

Resolution

This display is manufactured using a high level of precision technology; however, sometimes some pixels of the display may not display. This is not a malfunction.

After-images are still seen on display when it is off

After-images are still seen on the display after it is powered off.

Details

An after-image appears when a still picture is displayed for an extended period of time. Examples of still pictures include logos, video games, computer images, and images displayed in 4:3 normal mode.

Resolution

Do not allow a still picture to be displayed for an extended period of time as this can cause a permanent after-image to remain on the display. To minimize still pictures, Christie recommends enabling the screen saver mode on your devices.

Technical specifications

Learn about the product specifications. Due to continuing research, specifications are subject to change without notice.

Display

Learn about the display specifications.

Item	FHD492-XV	FHD552-XV
Screen size (active area)	48.5" (123.2 cm) LCD	54.64" (138.78 cm) LCD
Aspect ratio	16:9	
Number of pixels	1920 (H) x 1080 (V)	
Pixel pitch	0.55926 (H) x 0.55926 (V) [mm]	0.630 (H) x 0.630 (V) [mm]
Displayable colors	1.07B colors	1.07B colors
Brightness (typical)	500 cd/m2	
Contrast ratio (typical)	1300:1	1300:1
Viewing angle	178 degrees	

In/Out terminals

Learn about the In and Out terminals specifications.

Item	FHD492-XV and FHD552-XV	
Speaker output	Internal speakers External speakers	10W (L) + 10W (R) [RMS]/8Ω 1 way 1 speaker system 82 dB/W/M/160 Hz to 13 KHz
Audio output	Phone Jack x 1	0.5V [rms] (normal)/2 channel (L+R)
Audio input	RCA Jack x 2 3.5 mm stereo x 1	0.5V [rms] (normal)/2 channel (L+R)
RS232C	2.5mm phone jack x 2	RS232C in/RS232C out
RJ-45	RJ-45 jack x 1 (8 pin)	10/100 LAN port
HDMI input	HDMI jack x 2 (type A) (18 pin)	Digital RGB: TMDS (video and audio) Maximum: Video—720p, 1080p, 1920 x 1080/60 Hz Audio—48 KHz/ 2 Channel (L+R) Supports LPCM only

Item		FHD492-XV and FHD552-XV
DVI-D input	DVI-D jack	Digital RGB: TMDS (video)
VGA input	D-Sub jack x 1 (15 pin)	Analog RGB: 0.7V [p-p] (75Ω), H/CS/V: TTL (2.2kΩ), SOG: 1V [p-p] (75Ω) Maximum: 720p, 1080p, 1920 x 1080/60 Hz
DVI-I (DVI-D and VGA) output	DVI-I jack x 1 (29 pin)	Digital RGB: TMDS (video) Analog RGB: 0.7V [p-p] (75Ω), H/CS/V: TTL (2.2kΩ), SOG: 1V [p-p] (75Ω) Maximum: 720p, 1080p, 1920 x 1080/60 Hz
Component input	BNC jack x 3	Y: 1V [p-p] (75Ω), Pb: 0.7V [p-p] (75Ω), Pr: 0.7V [p-p] (75Ω) Maximum: 480i, 576i, 480p, 576p, 720p, 1080i, 1080p
Video input	BNC x 1 (share with component_Y)	Composite 1V [p-p] (75Ω)
Displayport input/output	Displayport jack x 2 (20 pin)	Digital RGB: TMDS (video and audio) Maximum: Video—720p, 1080p, 1920 x 1080/60 Hz Audio—48 KHz/ 2 Channel (L+R) Supports LPCM only

General

Learn about the general specifications.

Item	FHD492-XV	FHD552-XV
Power supply	AC 100 to 240V, 50 to 60Hz	
Power consumption (maximum)	240 W (+/- 10)	265 W (+/- 10)
Power consumption (typical)	120 W (+/- 10)	145 W (+/- 10)
Power consumption (Standby & Off)	<0.5W (RS232 in active)	
Dimensions [W x H x D]	1092.78 x 623.0 x 71.1 (@handle)/56.8 (@wall mount) mm	1228.6 x 699.4 x 71.1(@handle)/56.8(@wall mount) mm
Weight	19 kg	24.7 kg
Gross weight	24.9 kg	31.1 kg

Environmental conditions

Learn about the environmental conditions.

Item		FHD492-XV and FHD552-XV
Temperature	Operational	0 to 40°C

	Storage	-20 to 60°C
Humidity	Operational	20 to 80% RH (no condensation)
	Storage	5 to 95% RH (no condensation)
Altitude	Operational	0 to 3,000 m
	Storage/shipment	0 to 9,000 m

Internal speaker

Learn about the internal speaker specifications.

Item	FHD492-XV and FHD552-XV
Type	1 way 1 speaker
Input	10 W (RMS)
Impedance	8Ω
Output sound pressure	82 dB/W/M
Frequency response	160 Hz to 13 KHz

Corporate offices

USA – Cypress
ph: 714-236-8610

Canada – Kitchener
ph: 519-744-8005

Consultant offices

Italy
ph: +39 (0) 2 9902 1161

Worldwide offices

Australia
ph: +61 (0) 7 3624 4888

Brazil
ph: +55 (11) 2548 4753

China (Beijing)
ph: +86 10 6561 0240

China (Shanghai)
ph: +86 21 6278 7708

Eastern Europe and
Russian Federation
ph: +36 (0) 1 47 48 100

France
ph: +33 (0) 1 41 21 44 04

Germany
ph: +49 2161 664540

India
ph: +91 (080) 6708 9999

Japan (Tokyo)
ph: 81 3 3599 7481

Korea (Seoul)
ph: +82 2 702 1601

Republic of South Africa
ph: +27 (0)11 510 0094

Singapore
ph: +65 6877-8737

Spain
ph: +34 91 633 9990

United Arab Emirates
ph: +971 4 3206688

United Kingdom
ph: +44 (0)118 977 8000