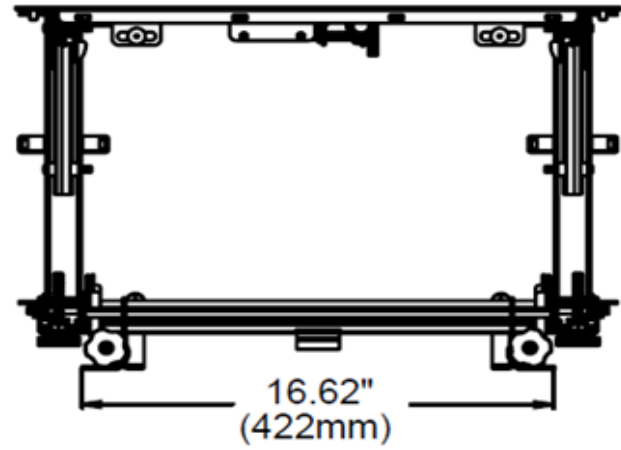
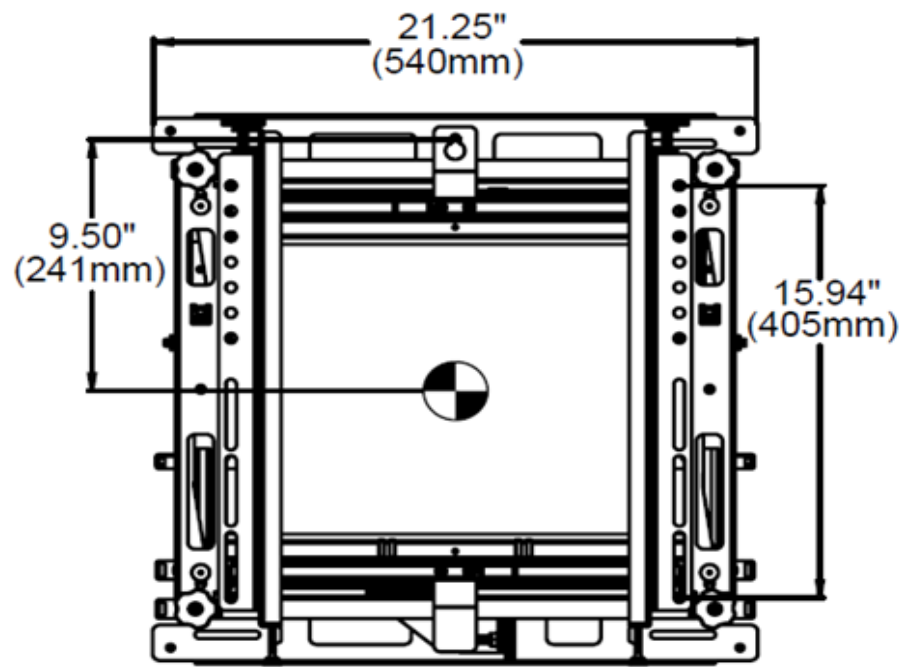


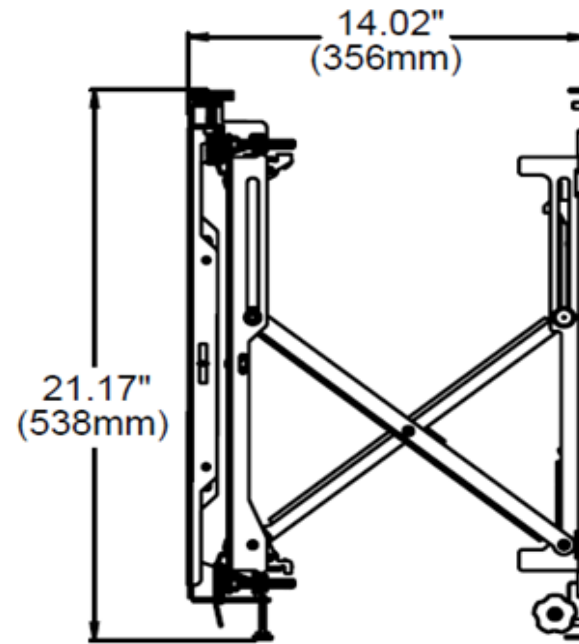
ISSUE HISTORY OF:			
REV	DESCRIPTION OF CHANGE	BY	MM-DD-YY
01	INITIAL RELEASE	G. GAGIC	09-27-17



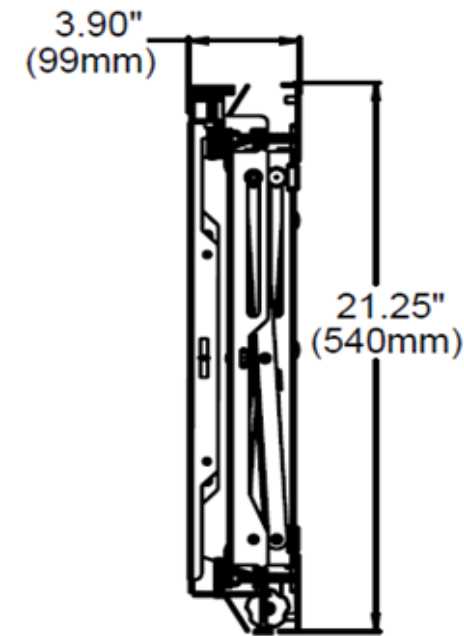
TOP VIEW



FRONT VIEW



SIDE VIEW EXTENDED



SIDE VIEW COLLAPSED

CHRISTIE® 809 WELLINGTON STREET NORTH
KITCHENER, ONTARIO, CANADA
N2G 4Y7

PART DESCRIPTION
MPL15 WALL MOUNT LINE DRAWING

SIZE B	PART NUMBER 020-001382-01	REVISION 01
------------------	------------------------------	----------------

SCALE 1:1	MATERIAL	SHEET 1 OF 1
--------------	----------	--------------

PROPRIETARY Confidential
Christie Digital Systems Canada Inc., Christie Digital Systems USA, Inc., and Affiliates