

Christie Vive Audio BKT-LA3 Bracket

User Manual

020-101251-02

CHRISTIE[®]

NOTICES

COPYRIGHT AND TRADEMARKS

© 2017 Christie Digital Systems USA Inc. All rights reserved.

All brand names and product names are trademarks, registered trademarks or trade names of their respective holders.

GENERAL

Every effort has been made to ensure accuracy, however in some cases changes in the products or availability could occur which may not be reflected in this document. Christie reserves the right to make changes to specifications at any time without notice.

Performance specifications are typical, but may vary depending on conditions beyond Christie's control such as maintenance of the product in proper working conditions. Performance specifications are based on information available at the time of printing. Christie makes no warranty of any kind with regard to this material, including, but not limited to, implied warranties of fitness for a particular purpose. Christie will not be liable for errors contained herein or for incidental or consequential damages in connection with the performance or use of this material. Canadian manufacturing facility is ISO 9001 and 14001 certified.

WARRANTY

Products are warranted under Christie's standard limited warranty, the complete details of which are available by contacting your Christie dealer or Christie. In addition to the other limitations that may be specified in Christie's standard limited warranty and, to the extent relevant or applicable to your product, the warranty does not cover:

- a. Problems or damage occurring during shipment, in either direction.
- b. Projector lamps (See Christie's separate lamp program policy).
- c. Problems or damage caused by use of a projector lamp beyond the recommended lamp life, or use of a lamp other than a Christie lamp supplied by Christie or an authorized distributor of Christie lamps.
- d. Problems or damage caused by combination of a product with non-Christie equipment, such as distribution systems, cameras, DVD players, etc., or use of a product with any non-Christie interface device.
- e. Problems or damage caused by the use of any lamp, replacement part or component purchased or obtained from an unauthorized distributor of Christie lamps, replacement parts or components including, without limitation, any distributor offering Christie lamps, replacement parts or components through the internet (confirmation of authorized distributors may be obtained from Christie).
- f. Problems or damage caused by misuse, improper power source, accident, fire, flood, lightning, earthquake or other natural disaster.
- g. Problems or damage caused by improper installation/alignment, or by equipment modification, if by other than Christie service personnel or a Christie authorized repair service provider.
- h. Problems or damage caused by use of a product on a motion platform or other movable device where such product has not been designed, modified or approved by Christie for such use.
- i. Problems or damage caused by use of a projector in the presence of an oil-based fog machine or laser-based lighting that is unrelated to the projector.
- j. For LCD projectors, the warranty period specified in the warranty applies only where the LCD projector is in "normal use" which means the LCD projector is not used more than 8 hours a day, 5 days a week.
- k. Except where the product is designed for outdoor use, problems or damage caused by use of the product outdoors unless such product is protected from precipitation or other adverse weather or environmental conditions and the ambient temperature is within the recommended ambient temperature set forth in the specifications for such product.
- l. Image retention on LCD flat panels.
- m. Defects caused by normal wear and tear or otherwise due to normal aging of a product.

The warranty does not apply to any product where the serial number has been removed or obliterated. The warranty also does not apply to any product sold by a reseller to an end user outside of the country where the reseller is located unless (i) Christie has an office in the country where the end user is located or (ii) the required international warranty fee has been paid.

The warranty does not obligate Christie to provide any on site warranty service at the product site location.

PREVENTATIVE MAINTENANCE

Preventative maintenance is an important part of the continued and proper operation of your product. Please see the Maintenance section for specific maintenance items as they relate to your product. Failure to perform maintenance as required, and in accordance with the maintenance schedule specified by Christie, will void the warranty.

Environmental


The product is designed and manufactured with high-quality materials and components that can be recycled and reused. This symbol  means that electrical and electronic equipment, at their end-of-life, should be disposed of separately from regular waste. Please dispose of the product appropriately and according to local regulations. In the European Union, there are separate collection systems for used electrical and electronic products. Please help us to conserve the environment we live in!

Table of Contents

Safety Information	4
Technical Support	4
Introduction	5
What's in the box?	5
Installation	6
Install the BKT-LA3 bracket	6
Attach the bracket assemblies to the LA3 speaker	7
Install the cross strap plates	8
Secure the LA3 speaker to the S215 subwoofer	9
Specifications	12
Physical	12
Accessories	12

Safety Information

- Read and follow this information thoroughly before installing a bracket.
- Read these instructions.
- Keep these instructions.
- Two people are required to safely lift and install the bracket.
- Only use attachments or accessories specified by Christie.
- Changes or modifications to the product not expressly approved by the party responsible for compliance could void the user's authority to operate the equipment.
- This bracket must be attached to the speaker and the subwoofer cabinet to be used freestanding.
- All hardware must be torqued to the recommended levels as per this manual.

Technical Support

Technical support for Christie products is available at:

- North and South America: +1-800-221-8025 or Support.Americas@christiedigital.com Europe, Middle East, and Africa: +44 (0) 1189 778111 or Support.EMEA@christiedigital.com
- Asia Pacific: +65 6877-8737 or Support.APAC@christiedigital.com
- Coolux: +49 221 99 512 300 or Support.PandorasBox@christiedigital.com
- Christie Managed Services: +1-800-550-3061 or NOC@christiedigital.com

Introduction

This manual provides bracket installation procedures and product specifications.

The BKT-LA3 bracket is designed to secure an LA3 speaker to an S215 subwoofer when platform mounting.

What's in the box?

This table lists the components shipped with the BKT-LA3 bracket.

Quantity	Description	Part Number
1	Left bracket assembly	145-105107-XX
1	Right bracket assembly	
2	Cross strap plate	
2	M6 35 mm button head bolt	
2	M6 lock washer	
2	M10 60 mm button head bolt	
6	M10 star washer	
4	M10 45 mm button head bolt	
4	M10 hex nut	
8	Rubber end cup	

Installation



Failure to comply with the following could result in death or serious injury.

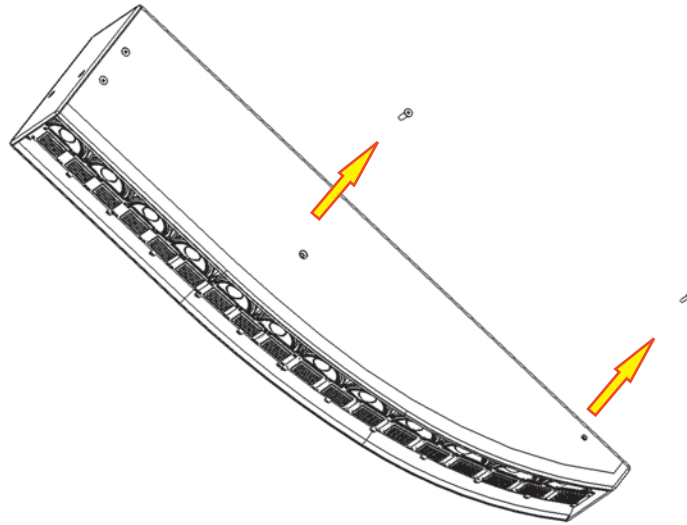
- Before installation, inspect all components for cracks, deformations, corrosion, and missing or damaged parts that could reduce their installation strength.
- This bracket is not designed to be freestanding until it is attached to the speaker and subwoofer cabinet.
- Only use the specified attachments or accessories.

Install the BKT-LA3 bracket



A minimum of two people are required to safely move, lift, and install the LA3 speaker, BKT-LA3/LA3 assembly and the S215 subwoofer. Failure to comply could result in death or serious injury.

1. Place the LA3 speaker on its left side on a flat, stable surface free of debris.
2. Remove the center and bottom bolts from the right side of the LA3 speaker.



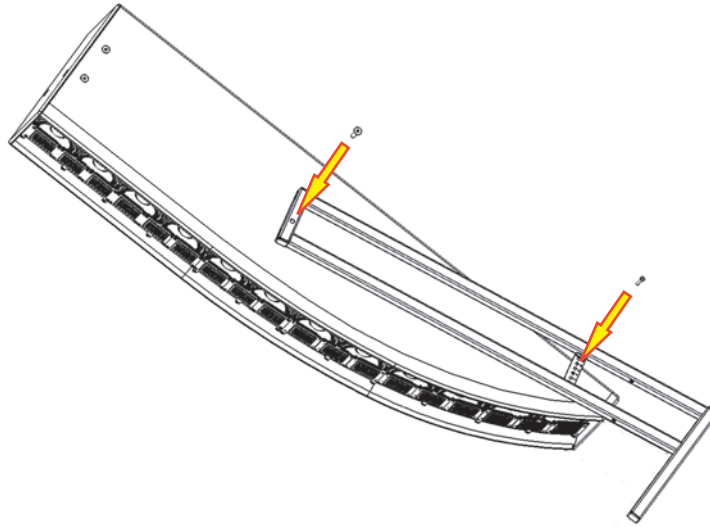
3. Attach the bracket assemblies to the LA3.
See [Attach the bracket assemblies to the LA3 speaker](#) on page 7.
4. Loosely secure the two cross strap plates.
See [Install the cross strap plates](#) on page 8.
5. Secure the LA3 to the S215 subwoofer.
See [Secure the LA3 speaker to the S215 subwoofer](#) on page 9.

Attach the bracket assemblies to the LA3 speaker



Only one person is required to complete this procedure.

1. Place the right bracket assembly on the right side of the LA3 speaker.
2. Align the hole at the top of the right bracket assembly with the bolt hole at the center of the speaker.
3. Secure the bracket in position with one M10 star washer and one M10 60 mm button head bolt to the torque of 2.8 N*m (25 in*lb_f).
4. Align the 0° mark on the pivot brace with the hole on the bottom of the speaker.
5. Secure the bracket in position with one M6 lock washer and one M6 35 mm button head bolt to the torque of 2.0 N*m (18 in*lb_f).



6. Repeat steps 1 to 5 for the left side of the LA3 speaker, using the left bracket assembly.

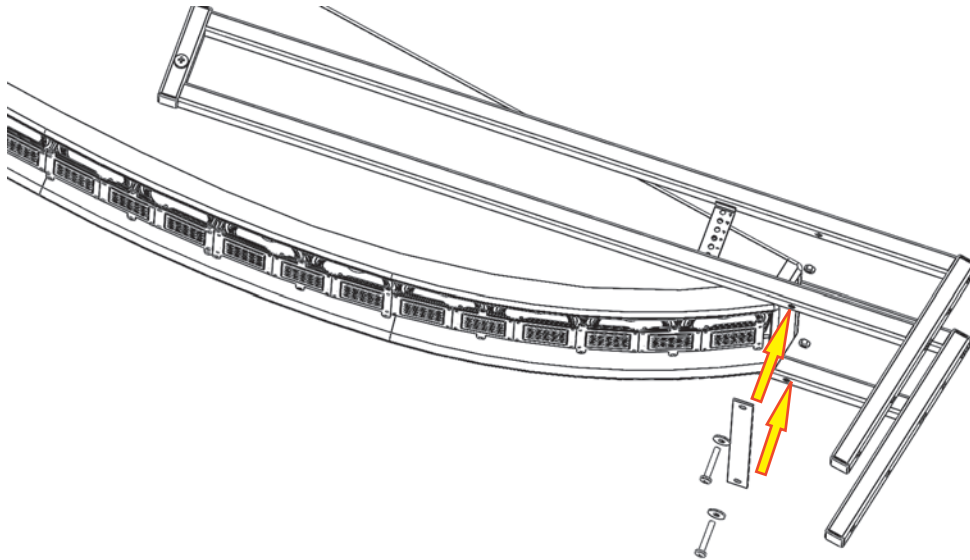
Install the cross strap plates



Only one person is required to complete this procedure.

1. Align a cross strap plate across the front of the right and left bracket assemblies.
2. Install the cross strap plate with one M10 45 mm button head bolt, one M10 star washer, and one M10 hex nut in each of the two holes.

Do not fully torque the bolts, you will secure them in a later step.

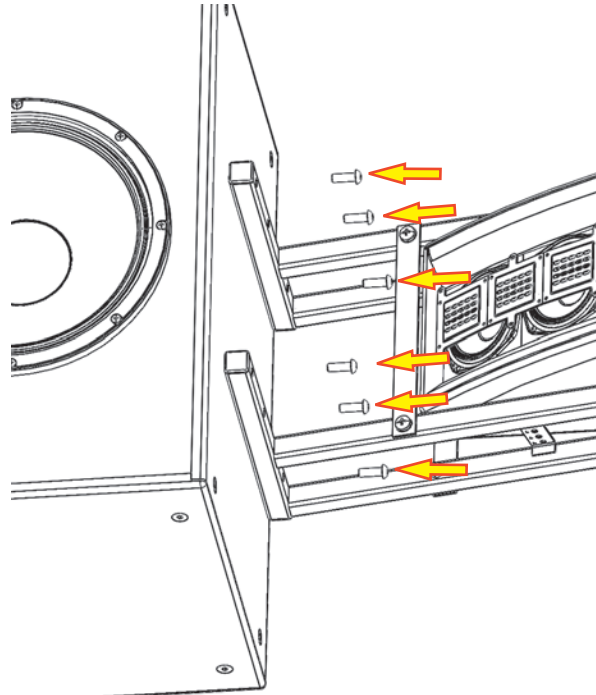


3. Repeat steps 1 and 2 for the second cross strap plate.

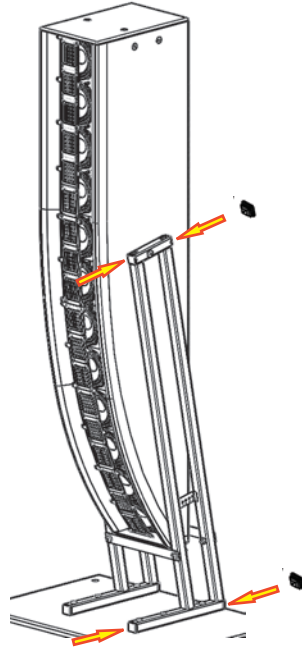
Secure the LA3 speaker to the S215 subwoofer

1. With a minimum of two people, move the S215 subwoofer to the screen channel platform location.
2. Lay the S215 subwoofer on its back.
3. Remove the six pre-installed M10 x 60 mm button head bolts from the top of the S215 subwoofer.
4. Place the LA3 and bracket assembly on its back, with the bracket feet position over the six bolt holes on the top of the S115 subwoofer.

5. Install one M10 x 60 mm button head bolt into each of the six bracket foot holes.
Do not fully torque any of the six bolts until they are aligned and correctly engaged.



6. Tighten the four cross strap plate bolts to the torque of 2.1 N*m (19 in*lb).
7. With a minimum of two people, tilt the subwoofer/bracket/speaker assembly up until the subwoofer is resting on its base and the speaker is vertical.
8. Move the assembly to its final position on the platform.
9. Place a rubber end cup over the end of each square frame tube.



10. Aim the S215 subwoofer and LA3 speaker using a laser distance measurement tool.
11. Secure the S215 subwoofer to the platform with BKS-SUB brackets.
See the [BKS-SUB Bracket User Manual](#) for installation instructions.

Specifications

Physical

Specification	Value
Packaged Dimensions (H x W x D)	127.5 cm x 46.1 cm x 17.9 cm (50.1 in.) x (18 in.) x (7 in.)
Weight (net)	15 kg (33 lb) packaged

Accessories

Part Description	Part Number
Christie Vive Audio LA3 speaker	145-102104-XX
Christie Vive Audio LA3 speaker with grill	145-125109-XX
Christie Vive Audio S215 subwoofer	145-103105-XX
Christie Vive Audio S215 subwoofer with grill	145-127101-XX
BKS-SUB bracket	145-110103-XX

Corporate offices

USA – Cypress
ph: 714-236-8610

Canada – Kitchener
ph: 519-744-8005

Consultant offices

Italy
ph: +39 (0) 2 9902 1161

Worldwide offices

Australia
ph: +61 (0) 7 3624 4888

Brazil
ph: +55 (11) 2548 4753

China (Beijing)
ph: +86 10 6561 0240

China (Shanghai)
ph: +86 21 6278 7708

Eastern Europe and
Russian Federation
ph: +36 (0) 1 47 48 100

France
ph: +33 (0) 1 41 21 44 04

Germany
ph: +49 2161 664540

India
ph: +91 (080) 6708 9999

Japan (Tokyo)
ph: 81 3 3599 7481

Korea (Seoul)
ph: +82 2 702 1601

Republic of South Africa
ph: +27 (0)11 510 0094

Singapore
ph: +65 6877-8737

Spain
ph: +34 91 633 9990

United Arab Emirates
ph: +971 4 3206688

United Kingdom
ph: +44 (0) 118 977 8000