The top half of the page features a complex, abstract background of overlapping, semi-transparent blue triangles and polygons in various shades of blue, creating a dynamic, crystalline effect. This pattern transitions into a clean white background at the bottom.

User Guide
020-001649-01

FHD553-X

CHRISTIE®

NOTICES

COPYRIGHT AND TRADEMARKS

Copyright © 2019 Christie Digital Systems USA Inc. All rights reserved.

All brand names and product names are trademarks, registered trademarks or trade names of their respective holders.

GENERAL

Every effort has been made to ensure accuracy, however in some cases changes in the products or availability could occur which may not be reflected in this document. Christie reserves the right to make changes to specifications at any time without notice. Performance specifications are typical, but may vary depending on conditions beyond Christie's control such as maintenance of the product in proper working conditions. Performance specifications are based on information available at the time of printing. Christie makes no warranty of any kind with regard to this material, including, but not limited to, implied warranties of fitness for a particular purpose. Christie will not be liable for errors contained herein or for incidental or consequential damages in connection with the performance or use of this material. Manufacturing facilities in Canada and China are ISO 9001 certified. Manufacturing facilities in Canada are also ISO 14001 certified.

WARRANTY

Products are warranted under Christie's standard limited warranty, the complete details of which are available by contacting your Christie dealer or Christie. In addition to the other limitations that may be specified in Christie's standard limited warranty and, to the extent relevant or applicable to your product, the warranty does not cover:

- a. Problems or damage occurring during shipment, in either direction.
- b. Problems or damage caused by combination of a product with non-Christie equipment, such as distribution systems, cameras, DVD players, etc., or use of a product with any non-Christie interface device.
- c. Problems or damage caused by misuse, improper power source, accident, fire, flood, lightning, earthquake, or other natural disaster.
- d. Problems or damage caused by improper installation/alignment, or by equipment modification, if by other than Christie service personnel or a Christie authorized repair service provider.
- e. Use of third party product enclosures for environmental protection during outside use must be approved by Christie.
- f. Problems or damage caused by use of a product on a motion platform or other movable device where such product has not been designed, modified or approved by Christie for such use.
- g. Except where the product is designed for outdoor use, problems or damage caused by use of the product outdoors unless such product is protected from precipitation or other adverse weather or environmental conditions and the ambient temperature is within the recommended ambient temperature set forth in the specifications for such product.
- h. Image retention on LCD flat panels.
- i. Defects caused by normal wear and tear or otherwise due to normal aging of a product.

The warranty does not apply to any product where the serial number has been removed or obliterated. The warranty also does not apply to any product sold by a reseller to an end user outside of the country where the reseller is located unless (i) Christie has an office in the country where the end user is located or (ii) the required international warranty fee has been paid.

The warranty does not obligate Christie to provide any on site warranty service at the product site location.

PREVENTATIVE MAINTENANCE

Preventative maintenance is an important part of the continued and proper operation of your product. Failure to perform maintenance as required, and in accordance with the maintenance schedule specified by Christie, will void the warranty.


REGULATORY

The product has been tested and found to comply with the limits for a Class A digital device, pursuant to Part 15 of the FCC Rules. These limits are designed to provide reasonable protection against harmful interference when the product is operated in a commercial environment. The product generates, uses, and can radiate radio frequency energy and, if not installed and used in accordance with the instruction manual, may cause harmful interference to radio communications. Operation of the product in a residential area is likely to cause harmful interference in which case the user will be required to correct the interference at the user's own expense.

CAN ICES-3 (A) / NMB-3 (A)

이 기기는 업무용(A급)으로 전자파적합등록을 한 기기이오니 판매자 또는 사용자는 이점을 주의하시기 바라며, 가정 외의 지역에서 사용하는 것을 목적으로 합니다.

ENVIRONMENTAL

The product is designed and manufactured with high-quality materials and components that can be recycled and reused. This symbol  means that electrical and electronic equipment, at their end-of-life, should be disposed of separately from regular waste. Please dispose of the product appropriately and according to local regulations. In the European Union, there are separate collection systems for used electrical and electronic products. Please help us to conserve the environment we live in!

Content

Package handling.	7
Unpacking the panel.	7
Inspecting the display panel.	8
Handling and mounting guidelines	9
Cleaning the panel.	9
Key features.	9
Parts list.	10
Important safeguards.	10
General safety precautions.	10
AC power precautions.	11
Product documentation.	11
Related documentation.	11
 Controls and functions.	 12
Display at a glance.	12
Input panel.	13
Remote control unit.	14
 Installing a display panel.	 16
Inserting batteries in the remote control.	16
Operating the remote control.	16
Locking or unlocking the remote control.	17
Mounting a display panel.	17
Securing an LCD display panel to an adjacent panel.	17
Connecting signal to the display panel.	18
Connecting to an AC power source.	18
Connecting a display panel to a control system or a computer.	19
Creating an RS232 connection.	19
Creating an Ethernet connection.	19
Creating an IR extender connection.	20
Connecting source components to a display panel.	21
Connecting a DisplayPort source.	21
Connecting an HDMI or a DVI-D source.	21
Connecting a VGA source.	22

Creating a video wall.	22
Connecting video by daisy-chaining display panels.	22
Connecting an RS232 or an Ethernet controller to a video wall in landscape orientation.	23
Connecting an RS232 or an Ethernet controller to a video wall in portrait orientation.	23
Turning on the display panel.	24
Avoiding image retention.	24
Configuring the on-screen display.	25
Setting the on-screen display transparency.	25
Changing the location of the on-screen display.	25
Setting the size of the on-screen display.	25
Rotating the on-screen display.	25
Changing the on-screen display language.	26
Configuring the on-screen display timeout.	26
Changing the behavior of the power LED.	26
Changing the date and time	26
Scheduling when the display is on.	26
Adjusting the image.	28
Changing the image preset.	28
Modifying the brightness.	28
Changing the contrast.	29
Sharpening the image.	29
Changing the saturation	30
Adjusting the hue of the image.	30
Changing the backlight.	31
Changing the gamma settings.	31
Calibrating the image.	31
Setting the color temperature.	31
Selecting the flesh tone.	31
Updating display settings.	33
Configuring the display settings.	33
Changing the aspect ratio.	33
Setting the zoom level.	33
Enabling Auto Scan.	33
Selecting a source.	34
Enabling picture-in-picture mode.	34
Configuring advanced settings.	35

- Turning on auto adjustment. 35
- Correcting the image position (VGA sources). 35
- Updating the clock (VGA sources). 35
- Adjusting the phase (VGA sources). 35
- Changing VGA ADC settings. 36
- Enabling IRFM. 36
- Setting the baud rate. 36
- Choosing a Wake Up From Sleep mode. 36
- Configuring Ethernet settings. 37
- Updating Multi-Display Control settings. 37
- Updating Anti-tearing settings. 39
- Obtaining the temperature and fan status. 39
- Enabling DisplayPort Multi-Stream Transport (MST). 39
- Disabling the OPS Always Powered setting. 40
- Performing a factory reset. 40
- Reading the system status. 40
- Recommended low-light image settings. 40

Troubleshooting. 41

- The display does not turn on. 41
- No picture appears on the display. 41
- The remote control does not work. 42
- The image geometry is incorrect. 42
- The content is jittery or unstable. 42
- The image is too bright or lacks definition. 42
- The image appears washed out. 43
- The image is too dark. 43
- Images from the HDMI source do not display. 43
- Computer images do not display correctly. 43

Specifications. 45

- Physical specifications. 45
 - Overall dimensions. 46
- Power requirements. 46
- Environmental specifications. 47
- Supported timings. 47
- Regulatory. 49
 - Safety. 49
 - Electro-magnetic compatibility. 49

Environmental. 49

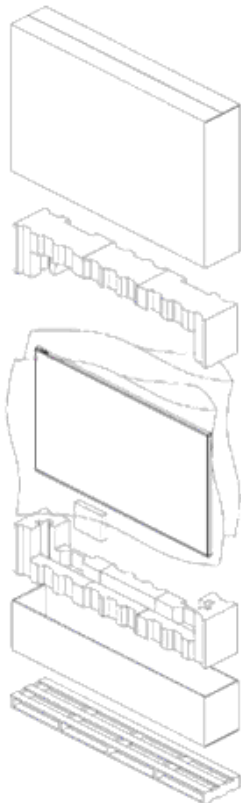
Package handling

Learn how to remove the display panel from the packaging and how to handle the display panel.

Unpacking the panel

Learn how to remove the panel from the packaging.

Each LCD panel is packed inside a box carton. To protect the panel during transportation, additional packing material has been placed within the carton.



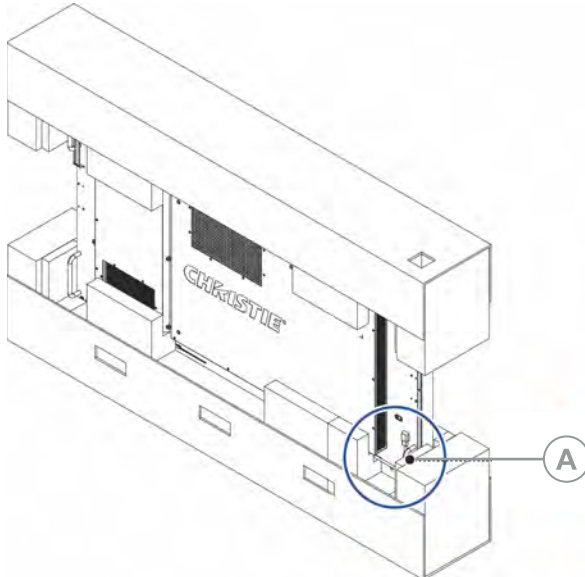
1. Before unpacking, prepare a stable, level, and clean surface near a wall outlet.
2. Set the box in an upright position and pull out the white carton locks.
3. Lift up the top cover carton.
4. Remove the ESD bag before removing the display from the bottom tray carton.
5. Remove any additional packaging, such as protective stickers, from the display panel.

Inspecting the display panel

Conduct an inspection on the display panel and verify the panel functions as expected before unpacking.

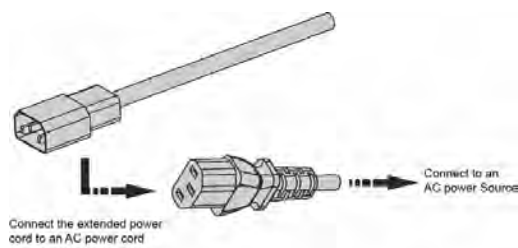
If any damage is identified, or the panel does not function as expected, contact Christie Technical Support.

1. Tear off the sticker for a small opening on the right bottom corner at the back of the display panel (A).

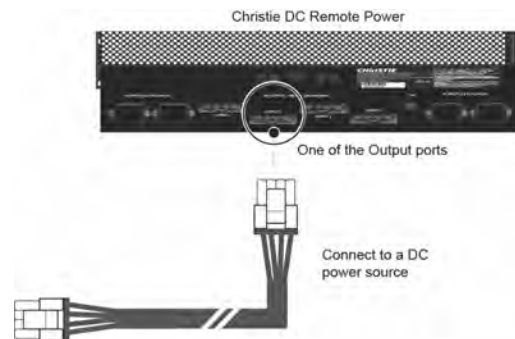


2. Pull the power cable through the packaging.
3. Connect the power cord to a power source and turn on the display panel.

For AC models, pull out the extended power cable and connect it to an AC power cord.



For DC models, pull out the DC power cord.



When connecting to a power source for the first time, the display panel automatically cycles through test patterns for 15 minutes (only).

4. As the display panel is cycling through the test patterns, inspect the display.

Handling and mounting guidelines

Follow these best practices when handling and mounting panels.



Notice. If not avoided, the following could result in property damage.

- When moving the panel, always use the handles. Do not carry the panel by the frame.
- Do not twist, bend, or tilt the panel.
- Do not apply excessive force to the sides of the bezel when mounting the panel or pushing into its locked position.
- Always handle the display panel from the sides or handles.

Follow the following guidelines before removing the panel from the packaging.

- To verify normal operation before handling, power on the panel in the packaging.
- Always use the handles to pick up and carry the panel.
- Leave the panel in the box until the mount is on the wall and you are ready to install the panel.
- To avoid putting undue stress on the panel when mounted, make sure the mount is square, flat, and level.
- Do not rest panels on top of a lower panel.
- When inserting the panel into the wall, pay close attention to adjacent panels.
- Make sure there is a minimum of 0.5 mm between mounted panels to allow for thermal expansion.

Cleaning the panel

Learn how to clean the display panel.

After disconnecting the power cable, wipe contaminated parts and each part of the product screen lightly with a dry and soft cloth.

Do not use a liquid, spray cleaners, or any abrasive cleaners to clean the LCD panel.

Washing with various cleaning agents, brighteners, abrasives, waxes, benzene, alcohol, solvent, surface active agent, may damage the surface of the product.

Key features

Learn the key features of the display panel.

- Full-HD native resolution: 1920x1080 (16:9 native aspect ratio)
- High brightness: up to 500 nits
- 178-degree viewing angle
- DisplayPort 1.2, HDMI 1.4 and DVI inputs with High-bandwidth Digital Content Protection (HDCP)
- DisplayPort 1.2 output to support daisy-chaining UHD content (3840x2160) up to 16 display panels, regardless of which digital input connector is used first
- Video wall resolution up to 3840x2160 (UHD)

- Displays native 4K content at 60 Hz on a 2x2 video wall for sources that support Multi-Stream Transport (MST)



Multi-Stream Transport (MST) requires a video card that supports this feature and DisplayPort 1.2.

- Video signal looping
- Direct LED backlight
- Video Wall Toolbox 2.0 software simplifies the set up of a large video wall, with up to 100 displays, using a Windows PC
- Portrait and Landscape compatible
- OPS slot

Parts list

Your display panel is shipped with the following items. If any items are missing or damaged, contact your dealer.

- Remote control unit and batteries
- DC daisy-chain power cable
- DisplayPort cable—1.8m
- RS485 communications cable—2m
- Joint metal plate kit
- IR extender cable
- Spacer tool—Qty 2 (P/N: 003-006724-XX)

Important safeguards

To prevent personal injury and to protect the device from damage, read and follow these safety precautions.

General safety precautions

Observe these important safety rules to avoid personal injury or damage to the product.



Warning! If not avoided, the following could result in death or serious injury.

- A minimum of two people or appropriately rated lift equipment is required to safely lift, install, or move the product.
- Do not drop the product.
- Do not apply excessive force to the sides of the bezel when mounting the panel or pushing into its locked position.
- Always handle the product on the opposing corners of the bezel to avoid direct contact with the glass.
- TIP HAZARD! When shipping a panel, use the provided packing materials and secure to a pallet.
- When moving the panel, always use the handles. Do not carry the panel by the frame.



Caution! If not avoided, the following could result in minor or moderate injury.

- Do not tilt the product more than ± 15 degrees.
- Use the handles when moving the shipping package.
- Do not twist, bend, or tilt the panel.



Notice. If not avoided, the following could result in property damage.

- Only clean the components with Christie approved products.

AC power precautions

Learn the safety precautions related to AC power.



Caution! If not avoided, the following could result in minor or moderate injury.

- SHOCK HAZARD! Disconnect the product from AC before installing, moving, servicing, cleaning, removing components, or opening any enclosure.

Product documentation

For installation, setup, and user information, see the product documentation available on the Christie website. Read all instructions before using or servicing this product.

1. Access the documentation from the Christie website:
 - Go to this URL: <http://bit.ly/2CqwJJO> or <https://www.christiedigital.com/en-us/digital-signage/products/lcd-flat-panels/ultra-series>
 - Scan the QR code using a QR code reader app on a smartphone or tablet.



2. On the product page, select the model and switch to the **Downloads** tab.

Related documentation

Additional information on this product is available in the following documents.

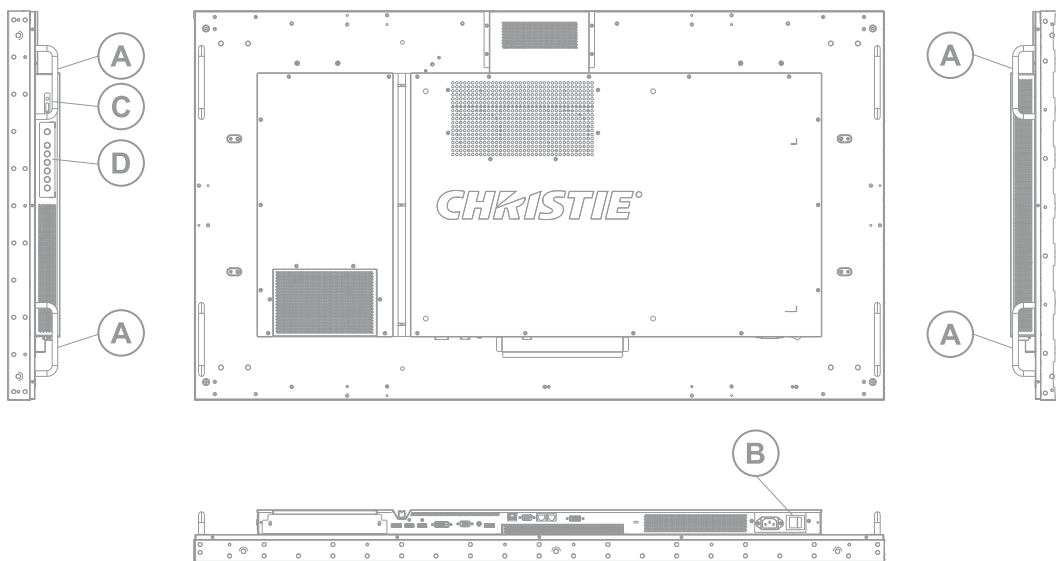
- *FHD553-X Product Safety Guide (P/N: 020-001657-XX)*
- *FHD553-X Serial Commands Guide (P/N: 020-001659-XX)*
- *FHD553-X Service Guide (P/N: 020-001658-XX)*

Controls and functions

Learn about the various parts and functions of the LCD panel.

Display at a glance

Learn about the key display components.

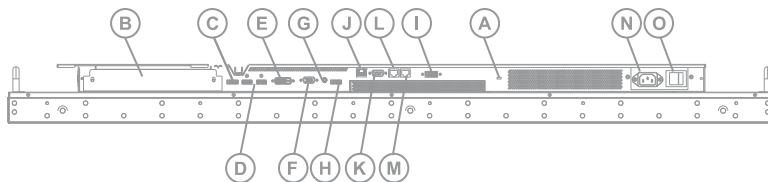


A	Handles —Always use the handles when carrying the display. Do not touch or hold the screen face or panel edges.
B	Main power switch —Connects or disconnects the display panel from the power source.
C	Status LED —Lights orange to indicate that the display is in standby mode; blinks orange if no input signal is present; off if the main power switch is set to Off.
D	<p>Keypad—You can use the keypad instead of the remote control unit to operate the on-screen display (OSD) controls. The keypad operates as follows:</p> <ul style="list-style-type: none"> • On/Standby—Press once to toggle from Standby mode to On mode. Press it again to return to Standby mode. • SOURCE—To select a source, press the SOURCE button repeatedly (with no menus visible on-screen). • Right key—When a menu is visible on-screen, this button operates identically to the right-arrow (or ENTER) button on the display remote control unit. • Left key—When a menu is visible on-screen, this button operates identically to the left-arrow button on the display remote control unit.

- **Up and down keys**—When a menu is visible on-screen, these buttons operate identically to the up and down-arrow buttons on the display remote control unit.
- **MENU/EXIT**—Press this button to access the on-screen display (OSD) controls, or to exit the current menu and return to the previous one.

Input panel

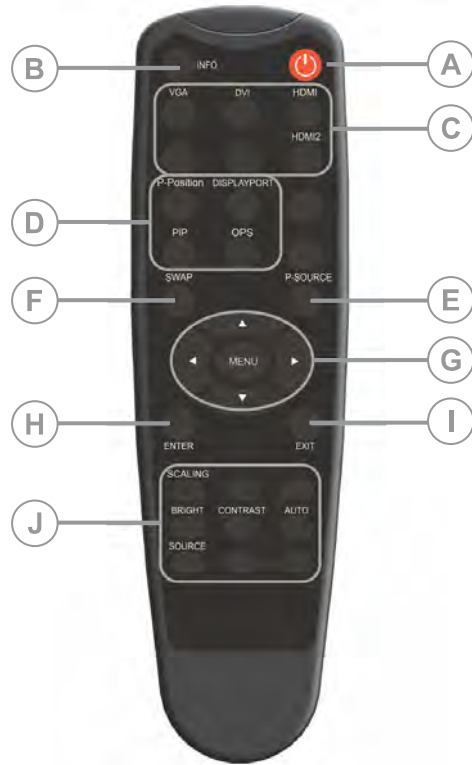
Learn the components of the display input panel.



A	Kensington Lock Slot —For use with a Kensington lock (sold separately) for securing the display panel.
B	OPS slot —An optional OPS slot for connecting an OPS module (sold separately) to display content.
C	DP In —DisplayPort 1.2 and HDCP-compliant digital video input for connecting DisplayPort sources.
D	HDMI 1, 2 —Two HDCP-compliant digital video inputs for connecting HDMI or DVI sources.
E	DVI-D —VESA-standard digital video input for connecting DVI sources.
F	VGA —VESA-standard analog video input for connecting a personal computer or another analog video source.
G	IR In —An IR receiver sensor that sends information from an infrared remote control to another device by receiving and decoding signals.
H	DP Out —DisplayPort 1.2 and HDCP-compliant digital video output for connecting the display panel to the next display panel in a video wall. This output can be used with DP, HDMI or DVI inputs. For more information about creating a video wall, see <i>Creating a video wall</i> (on page 22).
I	DP Out (OPS) —A DisplayPort 1.2 and HDCP-compliant digital video output for sharing content coming from an OPS module.
J	Ethernet —An RJ-45 connector for connecting to a computer or a home theater system over a wired Ethernet network.
K	RS232 In —A female, 9-pin D-sub connector for interfacing with a PC or a home theater automation or control system.
L	RS485 In —A female, 8-pin RJ-45 connector that connects to the next video source. For more information about creating a video wall, see <i>Creating a video wall</i> (on page 22).
M	RS485 Out —A female, 8-pin RJ-45 connector that connects to the next display panel in a video wall. For more information about creating a video wall, see <i>Creating a video wall</i> (on page 22).
N	Power Input (100 to 240 VAC) —Connect the display panel to power here.
O	Power Switch —Turn the display panel on or off.

Remote control unit

Learn the functions of the remote control.



A	Power —Turns the display panel on or off.
B	INFO —Provides source and resolution information.
C	Sources <ul style="list-style-type: none"> • VGA—Selects the VGA source. • DVI—Selects the DVI source. • HDMI 1—Selects the HDMI source 1. • HDMI 2—Selects the HDMI source 2.
D	Display options <ul style="list-style-type: none"> • P-Position—Selects the PIP position. • DISPLAYPORT—Selects the DisplayPort source. • PIP—Turns the PIP feature on or off. • OPS—Selects the OPS source.
E	P-Source —Selects the secondary sub-source.
F	Swap —Swaps the main and PIP source.
G	Navigation buttons

	<ul style="list-style-type: none"> • MENU—Opens the monitors on-screen menu system. If the menu is already open, pressing this button selects the previous submenu. • Arrow Keys—Navigate through submenus and settings.
H	ENTER —Selects highlighted menu choices.
I	EXIT —Closes the menu system.
J	<p>Image adjustments</p> <ul style="list-style-type: none"> • SCALING—Selects each aspect ratio in sequence: Full Screen, Native, Letter Box and 4:3. • BRIGHT—Adjusts the brightness. • CONTRAST—Adjusts the contrast. • AUTO—Automatically adjusts the VGA source. • SOURCE—Selects each source in sequence.

Installing a display panel

Learn how to install and configure the display panel and the remote control.

Christie recommends that the ambient temperature around a display panel or a video wall remain constant and below 40 degrees Celsius (104 degrees Fahrenheit). Ensure the display panel or video wall is kept away from heating and air conditioning vents.

If you are mounting a display panel in an enclosure, ensure sufficient space is left on all sides between it and surrounding objects. Doing so allows heat to disperse, and helps to maintain the proper operating temperature. If you are mounting a display panel close to a wall, or are using an OPS module, active cooling may be required to remove heat and maintain an ideal ambient temperature.

For thin installations or to mount the display close to a wall, remove the handles after hanging the display on the extending wall mount by turning the handles counter-clockwise.

Inserting batteries in the remote control

Learn how to install batteries in the remote control.

Before you insert batteries in the remote control, consider the following:

- Ensure that the battery polarities are correct.
- Do not mix an old battery with a new one or mix different types of batteries together.
- Do not expose batteries to excessive heat such as sunlight or fire.

If you will not use the remote control for a long time, consider removing the batteries to avoid damage from battery leakage.

1. On the back of the remote control, press down on the tab on the cover and pull the cover up.
2. Insert the batteries. Ensure that the polarities correctly match the + and - markings inside the battery compartment.
3. Insert the lower tab of the cover into the opening, and press down on the cover until it clicks in place.

Operating the remote control

Consider the following when using the remote control.

- Verify that nothing is obstructing the infrared beam between the remote control and the IR receiver on the display panel.
- If the effective range of the remote control decreases, or it stops working entirely, replace the existing batteries with new ones.
- If necessary, use an IR extender to move the IR receiver to a more convenient place. For more information, see *Creating an IR extender connection* (on page 20).

- If the infrared remote sensor is exposed to bright sunlight or fluorescent lighting, the remote control might become unresponsive.
- Ambient conditions might impede the operation of the remote control. If this occurs, point the remote control directly at the display panel and repeat the desired operation.

Locking or unlocking the remote control

Lock or unlock the remote control buttons to prevent unauthorized individuals from changing the display settings.

1. On the remote control, press **ENTER** > **ENTER** > **EXIT** > **EXIT** > **ENTER** > **EXIT** to lock the remote control.
2. To unlock the remote control, enter the same sequence of commands.

Mounting a display panel

Use only the approved wall-mount kit designed for your display panel.



Caution! If not avoided, the following could result in minor or moderate injury.

- TIP HAZARD! Center align the product on the stand or mount.

If you decide to wall-mount a display panel, ensure that the wall-mount bracket is installed according to the instructions that are included with it. The wall must be capable of supporting three times the weight of the display panel, or be reinforced.

To ensure the mounting brackets clear any protrusions on the rear of the panel, Christie recommends using spacers with a minimum height of 6.35 mm (.25 in).

Mounting brackets may block access to the connector ports. To ensure the preferred mount allows access to the connectors, refer to the display panel line drawings on www.christiedigital.com for measurements.

At the location where the space between tiles is the tightest, use the spacer tool to ensure there is a minimum of 0.5mm, or the thickness of a credit card, between adjacent LCD display panels.

Securing an LCD display panel to an adjacent panel

Learn how to install brackets securing two LCD display panels together.



After establishing the appropriate gap between tiles and aligning the tiles in the array, the brackets may no longer line up with the screw holes and cannot be used.

1. At the location where the space between tiles is the tightest, use the spacer tool to ensure there is a minimum of 0.5mm, or the thickness of a credit card, between adjacent LCD display panels.
Gaps smaller than 0.5mm may cause cracks in the glass.
2. Align the tiles.
3. Install two of the #2 Phillips screws through the bracket into one of the panels.
4. Install the other two screws through the bracket into the adjacent panel.



Connecting signal to the display panel

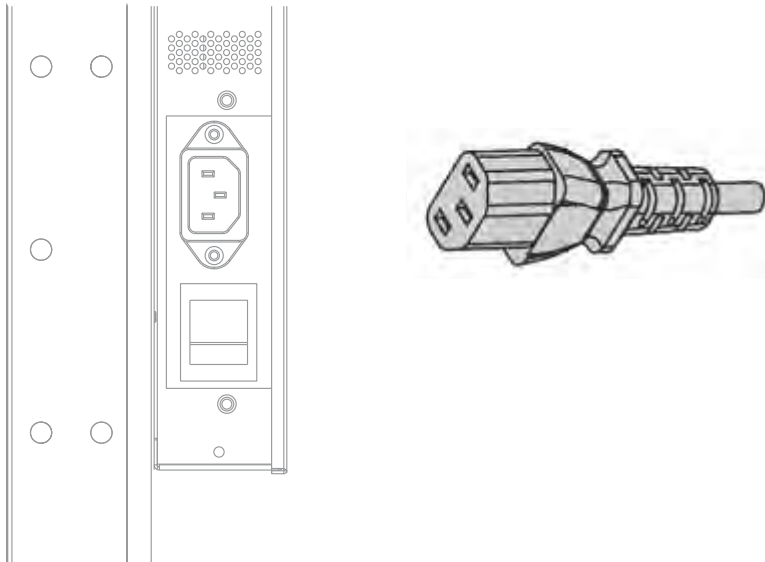
You can connect a display panel to video sources, external controllers, and power sources.

Follow these guidelines when you connect equipment to a display panel.

- Turn off all equipment before making any connections.
- Use the correct signal cables for each source.
- For best performance and to minimize cable clutter, use high-quality cables that are only as long as necessary to connect two devices. For example, avoid using a 20-foot cable if a 6-foot cable is sufficient.
- Ensure that the cables are securely connected. Tighten all thumbscrews on connectors that have them.

Connecting to an AC power source

Use the power cord that comes with the display panel to connect the panel to an external power source, such as an AC wall outlet.



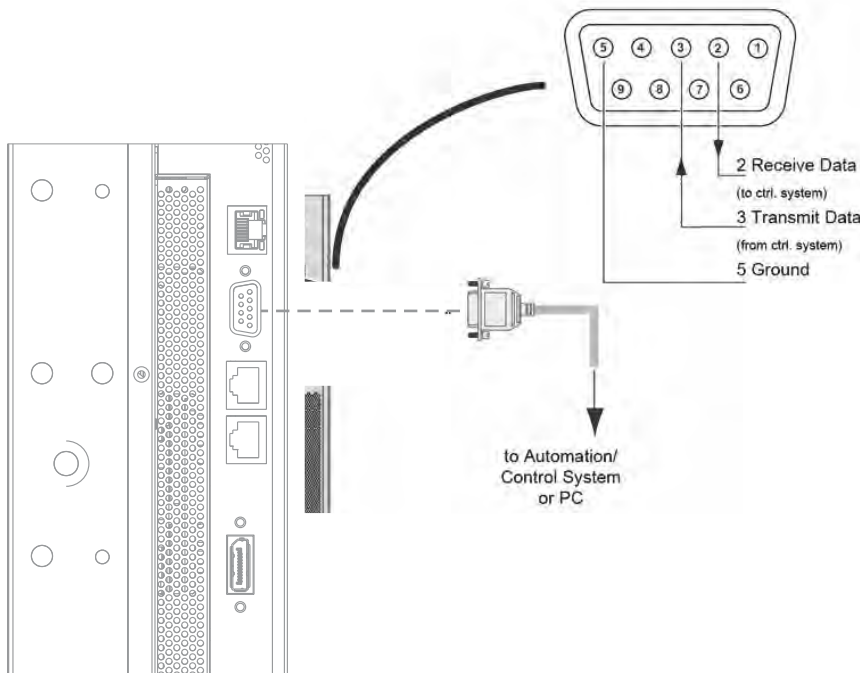
Connecting a display panel to a control system or a computer

Learn how to create an RS232, an Ethernet, or an IR extender connection.

Creating an RS232 connection

A straight-through RS232 cable with a 9-pin male connector is required.

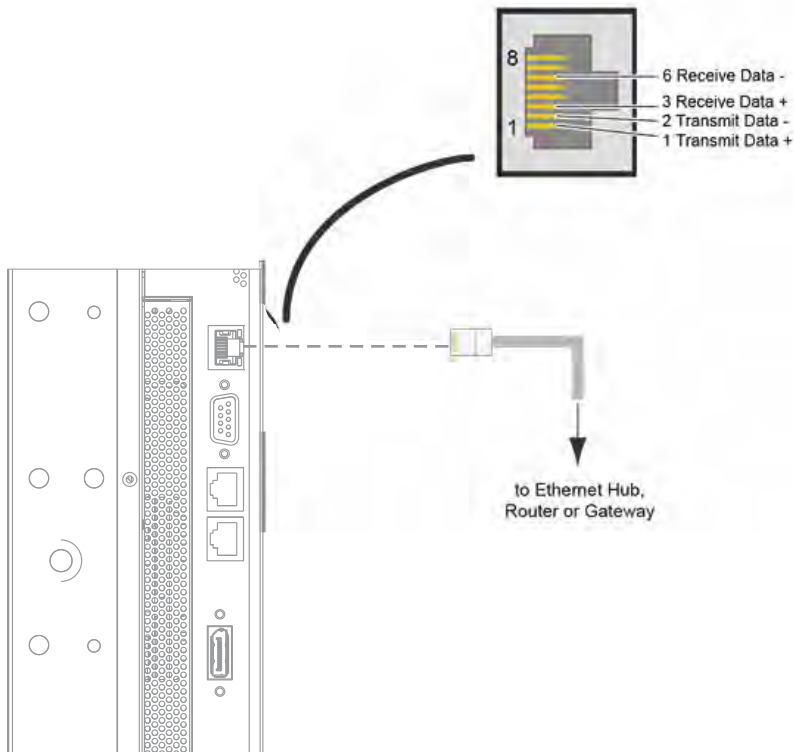
1. Connect the RS232 cable to the RS232 port on the display panel.
2. Connect the RS232 cable to the control computer.



Creating an Ethernet connection

Use a standard Ethernet cable with an RJ45 male connector.

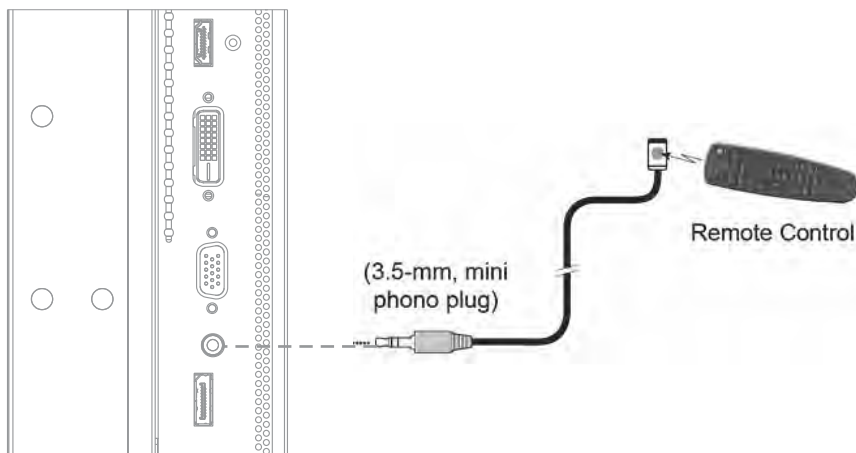
1. Connect the Ethernet cable to the Ethernet port on the display panel.
2. Connect the Ethernet cable to the control computer.



Creating an IR extender connection

Learn how to connect an IR extender cable to a display panel.

1. Connect the IR extender cable to the IR extender input on the display panel.
2. Place the extender cable receiver in a location that can be detected by the remote.



Connecting source components to a display panel

Learn how to connect video sources to a display panel.

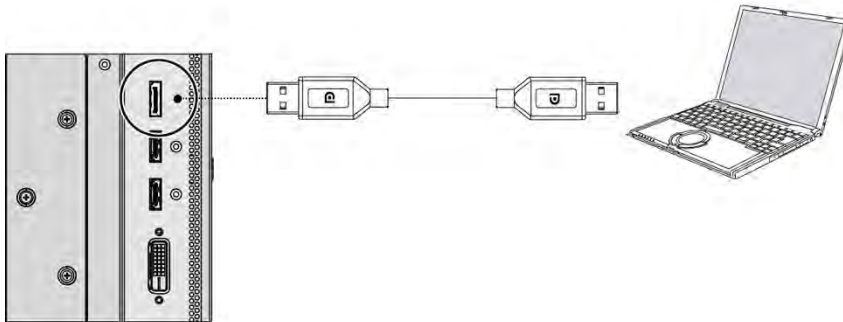
Connecting a DisplayPort source

Learn how to connect a control computer to a display panel using a DisplayPort source.

1. Connect the DisplayPort cable to the DisplayPort in port on the display panel.
2. Connect the DisplayPort cable to the control computer.



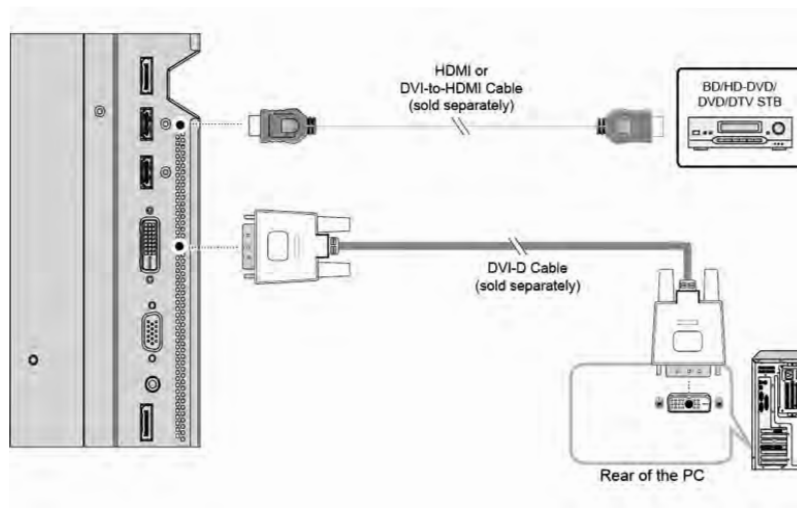
If you are using Multi-Stream Transport (MST), DisplayPort 1.2 input and output can support daisy-chaining up to four display panels.



Connecting an HDMI or a DVI-D source

Learn how to create a connection using an HDMI or a DVI-D source.

1. Do one of the following.
 - Connect an HDMI or a DVI-to-HDMI cable to the HDMI port on the display panel.
 - Connect a DVI-D cable to the DVI-D port on the display panel.
2. Connect the cable to the control computer.



Connecting a VGA source

Learn how to connect a control computer to a display panel using a VGA source. You cannot daisy-chain multiple panels together using a VGA source connection.

1. Connect a VGA cable to the VGA port on the display panel.
2. Connect the cable to the control computer.

Creating a video wall

Learn how to set up an array of display panels in a video wall.

Connecting video by daisy-chaining display panels

If you are using Multi-Display Control commands, all display panels in a video wall should receive the same video signal.

You can do this using an external video splitter, or by daisy-chaining up to 16 display panels together using the DP Out connector.

If you are daisy-chaining the display panels together, consider the following:

- The DP Out connector on a display panel performs the same function as an external video splitter.
- The DP Out connector functions as a repeater for all digital inputs, including DVI In, HDMI 1 In, HDMI 2 In, and DP In.
- The DP Out connector does not support VGA In. If your source is VGA, you cannot daisy-chain display panels together.
- To daisy-chain display panels, connect a digital source to the first panel in the video wall. Subsequent display panels can be connected using the DisplayPort cable using the upstream DP Out and the downstream DP In connections.
- The maximum number of display panels that can be daisy-chained using the DP Out connector is 16.

- If more than 16 display panels are required, daisy-chaining can be used in combination with an external video splitter.

Ensure that the DP Out connector is not confused with the OPS DP Out connector. The DP Out connector is used for daisy-chaining display panels. The OPS DP Out connector is used to connect a second display panel to the installed OPS module (sold separately).

1. To daisy-chain video throughout a video wall using a single video source, connect the DVI, HDMI or DisplayPort video source to the first display panel in the video wall.
2. Connect the remaining display panels using the DP out of the upstream display panel and the DP In of the downstream display panel.

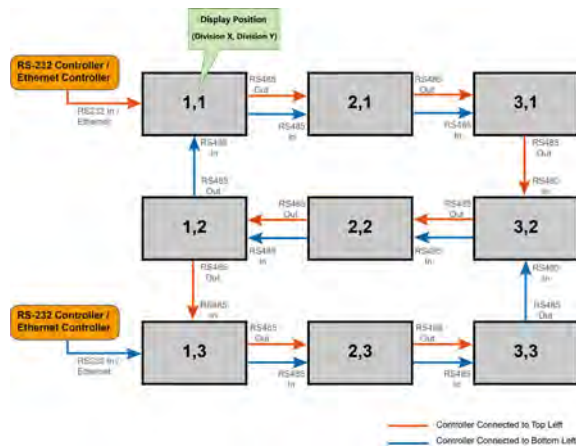
Connecting an RS232 or an Ethernet controller to a video wall in landscape orientation

Complete the following steps to connect an RS232 or an Ethernet controller to a video wall in landscape orientation.

It is not recommended that more than 25 display panels be daisy-chained together using the RS485 input and outputs. If you are working with a video wall that exceeds 25 display panels, consider breaking the video wall into groups of 25 display panels or less, and then use separate RS232 or Ethernet connections to control each group.

To control a video wall using the IR remote control, plug the IR extender into the first display panel in the daisy-chain.

1. Connect the controller to the top-left or bottom-left display panel.
2. Connect the remaining panels as illustrated.



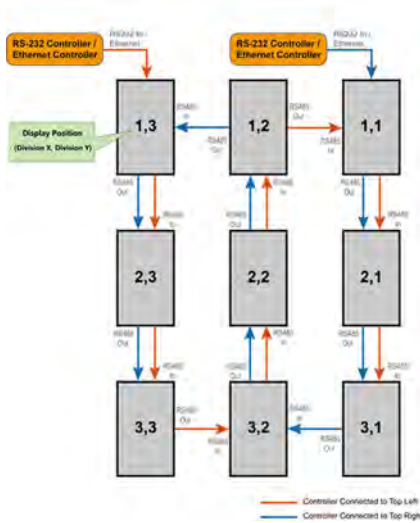
Connecting an RS232 or an Ethernet controller to a video wall in portrait orientation

Complete the following steps to connect an RS232 or an Ethernet controller to a video wall in portrait orientation.

It is not recommended that more than 25 display panels be daisy-chained together using the RS485 input and outputs. If you are working with a video wall that exceeds 25 display panels, consider breaking the array in to groups of 25 display panels or less, and then use separate RS232 or Ethernet connections to control each group.

When you create a video wall in portrait orientation, both the video source and the content must be configured for use in a 9:16 format.

1. Connect the controller to the top-left or the top-right display panel.
2. Connect the remaining panels as illustrated.



Turning on the display panel

Learn how to turn the power on.

1. Turn on all source components.
2. Connect the power cord to the power receptacle on the side of the display panel.
3. Connect the other end of the power cord to a power source.
4. On the side of the display panel, turn on the main power switch.
When the display panel is in Standby mode, the power indicator turns orange.
5. To turn on the display panel, press the power button on the remote control or the keypad.
It might take a few minutes for the display panel to warm up. Once it is warmed up, an image appears on the screen.

Avoiding image retention

Image retention is not covered under warranty. To prolong the life of your display panel, follow these recommendations.

- Avoid static content. Christie recommends displaying moving images whenever possible, and using a screen saver with a moving image.

Configuring the on-screen display

Learn how to configure the on-screen display (OSD).

Setting the on-screen display transparency

Learn how to set the transparency of the on-screen display.

1. Press **MENU** on the remote control or keypad.
2. Select **Basic Settings** > **OSD Transparent**.
3. Use the arrows to adjust the degree of translucence in the menus and message boxes. Zero (0) means that the menus are opaque.

Changing the location of the on-screen display

Learn how to change the location of the on-screen display.

1. Press **MENU** on the remote control or keypad.
2. Select **Basic Settings** > **OSD Location**.
3. Use the arrows to move the OSD menu to the desired location.

Setting the size of the on-screen display

Set the on-screen display size.

1. Press **MENU** on the remote control or keypad.
2. Select **Basic Settings** > **OSD Zoom**.
3. Use the arrows to display a normal sized or enlarged OSD menu.

Rotating the on-screen display

Learn how to rotate the on-screen display.

1. Press **MENU** on the remote control or keypad.
2. Select **Basic Settings** > **OSD Rotation**.
3. Use the arrows to change the orientation of the OSD menu to match that of the display.

Changing the on-screen display language

By default, the on-screen display language is English.

You can change the display language to Simplified Chinese, French, German, Italian, Portuguese, Russian, Spanish, Korean, or Japanese.

1. Press **MENU** on the remote control or keypad.
2. Select **Basic Settings > OSD Language**.
3. Select a language, and then press **Enter**.
The change takes effect immediately.

Configuring the on-screen display timeout

Learn how to configure the on-screen display timeout.

1. Press **MENU** on the remote control or keypad.
2. Select **Basic Settings > OSD Timeout**.
3. Use the arrows to specify how long the menus remain on-screen after selecting them.
Select from 5 to 120 seconds, in five-second increments.

Changing the behavior of the power LED

Learn how to change the behavior of the power LED.

1. Press **MENU** on the remote control or keypad.
2. Select **Basic Settings > Power LED**.
3. Use the arrows to change the behavior of the status indicator LED during standby mode.
 - **On**—The LED lights orange to indicate that the display is in standby mode.
 - **Off**—The LED is always off, regardless of the operational state of the display.

Changing the date and time

Learn how to change the date and time on the display panel.

1. Press **MENU** on the remote control or keypad.
2. Select **Basic Settings > Real Time Clock > Current Time**.
3. Use the arrows to change date and time.

Scheduling when the display is on

Set when the display panel turns on or turns off.

1. Press **MENU** on the remote control or keypad.
2. Select **Basic Settings > Real Time Clock > Timer Mode**.

3. Use the arrows to program the display to turn on and off at specified times of day and days of the week.
 - **User**—Set power-on and power-off times for each day of the week independently.
 - **Same Settings on All**—Set the same power-on and power-off times for every day of the week.
 - **Same Settings on Work Days**—Set the same power-on and power-off times for Monday through Friday.
4. Select **Enable** for each day the schedule is active.

Adjusting the image

Use the controls in the Image Settings Menu to calibrate each display input to achieve optimum picture quality.

Changing the image preset

Learn how to change the image preset.

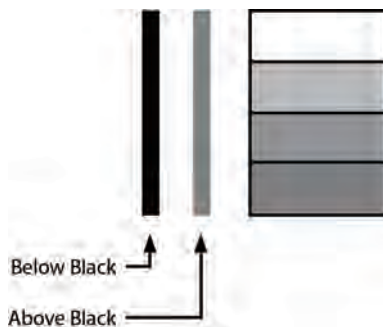
1. Press **MENU** on the remote control or keypad.
2. Select **Image Settings > Scheme**.
3. Select one of four presets (Vivid, Cinema, Game or Sport) depending on the type of program material you are viewing.
These presets automatically adjust the other image settings for optimal image quality.
4. Alternatively, select **User** to adjust Brightness, Contrast and other settings manually.

Modifying the brightness

Brightness and contrast controls are interactive.

A change to one may require a subtle change to the other in order to achieve the optimum setting.

1. Display a PLUGE (Picture Line-Up Generation Equipment) test pattern.
PLUGE patterns vary but generally consist of some combination of black, white and gray areas against a black background. The example below includes two vertical bars and four shaded boxes.



2. Press **MENU** on the remote control or keypad.
3. Select **Image Settings > Brightness**.
4. Use the arrows to adjust the brightness until:
 - The darkest black bars disappear into the background.
 - The dark gray areas are barely visible.
 - The lighter gray areas are clearly visible.

- The white areas are a comfortable level of true white.
- The image contains only black, gray and white (no color).

Changing the contrast

Brightness and contrast controls are interactive.

A change to one may require a subtle change to the other in order to achieve the optimum setting.

1. Display a stepped, gray-bar test pattern.

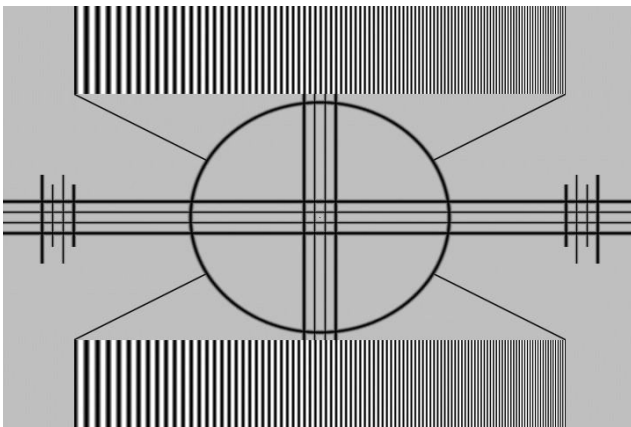


2. Press **MENU** on the remote control or keypad.
3. Select **Image Settings > Contrast**.
4. Use the arrows to adjust the contrast to a point where the white rectangle starts to increase in size.

Sharpening the image

Learn how to sharpen the image on a display panel.

1. Select a test pattern similar to the one shown below.



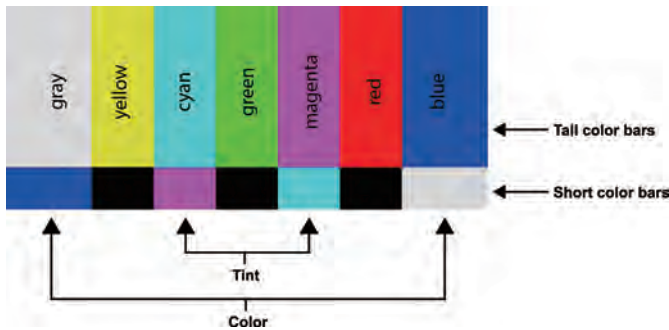
2. Press **MENU** on the remote control or keypad.
3. Select **Image Settings > Sharpness**.
4. Use the arrows to adjust the sharpness. Look for white edges around the transitions from black to gray and differently-sized lines in the sweep patterns at the top and bottom. Lower the sharpness setting to eliminate them.

Changing the saturation

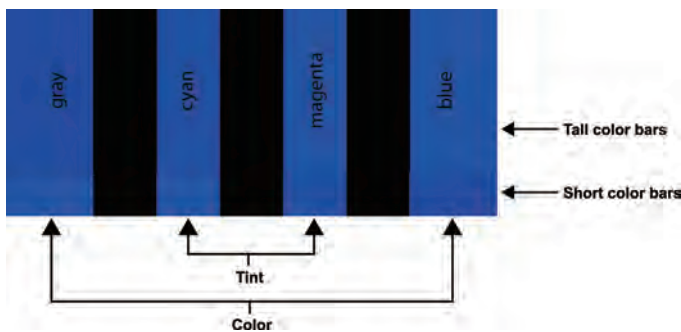
Saturation and hue are interactive.

A change to one may require a subtle change to the other in order to achieve the optimum setting.

1. Select a color bar test pattern similar to the one shown below, and apply a blue filter.



2. Press **MENU** on the remote control or keypad.
3. Select **Image Settings > Saturation**.
4. While looking at the color bar pattern through a blue filter, adjust the color saturation level until the outermost (gray and blue) color bars appear to be a single shade of blue.



Adjusting the hue of the image

The hue (or tint) is the ratio of red to green in the color portion of the image.

When hue is decreased, the image appears red; when it is increased, the image appears green.

Saturation and hue are interactive. A change to one may require a subtle change to the other in order to achieve the optimum setting.

1. Select a color bar test pattern, and apply a blue filter.
2. Press **MENU** on the remote control or keypad.
3. Select **Image Settings > Hue**.
4. Use the arrows to adjust the hue until the cyan and magenta color bars (on either side of the green bar) appear to be a single shade of blue.

Changing the backlight

Learn how to change the backlight setting on a display panel.

1. Press **MENU** on the remote control or keypad.
2. Select **Image Settings > Backlight**.
3. Use the arrows to adjust the apparent brightness of the image.

Changing the gamma settings

Learn how to change the gamma settings on a display panel.

1. Press **MENU** on the remote control or keypad.
2. Select **Image Settings > Color Temperature & Gamma > Gamma**.
3. Use the arrows to select **2.2** (default) or **Off**.

Calibrating the image

Learn how to calibrate the image on a display panel.

1. Press **MENU** on the remote control or keypad.
2. Select **Image Settings > Color Temperature & Gamma > Calibration**.
3. Select the display type.
 - **Single Display**—Use when a single display panel is used by itself, not as part of a video wall. In this mode, the display panel is calibrated to match the selected color temperature very closely.
 - **Multi-Display**—Use when the display panel is used as part of a video wall. In this mode, the display panel is finely calibrated to match adjacent displays.

When display panels are used as part of a video wall, all display panels in the video wall should have Calibration set to Multi-Display for best panel matching.

Setting the color temperature

Learn how to set the color temperature on a display panel.

1. Press **MENU** on the remote control or keypad.
2. Select **Image Settings > Color Temperature & Gamma**.
3. Use the arrows to adjust the overall color temperature, or to adjust the individual gain and offset for red, green, and blue.

Selecting the flesh tone

Learn how to update the flesh tone setting on a display panel.

1. Press **MENU** on the remote control or keypad.

2. Select **Image Settings** > **Flesh Tone**.
3. Use the arrows to adjust the skin color without affecting the rest of the picture.

Updating display settings

Learn how to configure basic and advanced display settings.

Configuring the display settings

Complete these tasks when configuring the display.

Changing the aspect ratio

Some aspect ratios are unavailable or not useful with certain types of source material.

The optimal setting depends on a number of factors, such as:

- The aspect ratio of the source material, such as broadcast or encoded on the playback medium.
- The “display type” (16:9 or 4:3) and output resolution settings at the source component. Most modern DVD/BD players and set-top boxes have such controls.
- Viewer preference (original aspect ratio with “black bars,” or a full-screen presentation with some distortion or cropping).

To change the aspect ratio, complete the following.

1. Press **MENU** on the remote control or keypad.
2. Select **Display Settings > Aspect Ratio**.
For the picture-in-picture settings, select **Display Settings > PIP > Aspect Ratio**
3. Use the arrows to select the **Full Screen** (default), **4:3**, **Letterbox**, or **Native** aspect ratio.

Setting the zoom level

Learn how to update the zoom level setting.

1. Press **MENU** on the remote control or keypad.
2. Select **Display Settings > Zoom**.
3. Use the arrows to select the zoom level.

Enabling Auto Scan

Auto Scan causes the Main or PIP input select functions (using the **SOURCE** button on the remote control unit or keypad, or the **P-Source** button on the remote control unit) to skip over unused inputs, saving time.

1. Press **MENU** on the remote control or keypad.

2. Select **Display Settings > Auto Scan**.
For the picture-in-picture settings, select **Display Settings > PIP > Auto Scan**
3. Use the arrows to select the enable and disable Auto Scan.

Selecting a source

Learn how to select a source.

1. Press **MENU** on the remote control or keypad.
2. Select **Display Settings > Select Source**.
3. Use the arrows to select the source.
Source options include: VGA (default), HDMI1, HDMI2, DVI, DisplayPort, and OPS. The OPS option is only available if an OPS module is installed in the panel.

Enabling picture-in-picture mode

Learn how to turn on picture-in-picture mode.

1. Press **MENU** on the remote control or keypad.
2. Select **Display Settings > PIP Mode**.
3. Use the arrows to enable picture-in-picture (PIP) mode and set the size of the PIP window.

To swap the main and PIP images, press **SWAP** on the remote control.

Selecting a picture-in-picture source

Learn how to select a PIP signal source.

1. Press **MENU** on the remote control or keypad.
2. Select **Display Settings**.
3. Ensure PIP Mode is enabled.
4. Select **Select Source**, and in the **PIP Input Source** table, use the arrow keys to select a source.
If a source cannot be used for PIP mode, a dash (-) appears for that source in the table.

Setting the picture-in-picture position

Learn how to set the picture-in-picture position.

1. Press **MENU** on the remote control or keypad.
2. Select **Display Settings**.
3. Ensure PIP Mode is enabled.
4. Select **PIP > Position** and use the arrows to select the position of the Picture-in-Picture window.
PIP position options include: Bottom Right, Top Left, Top Right or Bottom Left.

Choosing the side-by-side scale

Learn how to select the side-by-side scale.

1. Press **MENU** on the remote control or keypad.

2. Select **Display Settings**.
3. Ensure PIP Mode is enabled.
4. Select **PIP > Side By Side Scale** and use the arrows to select PIP, Main, Zoom In, or Zoom Out.

Configuring advanced settings

Learn how to configure advanced settings on a display panel.

Turning on auto adjustment

Auto adjustment forces the display panel to reacquire and to lock the input signal.

This can be useful if signal quality is marginal.

1. Press **MENU > Advanced Settings** on the remote control or keypad.
2. Select **Auto Adjustment**.
3. Use the arrows to select **Yes**.

Correcting the image position (VGA sources)

Use the controls in the Image Position (VGA source) menu to fine-tune the image position.

1. Press **MENU** on the remote control or keypad.
2. Select **Advanced Settings > Image Position**.
3. Do one of the following.
 - **Left/Right**—To shift the image horizontally, press the arrow keys left or right.
 - **Up/Down**—To shift the image vertically, press the arrow keys up or down.

Updating the clock (VGA sources)

The Clock control sets the frequency of the pixel sampling clock, indicated by the number of incoming pixels per line, so that all pixels generated by a particular source are sampled.

Steady flickering or several soft vertical stripes across the image can indicate poor pixel tracking.

Proper pixel tracking helps to ensure that the image quality is consistent across the screen, that the aspect ratio is maintained and that the pixel phase can be optimized.

1. Press **MENU** on the remote control or keypad.
2. Select **Advanced Settings > Clock**.
3. Adjust the sidebar until the image stabilizes.

Adjusting the phase (VGA sources)

Christie recommends that you adjust the phase after you adjust the clock.

The Phase control adjusts the phase of the pixel sampling clock relative to the incoming signal. Adjust the phase when an image continues to show shimmer or noise after the Clock settings are optimized.

For best results, use a test pattern that is smooth gray with a clear pattern of black and white pixels, or a similar "half on, half off" graphic image.

1. Press **MENU** on the remote control or keypad.
2. Select **Advanced Settings > Phase**.
3. Adjust the sidebar until the image stabilizes and each pixel is clearly defined.

Changing VGA ADC settings

VGA ADC settings calibrate the analog-to-digital converter (ADC) for VGA sources on a display panel.

1. Press **MENU** on the remote control or keypad.
2. Select **Advanced Settings > VGA ADC Settings**.
3. Adjust the settings.

Enabling IRFM

The Image Retention Frame Motion (IRFM) setting creates slight frame motion to help avoid image retention.

1. Press **MENU** on the remote control or keypad.
2. Select **Advanced Settings > IRFM**.
3. Use the arrows to enable this feature.

Setting the baud rate

The baud rate sets the data rate of the RS232 communication link.

1. Press **MENU** on the remote control or keypad.
2. Select **Advanced Settings > Baud Rate**.
3. Use the arrows to select a baud rate.

Choosing a Wake Up From Sleep mode

Choose when a display panel wakes up from power-saving mode.

1. Press **MENU** on the remote control or keypad.
2. Select **Advanced Settings > Wake Up From Sleep**.
3. Use the arrow keys to select one of the following.
 - **VGA Only**—The display panel wakes up from power-saving mode when it receives an active video signal on its VGA (analog) input.
 - **VGA, Digital, RS232**—The display panel wakes up from power-saving mode when it receives an active signal from its VGA, HDMI, DisplayPort or DVI inputs, or when it receives a valid RS232 command.
 - **Never Sleep**—The display panel never enters power-saving mode.

Configuring Ethernet settings

Learn how to configure network settings.

1. Press **MENU** on the remote control or keypad.
2. Select **Advanced Settings > Ethernet Setup**.
3. Use the arrows to update any of the following.
 - **Enable Network**—Select **Yes** to enable the network feature.
 - **Dynamic IP**—Select **Enable** to enable DHCP for dynamic IP address assignment.
 - **Static IP Address**—Sets the static IP address when the Dynamic IP is disabled, or views the static IP address when the Dynamic IP is enabled.
Range: 255.255.255.255 (0.0.0.0)
 - **Subnet Mask**—Sets the subnet mask when the Dynamic IP is disabled, or views the subnet mask when the Dynamic IP is enabled.
Range: 255.255.255.255 (0.0.0.0)
 - **Gateway**—Sets the gateway when the Dynamic IP is disabled, or views the gateway when the Dynamic IP is enabled.
Range: 255.255.255.255 (0.0.0.0)
 - **DNS Address**—Sets the DNS address when the Dynamic IP is disabled, or views the DNS address when the Dynamic IP is enabled.
Range: 255.255.255.255 (0.0.0.0)
 - **Save Network Settings**—If the Dynamic IP is disabled, select **Yes** to save the network configuration.
 - **Email Alert**—Enable or disable any of the following email alerts.
 - **Power Status**—Send an alert if a display panel is turned on or off.
 - **Source Status**—Send an alert if a different source is selected.
 - **Signal Lost**—Send an alert if the input signal is lost.
 - **Load Default Settings**—Loads default network settings.
 - **Refresh**—Refreshes the configuration of the Static IP Address, Subnet Mask, Gateway, and DNS Address.
 - **Device MAC**—Shows the unique address assigned to network interfaces.

Updating Multi-Display Control settings

Use the Multi-Display Control to display content from a single video source over an entire video wall.

The content is automatically scaled and cropped in each display panel to create a single large virtual display spanning the full video wall. The Multi-Display Control also allows you to control other features, such as the removal of the geometric effect of the LCD bezels.

Before using the Multi-Display Control, consider the following.

- The largest video wall size supported by the Multi-Display Control is 10x10 (or 100 display panels). If a video wall exceeds this size, use an external video wall controller.
- If you are using VGA or DVI inputs, the maximum resolution of the video wall is 1920x1080 at 60 Hz.

- If you are using the HDMI or DisplayPort inputs, the maximum resolution of the video wall is 3840 x 2160 at 30 Hz, or 2560 x 1600 at 60 Hz.

When you use the Multi-Display Control, the identical video signal must be distributed to each display panel in a video wall. To do this, daisy-chain the display panels together using the video input and output connectors, or use an external video splitter.

1. Press **MENU** on the remote control or keypad.
2. Select **Advanced Settings > Multi-Display Control**.
3. Use the arrow keys to select any of the following controls.
 - **Monitor ID**—Manually set the Monitor ID of each display panel in a video wall.
 - **Video Wall**—Enable or disable Video Wall mode. When enabled, each display panel in a video wall attempts to match its luminance settings with the adjacent panels it is connected to.
 - **Power On Delay**—Stagger the Power-On sequence so that monitors do not turn on at once, reducing current requirements. Select a value from 0 to 30 seconds for each monitor.

Updating Multi-Display Control settings for a video wall

If you enable the Video Wall setting from the Multi-Display Control settings menu, additional settings are available.

1. Press **MENU** on the remote control or keypad.
2. Select **Advanced Settings > Multi-Display Control**.
3. Use the arrows to turn on the **Video Wall** setting.
4. Update any of the following settings.
 - **Frame**—Enables or disables frame compensation to join the edges of adjacent display panels in a video wall together. This can compensate for the gap between the display panels.
When enabled, moving objects in a video move behind the gap. This allows for better continuity of motion across the video wall and is suitable for moving images. When disabled, joints between the display panels are shown. This is suitable for still images.
 - **Matrix X**—Specifies the number of columns in a video wall.
 - **Matrix Y**—Specifies the number of rows in a video wall.
 - **Division X**—Specifies the horizontal position (column) of a display panel in a video wall.
 - **Division Y**—Specifies the vertical position (row) of a display panel in a video wall.
 - **IR Mode**—If the remote control should control all display panels in a video wall, select **All**. If the remote control should control one display panel at a time, select **Target**. To use this option, RS485 cables must be connected to the display panel.
 - **Recipient ID**—Selects which display panel is controlled by the remote control. To use this feature, set the IR Mode to **Target**. RS485 cables must be connected to the display panel.
 - **Auto Video Wall Setup**—Automatically sets the monitor IDs for all display panels in a video wall. To use this option, RS485 cables must be connected to the display panel.

Updating Anti-tearing settings

If displaying fast-moving video, the Anti-tearing feature can eliminate tearing artifacts between adjacent rows of display panels in an array.

When enabling or disabling the Anti-tearing feature, or if changing the Anti-tearing settings, you must power cycle the display panels in the array for the changes to take effect.

After the power cycle is complete, to achieve color matching in the array, you must readjust some image settings on the display panels. To learn how to adjust image settings, see the user manual.

1. On the remote control or keypad, press **MENU**.
2. Select **Advanced Settings > Multi-Display Control**.
3. Use the arrows to turn on the **Video Wall** setting.
4. Select any of the following options.
 - **Off**—Produces good results for most content.
 - **Auto**—Automatically adjusts LCD scanning to eliminate tearing between rows in an array displaying fast-moving video.
 - **Odd**—Manually selects the best scan behavior for the odd rows of display panels in an array, for example, rows 1, 3, or 5.
 - **Even**—Manually selects the best scan behavior for the even rows of display panels in an array, for example, rows 2, 4, or 6.
5. Turn off the display panels in the array, and wait at least five seconds.
6. For changes to take effect, after at least 5 seconds, turn on the display panels in the array.

Obtaining the temperature and fan status

Learn how to obtain information about the health of a display panel such as the internal operating temperature, the cooling fan speed, or the highest temperature reached.

1. Press **MENU** on the remote control or keypad.
2. Select **Advanced Settings > Temperature & Fan Status**.

Enabling DisplayPort Multi-Stream Transport (MST)

When you enable DisplayPort MST, display panels in a video wall that are connected using DisplayPort 1.2 are recognized by the control computer as independent display panels instead of a single display.

Before enabling DisplayPort MST, consider the following.

- The **Video Wall** setting in the **Multi-Display Control** menu should be set to **Off**.
 - The graphics adapter and operating system on the control computer must support MST.
 - MST mode requires high-quality cables that are DisplayPort certified.
 - Depending on the graphics adapter, up to 4 display panels can be daisy-chained in MST mode.
 - In MST mode, the recommended resolution setting for each display panel is 1920x1080. The maximum resolution of a 2x2 video wall is 3840x2160 at 60 Hz.
1. Press **MENU** on the remote control or keypad.
 2. Select **Advanced Settings > DisplayPort MST**.
 3. Use the arrows to enable DisplayPort MST.

Disabling the OPS Always Powered setting

Learn how to turn off the OPS Always Powered setting.

1. Press **MENU** on the remote control or keypad.
2. Select **Advanced Settings > OPS Always Powered > No**.

Performing a factory reset

Learn how to restore all display settings, including image settings, to their factory defaults.

This action is not reversible.

1. Press **MENU** on the remote control or keypad.
2. Select **Advanced Settings > Factory Reset**.
3. Use the arrow keys to select **Yes**.

Reading the system status

You can find the system status on the main menu of the display panel.

1. Press **MENU** on the remote control or keypad.
2. Select **System Status**.

The System Status menu is read-only and provides the following information about the display panel.

- The resolution and refresh rate of both main and picture-in-picture sources.
- The number of hours the display has been in operation.
- The current firmware version.

Recommended low-light image settings

If a display panel is set up in an area with low ambient light levels, such as a broadcast studio or a museum, the display panel should be set to a low luminance to blend in with the environment or to match the color temperature of studio lighting.

To attain the highest quality image, Christie recommends the following image settings for low-light environments.

Image setting	Recommended range
Backlight	25% or higher
Contrast	40% or higher
Color Temperature	5000K or higher

Troubleshooting

Learn about common issues and their solutions.

The FHD553-X display panels do not require any routine maintenance. There are no user-serviceable or replaceable parts. Do not attempt to repair or replace any system component yourself unless you are a qualified, factory trained-technician, as doing so voids the product warranty.

The display does not turn on

No video is displayed on the panel.

Details

Possible causes for this issue include:

- The display is not plugged in or the power outlet is not active.
- The main power switch is off.
- The remote control batteries have run out.

Resolution

- Ensure that the display is plugged in and that the power outlet is active.
- Set the main power switch to the on position.
- Replace the batteries.

No picture appears on the display

The display is on and the menus appear, but there is no picture on the panel.

Details

Possible causes for this issue include:

- Incorrect source selection.
- Source component is not turned on.
- Source component is connected incorrectly or not at all.

Resolution

- Select the correct source.
- Turn on the source component.
- Check connections from the source component to the display.

The remote control does not work

Pressing buttons on the remote control does not affect the display.

Details

Possible causes for this issue include:

- The remote control batteries have run out.
- The buttons are locked.
- IR extender is not connected.

Resolution

- Replace the batteries.
- Unlock the buttons by pressing **ENTER, ENTER, EXIT, EXIT, ENTER** and **EXIT**, in sequence.
- Verify that the IR extender cable is correctly connected.

The image geometry is incorrect

The image is displayed with an incorrect aspect ratio.

Resolution

Select a different aspect ratio.

The content is jittery or unstable

The content on the display panel is poor-quality or the panel is improperly connected to the source.

In some cases, the horizontal or vertical scan frequency of the input signal may be out of range for the display panel.

Resolution

- Verify that the source is properly connected.
- Correct the quality of the content.

The image is too bright or lacks definition

The image contrast is set too high and the bright areas of the image have no definition.

Resolution

Decrease the contrast setting.

The image appears washed out

The dark areas of the displayed image are too bright.

Resolution

Decrease the brightness settings.

The image is too dark

The image appears too dark when the brightness or backlight are set too low.

Resolution

Increase the brightness or backlight settings.

Images from the HDMI source do not display

Source video over HDMI does not display on the panel.

Details

Possible causes for this issue include:

- The resolution and frequency of the video card in the computer are not compatible with the display.
- HDMI cable from source to display is either defective or too long.

Resolution

- Select a compatible resolution and vertical frequency.
- Try a known-good and/or shorter HDMI cable.

Computer images do not display correctly

Images that originate from a computer source do not display correctly on the panel.

Details

Possible causes for this issue include:

- The resolution and frequency of the video card in the computer are not compatible with the display.
- Clock and Phase settings need adjustment.

Resolution

- Select a compatible resolution and vertical frequency.
- Adjust Clock and Phase settings.

Specifications

Learn about the product specifications. Due to continuing research, specifications are subject to change without notice.

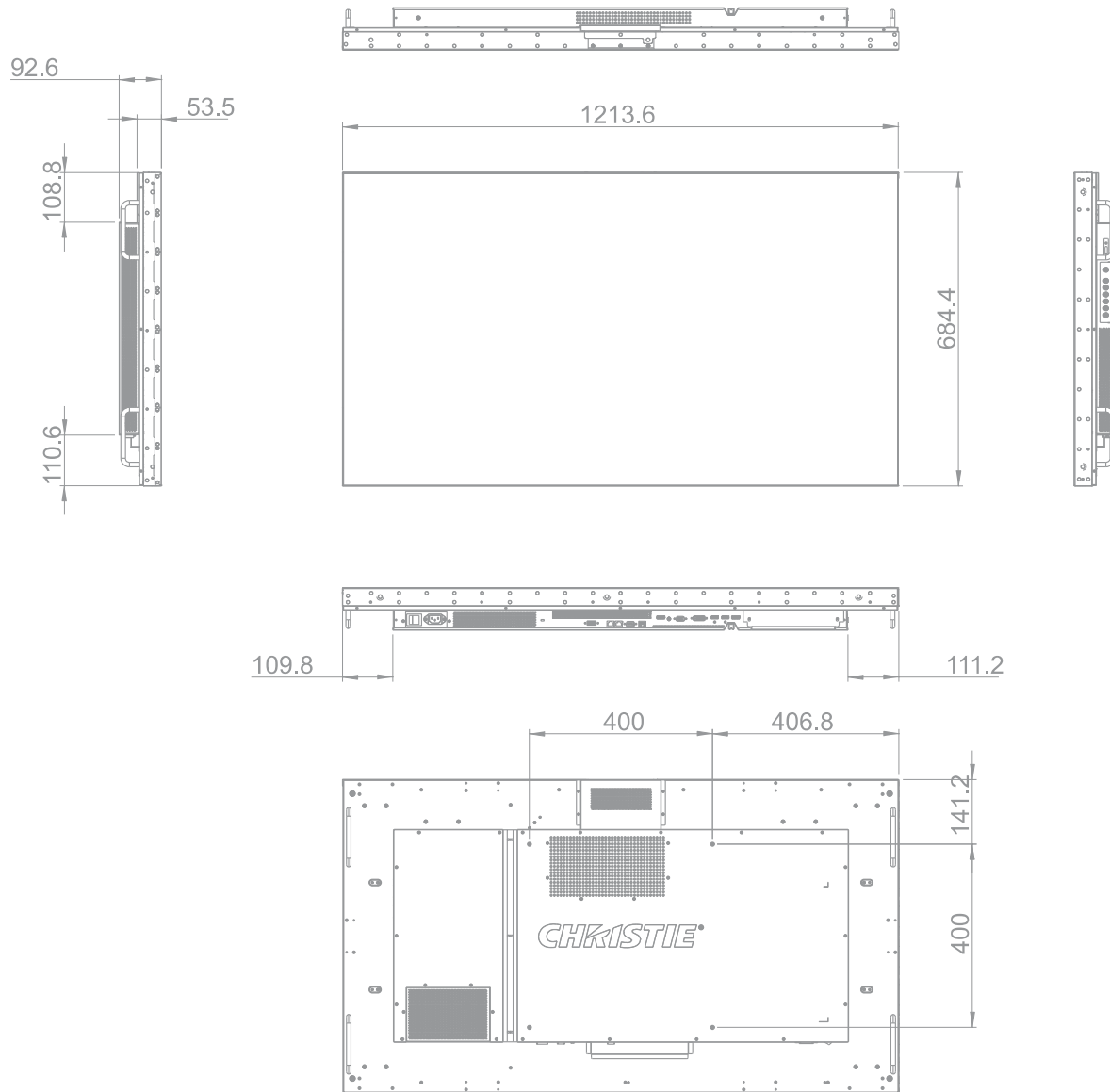
Physical specifications

Learn the physical specifications for the FHD553-X panel.

Description	Details
Dimensions (W x H x D)	1215 mm x 684.3 mm x 92.6 mm
Weight	Net: 25.7 kg (w/o stand) / 56.66 lbs; Gross: 34.3 kg / 75.62 lbs
Wall mount	400 mm x 400 mm VESA
Bezel width	2.4 mm (top/left); 1.3 mm (bottom/right)
Image to image	2.3 mm (typical)
Brightness	500 cd/m ²
Contrast ratio	1300:1 typical
Viewing angle	H: 178° / V: 178°
Response time	8 ms typical
Supported colors	1.07 billion
Display resolution	1920 x 1080 (16:9)
Display frame rate	60 Hz
Rotation	Landscape / Portrait
Control	RS232C, Ethernet, built-in keypad, IR remote control
OSD Language	English, Simplified Chinese, French, German, Italian, Portuguese, Russian, Spanish, Korean, Japanese
Picture options	PIP, PBP (side-by-side)
Source auto detect	Yes
Key lock	Yes
Horizontal / Vertical frequency	31 - 91 KHz / 56 - 85 Hz
Input resolution	1920 x 1080 @ 60 Hz (Analog); 1920 x 1080 @ 60 Hz (Digital)
Connectors	DisplayPort (In/Out) / HDMI x 2 / DVI-D In / VGA In / IR Receiver / Ethernet / OPS DisplayPort Out / OPS slot
Communication ports	RS232C In, RS485 (In/Out)

Overall dimensions

All dimensions are in millimeters.



Power requirements

Learn the power requirements for the FHD553-X panel.

Power consumption specifications do not include the power consumption of a control computer or a device connected to the OPS module of the display panel.

Description	Details
Power supply	AC 100V - 240V (50/60 Hz), 3.0 Amps, maximum

Description	Details
Power consumption (normal operation)	195W (typical), 220W (maximum, non-OPS)
Power consumption (standby mode)	0.5W

Environmental specifications

Learn the environmental specifications for the FHD553-X panel.

Description	Details
Operating temperature	5°C - 35°C, 90% RH
Storage temperature	-20°C - 60°C, 75% RH
Heat output	648 BTU/hr (typical), 751 BTU/hr (maximum, non-OPS)

Supported timings

Learn the supported timings for FHD553-X panels.

○ = Compliant timing. ■ = Compliant timing for a video wall.

Timing	FH (kHz)	FV (Hz)	Dot clock (MHz)	HDMI	VGA	DVI	DisplayPort
VGA 640x480	31.469	59.94	25.175	○	○	○	○
	37.861	72.809	31.5	○	○	○	○
	37.5	75	31.5	○	○	○	○
	43.269	85.008	36	○	○	○	○
SVGA 800x600	35.156	56.25	36	○	○	○	○
	37.879	60.317	40	○■	○	○■	○■
	48.077	72.188	50	○	○	○	○
	46.875	75	49.5	○	○	○	○
	53.674	85.06	56.25	○	○	○	○
XGA 1024x768	48.363	60.004	65	○■	○	○■	○■
	56.476	70.069	75	○	○	○	○
	60.023	75.029	78.75	○	○	○	○
	68.677	84.997	94.5	○	○	○	○
WXGA 1360x768	47.712	60.015	85.5	○■	○	○■	○■
VESA 1280x720	44.444	59.98	64	○■	○	○■	○■
	44.772	59.86	74.5	○■	○	○■	○■
	56.456	74.78	95.75	○	○	○	○

Timing	FH (kHz)	FV (Hz)	Dot clock (MHz)	HDMI	VGA	DVI	DisplayPort
VESA 1280x768	47.776	59.87	79.5	○■	○	○■	○■
	47.396	59.995	68.25	○■	○	○■	○■
	68.633	84.837	117.5	○	○	○	○
VESA 1280x800	49.306	59.91	71	○■	○	○■	○■
	49.702	59.81	83	○■	○	○■	○■
SXGA 1152x864	67.5	75	108	○	○	○	○
SXGA 1280x1024	63.981	60.02	108	○	○	○	○
	79.976	75.025	135	○	○	○	○
	91.146	85.024	157.5	○	○	○	○
1440x900	55.469	59.901	88.75	○	○	○	○
	55.935	59.88	106.5	○	○	○	○
WSXGA + 1680x1050	64.674	59.883	119	○■	○	○■	○■
	65.29	59.954	146.25	○■	○	○■	○■
VESA UXGA 1600x1200	75	60	162	○	○	○	○
VESA 1920x1080	66.587	59.93	138.5	○■	○	○■	○■
VESA WUXA 1920x1200	74.038	59.95	154	○	○	○	○■
EDTV 480p	31.5	60	27.03	○	-	○	○
EDTV 576p	31.25	50	27	○	-	○	○
HDTV 720p 1280x720	37.5	50	74.25	○	-	○	○
	44.995	59.94	74.176	○■	-	○■	○■
	45	60	74.25	○■	-	○■	○■
HDTV 1080p 1920x1080	27	24	74.25	○	-	○	○
	56.25	50	148.5	○■	-	○■	○■
	67.433	59.94	148.352	○■	-	○■	○■
	67.5	60	148.5	○■	○	○■	○■
4K2K 3840x2160	54	24	297	○■			○■
	56.25	25	297	○■			○■
	67.5	30	297	○■			○■

Regulatory

This product conforms to the latest regulations and standards related to product safety, environmental, and electromagnetic compatibility (EMC) requirements.

Safety

- CAN/CSA C22.2 No. 60950-1-07 – Information Technology Equipment – Safety – Part 1: General Requirements
- CAN/CSA C22.2 No. 60950-1
- ANSI/UL 60950-1 – Information Technology Equipment – Safety – Part 1: General Requirements
- IEC 60950-1 IEC/EN 60950-1 – Information Technology Equipment – Safety – Part 1: General Requirements

Electro-magnetic compatibility

Emissions

- FCC CFR47, Part 15, Subpart B, Class A – Unintentional Radiators
- ICES-003 (A), ISSUE 6, Class A
- CISPR 32/EN 55032, Class A
- IEC 61000-3-2/EN61000-3-2: Limits for Harmonic Current Emissions
- IEC 61000-3-3/EN61000-3-3: Limitations of Voltage Changes, Voltage Fluctuations, and Flicker

Immunity

- IEC 61000-3-3/EN61000-3-3
- IEC/EN61000
- IEC 61000-4-2/EN61000-4-2
- IEC 61000-4-3/EN61000-4-3
- IEC 61000-4-4/EN61000-4-4
- IEC 61000-4-5/EN61000-4-5
- IEC 61000-4-6/EN61000-4-6
- IEC 61000-4-11/EN61000-4-11

Environmental

EU Directive (2011/65/EU) on the restriction of the uses of certain hazardous substances (RoHS) in electrical and electronic equipment and the applicable official amendment(s).

EU Regulation (EC) No. 1907/2006 on the registration, evaluation, authorization and restriction of chemicals (REACH) and the applicable official amendment(s).

EU Directive (2012/19/EU) on waste and electrical and electronic equipment (WEEE) and the applicable official amendment(s).

China Ministry of Information Industry (along with 7 other Government Agencies) Order No.32 (01/2016) on the control of pollution caused by electronic information products, hazardous substances concentration limits (GB/T 26572 - 2011), and the applicable product marking requirement (SJ/T 11364 - 2014).

Corporate offices

Christie Digital Systems USA, Inc.
Cypress
ph: 714 236 8610

Christie Digital Systems Canada Inc.
Kitchener
ph: 519 744 8005

Worldwide offices

Australia
ph: +61 (0) 7 3624 4888

Brazil
ph: +55 (11) 2548 4753

China (Beijing)
ph: +86 10 6561 0240

China (Shanghai)
ph: +86 21 6278 7708

France
ph: +33 (0) 1 41 21 44 04

Germany
ph: +49 2161 664540

India
ph: +91 (080) 6708 9999

Japan (Tokyo)
ph: 81 3 3599 7481

Korea (Seoul)
ph: +82 2 702 1601

Mexico
ph: +52 55 4744 1790

Republic of South Africa
ph: +27 (0)11 510 0094

Russian Federation
and Eastern Europe
ph: +36 (0) 1 47 48 100

Singapore
ph: +65 6877 8737

Spain
ph: +34 91 633 9990

United Arab Emirates
ph: +971 4 3206688

United Kingdom
ph: +44 (0) 118 977 8000

United States (Arizona)
ph: 602 943 5700

United States (New York)
ph: 646 779 2014

Independant sales consultant offices

Italy
ph: +39 (0) 2 9902 1161



For the most current technical documentation, visit www.christiedigital.com.

