

Widen a Cathode Clamp Instruction Sheet

The installation of Ushio CDXL lamps in Christie Digital projectors can be difficult when the cathode clamp is compressed by over tightening on these projector models:

- CP2220
- CP4230
- D4K3530
- CP2000-SB
- CP2230
- D4K2530
- D4K3560
- CP2000-ZX
- CP4220
- D4K2560
- CP2000-H

This document provides a procedure for widening the clamp to allow the installation of CDXL lamps.

Safety Precautions



Failure to comply with these statements results in death or serious injury:

- **ELECTRICAL SHOCK HAZARD!** Always turn off, disconnect, and disengage all power sources to the projector before servicing.
- Lamp replacement must be performed by a qualified service technician.
- **EXPLOSION HAZARD!** Wear authorized protective clothing whenever the lamp door is open and when handling the lamp. Never twist or bend the quartz lamp body. Use the correct wattage lamp supplied by Christie.
- Ensure those within the vicinity of the projector are also wearing protective safety clothing including a full face shield, Kevlar gloves, and a ballistic nylon jacket.
- Never attempt to remove the lamp when it is hot. The lamp is under pressure when hot and may explode, causing personal injury, death, or property damage. Allow the lamp to cool completely before replacing it.



Improper installation of the lamp can damage the projector. Failure to comply could result in death or serious injury.



Only Christie accredited service technicians are permitted to open any enclosure on the projector and only if the AC power has been fully disconnected. Failure to comply could result in minor or moderate injury.

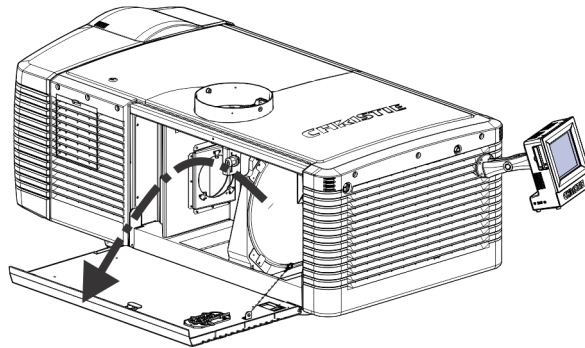
Prerequisites

- 1/8" Allen key
- Christie protective safety clothing (P/N: 598900-95) or equivalent
- Large flathead screwdriver
- Protective lamp case

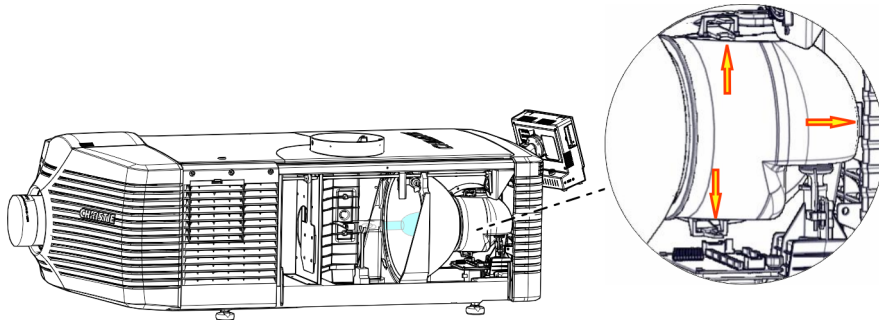
Remove the Lamp

This procedure describes the removal of the lamp from a Christie CP4230 projector. For removal instructions that are specific to your projector model, see the projector Service Manual.

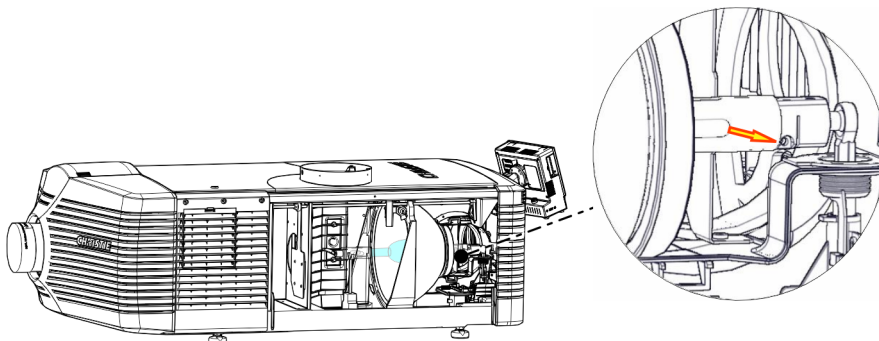
1. Turn the lamp off and cool the projector for at least 15 minutes.
2. Turn the projector off and disconnect it from AC power.
3. Put on your protective clothing and face shield.
4. Unlock and open the lamp door.



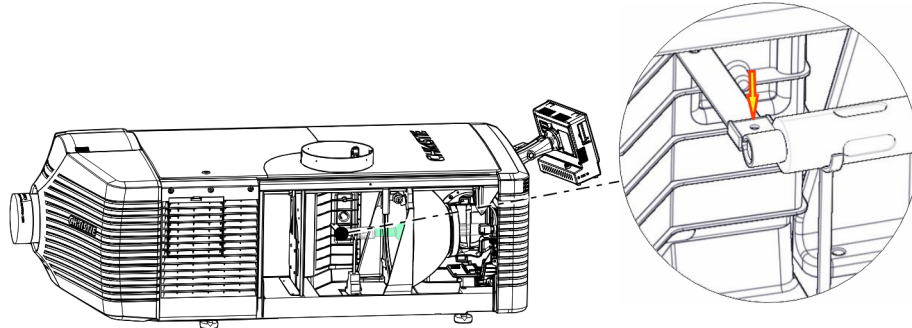
5. Undo the three clips on the cathode lamp duct and remove the duct.



6. Loosen the cathode screw on the cathode clamp.



- Loosen the anode clamp screw and remove the clamp from the lamp.



- Hold the anode end of the lamp with your left hand and carefully unscrew and remove the cathode nut with your right hand.
- Unscrew the lamp from the cathode clamp.
- Hold the anode end of the lamp and carefully guide the lamp through the reflector without contacting the reflector.
- With your right hand, guide the cathode end out of the reflector, on an angle, through the lamp access door.
- Open a protective lamp case and place the lamp into the case. Thread the cathode nut onto the lamp, close the protective case, and place the case in a location where it cannot fall or be bumped.

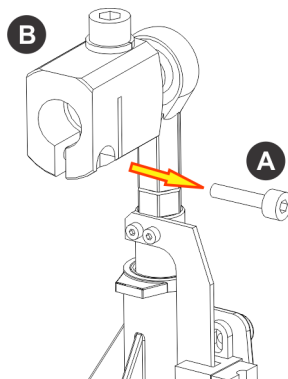


WARNING Handle the protective case carefully. The lamp is hazardous even when it is enclosed in a protective case. Failure to comply could result in death or serious injury.

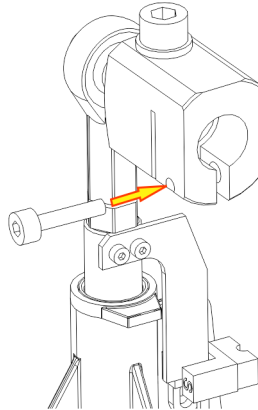
- Remove your protective clothing and face shield.

Widen the Cathode Clamp

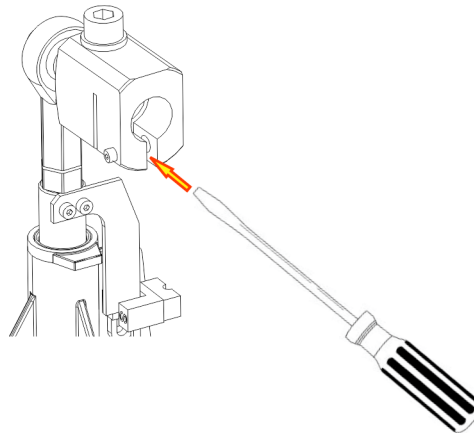
- Inspect the cathode clamp for damage.
If the cathode clamp is damaged, contact Christie Digital and request a replacement.
- Reach into the projector and remove the cathode screw (A) from the cathode clamp (B) with a 1/8" Allen key.



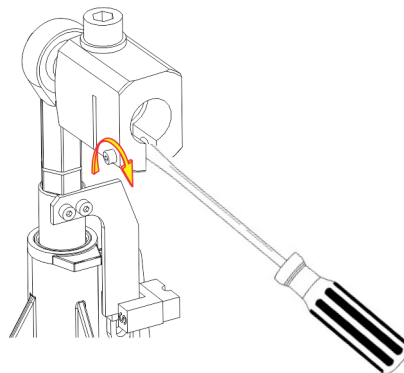
3. Insert and tighten the cathode screw into the opposite side of the cathode clamp.



4. Insert the flat portion of a large flathead screwdriver into the cathode clamp so it fits behind the cathode screw.



5. Hold the screwdriver in position and tighten the cathode screw against the screwdriver with a 1/8" Allen key until the cathode clamp widens enough to allow the installation of a CDXL lamp.



6. Remove the cathode screw and reinstall it in its original location.

Reinstall the Lamp

⚠ CAUTION

Failure to comply with these statements could result in minor or moderate injury:

- Handle the lamp by the cathode or anode end shafts only, never the glass.
- Do not over-tighten the lamp.
- Do not stress the glass in any way.
- Check the leads and make sure the anode (+) lead between the lamp and igniter is well away from any projector metal, such as the reflector or fire wall.

1. Put on your protective clothing and face shield.
2. Remove the cathode nut from the lamp before removing it from the protective case.
3. Remove the lamp from the protective lamp case.
4. Hold the anode end of the lamp in your left hand and angle it up through the hole in the back of the reflector assembly. Insert your right index and middle finger through the back of the reflector and guide the threaded end of the lamp into the cathode clamp. Be careful not to hit the lamp against the reflector
5. Thread on and hand-tighten the cathode nut. Ensure the smooth portion of the nut is against the cathode clamp.
6. Tighten the cathode screw.
7. Slide the anode clamp over the lamp and tighten the anode screw.
8. Replace the cathode lamp duct.
9. Close and lock the lamp door.
10. Remove your protective clothing.
11. Connect the projector to AC power and turn it on.

