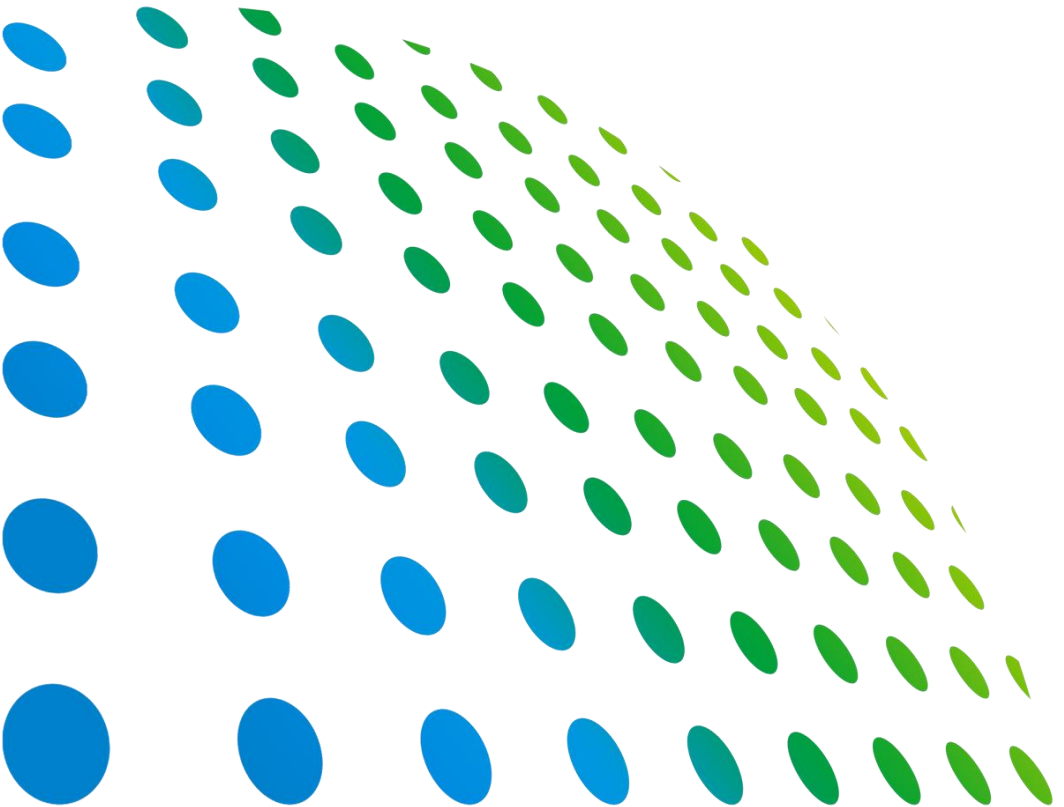




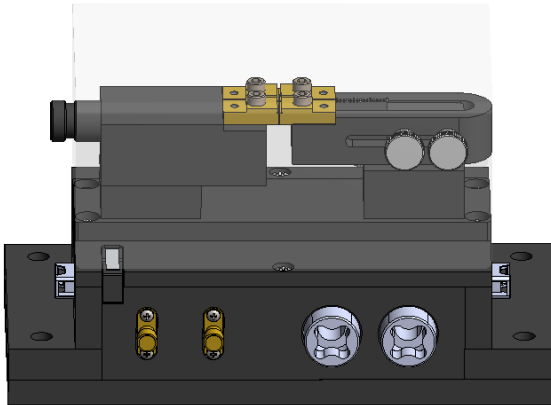
**19501 Series Fixture**  
**B195000/B195001/B195002**  
**Quick Start Guide**



Get more product & global distributor information in  
Chroma ATE APP



# 19501 Series Fixture B195000/B195001/B195002 Quick Start Guide



B195002

Version 1.0  
August 2021  
P/N A11-001465

# Legal Notices

The information in this document is subject to change without notice.

Chroma ATE INC. makes no warranty of any kind with regard to this manual, including, but not limited to, the implied warranties of merchantability and fitness for a particular purpose. Chroma ATE INC. shall not be held liable for errors contained herein or direct, indirect, special, incidental or consequential damages in connection with the furnishing, performance, or use of this material.

## **CHROMA ATE INC.**

88 Wenmao Rd., Guishan Dist., Taoyuan City 333001, Taiwan

Copyright Notices. Copyright 2021 Chroma ATE INC., all rights reserved. Reproduction, adaptation, or translation of this document without prior written permission is prohibited, except as allowed under the copyright laws.

# Warranty

All of Chroma's instruments are warranted against defects in material and workmanship for a period of one year from date of shipment. Chroma agrees to repair or replace any assembly or component found to be defective, under normal use during this period. Chroma's obligation under this warranty is limited solely to repairing any such instrument, which in Chroma's sole opinion proves to be defective within the scope of the warranty when returned to the factory or to an authorized service center. Purchaser is responsible for the shipping and cost of the service item to Chroma factory or service center. Shipment should not be made without prior authorization by Chroma.

This warranty does not apply to any products repaired or altered by persons not authorized by Chroma, or not in accordance with instructions furnished by Chroma. If the instrument is defective as a result of misuse, improper repair, or abnormal conditions or operations, repairs will be billed at cost.

Chroma assumes no responsibility for its product being used in a hazardous or dangerous manner either alone or in conjunction with other equipment. High voltage used in some instruments may be dangerous if misused. Special disclaimers apply to these instruments. Chroma assumes no liability for secondary charges or consequential damages and in any event, Chroma's liability for breach of warranty under any contract or otherwise, shall not exceed the purchase price of the specific instrument shipped and against which a claim is made.

Any recommendations made by Chroma regarding the use of its products are based upon tests believed to be reliable; Chroma makes no warranty of the results to be obtained. This warranty is in lieu of all other warranties, expressed or implied, and no representative or person is authorized to represent or assume for Chroma any liability in connection with the sale of our products other than set forth herein.

## **CHROMA ATE INC.**

88 Wenmao Rd., Guishan Dist.,

Taoyuan City 333001, Taiwan

Tel: 886-3-327-9999

Fax: 886-3-327-8898

e-mail: [info@chromaate.com](mailto:info@chromaate.com)

[www.chromaate.com](http://www.chromaate.com)

# Material Contents Declaration

The recycling label shown on the product indicates the Hazardous Substances contained in the product as the table listed below.



: See <Table 1>.



: See <Table 2>.

<Table 1>

Part Name	Hazardous Substances					
	Lead	Mercury	Cadmium	Hexavalent Chromium	Polybrominated Biphenyls/ Polybromodiphenyl Ethers	Selected Phthalates Group
	Pb	Hg	Cd	Cr <sup>6+</sup>	PBB/PBDE	DEHP/BBP/DBP/DIBP
PCBA	○	○	○	○	○	○
CHASSIS	○	○	○	○	○	○
ACCESSORY	○	○	○	○	○	○
PACKAGE	○	○	○	○	○	○

“○” indicates that the level of the specified chemical substance is less than the threshold level specified in the standards of SJ/T-11363-2006, EU Directive 2011/65/EU, and 2015/863/EU.

“x” indicates that the level of the specified chemical substance exceeds the threshold level specified in the standards of SJ/T-11363-2006, EU Directive 2011/65/EU, and 2015/863/EU.

Remarks:

1. The CE marking on product is a declaration of product compliance with EU Directive 2011/65/EU, and 2015/863/EU.
2. This product is complied with EU REACH regulation and no SVHC in use.

## Disposal

Do not dispose of electrical appliances as unsorted municipal waste, use separate collection facilities. Contact your local government for information regarding the collection systems available. If electrical appliances are disposed of in landfills or dumps, hazardous substances can leak into the groundwater and get into the food chain, damaging your health and well-being. When replacing old appliances with new one, the retailer is legally obligated to take back your old appliances for disposal at least for free of charge.



<Table 2>

Part Name	Hazardous Substances					
	Lead	Mercury	Cadmium	Hexavalent Chromium	Polybrominated Biphenyls/ Polybromodiphenyl Ethers	Selected Phthalates Group
	Pb	Hg	Cd	Cr <sup>6+</sup>	PBB/PBDE	DEHP/BBP/DBP/DIBP
PCBA	×	○	○	○	○	○
CHASSIS	×	○	○	○	○	○
ACCESSORY	×	○	○	○	○	○
PACKAGE	○	○	○	○	○	○

“○” indicates that the level of the specified chemical substance is less than the threshold level specified in the standards of SJ/T-11363-2006, EU Directive 2011/65/EU, and 2015/863/EU.

“×” indicates that the level of the specified chemical substance exceeds the threshold level specified in the standards of SJ/T-11363-2006, EU Directive 2011/65/EU, and 2015/863/EU.

1. Chroma is not fully transitioned to lead-free solder assembly at this moment; however, most of the components used are RoHS compliant.
2. The environment-friendly usage period of the product is assumed under the operating environment specified in each product's specification.
3. This product is complied with EU REACH regulation and no SVHC in use.

## Disposal

Do not dispose of electrical appliances as unsorted municipal waste, use separate collection facilities. Contact your local government for information regarding the collection systems available. If electrical appliances are disposed of in landfills or dumps, hazardous substances can leak into the groundwater and get into the food chain, damaging your health and well-being. When replacing old appliances with new one, the retailer is legally obligated to take back your old appliances for disposal at least for free of charge.



# Table of Contents

---

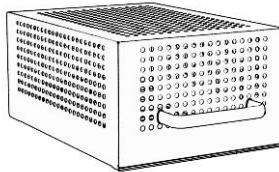
<b>1.</b>	<b>Overview .....</b>	<b>1</b>
<b>2.</b>	<b>B195001/B195002 Specification .....</b>	<b>2</b>
<b>3.</b>	<b>Using B195000 EMI Shielding Can .....</b>	<b>3</b>
3.1	Standard Item and Accessory .....	3
3.2	Installation .....	3
3.3	Outline and Dimension .....	7
<b>4.</b>	<b>Using B195001 HV Connection Adapter .....</b>	<b>9</b>
4.1	Standard Item and Accessory .....	9
4.2	Adapter Function and Installation .....	10
4.3	Outline and Dimension .....	12
<b>5.</b>	<b>Using B195002 DIP Test Fixture .....</b>	<b>13</b>
5.1	Standard Item and Accessory .....	13
5.2	Fixture Function and Installation .....	14
5.3	Operation .....	17
5.4	Outline and Dimension .....	20



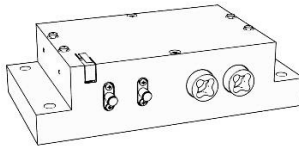
# 1. Overview

The B195000/B195001/B195002 are fixtures for the 19501 Series Partial Discharge Tester to use.

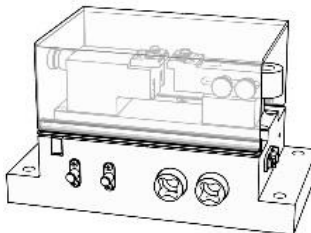
The B195000 is an EMI shielding can for the high voltage module of the 19501 series partial discharge tester to reduce the interference from outside.



The B195001 HV connection adapter provides 4 sets of output terminals for connecting the adapter cables.



The B195002 DIP test fixture provides connection to SMD DUT for testing.



## 2. B195001/B195002 Specification

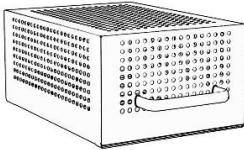
■ 19501 Series Fixture		
□ Model	B195001	B195002
□ Maximum Operating Voltage ( <b>Note</b> )	10.00kV	
□ Protection	N/A	Cover with Interlock software
□ DUT Dimension ( Row Spacing)	N/A	Max.18mm
□ Dimension (WxHxD)	165.00mm*84.00mm*43.20mm	165.00mm*84.00mm*97.20mm
□ Weight	Approx. 0.43kg	Approx. 0.75kg

**Note:** Partial discharge test value: B195001 @5kV<1pC, B195002 @4kV<1pC

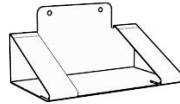
## 3. Using B195000 EMI Shielding Can

### 3.1 Standard Item and Accessory

#### Standard Item



EMI Shielding Can for Partial Discharge Tester



Partial Discharge Tester Supporter

#### Standard Accessory (Wire & Screw)



Green and yellow twisted ground wire  
L:100mm  
1pcs



Cover fixed screw  
M4\*8mm  
2pcs

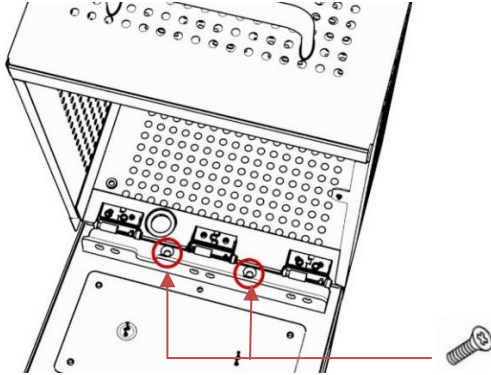


Cover ground screw  
M4\*8mm  
1pcs

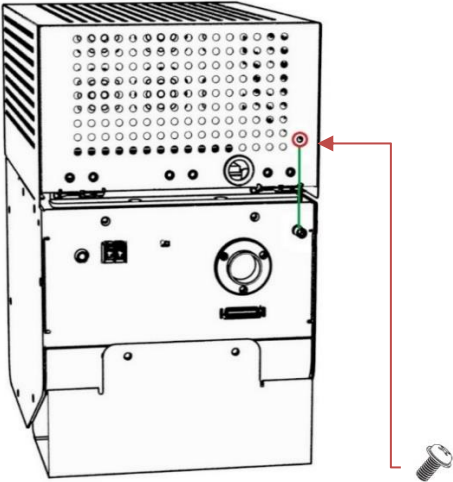
**Note** : Please specify the name when an additional item is required.

### 3.2 Installation

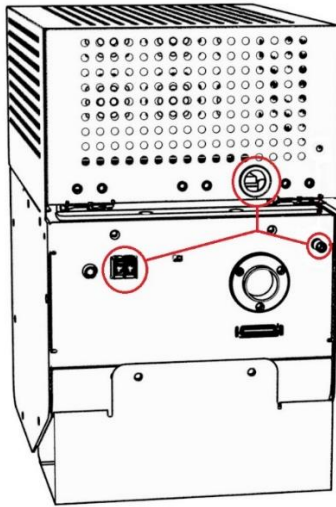
To install the EMI shielding can on the high voltage module of 19501 series partial discharge tester, use the shielding can fixed screws (M4\*8 umbrella head) came along with the fixture to secure it as the figure shown below.



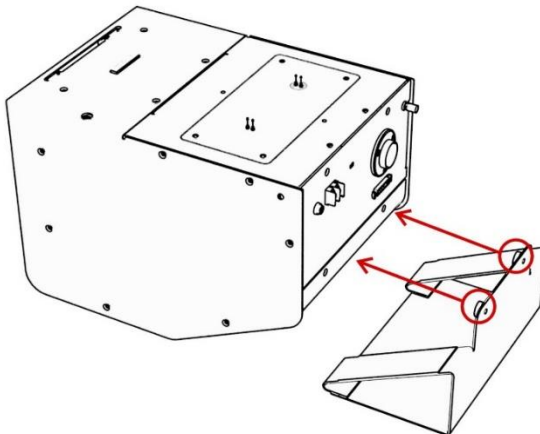
A ground wire is required to connect the EMI shielding can and the high voltage module of the 19501 series partial discharge tester. Please use the ground wire and shielding can ground screw (M4\*8 round head) to fix them. The location and fixing method are shown in the figure below.



When the high voltage module of the 19501 series partial discharge tester is installed with the EMI shielding can and B195001 or B195002 fixture, the B195001/ B195002 fixture ground wire and interlock connecting cable should pass through the position of circled holes in the following figure for connection.

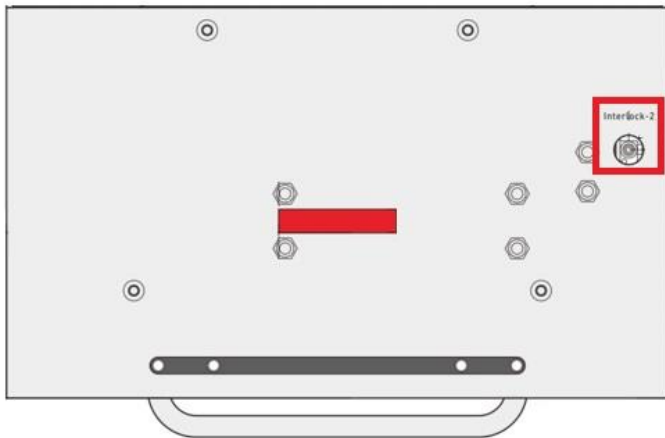
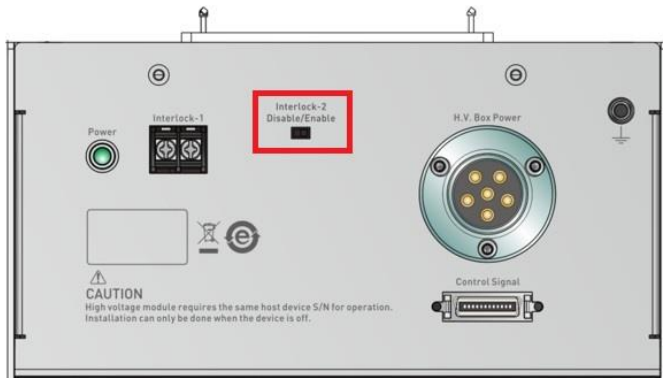


The high voltage module supporter is used to prevent the module from vibration during testing. The supporter has magnets for fixation. Follow the arrows shown in the figure below to fix the supporter.

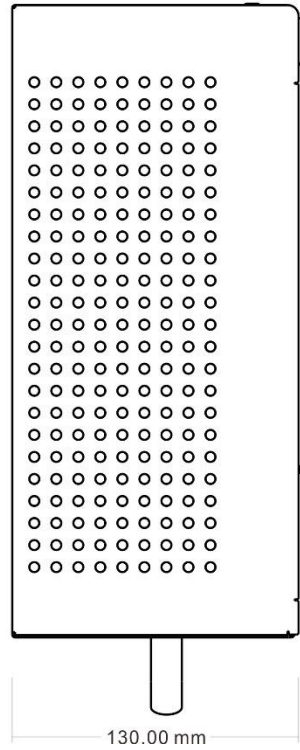
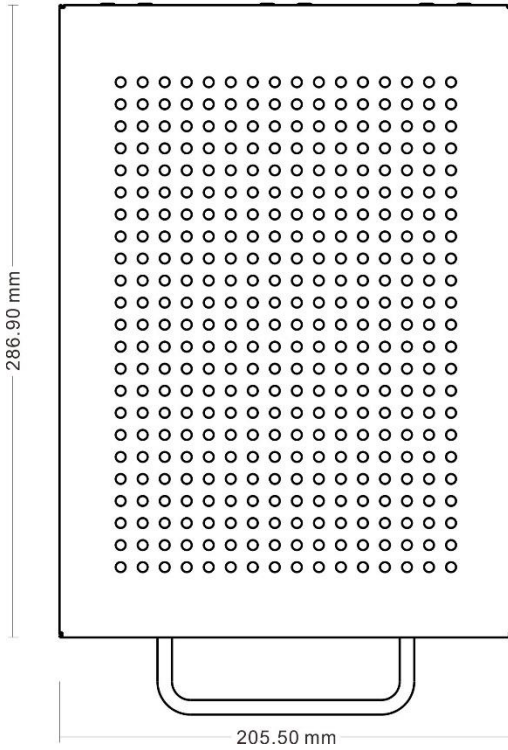
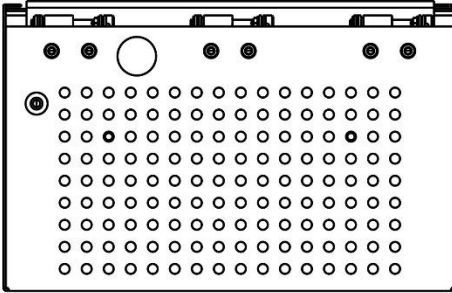


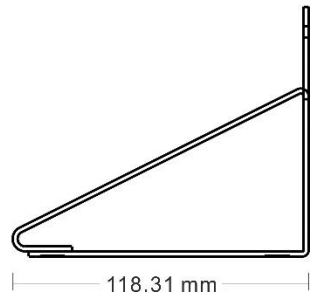
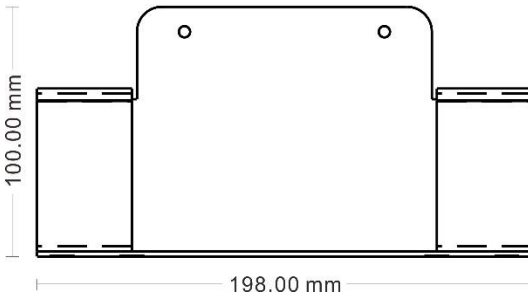
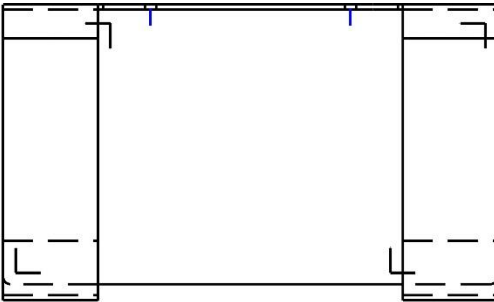
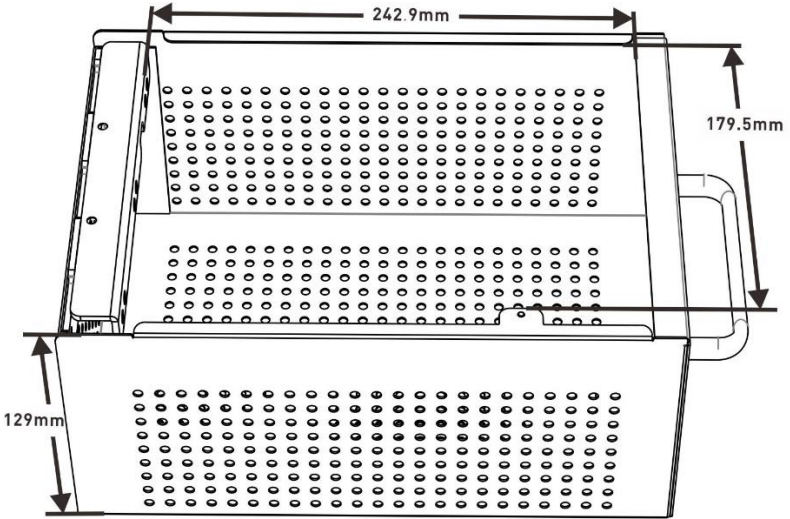
**Note** ■ When the high voltage module of the partial discharge tester is installed with an EMI shielding can and set the INTERLOCK-2 to **ENABLE**, besides short-circuiting the two terminals of INTERLOCK-1 during high voltage output, the INTERLOCK-2 switch must be pressed

at the same time to output high voltage. The INTERLOCK-2 pressing signal will not be detected when set to **DISABLE**.



### 3.3 Outline and Dimension



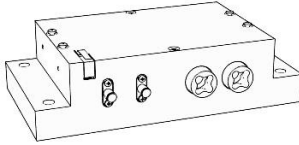




## 4. Using B195001 HV Connection Adapter

### 4.1 Standard Item and Accessory

#### Standard Item



B195001 HV Connection Adapter

#### Standard Accessory (Cable & Screw)



HV terminal test cable  
(Alligator clip)  
L:50cm  
1pcs



HV terminal test cable  
(Bare wire)  
L:50cm  
2pcs



Low terminal test cable  
(Alligator clip)  
L:50cm  
1pcs



Low terminal test cable  
(Bare wire)  
L:50cm  
2pcs



Green and yellow twisted ground wire  
L:100mm  
1pcs

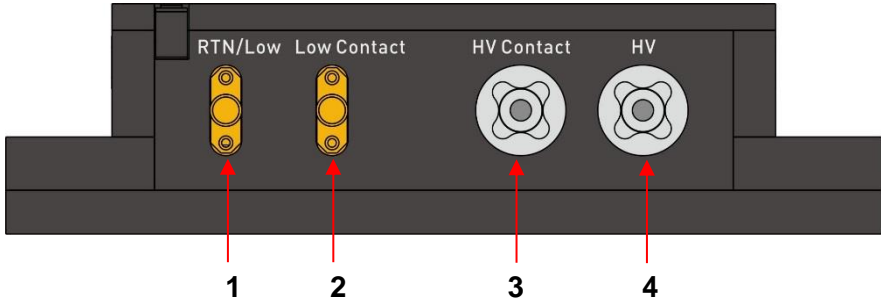


Fixed screw  
M3\*20  
4pcs

**Note** : Please specify the name when an additional item is required.

## 4.2 Adapter Function and Installation

The functions of the B195001 front terminals are shown in the figure below.



- (1) RTN/Low** : This terminal connects to the RTN/LOW terminal on the high voltage module of the 19501 partial discharge tester, which is a low potential terminal. This terminal is almost equal to the ground terminal on the chassis.
- (2) Low Contact** : This terminal connects to the HVCC-RTN terminal on the high voltage module of the 19501 partial discharge tester.
- (3) HV Contact** : This terminal connects to the HVCC-HV terminal on the high voltage module of the 19501 partial discharge tester.
- (4) HV** : This terminal connects to the HV terminal on the high voltage module of the 19501 partial discharge tester. Do not touch during testing and when the DANGER light is on.

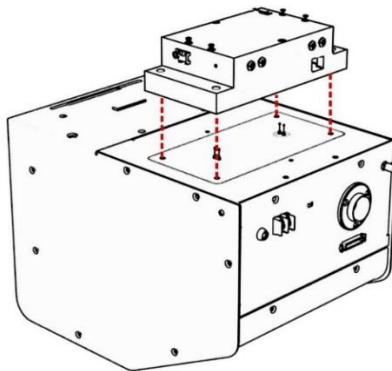
The functions of the B195001 rear terminals are shown in the figure below.



- (1) **Interlock** : This terminal is reserved for B195002 fixture, and it is invalid to use it on the B195001.
- (2) **GND** : Please use the enclosed ground wire to connect the GND terminal on the high voltage module of the 19501 partial discharge tester.

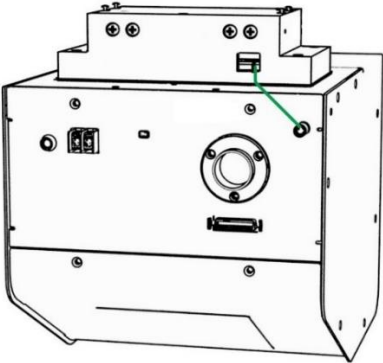
The installation of B195001 adapter is shown in the figure below:

Use the enclosed M3\*20 screws to secure the B195001 adapter on the high voltage module of the 19501 series partial discharge tester. The direction and holes position are shown in the figure below.

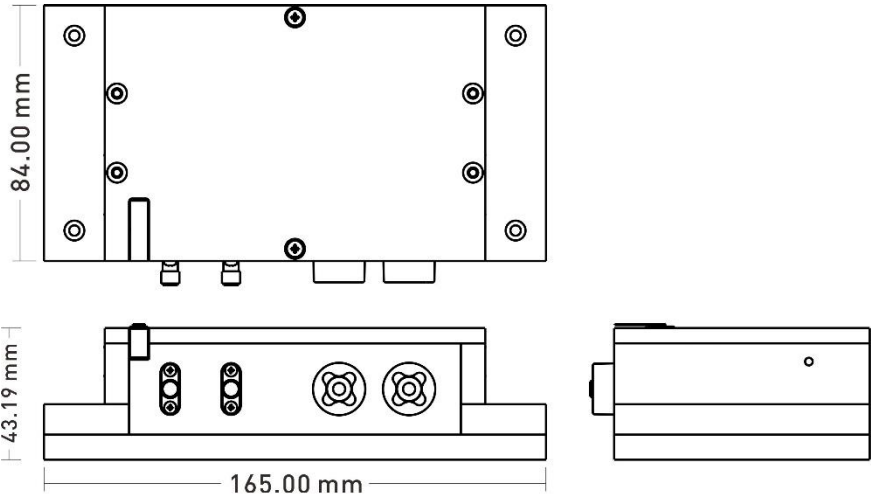


**Note** : When securing a fixed screw, please note that the screw torque range is 4.5~5.5kg.

Use the enclosed wire to connect the B195001 rear terminal to the GND terminal on the high voltage module of the 19501 as the figure shown below.



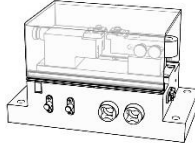
### 4.3 Outline and Dimension



## 5. Using B195002 DIP Test Fixture

### 5.1 Standard Item and Accessory

#### Standard Item



B195002 DIP Test Fixture

#### Standard Accessory (Wire & Screw)



Interlock &  
ground wire  
L:220mm  
1pcs

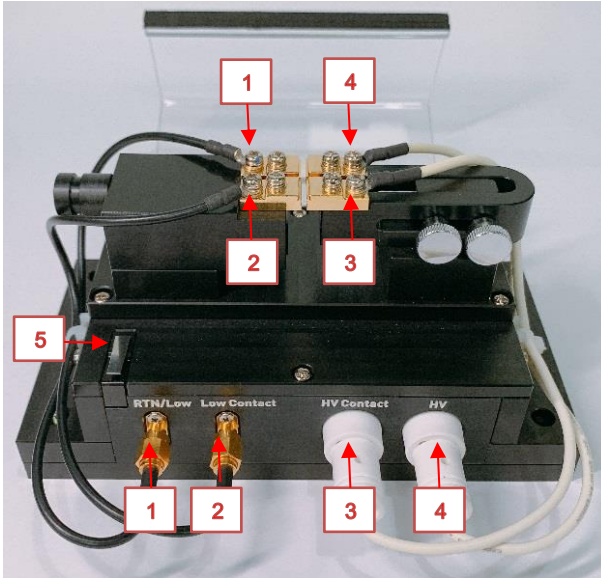


Fixed screw  
M3\*20  
4pcs

**Note** : Please specify the name when an additional item is required.

## 5.2 Fixture Function and Installation

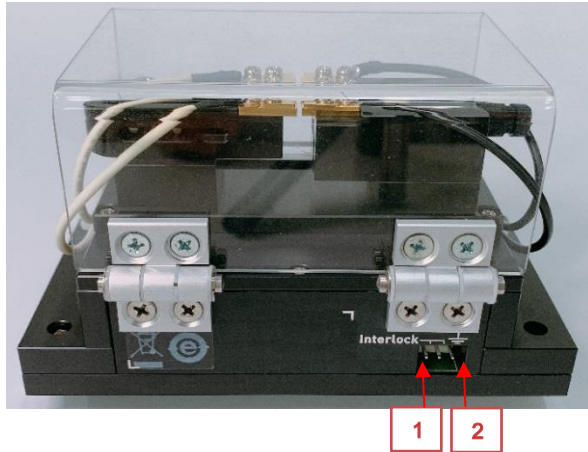
The functions of the B195002 front terminals are shown in the figure below.



- (1) **RTN/Low** : This terminal connects to the RTN/LOW terminal on the high voltage module of the 19501 partial discharge tester, which is a low potential terminal. This terminal is almost equal to the ground terminal on the chassis.
- (2) **Low Contact** : This terminal connects to the HVCC-RTN terminal on the high voltage module of the 19501 partial discharge tester.
- (3) **HV Contact** : This terminal connects to the HVCC-HV terminal on the high voltage module of the 19501 partial discharge tester.
- (4) **HV** : This terminal connects to the HV terminal on the high voltage module of the 19501 partial discharge tester. Do not touch during testing and when the DANGER light is on.
- (5) **Micro switch** : This switch connects to the Interlock terminal on the fixture rear side. When the acrylic

cover is closed, the Interlock terminal will be short-circuited.

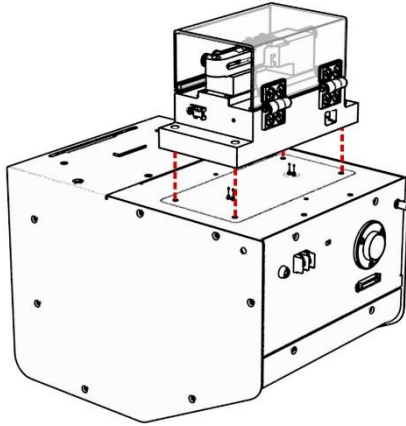
The functions of the B195002 rear terminals are shown in the figure below.



- (1) Interlock** : Please use the enclosed wire to connect to the Interlock terminal on the high-voltage module of the 19501 partial discharge tester. The test starts only when the acrylic cover is closed making the micro switch short-circuit.
- (2) GND** : Please use the enclosed ground wire to connect the GND terminal on the high voltage module of the 19501 partial discharge tester.

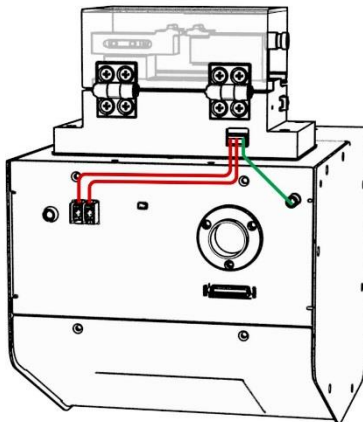
The installation of B195002 DIP test fixture on the 19501 partial discharge tester is shown in the figure below:

Use the enclosed M3\*20mm screws to secure the B195002 test fixture on the high voltage module of the 19501 partial discharge tester. The direction and holes position are shown in the figure below.



**Note** ■ ■ ■ When securing a fixed screw, please note that the screw torque range is 4.5~5.5kg.

Use the enclosed wire to connect the B195002 rear terminal to the GND and Interlock terminal on the high voltage module of the 19501 partial discharge tester as the figure shown below.



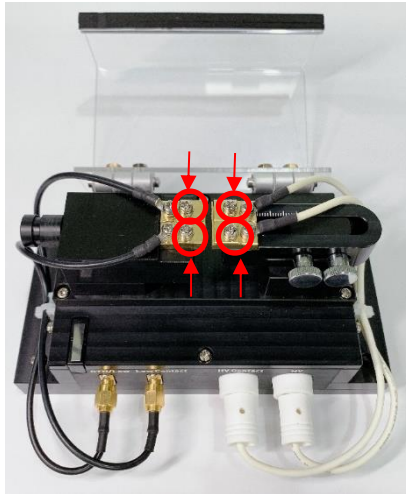
**Note** ■ ■ ■ When connecting the B195002 fixture wire to the Interlock terminal on the high-voltage module, be sure to remove the short circuit pin on the Interlock terminal of the original high voltage module first.



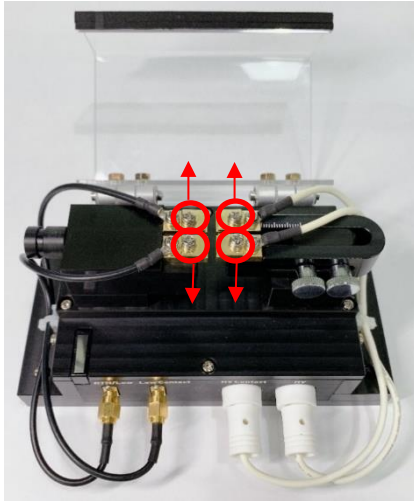
## 5.3 Operation

The operation and use of B195002 fixture is described as follows:

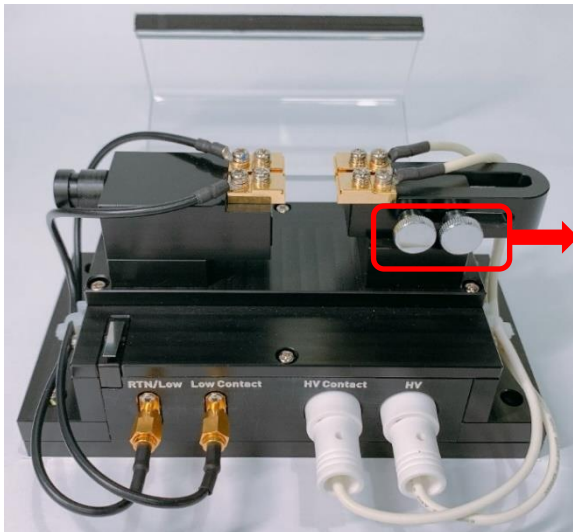
- A. The 4 screws marked in the figure below can move up and down. If HVCC (high voltage contact check) is not required, adjust the screws to combine the upper and lower copper blocks.



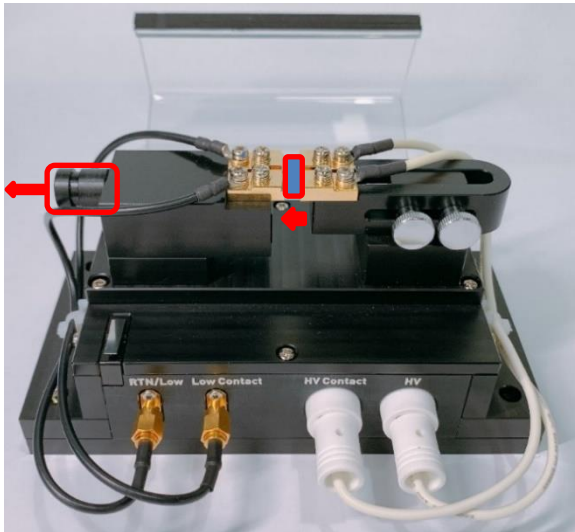
If HVCC (high voltage contact check) is required, adjust the screws separate the upper and lower copper blocks.



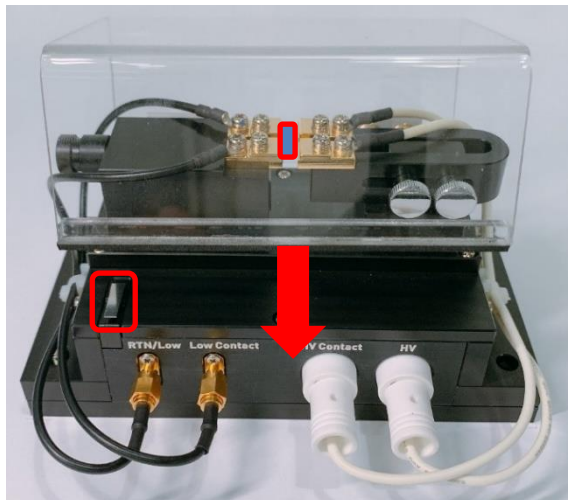
- B. Loosen the marked two knobs to move the fixture slider to the right and then fix it. Adjust the distance that is suitable for fixing the DUT.



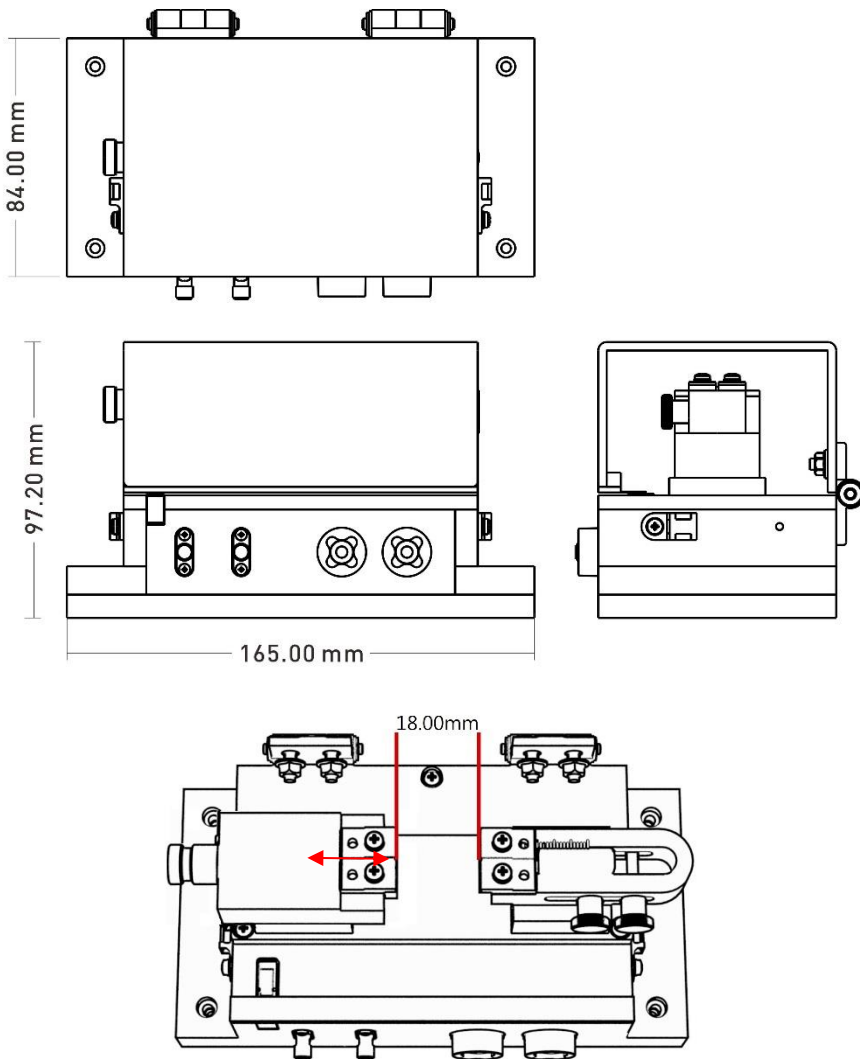
- C. Pull the left slider on the fixture to put the DUT in and make sure that the DUT is in good contact with the fixture.

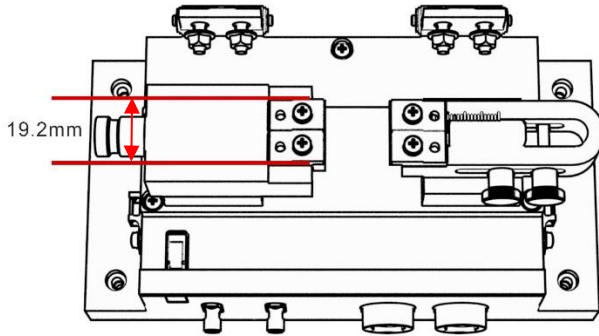


- D. Close the acrylic cover and make sure that the micro switch of Interlock is short-circuited to start the test.



## 5.4 Outline and Dimension







CHROMA ATE INC.  
info@chromaate.com  
[www.chromaate.com](http://www.chromaate.com)