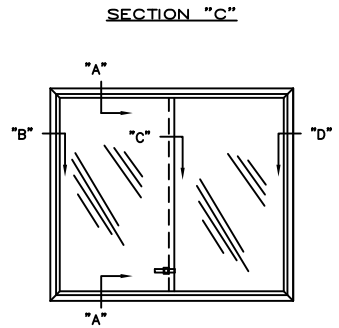
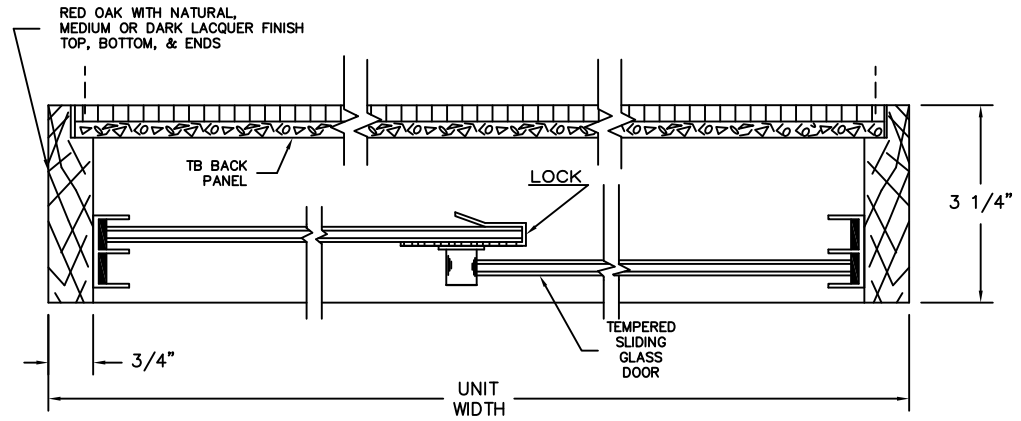
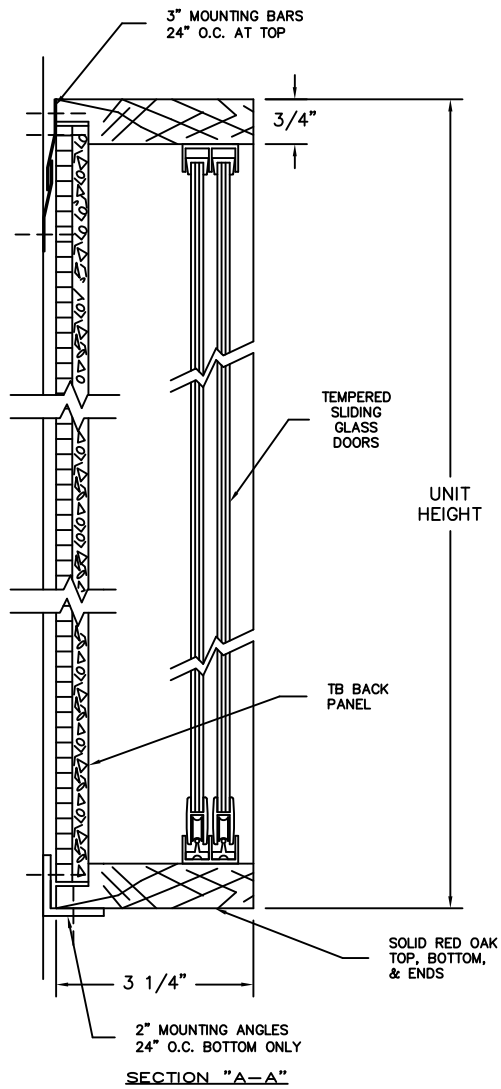


**CLARIDGE #310 SERIES
WOOD FRAMED BULLETIN
BOARD CABINETS**



NO.	SIZE H-W
310	36 3/16" X 48"
310A	36 3/16" X 60"
310B	36 3/16" X 72"
310C	48 3/16" X 60"
310D	48 3/16" X 72"