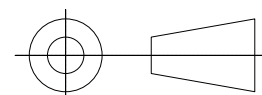


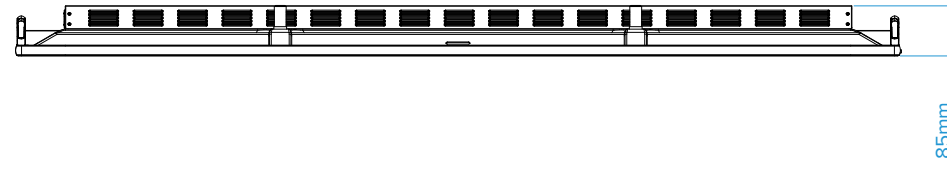
TOLERANCES (Unless otherwise stated)

Decimals	Angles ($\pm 0.2^\circ$)
$\leq 63\text{mm}$	± 0.10
$63 < x \leq 160\text{mm}$	± 0.15
$160 < x \leq 400\text{mm}$	± 0.20
$400 < x \leq 1000\text{mm}$	± 0.25
$> 1000\text{mm}$	± 0.3
Angle	$\pm 0.3'$

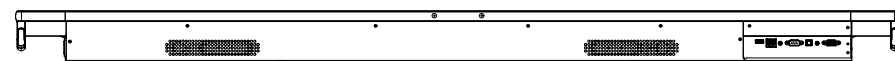
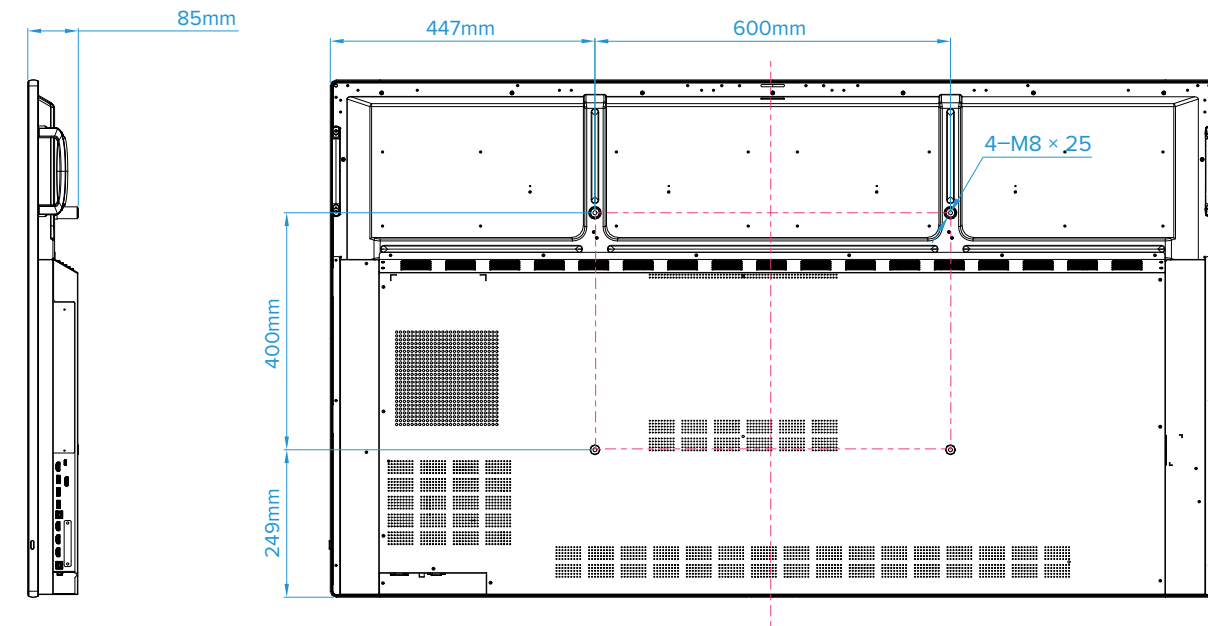
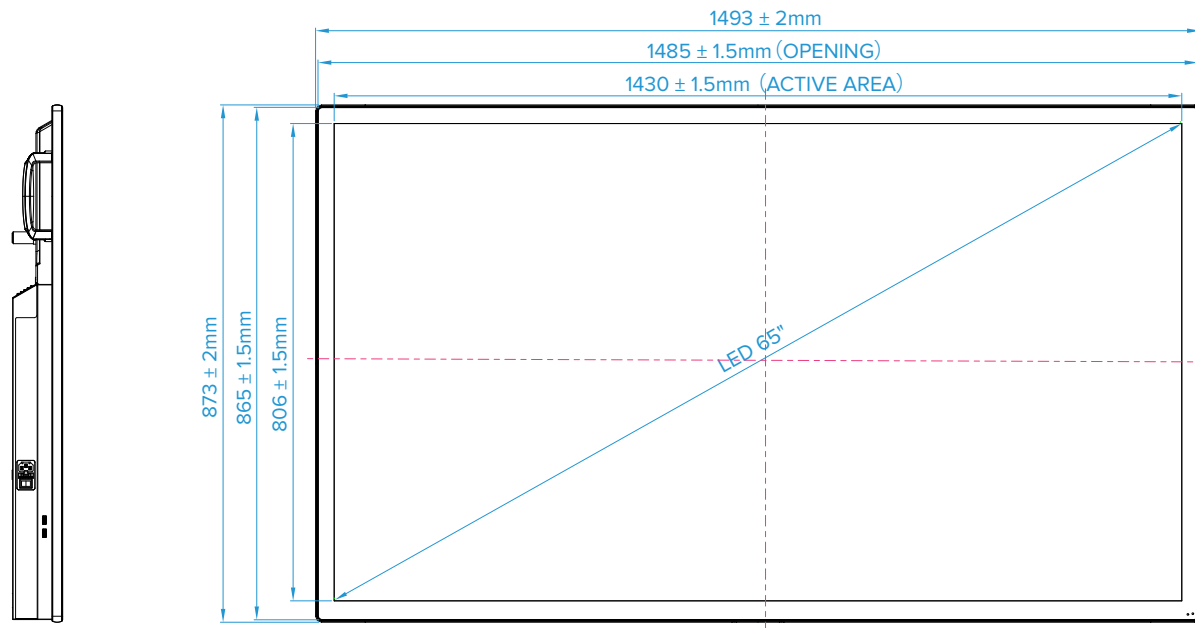
THIRD ANGLE PROJECTION



Model No.	7065XE	Scale	1:1	Notes:
Part No.	CTI-7065XE-UH20	Rev.	1.0	
Part Name	6-View Drawing	Size	Free	
Unit	in	Sheet	1/1	
Material		Chk'd		
Surface		App'd		
Drawn				



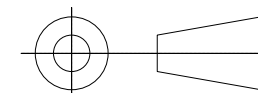
85mm



TOLERANCES (Unless otherwise stated)

Decimals	Angles ($\pm 0.2^\circ$)
$\leq 63\text{mm}$	± 0.10
$63 < x \leq 160\text{mm}$	± 0.15
$160 < x \leq 400\text{mm}$	± 0.20
$400 < x \leq 1000\text{mm}$	± 0.25
$> 1000\text{mm}$	± 0.3
Angle	$\pm 0.3'$

THIRD ANGLE PROJECTION



Model No.	7065XE	Scale	1:1	Notes:
Part No.	CTI-7065XE-UH20	Rev.	1.0	
Part Name	6-View Drawing	Size	Free	
Unit	mm	Sheet	1/1	
Material		Chk'd		
Surface		App'd		
Drawn				