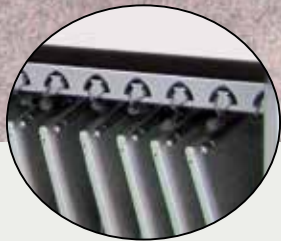


Touchboards

205 Westwood Ave, Long Branch, NJ 07740
Phone: 866-94 BOARDS (26273) / (732)-222-1511
Fax: (732)-222-7088 | E-mail: sales@touchboards.com



Cloud 32 Chromebook Cart™

Searching for a Chromebook cart that won't leave you feeling grounded? Make the move to Spectrum's Cloud 32 Chromebook Cart for effortless – and cost effective – storage and charging. Much like the Chromebook, the Cloud 32 makes managing mobile devices easy and stress-free. Built-in cable holders offer simple and effective cord management, while the exclusive storage platform brings unprecedented ventilation for hot AC adapters. With individual bays sized specifically for 32 Chromebooks and protected by a custom double bolt lock, the Cloud 32 is absolutely the best storage and charging solution available.

Making the move to Chromebooks brings a sigh of relief to mobile device management. Using Spectrum's Cloud 32 for Chromebook storage and charging will put you on Cloud 9!

- 55465 WFSBW** (with rear door and balloon wheel)
- 55465 WFSTW** (with rear door and twin wheel)
- 55466 WFSBW** (with rear panel and balloon wheel)
- 55466 WFSTW** (with rear panel and twin wheel)

NEW Cloud 32 Chromebook Cart™



55465 WFSBW
Cloud 32 Chromebook Cart showing recharging plug hooks directly above each Chromebook



55465 WFSBW
Cloud 32 Chromebook Cart showing Rear Door & Balloon Wheel

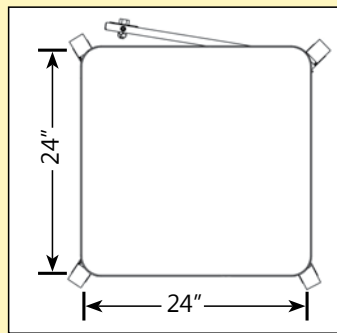


Advantages:

- ▲ The Cloud 32 Chromebook Cart is designed specifically to manage up to 32 Chromebooks
- ▲ Easy to access cord management front and rear
- ▲ Fits most current chromebook models and power supplies
- ▲ Unique power brick/cord management system allows for better ventilation and longer product life
- ▲ Choice of locking back door or removable solid back panel
- ▲ Choice of Balloon Wheel or Twin Wheel
- ▲ One handle is included
- ▲ Slotted chimney effect ventilation



The Cloud 32 Chromebook Cart has a very unique wire management system that places the chargers in the back and the recharging plugs directly above each unit



Small footprint, but big impression. This cart is easy to use, easy to wire, and very easy to move.

Customer Preferred Options:



99035 Value Cycle Timer
This timer will allow the cycling of power to two banks of laptops to control length and frequency of charge

Product information:

Cloud 32 Chromebook Cart Dimensions:

Overall: (Height is to worksurface)

Balloon Wheel
24"W x 24"D x 46"H

Twin Wheel
24"W x 24"D x 43¹/₈"H

Chromebook slot:
1³/₄"W (slot width)
13³/₄"D (front to back)
10¹/₂"H (top to bottom)



The Cloud 32 can manage up to 32 Chromebooks

Complete specs on our site
www.spectrumfurniture.com

Standard color combination:



Caster choices:



Balloon wheel (BW) Twin wheel caster (TW)

SPECTRUM
INDUSTRIES INC.
www.spectrumfurniture.com

(800) 235 - 1262
(715) 723 - 6750

