

Features

- Frequency range of 150 kHz to 250 MHz
- Suitable for IEC-61000-4-6 testing
- Automated test software
- Test level calibration accessories included
- CISPR 16 compliant CDNs



Description

The Com-Power CIS series of Conducted immunity system specifically geared for use in IEC 61000-4-6 immunity testing using coupling decoupling networks (CDN). The system can be customized include the CDNs to fit your application at the time of purchase.

The CIS-series systems test systems are configured to perform conducted immunity testing according to IEC 61000-4-6. The system includes ACS series power amplifier, Coupling Decoupling Network (CDN), directional couplers, attenuators, cables and CSAT software. These systems when properly configured are capable of testing your products to the all levels given in IEC 61000-4-6 up to 230 MHz.

Before you begin testing with the CDN you will need to establish a calibrated drive levels corresponding to the test levels. Accessories such as ADA-515, TEP-050 and ADA-xx shorting adapters are needed for calibration is included with each system. When used with compatible signal generator and spectrum analyzer and the CSAT test software can fully automate this calibration and also perform the test. All Com-Power CDNs are calibrated to meet the latest CISPR 16 test standards.

Application

The required test levels per IEC 61000-4-6 (given in the table below) that can be achieved using the ASC series power when properly configured with a compliant coupling decoupling network from Com-Power or another manufacturer. Please refer to IEC 61000-4-6 for information on test setup, procedures and test accessories needed.

Test Level Volts (V_o)	umr (150) Volts	umr (150) Volts (dBm)
1	0.167	-2.5
2	0.5	7
3	1.67	17.5

V_o = Open circuit voltage in 150Ω system.

umr = Voltage level measured at the output of the 150Ω to 50Ω adapter (ADA-515).

The IEC-61000-4-6 requires that an appropriate coupling decoupling networks (CDN) with defined common mode impedance be used for coupling and/or decoupling purposes on any type of power or I/O interface for which a CDN is suitable and available. Com-Power has a wide selection of CDNs. Please call Com-Power if you need assistance.

Specifications

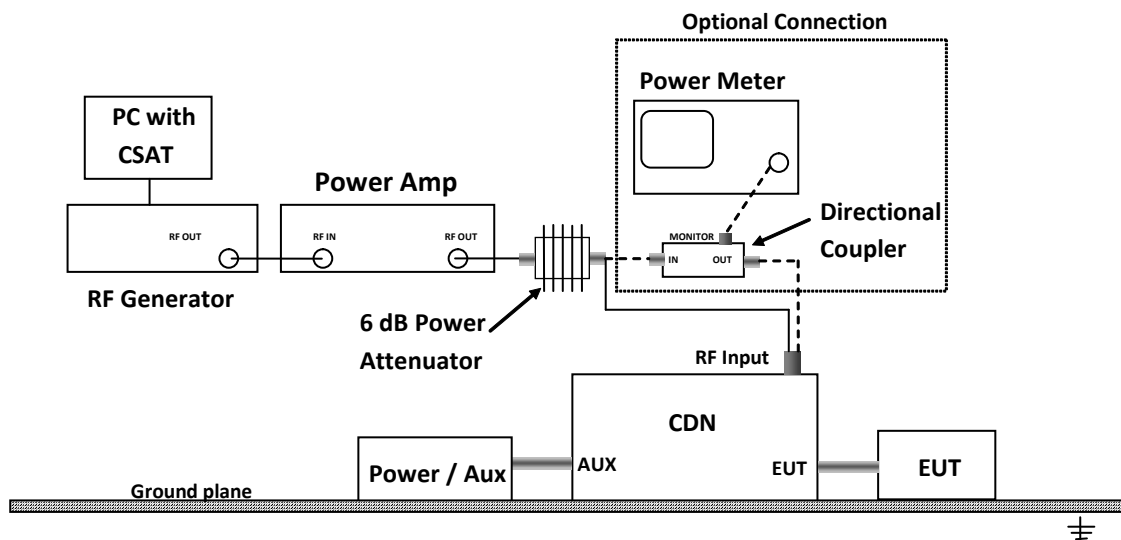
Description	CIS-25	CIS-50	CIS-100
RF Power Amplifier	ACS-230-25W	ACS-230-50W	ACS-250-100W
Coupling Decoupling Networks (CDN)*	CDN-xx	CDN-xx	CDN-xx
Directional Coupler	DCD-1000-100W	DCD-1000-100W	DCD-1000-100W
Shorting Adapter*	ADA-xx	ADA-xx	ADA-xx
Attenuator	ATTN-6-100W	ATTN-6-100W	ATTN-6-100W
Attenuator	ATTN-30-100W	ATTN-30-100W	ATTN-30-100W
Software	CSAT 2.xx	CSAT 2. xx	CSAT 2.xx
Cable set	CIS-CB4	CIS-CB4	CIS-CB4

*These are items (models) will determined at the time of purchase. System can be customized to fit individual requirement. The system price will vary based on the final configuration.

Below is a list of optional items not included, but can be packaged with system using third party equipment at end user's request. Please call us if you need assistance.

- Signal Generator
- Power Meter
- Spectrum Analyzer
- GPIB to USB adapter for PC connection

Typical Test Setup



All values are typical values unless specified.
Specifications are subject to change without notice.

Rev. D08.15